



US00D608112S

(12) **United States Design Patent**  
**Eilmus**

(10) **Patent No.:** **US D608,112 S**  
(45) **Date of Patent:** **\*\* Jan. 19, 2010**

(54) **STORAGE RACK**

(75) Inventor: **Niels J. Eilmus**, Sheboygan, WI (US)

(73) Assignee: **Kohler Co.**, Kohler, WI (US)

(\*\*) Term: **14 Years**

(21) Appl. No.: **29/336,328**

(22) Filed: **Apr. 30, 2009**

(51) **LOC (9) Cl.** ..... **06-04**

(52) **U.S. Cl.** ..... **D6/462**

(58) **Field of Classification Search** ..... D6/458,  
D6/466, 457, 449, 396; 211/106, 119, 126.9,  
211/41.4, 96, 88.01, 59.1, 90.01, 133.2, 90.03,  
211/181.1; 248/220.42, 243; 108/163

See application file for complete search history.

(56) **References Cited**

**U.S. PATENT DOCUMENTS**

1,318,250	A *	10/1919	Winzeler	.....	211/96
1,706,081	A *	3/1929	Schulze	.....	211/106
2,672,988	A *	3/1954	Johnson	.....	211/88.01
3,295,471	A *	1/1967	Cook	.....	108/163
3,627,247	A *	12/1971	Krikorian	.....	248/243
5,038,943	A *	8/1991	Reinke	.....	211/59.1
5,397,087	A *	3/1995	Teece	.....	248/220.42
5,588,543	A *	12/1996	Finger	.....	211/90.01
6,431,377	B1 *	8/2002	Lechman	.....	211/133.2
7,314,143	B1 *	1/2008	Johnson	.....	211/106

**OTHER PUBLICATIONS**

Yimg. Bathroom accessory hanging wire shelving.  
Hafele. "Chrome Storage Baskets w/Full Extension Slides". Model  
Nos. HA-540-25.203-207. KitchenSource.com online catalog.  
Copyright 1996-2009.

\* cited by examiner

*Primary Examiner*—Caron Veynar

*Assistant Examiner*—Sydney R Buffalow

(74) *Attorney, Agent, or Firm*—Quarles & Brady LLP

(57) **CLAIM**

The ornamental design for a storage rack, as shown and  
described.

**DESCRIPTION**

In a preferred embodiment, the nature of this product is a  
storage rack suitable for storage of items, for example, stor-  
age of food preparation items under a kitchen sink.

FIG. 1 is a right, top, front, perspective view thereof of a  
storage rack embodying my new design;

FIG. 2 is a front elevational view thereof, the rear elevational  
view thereof being a mirror image of the front shown;

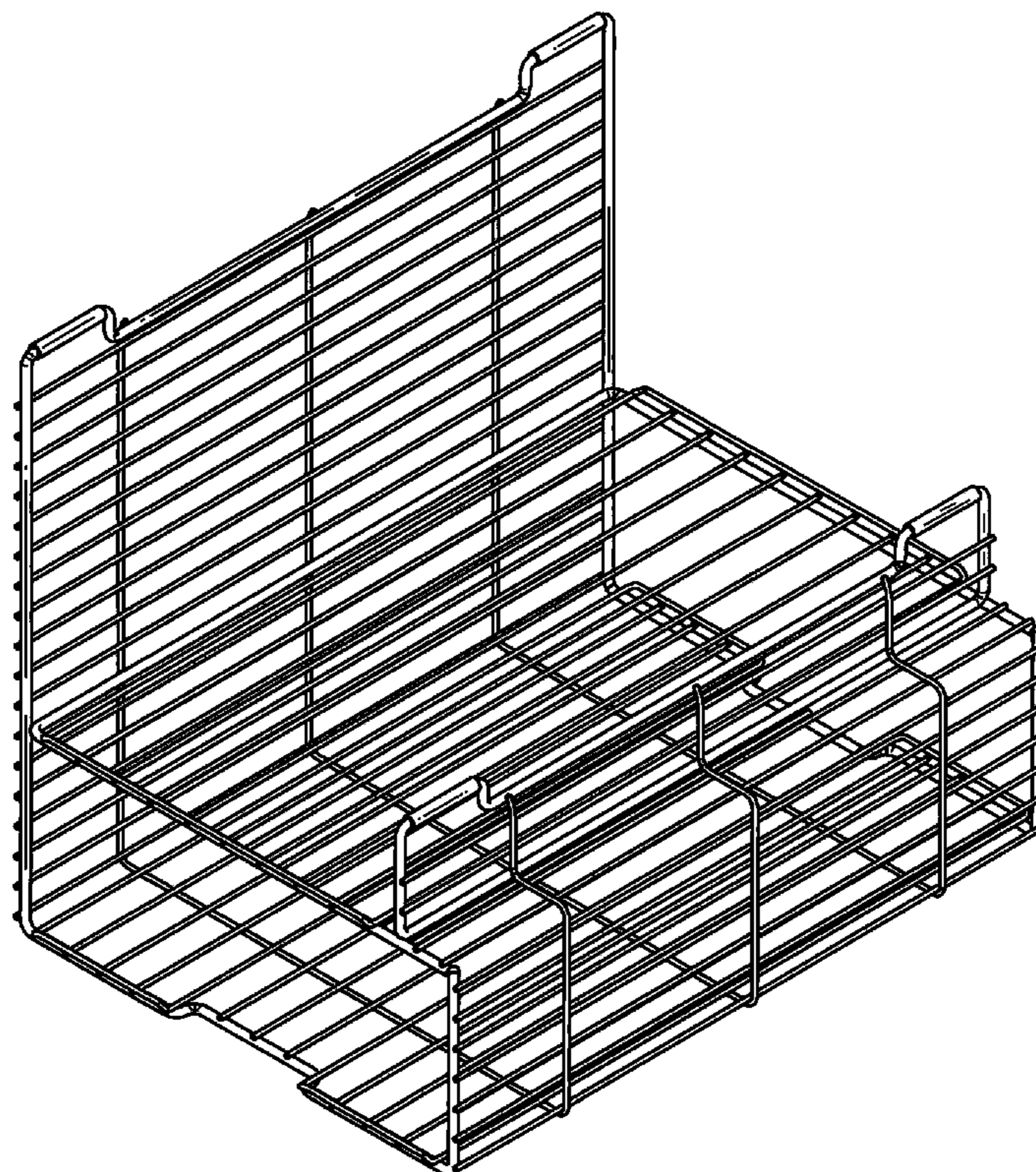
FIG. 3 is a right side elevational view thereof;

FIG. 4 is a left side elevational view thereof;

FIG. 5 is a top plan view thereof; and,

FIG. 6 is a bottom plan view thereof.

**1 Claim, 6 Drawing Sheets**



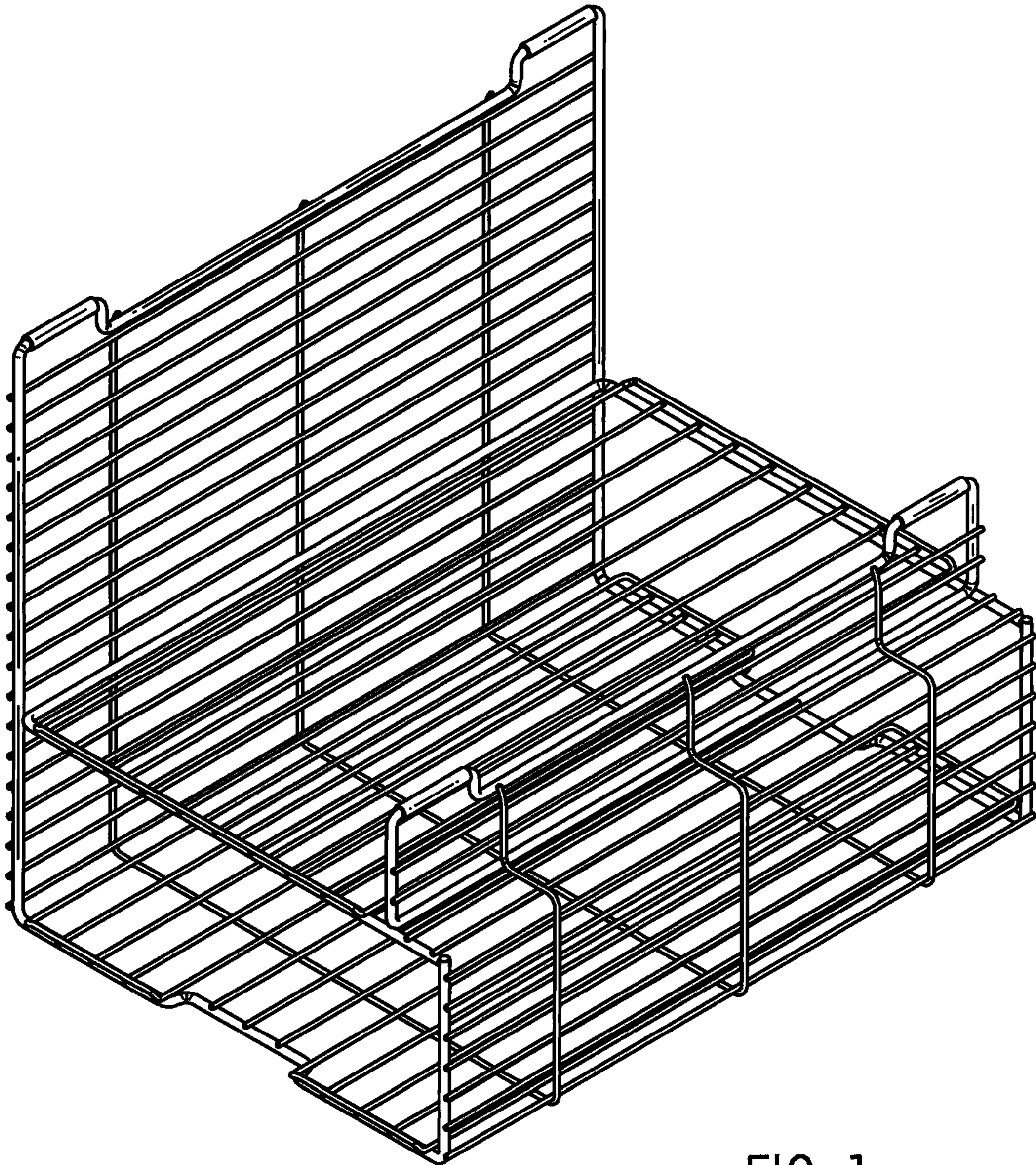


FIG. 1

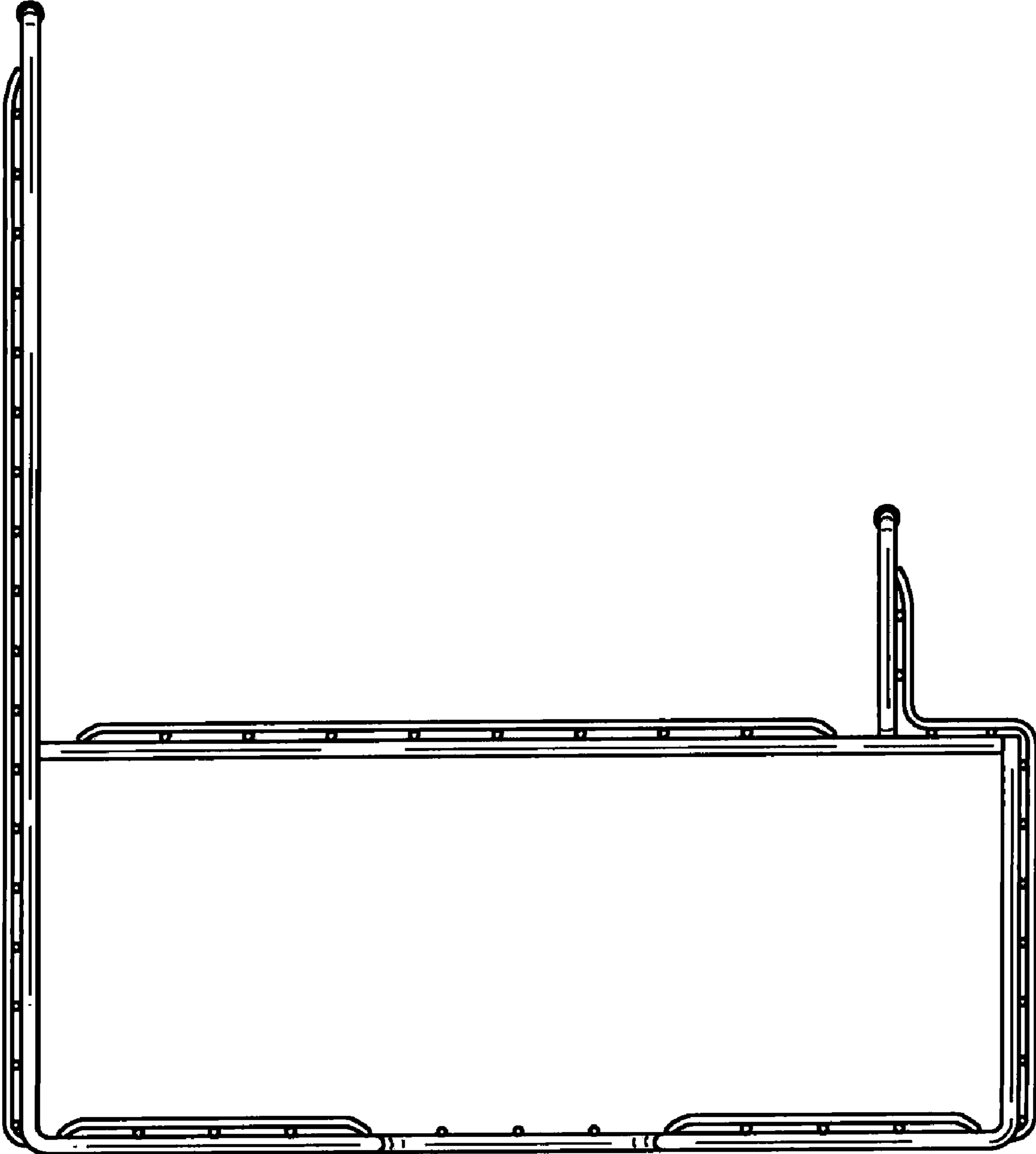


FIG. 2

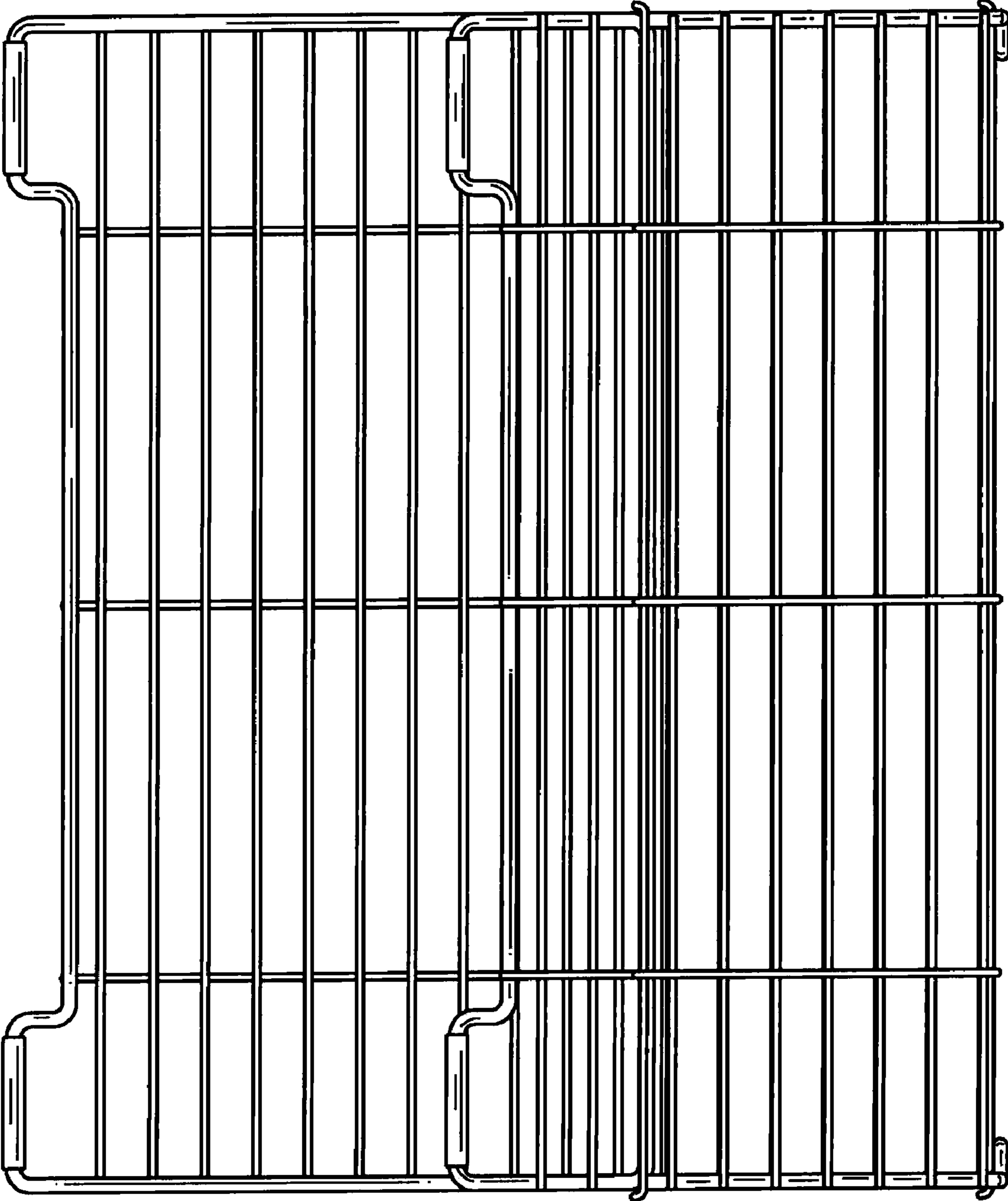


FIG. 3

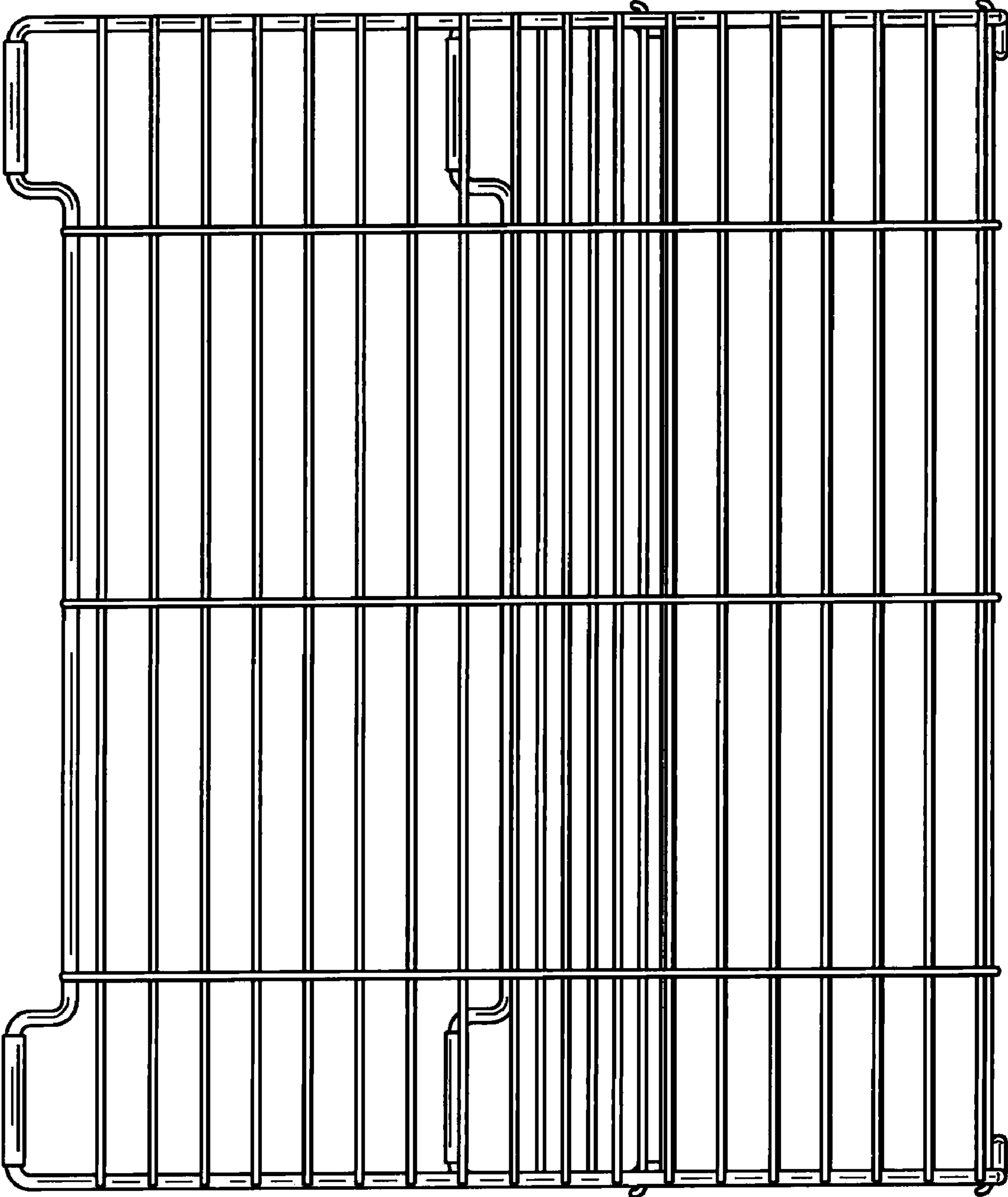


FIG. 4

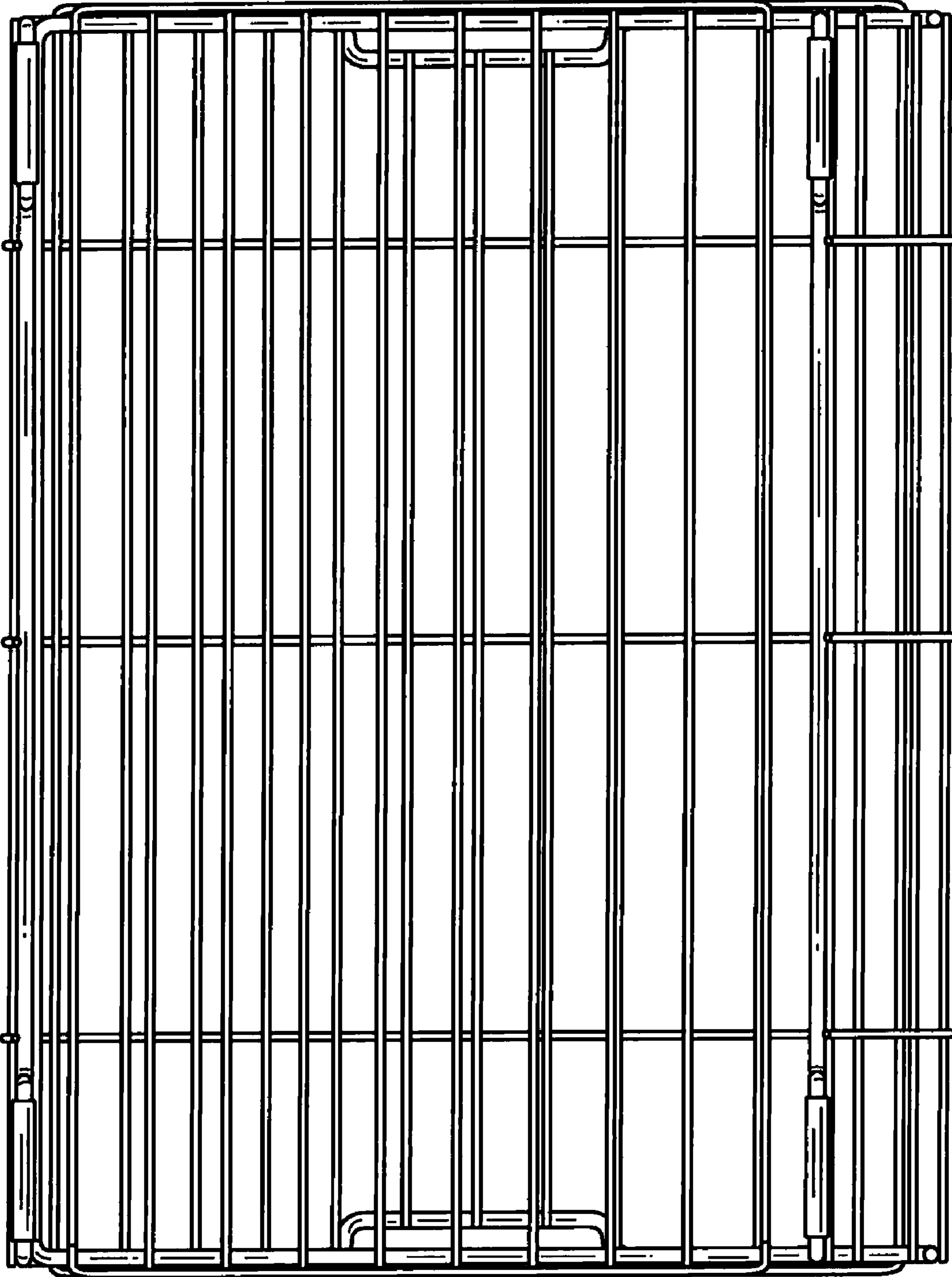


FIG. 5

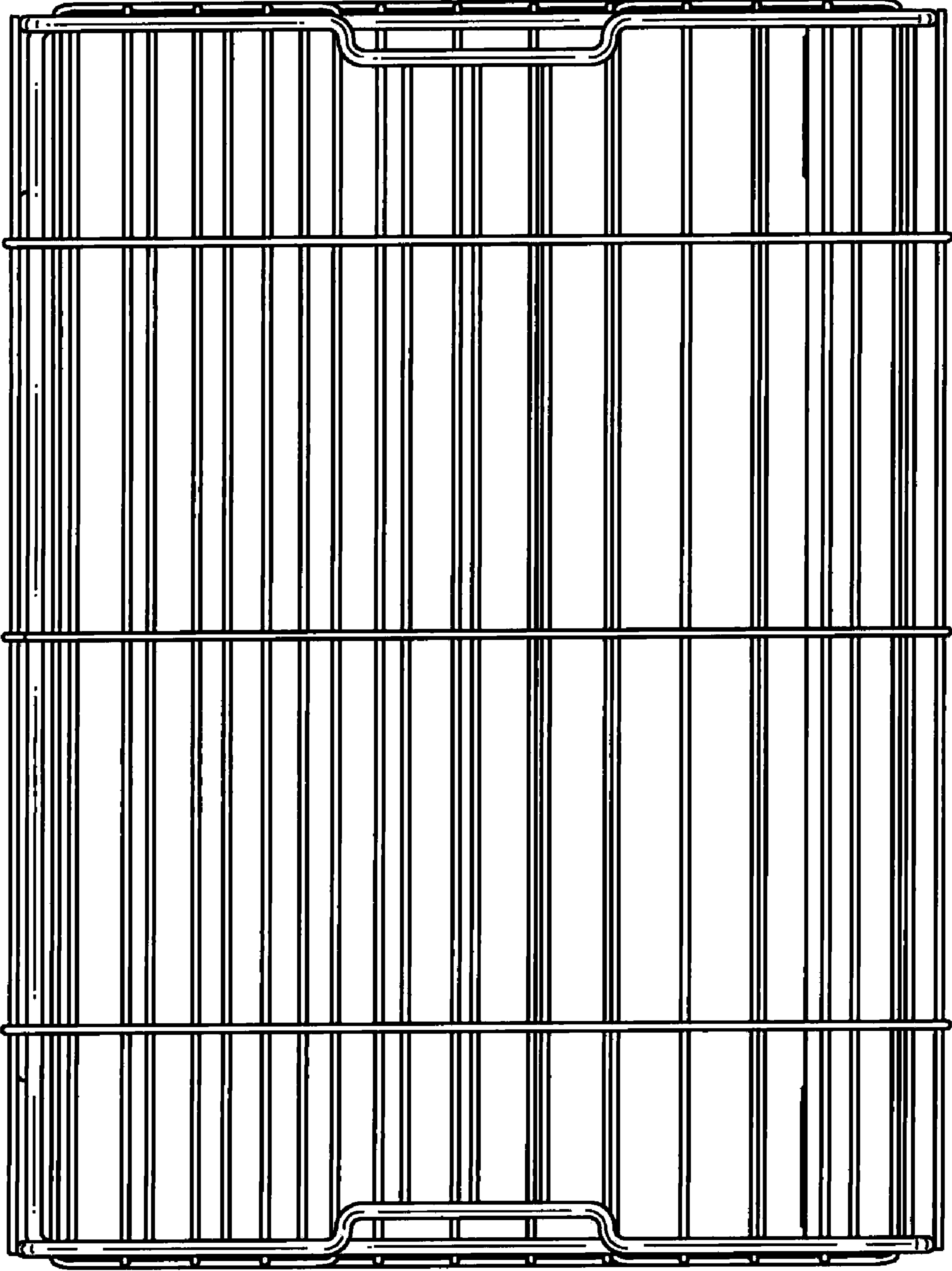


FIG. 6