



US00D608111S

(12) **United States Design Patent**
Rubin

(10) **Patent No.:** **US D608,111 S**
(45) **Date of Patent:** **** Jan. 19, 2010**

(54) **MACHINE-COMPRESSED RAG DISPENSING RACK**

5,657,954 A 8/1997 Emery et al.
6,345,723 B1 2/2002 Blake et al.
6,488,246 B2 12/2002 Song
7,025,223 B2 4/2006 Hamm
D532,216 S * 11/2006 Calabria et al. D6/462

(75) Inventor: **Gregory C. Rubin**, Erie, PA (US)

(73) Assignee: **Erie Cotton Products Inc.**, Erie, PA (US)

(**) Term: **14 Years**

(Continued)

(21) Appl. No.: **29/333,617**

FOREIGN PATENT DOCUMENTS

(22) Filed: **Mar. 12, 2009**

EP 1374731 A2 1/2004

(51) **LOC (9) Cl.** **06-04**

(Continued)

(52) **U.S. Cl.** **D6/462; D6/553**

(58) **Field of Classification Search** D6/462,
D6/458, 510, 566, 457, 449, 455; 211/106,
211/41.1, 13.1, 41.7, 41.4, 42, 53, 56, 58,
211/70, 85, 95, 85.31, 90.03, 112, 115, 126.8,
211/129.1, 134, 133.1, 144, 133.2, 153, 181.1;
D8/372; 248/153, 175

Primary Examiner—Caron Veynar
Assistant Examiner—Sydney R Buffalow

See application file for complete search history.

(57) **CLAIM**

The ornamental design for a machine-compressed rag dispensing rack, as shown and described.

(56) **References Cited**

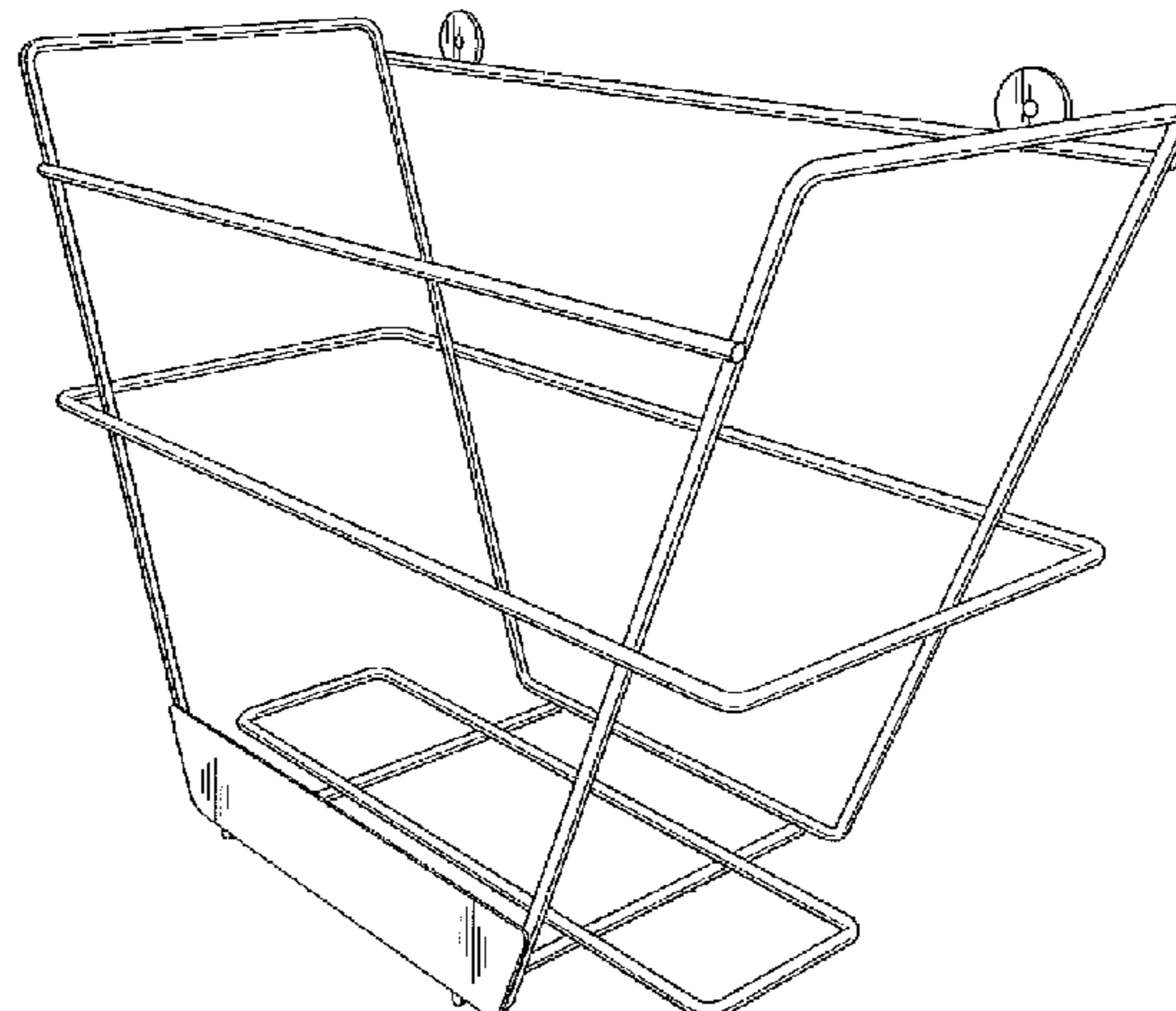
DESCRIPTION

U.S. PATENT DOCUMENTS

1,359,125 A * 11/1920 Stevens 211/106
2,940,599 A * 6/1960 Gentner 211/41.1
D189,093 S * 10/1960 Chapman D6/510
3,917,103 A 11/1975 Beretta
D247,207 S * 2/1978 Moynihan D6/462
4,091,548 A 5/1978 Daily
D251,397 S * 3/1979 Minsky D6/458
4,526,285 A 7/1985 Cerveny et al.
4,765,495 A 8/1988 Bisk
4,880,121 A 11/1989 D'Elia
D314,097 S * 1/1991 Buist D6/458
D315,263 S * 3/1991 David D6/462
5,012,994 A 5/1991 Keefe
5,088,510 A 2/1992 Bannon
D330,131 S * 10/1992 Dennis et al. D6/462
D334,307 S * 3/1993 Lee D6/462
5,377,837 A 1/1995 Roussel
5,443,173 A 8/1995 Emery et al.
5,460,279 A 10/1995 Emery et al.

FIG. 1 is a front perspective view of the machine-compressed rag dispensing rack of this invention;
FIG. 2 is a front view of the machine-compressed rag dispensing rack shown in FIG. 1;
FIG. 3 is a back view of the machine-compressed rag dispensing rack shown in FIG. 1;
FIG. 4 is a top view of the machine-compressed rag dispensing rack shown in FIG. 1;
FIG. 5 is a bottom view of the machine-compressed rag dispensing rack shown in FIG. 1;
FIG. 6 is a left side view of the machine-compressed rag dispensing rack shown in FIG. 1; and,
FIG. 7 is a right side view of the machine-compressed rag dispensing rack shown in FIG. 1.

1 Claim, 2 Drawing Sheets



US D608,111 S

Page 2

U.S. PATENT DOCUMENTS

D536,873 S 2/2007 Thorsteinsson et al.
D554,416 S 11/2007 Thompson et al.
2004/0007549 A1 1/2004 Klein et al.
2005/0110373 A1 5/2005 Assmann
2008/0017659 A1 1/2008 Nash et al.
2008/0029467 A1 2/2008 Colin et al.
2008/0074021 A1 3/2008 Croft et al.

2008/0217495 A1 9/2008 Roepke
2008/0224577 A1 9/2008 Whitty

FOREIGN PATENT DOCUMENTS

GB 2154858 A 9/1985
WO WO 02/21988 A1 3/2002

* cited by examiner

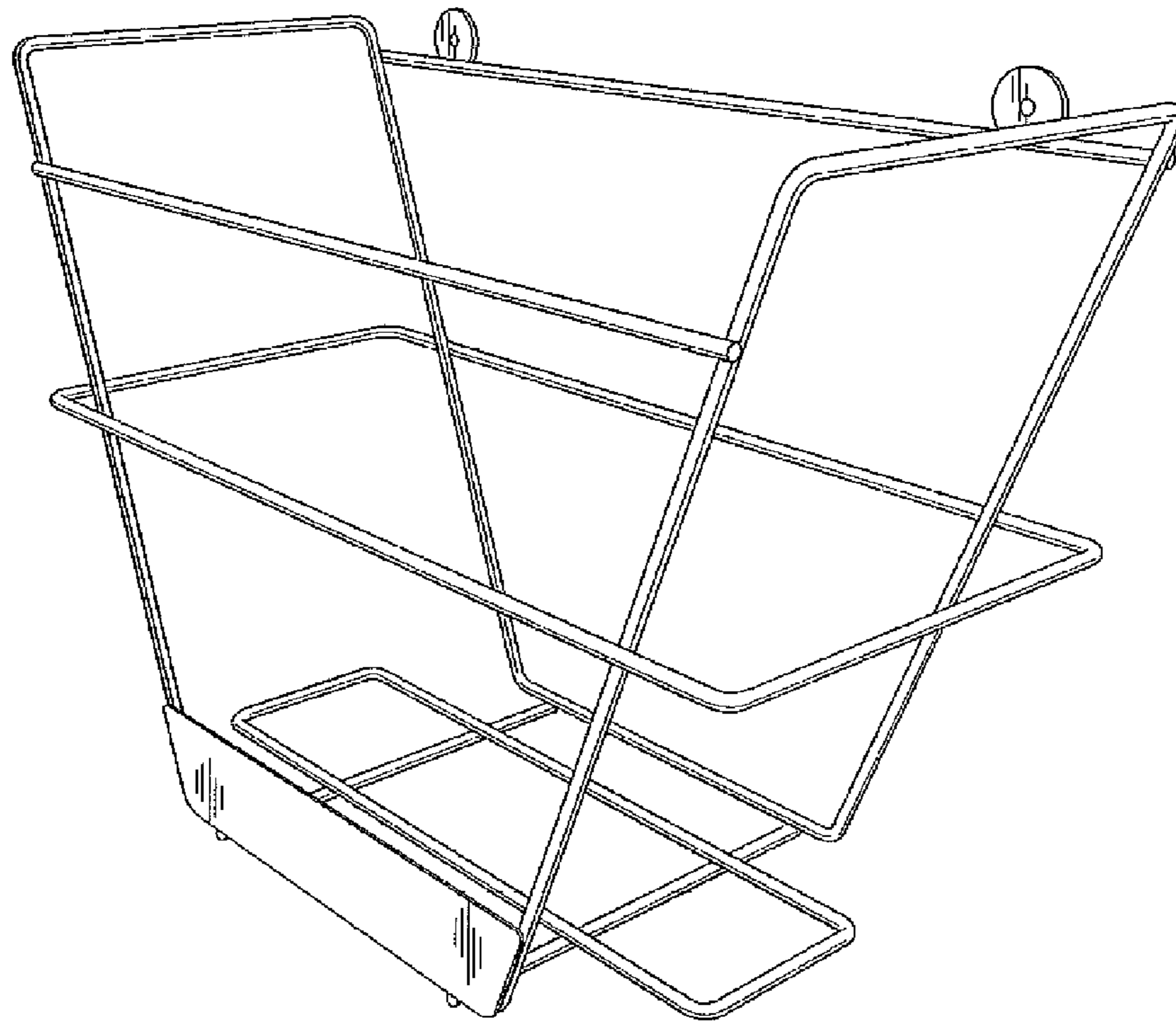


Fig. 1

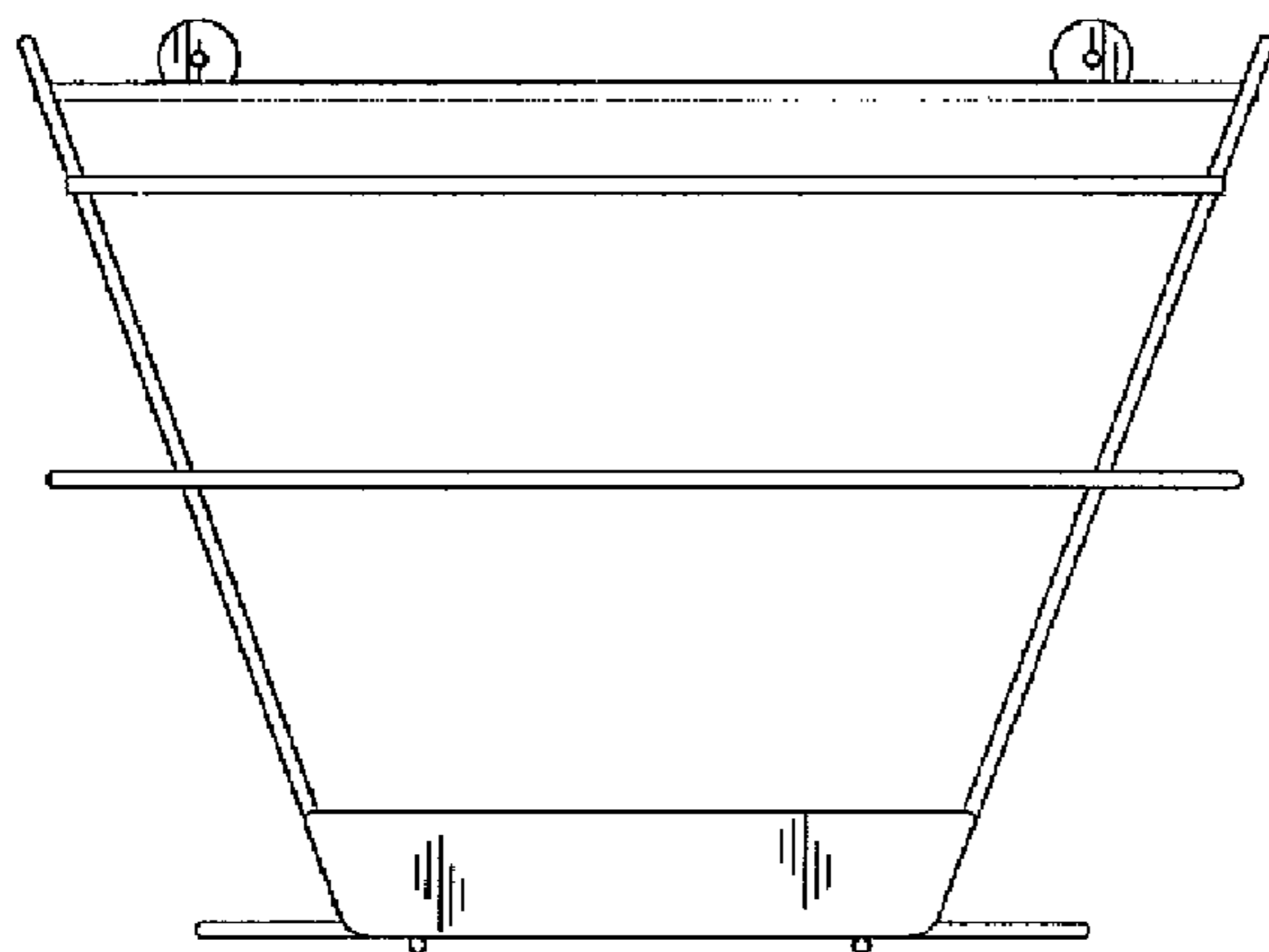


Fig. 2

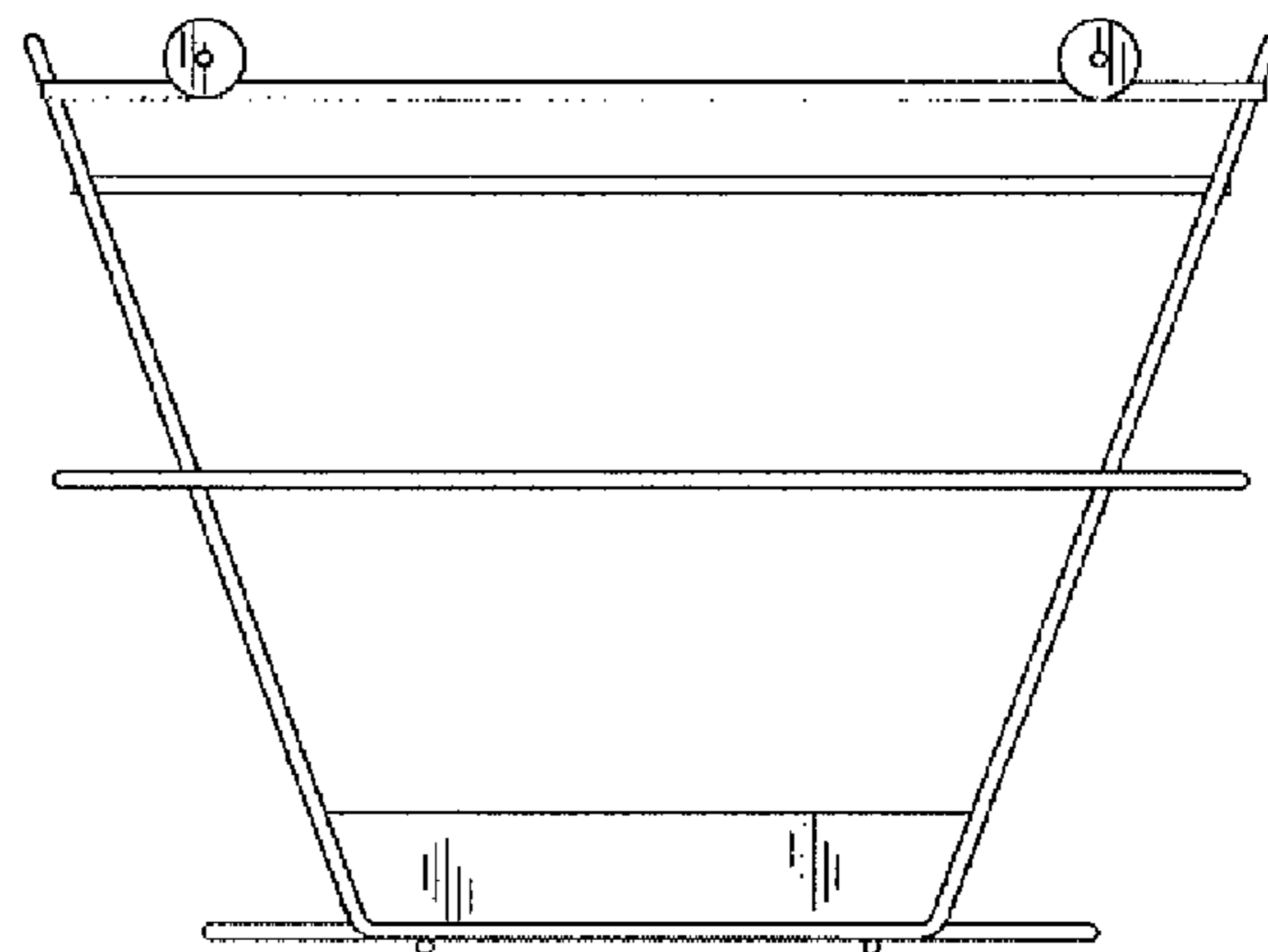


Fig. 3

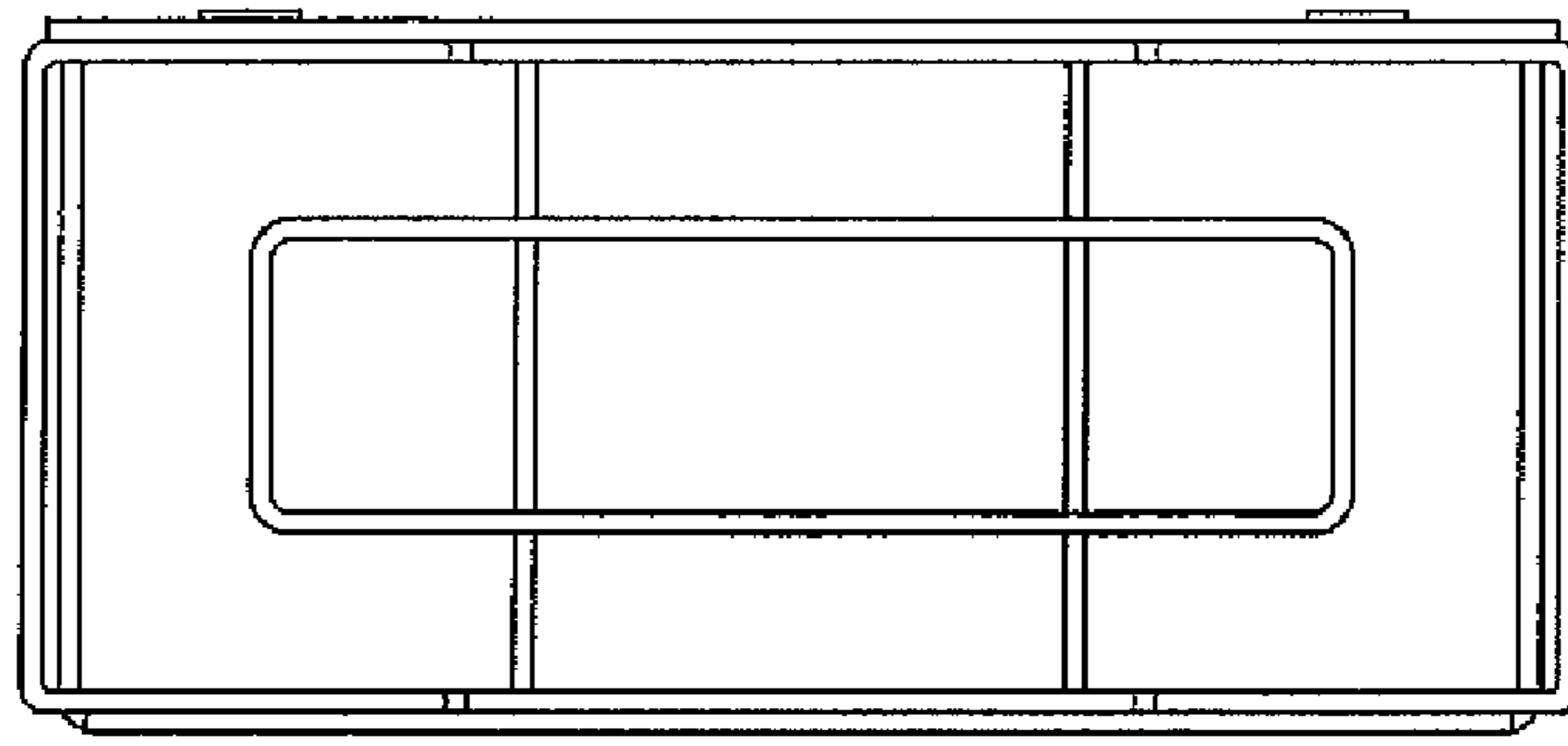


Fig. 4

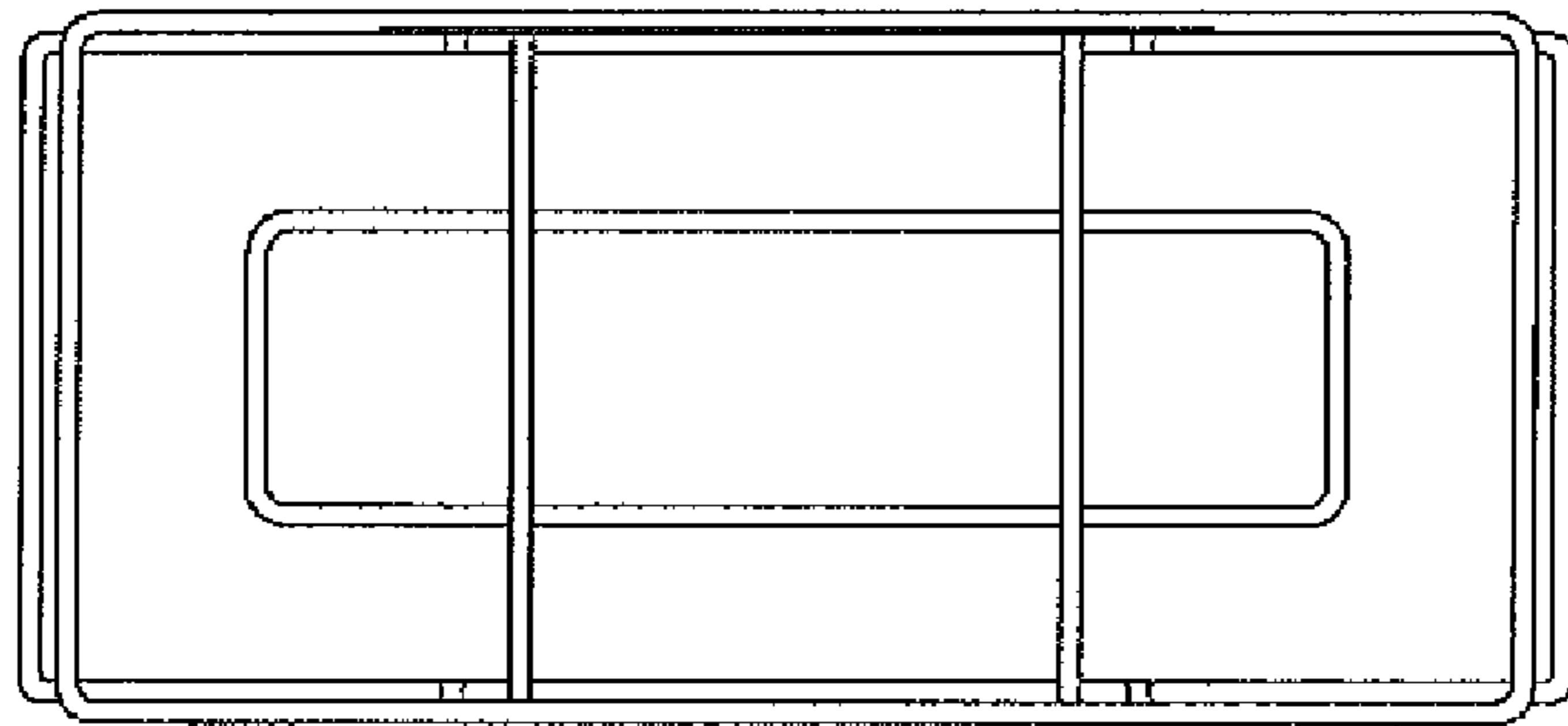


Fig. 5

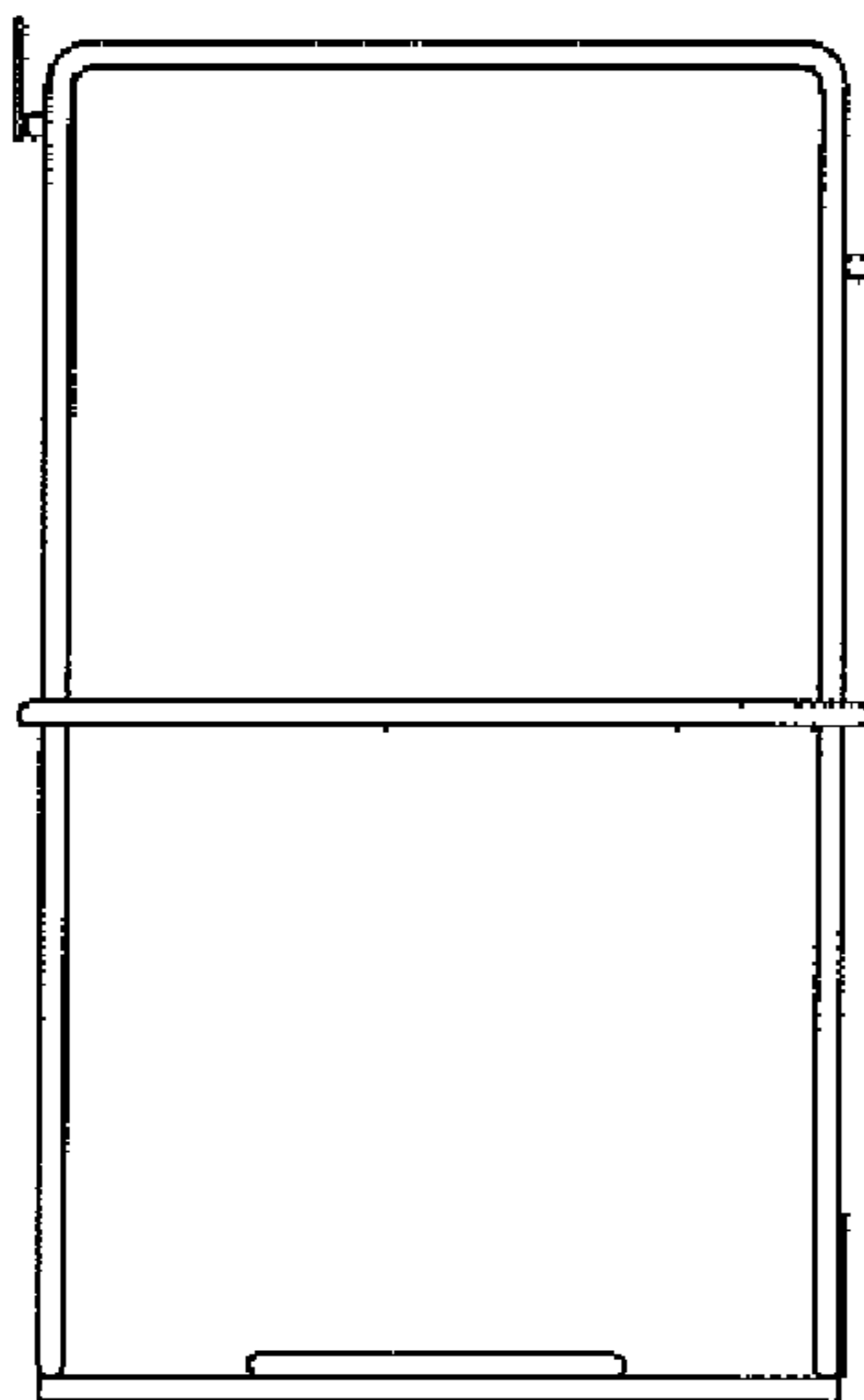


Fig. 6

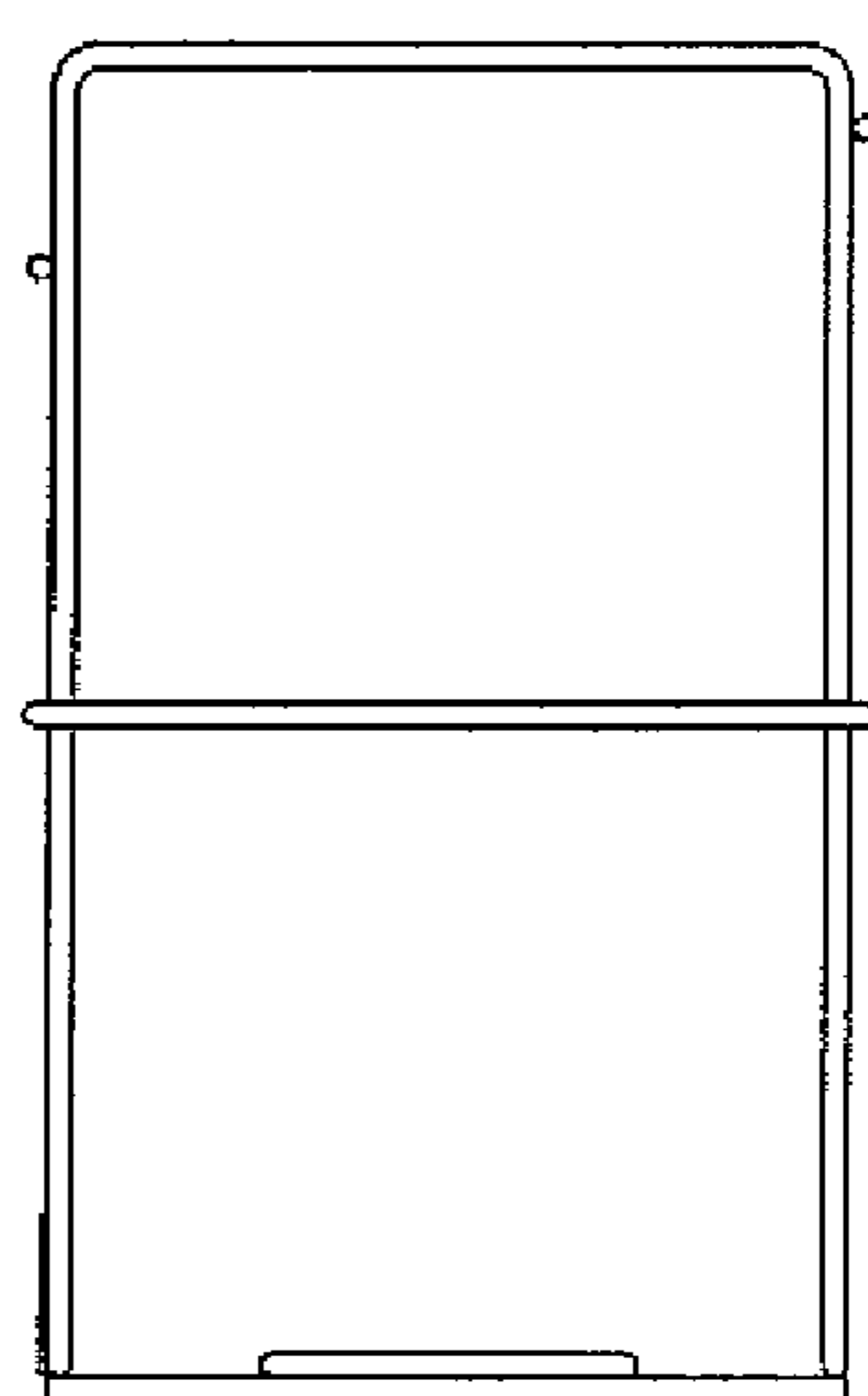


Fig. 7