



US00D608110S

(12) **United States Design Patent**
Bailey

(10) **Patent No.:** **US D608,110 S**
(45) **Date of Patent:** **** Jan. 19, 2010**

(54) **PORTION OF JEWELRY ORGANIZER**

(76) Inventor: **Tina Bailey**, 5942 Colhurst St., Dallas, TX (US) 75230

(**) Term: **14 Years**

(21) Appl. No.: **29/334,961**

(22) Filed: **Apr. 6, 2009**

(51) **LOC (9) Cl.** **06-04**

(52) **U.S. Cl.** **D6/457**

(58) **Field of Classification Search** D6/569,
D6/457, 491, 566, 449; 211/96, 70.6, 106.01,
211/60.1, 70.8, 87.01, 65; D11/222; 439/810,
439/797; 206/378; D7/641; D8/373, 372,
D8/370

See application file for complete search history.

(56) **References Cited**

U.S. PATENT DOCUMENTS

D101,594 S *	10/1936	Carley	D11/222
D268,890 S *	5/1983	Morin	D7/641
4,546,888 A *	10/1985	Rosberg et al.	211/106.01
5,743,394 A *	4/1998	Martin	206/378
5,988,408 A *	11/1999	Evans et al.	211/70.6
D496,582 S *	9/2004	Heck	D8/373
D547,584 S *	7/2007	Little	D6/569
D556,025 S *	11/2007	Kubota	D8/372
7,438,607 B2 *	10/2008	Fong	439/810
2003/0024890 A1 *	2/2003	Vollmer	211/65
2008/0166929 A1 *	7/2008	Fong	439/797

2009/0120885 A1* 5/2009 Kao 211/70.6
2009/0218303 A1* 9/2009 Winnard 211/70.6

* cited by examiner

Primary Examiner—Caron Veynar

Assistant Examiner—Sydney R Buffalow

(74) *Attorney, Agent, or Firm*—Winstead PC

(57) **CLAIM**

The ornamental design for a portion of jewelry organizer, as shown and described.

DESCRIPTION

FIG. 1 is a perspective view of a portion of jewelry organizer in accordance with my design;

FIG. 2 is a top plan view of the portion of jewelry organizer in accordance with my design;

FIG. 3 is a first side view of the portion of jewelry organizer in accordance with my design;

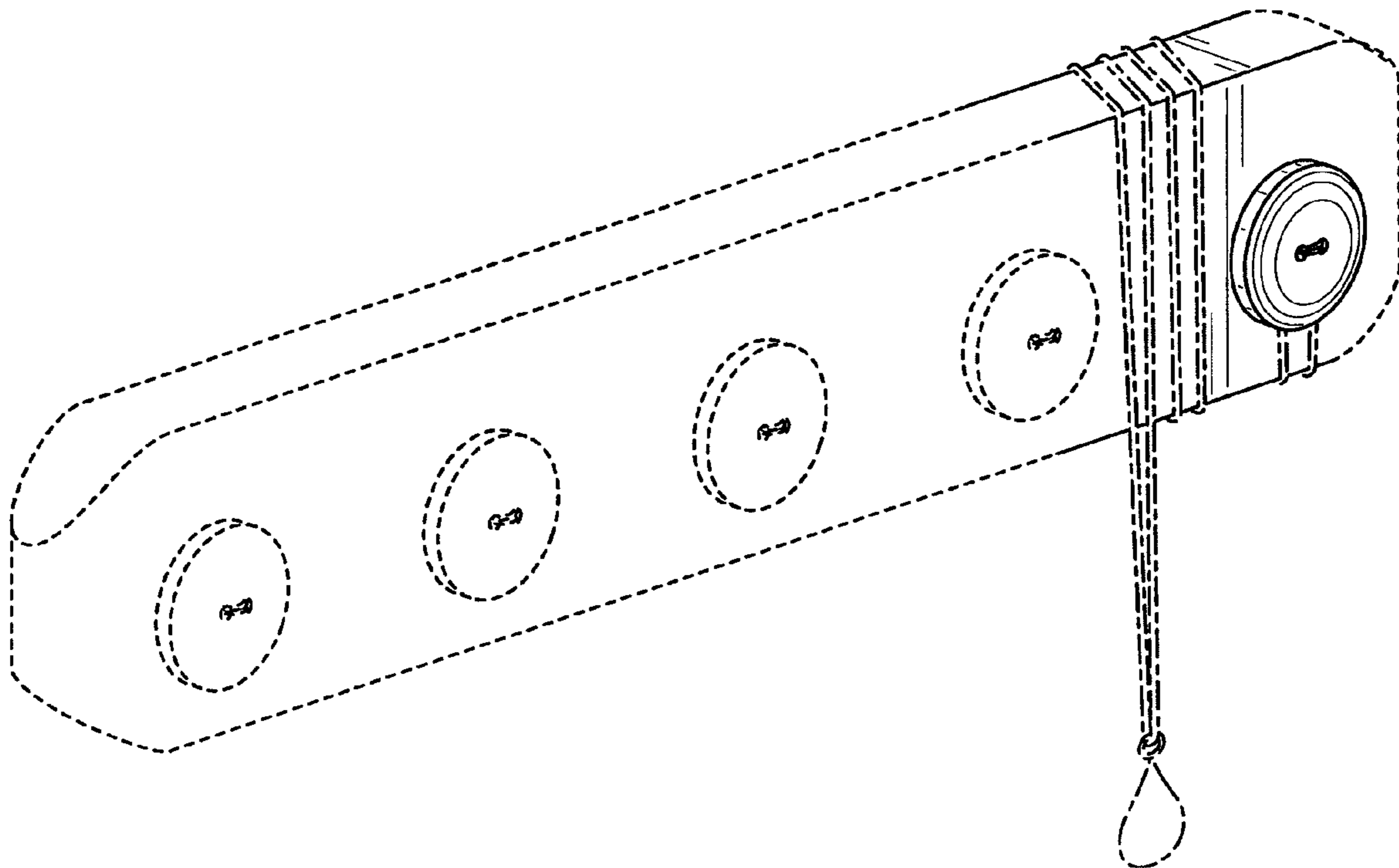
FIG. 4 is a second side view of the portion of jewelry organizer in accordance with my design;

FIG. 5 is a third side view of the portion of jewelry organizer in accordance with my design; and,

FIG. 6 is a fourth side view of the portion of jewelry organizer in accordance with my design.

The broken lines representing environmental structure are for illustrative purposes only and form no part of the claimed design.

1 Claim, 4 Drawing Sheets



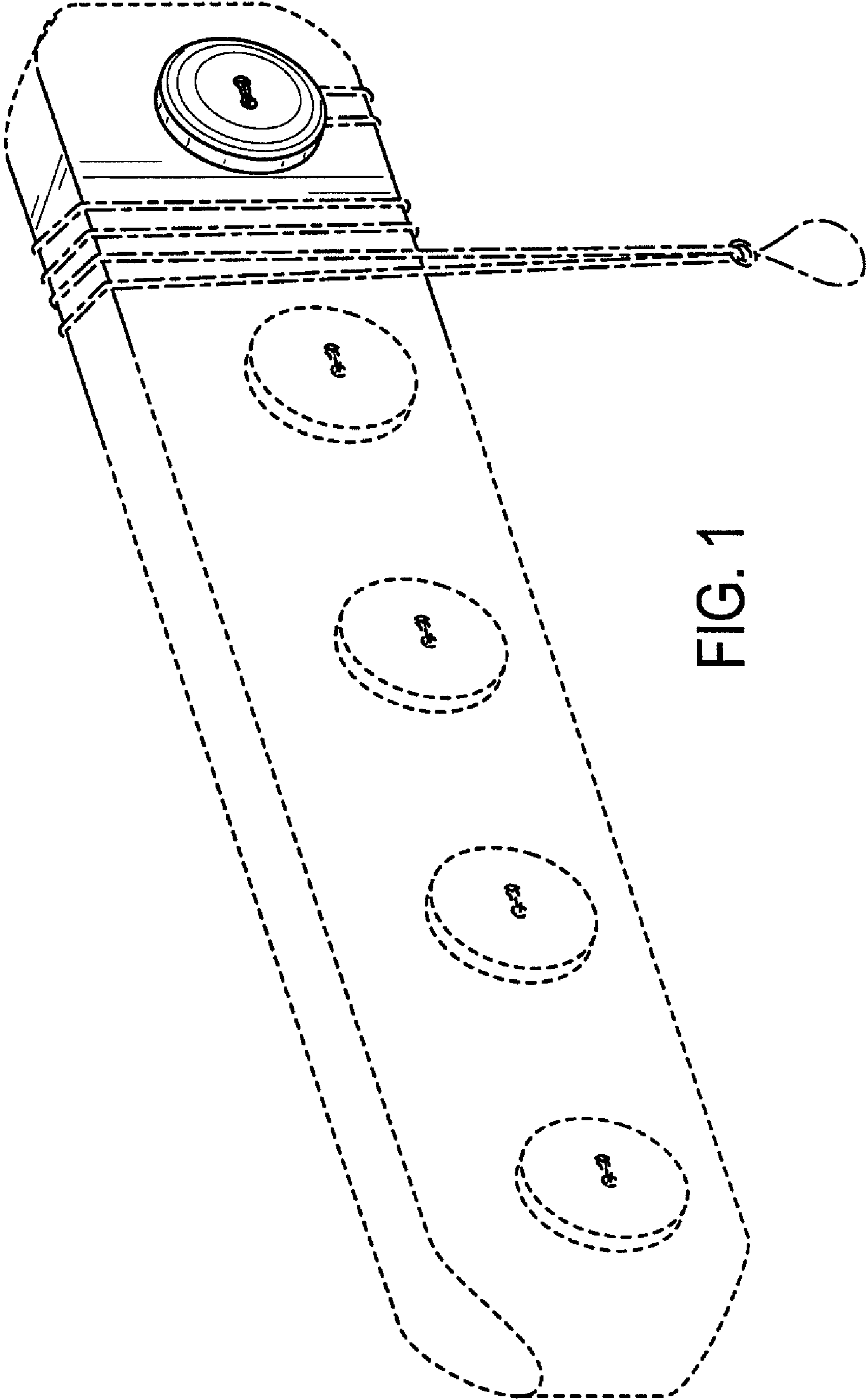


FIG. 1

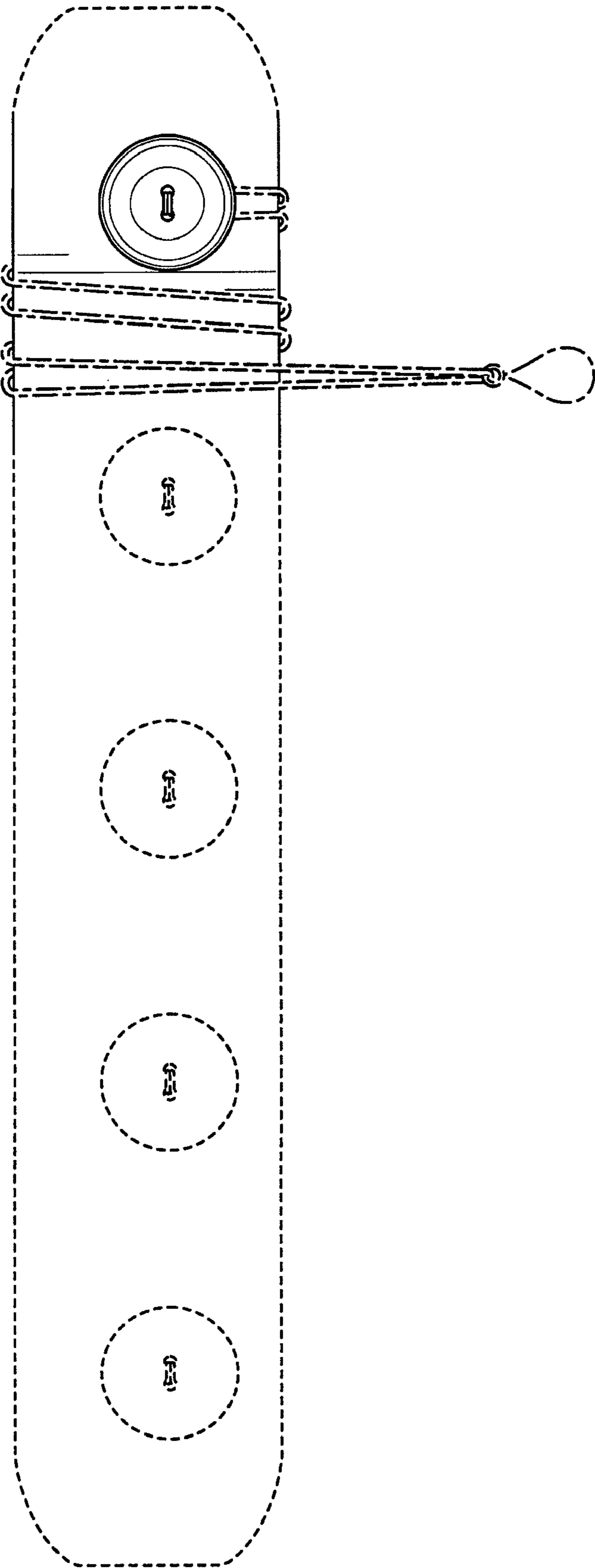


FIG. 2

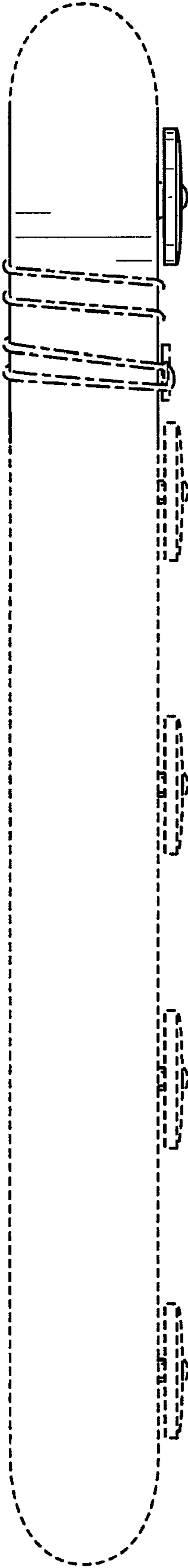


FIG. 3

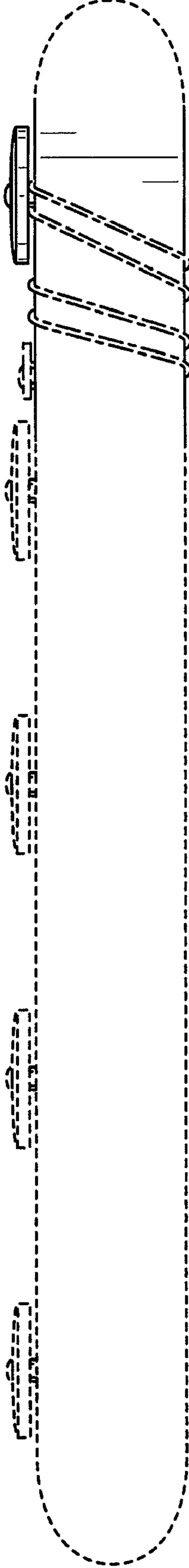


FIG. 4

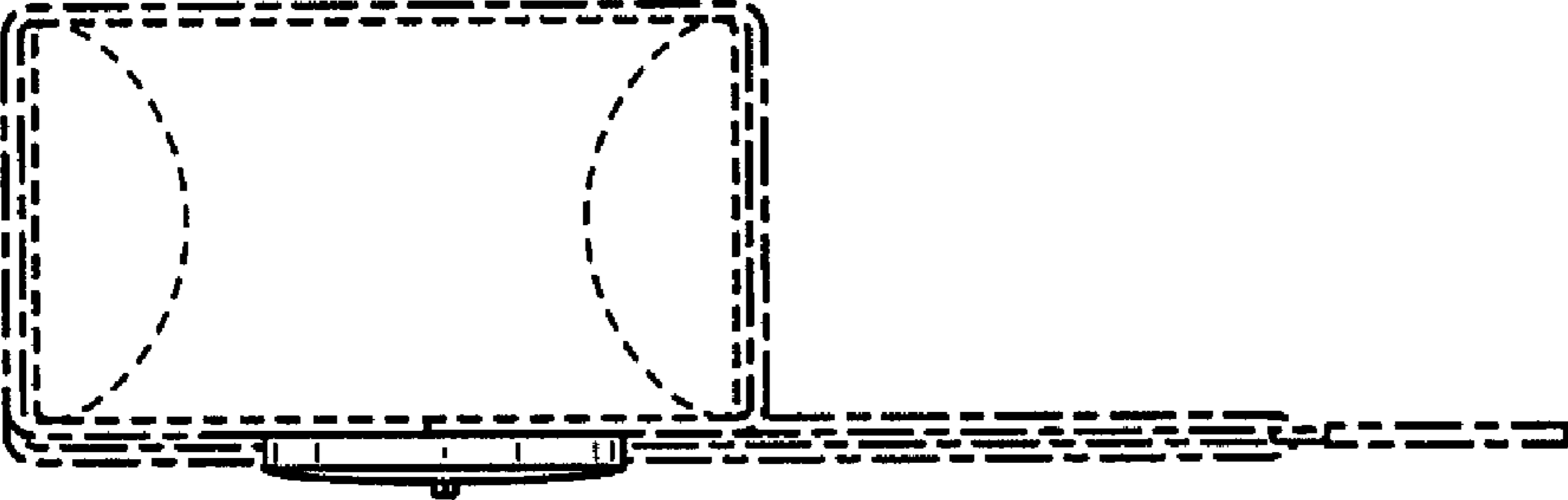


FIG. 6

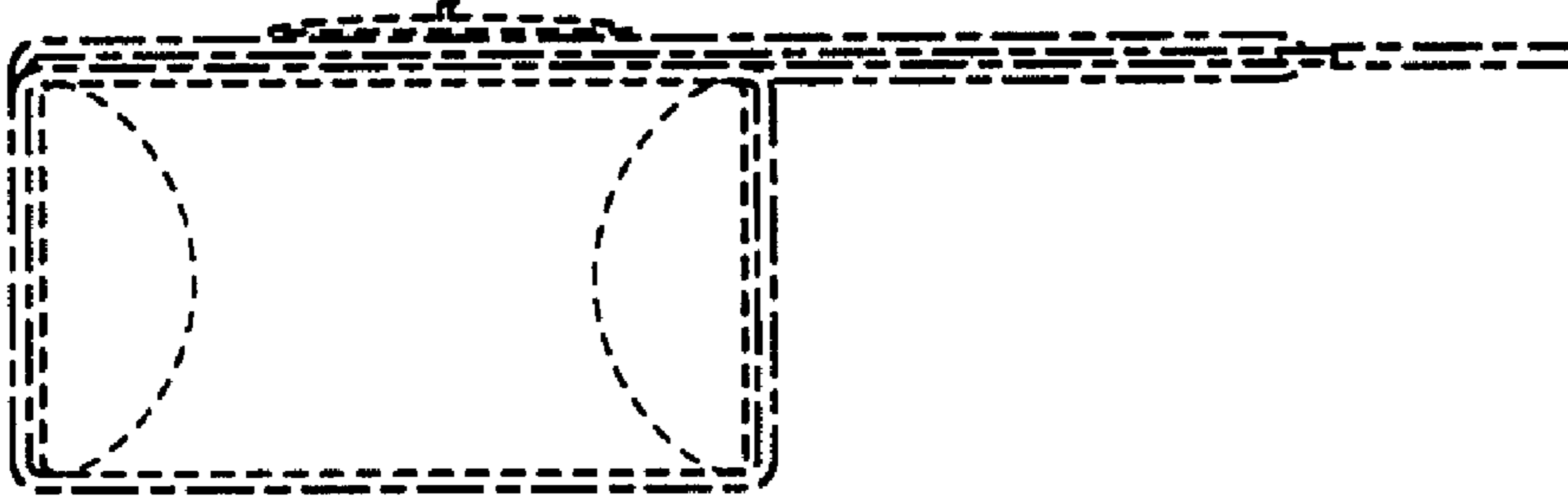


FIG. 5