



US00D608108S

(12) **United States Design Patent**
Koh

(10) **Patent No.:** **US D608,108 S**
(45) **Date of Patent:** **** Jan. 19, 2010**

(54) **WRITING TABLE**

(76) Inventor: **Tuang-Hock Koh**, No. 42, 37th Road,
Taichung Industrial Park, Taichung City
(TW) 40768

(**) Term: **14 Years**

(21) Appl. No.: **29/330,290**

(22) Filed: **Jan. 4, 2009**

(51) **LOC (9) Cl.** **06-03**

(52) **U.S. Cl.** **D6/418; D6/487**

(58) **Field of Classification Search** D6/480-489,
D6/495-499, 429-431, 418, 341, 511; 108/150,
108/153.1, 155, 156, 161, 97, 98; 297/160-162
See application file for complete search history.

(56) **References Cited**

U.S. PATENT DOCUMENTS

939,764	A *	11/1909	Vickers et al	108/97
1,676,174	A *	7/1928	Bargen	297/161
D190,588	S *	6/1961	Christenson	D6/341
3,353,866	A *	11/1967	Chapman et al.	297/162
3,567,277	A *	3/1971	Van Ryn	297/162
D323,560	S *	1/1992	Boyce et al.	D24/184

D409,860	S *	5/1999	Best	D6/487
6,224,149	B1 *	5/2001	Gevaert	297/162
2008/0203778	A1 *	8/2008	Weber et al.	297/162

* cited by examiner

Primary Examiner—Janice E Seeger

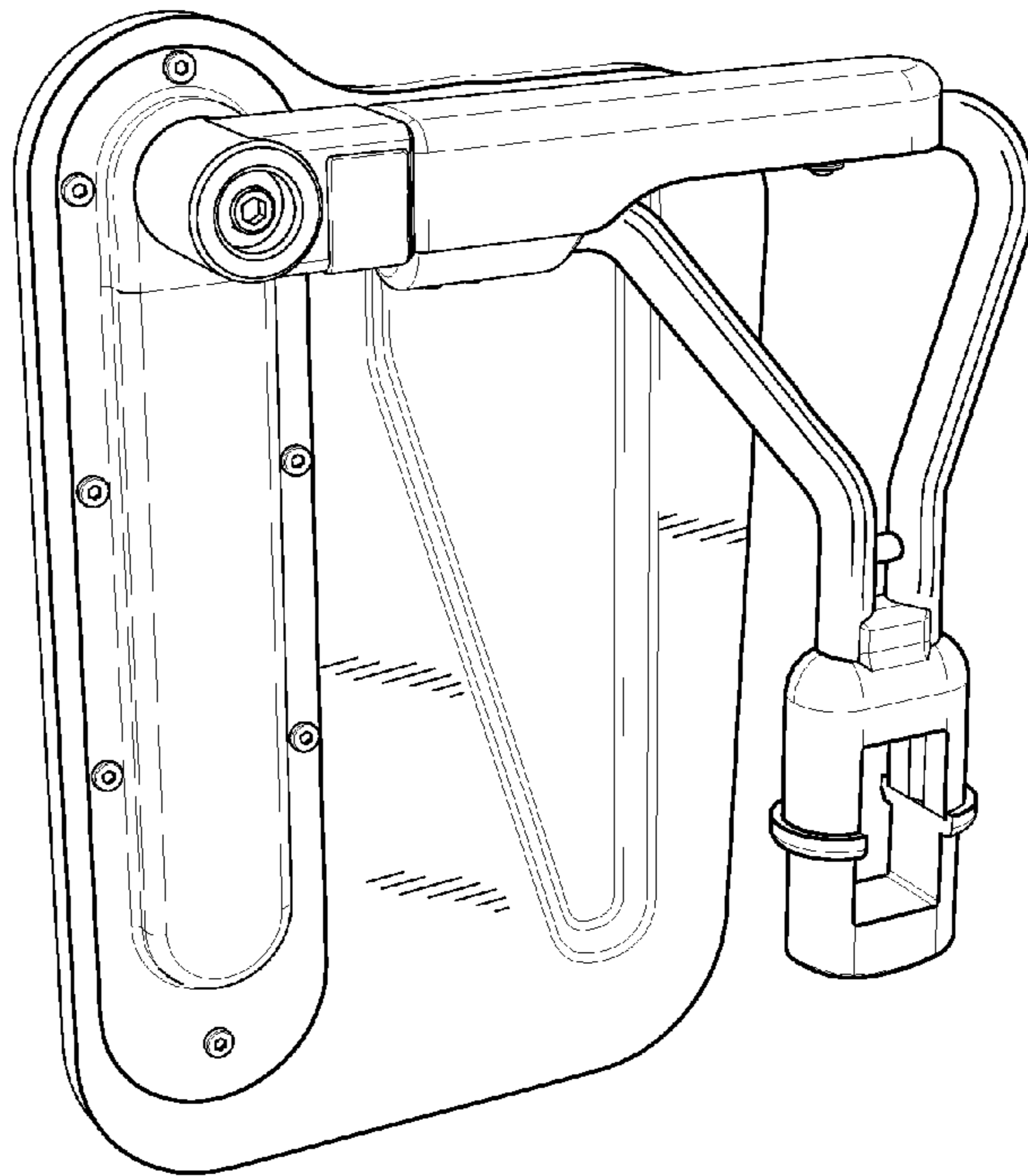
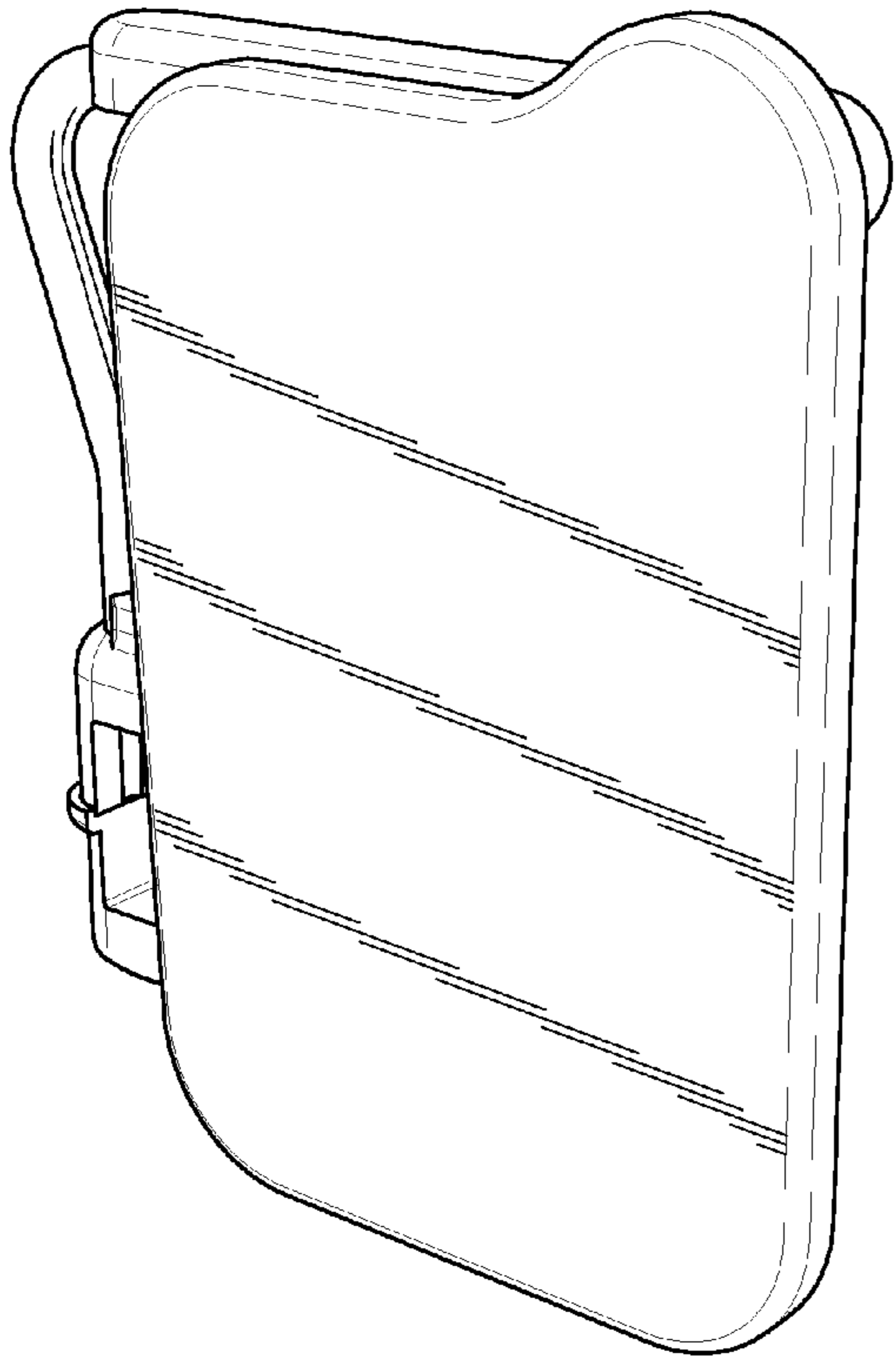
(57) **CLAIM**

The ornamental design for a writing table, as shown (and described).

DESCRIPTION

FIG. 1 is a perspective view of a writing table showing my new design;
FIG. 2 is a front elevational view thereof;
FIG. 3 is a rear elevational view thereof;
FIG. 4 is a left side view thereof;
FIG. 5 is a right side view thereof;
FIG. 6 is a top plan view thereof;
FIG. 7 is a bottom plan view thereof; and,
FIG. 8 is an another perspective view thereof.

1 Claim, 6 Drawing Sheets



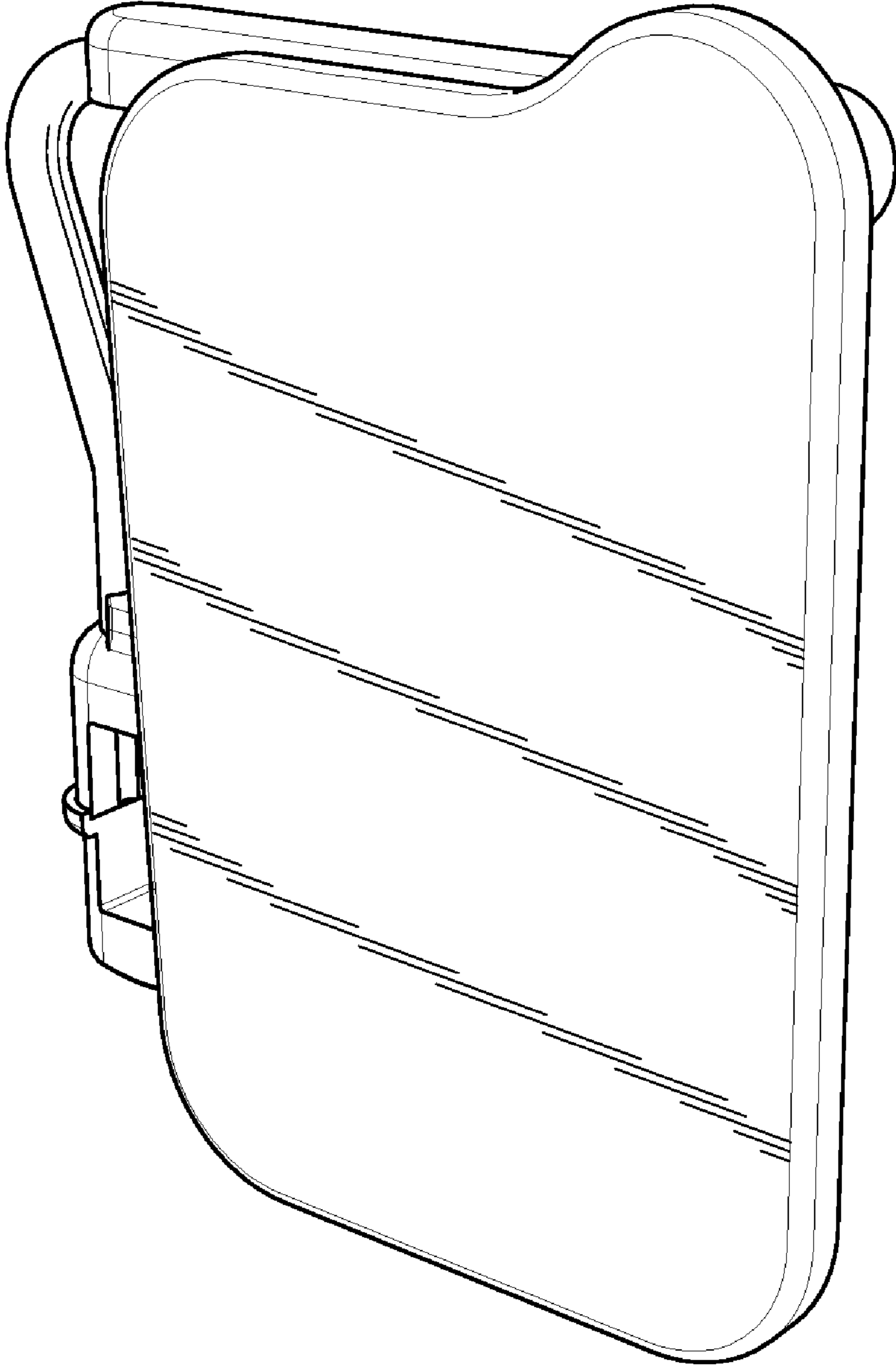


FIG. 1

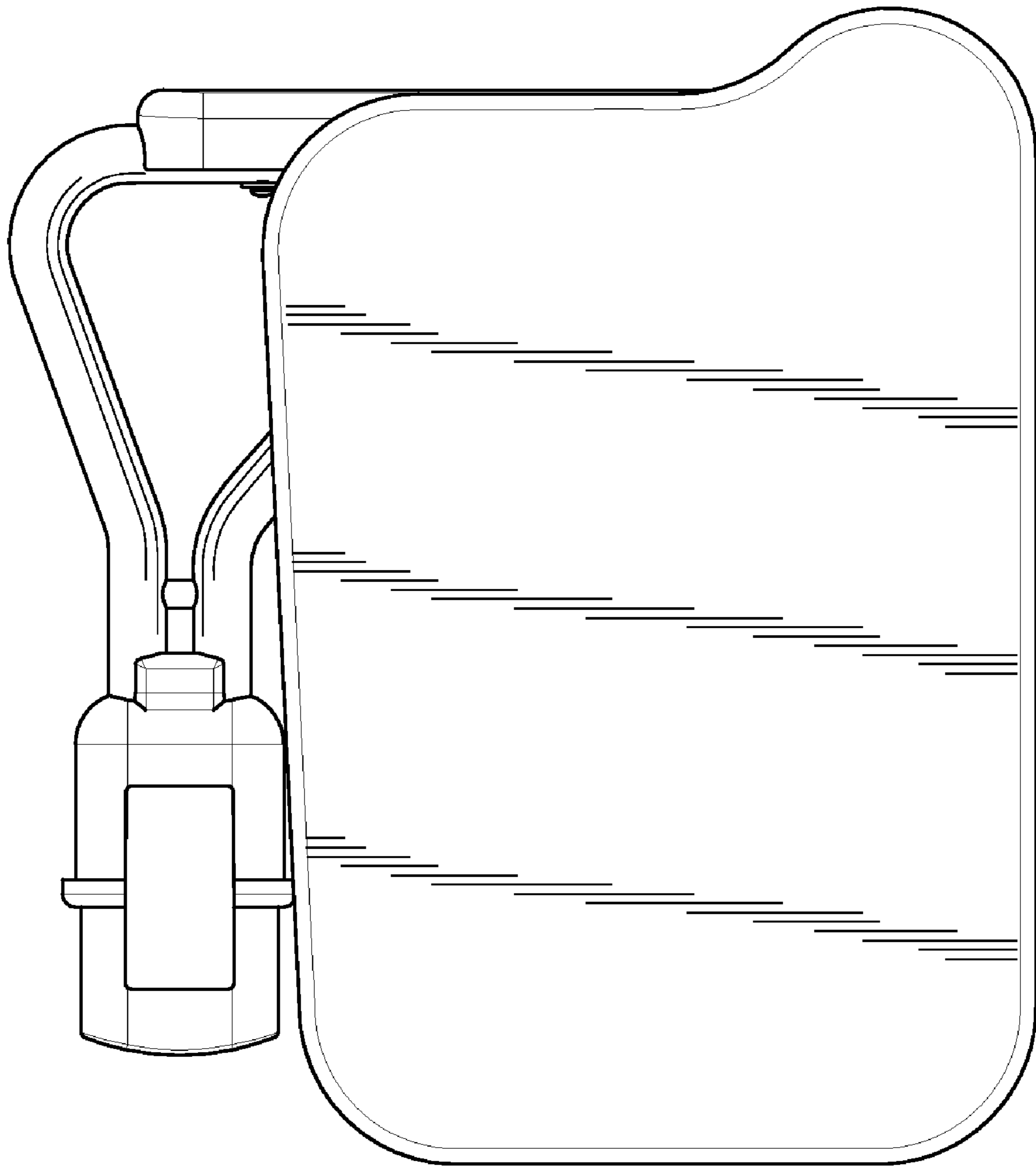


FIG. 2

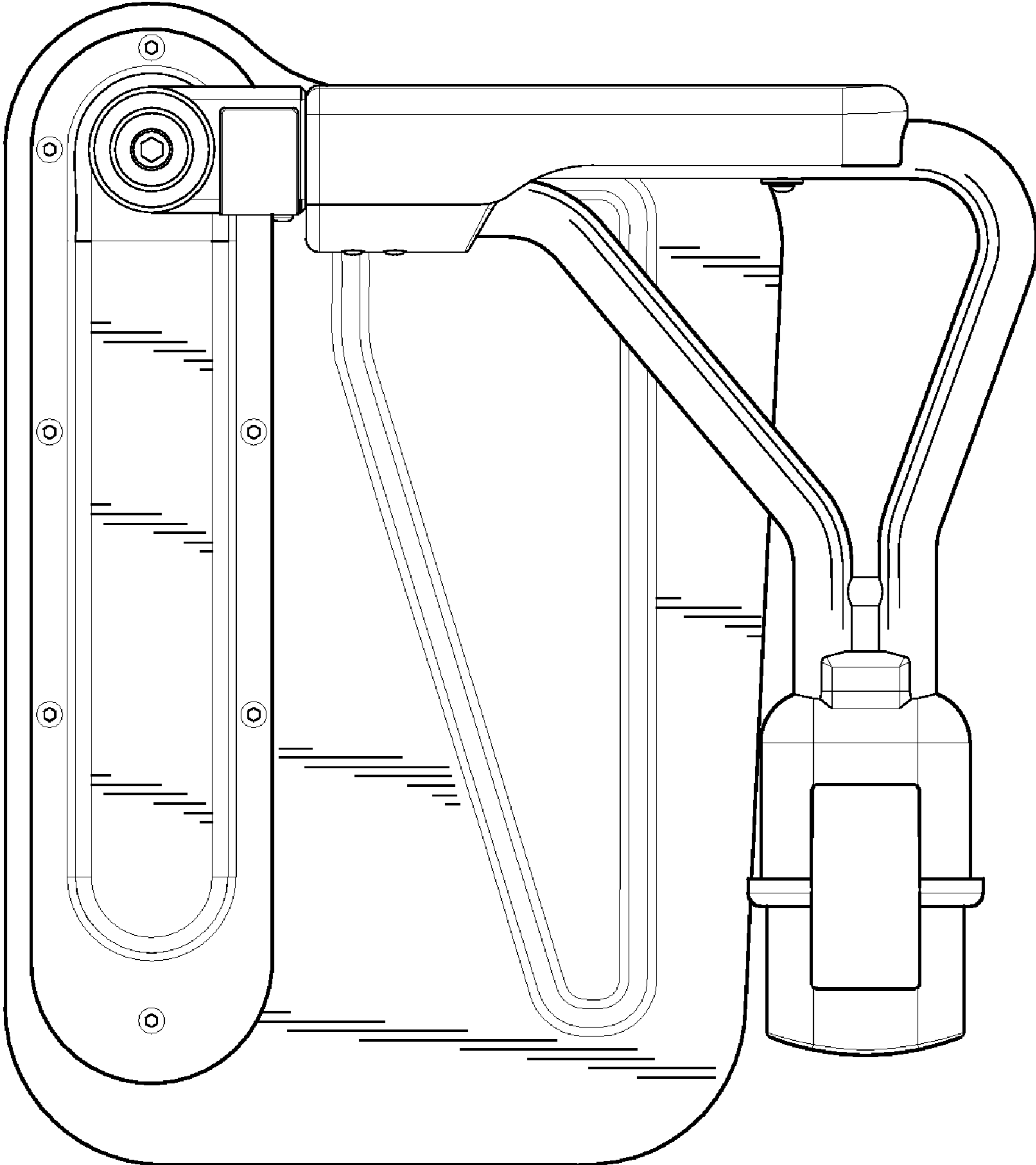


FIG. 3

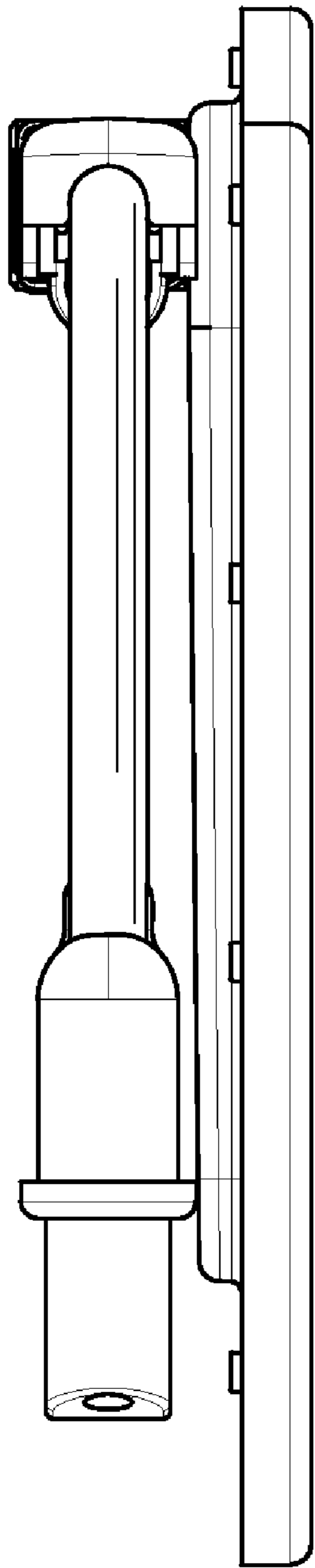


FIG. 4

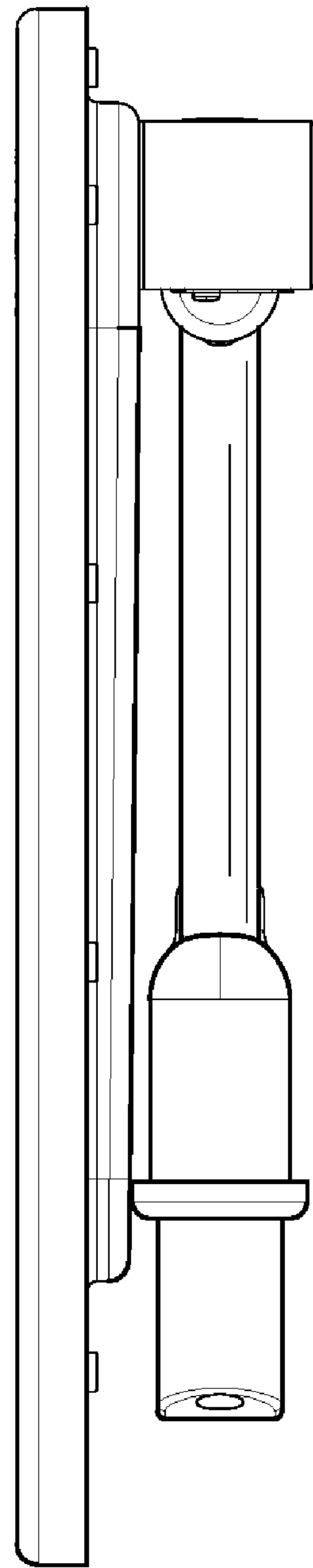


FIG. 5

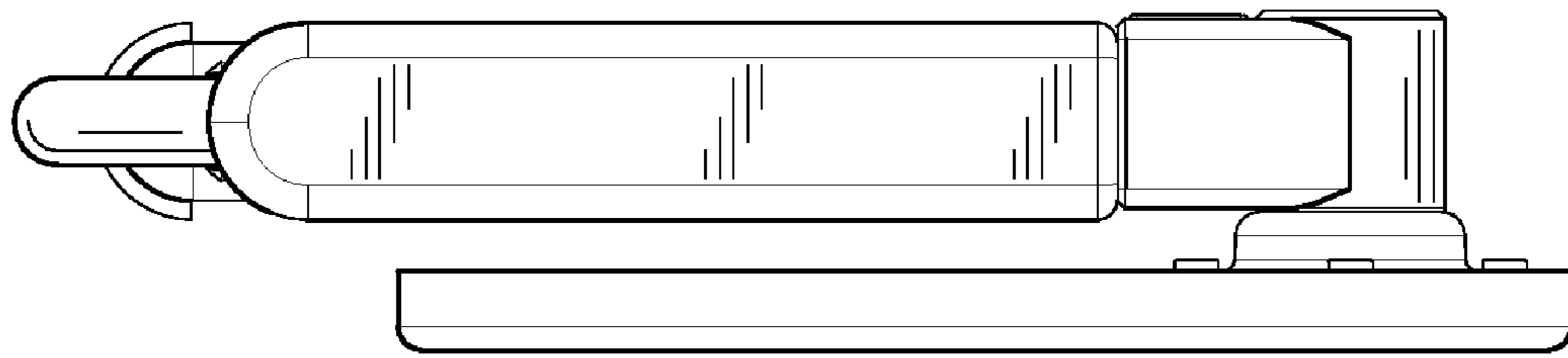


FIG. 6

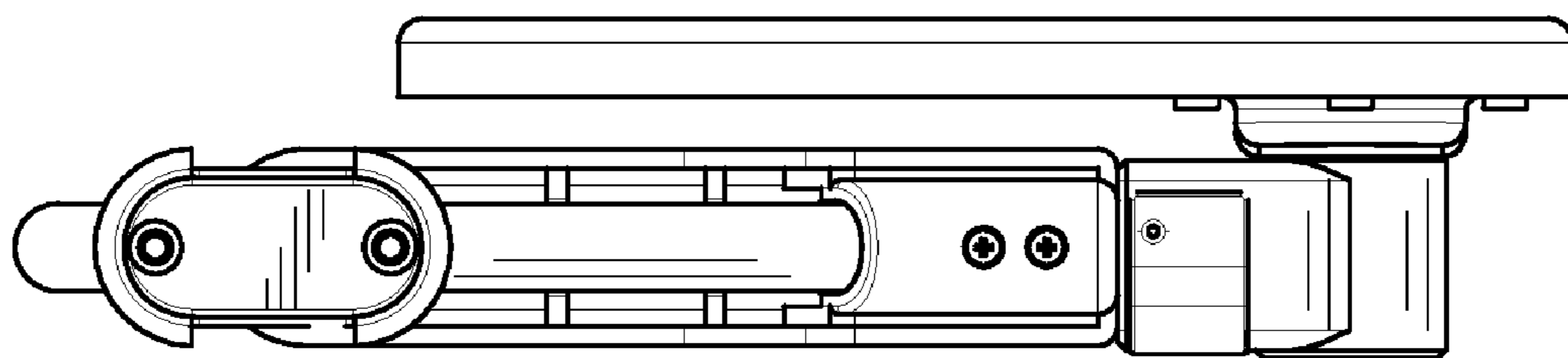


FIG. 7

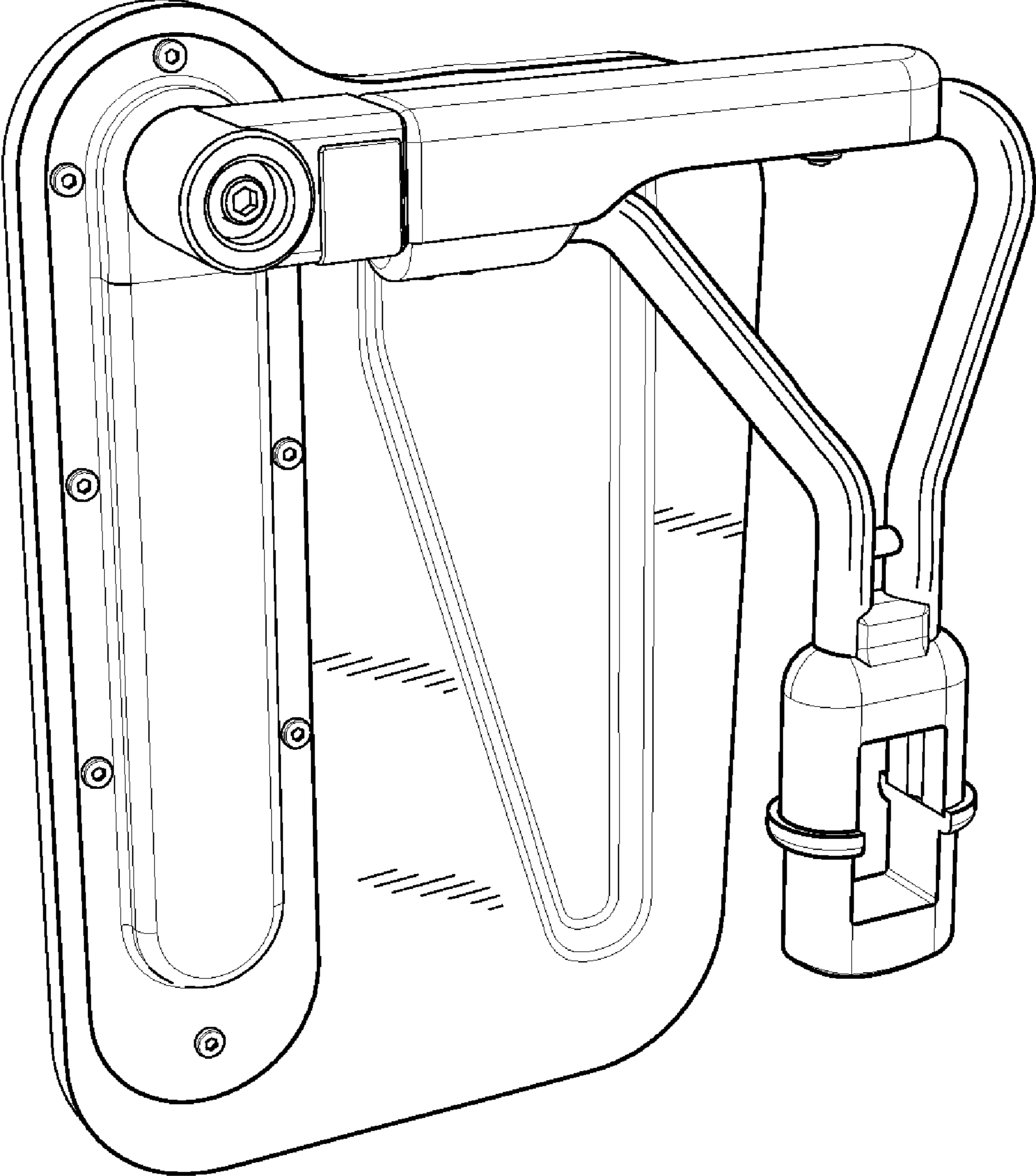


FIG. 8