



US00D608107S

(12) **United States Design Patent**
Luebcke

(10) **Patent No.:** **US D608,107 S**
(45) **Date of Patent:** **** Jan. 19, 2010**

(54) **TRANSPARENT PLASTIC SHEET MUSIC
HOLDER FOR A MUSIC STAND**

D424,330 S * 5/2000 DeWitt D6/466
6,283,432 B1 * 9/2001 Hoose, Jr. 248/441.1
D461,977 S * 8/2002 Mitchell D6/509

(76) Inventor: **Kimberly J. Luebcke**, 2340 Cara Dr.,
Troy, OH (US) 45373

* cited by examiner

(**) Term: **14 Years**

Primary Examiner—Philip S Hyder
Assistant Examiner—Sydney R Buffalow

(21) Appl. No.: **29/313,965**

(74) *Attorney, Agent, or Firm*—Jacox, Meckstroth & Jenkins

(22) Filed: **Feb. 23, 2009**

(57) **CLAIM**

(51) **LOC (9) Cl.** **06-04**

The ornamental design for a transparent plastic sheet music holder for a music stand, as shown and described.

(52) **U.S. Cl.** **D6/418**

(58) **Field of Classification Search** D6/449,
D6/466, 509, 470, 475, 553, 300, 310, 467,
D6/418; D20/19, 41–43; 211/1, 13.1, 60.1,
211/85.26, 86.01; D19/86, 90, 91, 100; 40/124,
40/745, 611; D8/367, 373, 354; 248/49,
248/451, 441.1

DESCRIPTION

See application file for complete search history.

FIG. 1 is a perspective view of a transparent plastic sheet music holder for a music stand and showing my new design; FIG. 2 is a larger perspective view thereof; FIG. 3 is a front view thereof; FIG. 4 is a rear view thereof; FIG. 5 is a side view thereof, the opposite side view being a mirror image; FIG. 6 is a top view thereof; and, FIG. 7 is a bottom view thereof.

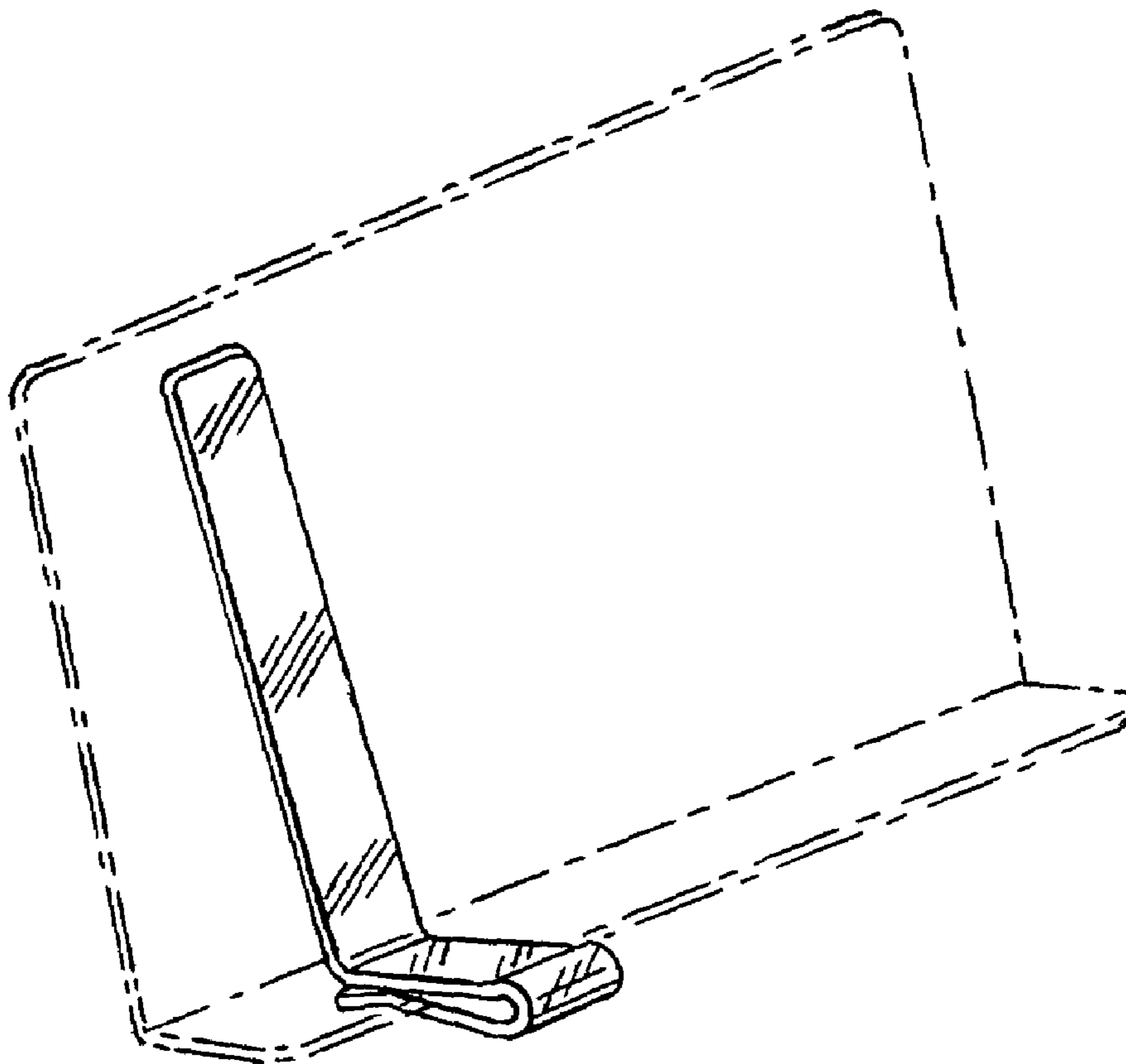
(56) **References Cited**

U.S. PATENT DOCUMENTS

3,073,056 A * 1/1963 Russell 248/451
D199,828 S * 12/1964 Regan D19/88
D215,767 S * 10/1969 Pagano D19/91
4,360,183 A 11/1982 Biasini
D285,152 S * 8/1986 Smith D6/449
D412,074 S * 7/1999 DeWitt D6/466

The music stand shown in phantom in FIG. 1 is for illustrative purpose only and forms no part of the claimed design.

1 Claim, 1 Drawing Sheet



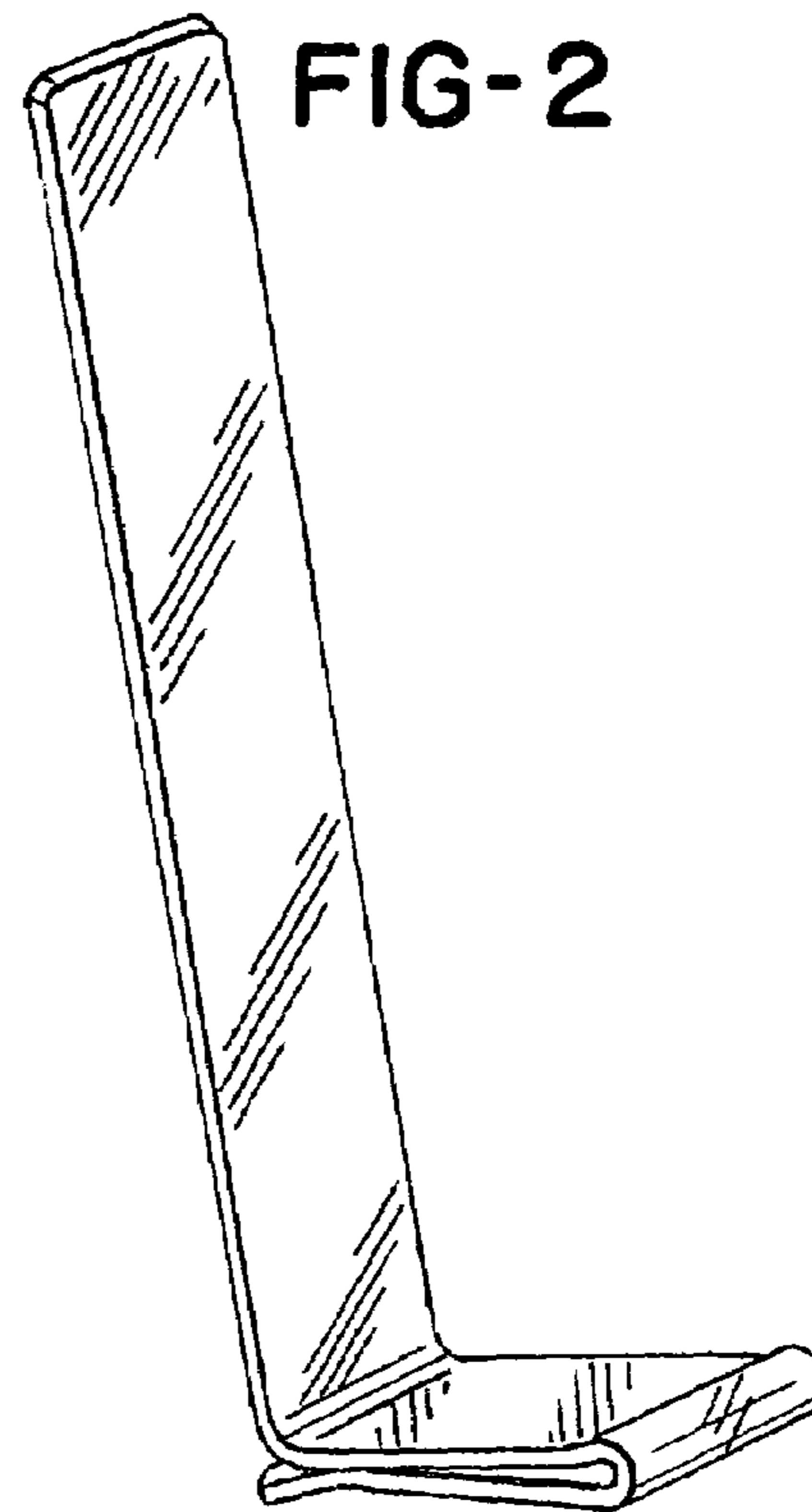
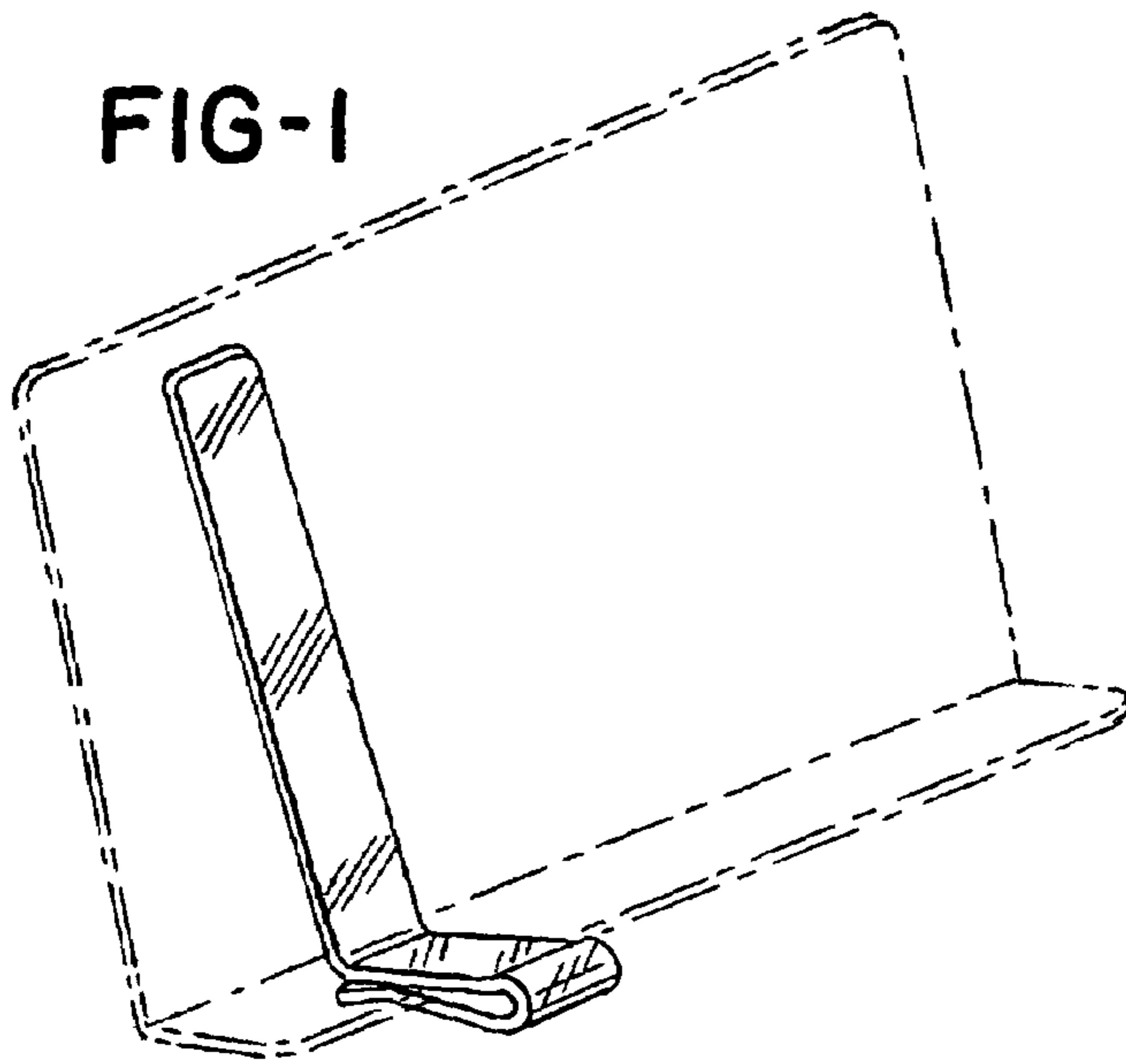


FIG-3 FIG-4 FIG-5

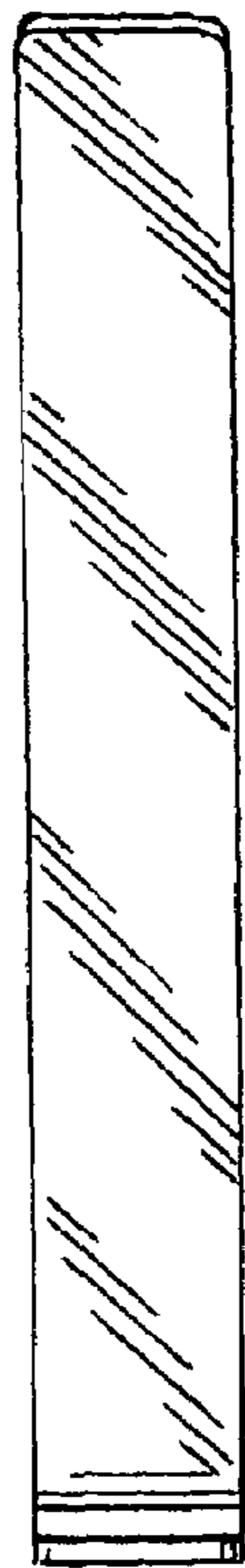
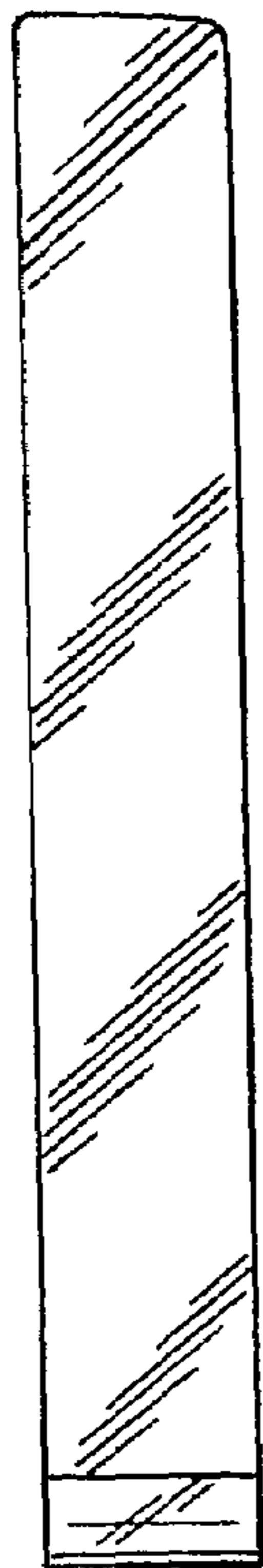


FIG-6



FIG-7

