



US00D608104S

(12) **United States Design Patent**
Vonnegut

(10) **Patent No.:** **US D608,104 S**
(45) **Date of Patent:** **** Jan. 19, 2010**

(54) **CHAIR**

(76) Inventor: **Katrina Vonnegut**, 99 Arnold St.,
Providence, RI (US) 02906

(**) Term: **14 Years**

(21) Appl. No.: **29/339,967**

(22) Filed: **Jul. 10, 2009**

(51) **LOC (9) Cl.** **06-01**

(52) **U.S. Cl.** **D6/372; D6/370**

(58) **Field of Classification Search** D6/334-336,
D6/369, 370, 371, 372, 373, 374, 375, 376,
D6/379, 380, 500-502; 297/411.4, 411.41,
297/445.1, 446.1, 448.1, 448.2, 451.3, 451.7,
297/452.2, 452.63

See application file for complete search history.

(56) **References Cited**

U.S. PATENT DOCUMENTS

D197,512 S *	2/1964	Poisson	D6/375
D224,635 S *	8/1972	Yuenger	D6/372
D224,856 S *	10/1972	Charity	D6/372
D235,288 S *	6/1975	Sullivan	D6/372

D292,048 S *	9/1987	Shaffer	D6/363
D516,330 S *	3/2006	Ruiter	D6/370
D572,927 S *	7/2008	Bernett et al.	D6/372
D590,617 S *	4/2009	Benn	D6/372

* cited by examiner

Primary Examiner—Mimosa De

(74) *Attorney, Agent, or Firm*—Roy, Kiesel,

(57) **CLAIM**

The ornamental design for an improved chair, is as shown and described.

DESCRIPTION

FIG. 1 is a perspective view of an improved chair incorporating the inventive design.

FIG. 2 is a top view thereof;

FIG. 3 is a bottom view thereof;

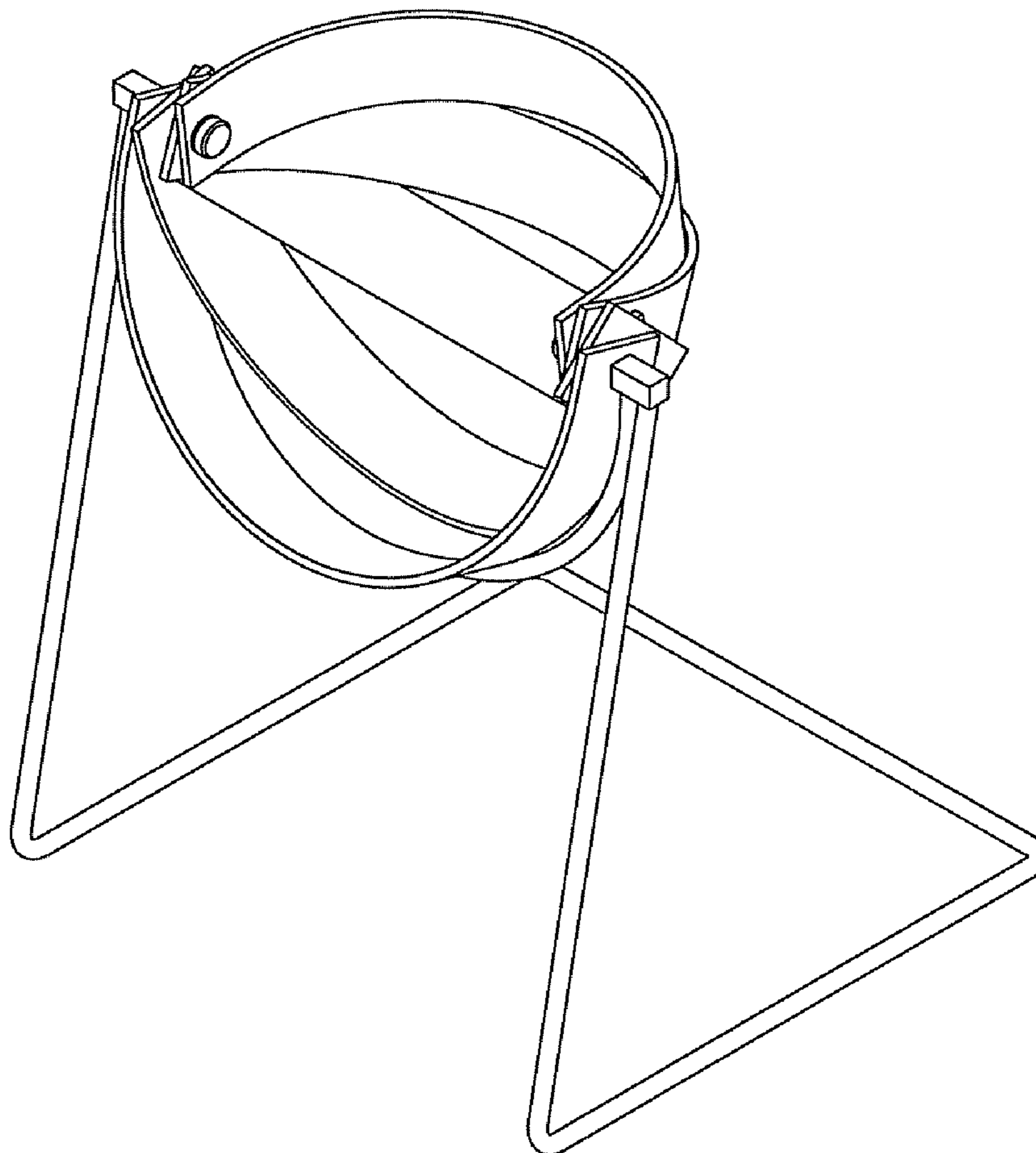
FIG. 4 is a front view thereof;

FIG. 5 is a back view thereof;

FIG. 6 is a right view thereof; and,

FIG. 7 is a left view thereof.

1 Claim, 4 Drawing Sheets



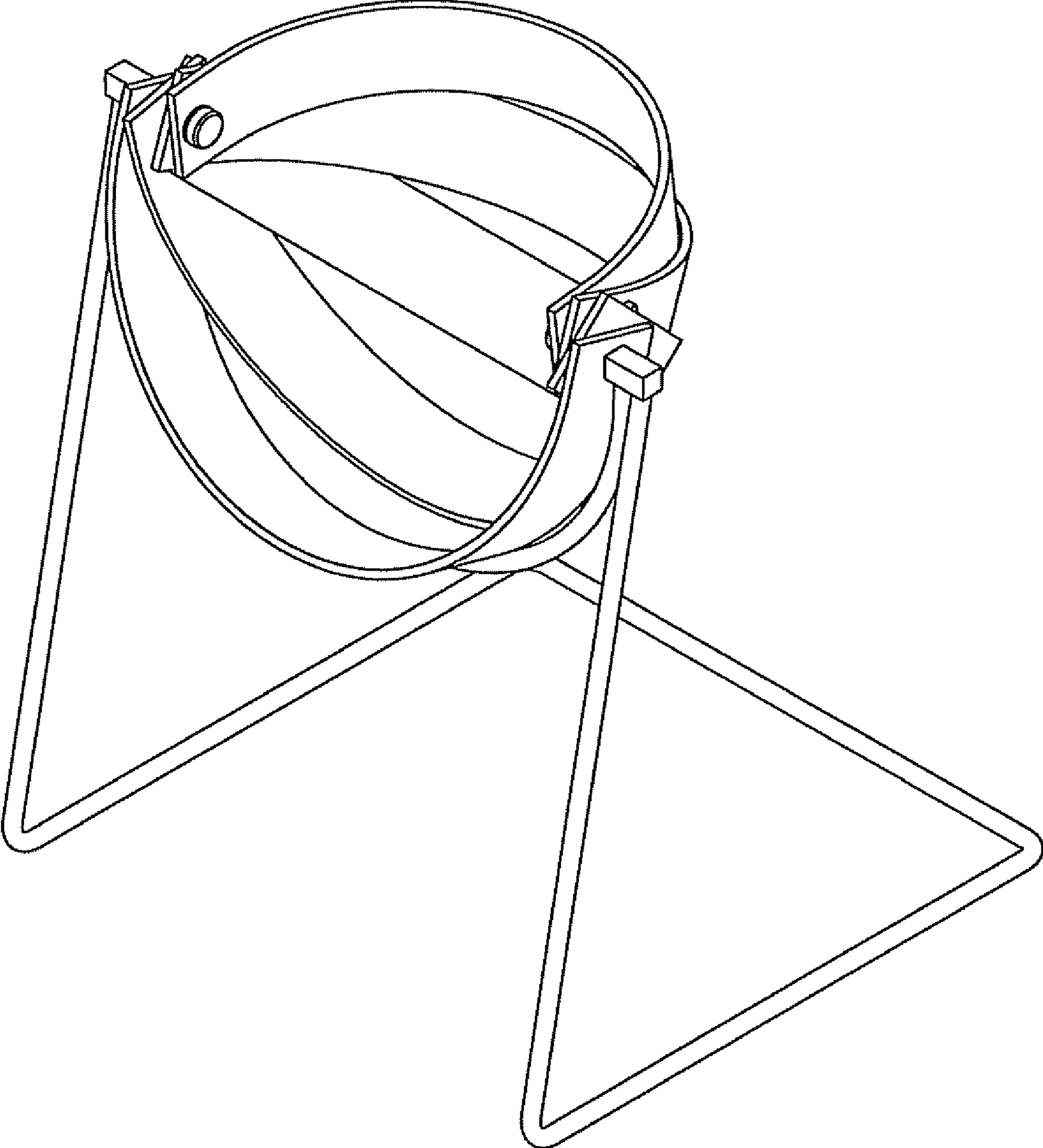


FIG. 1

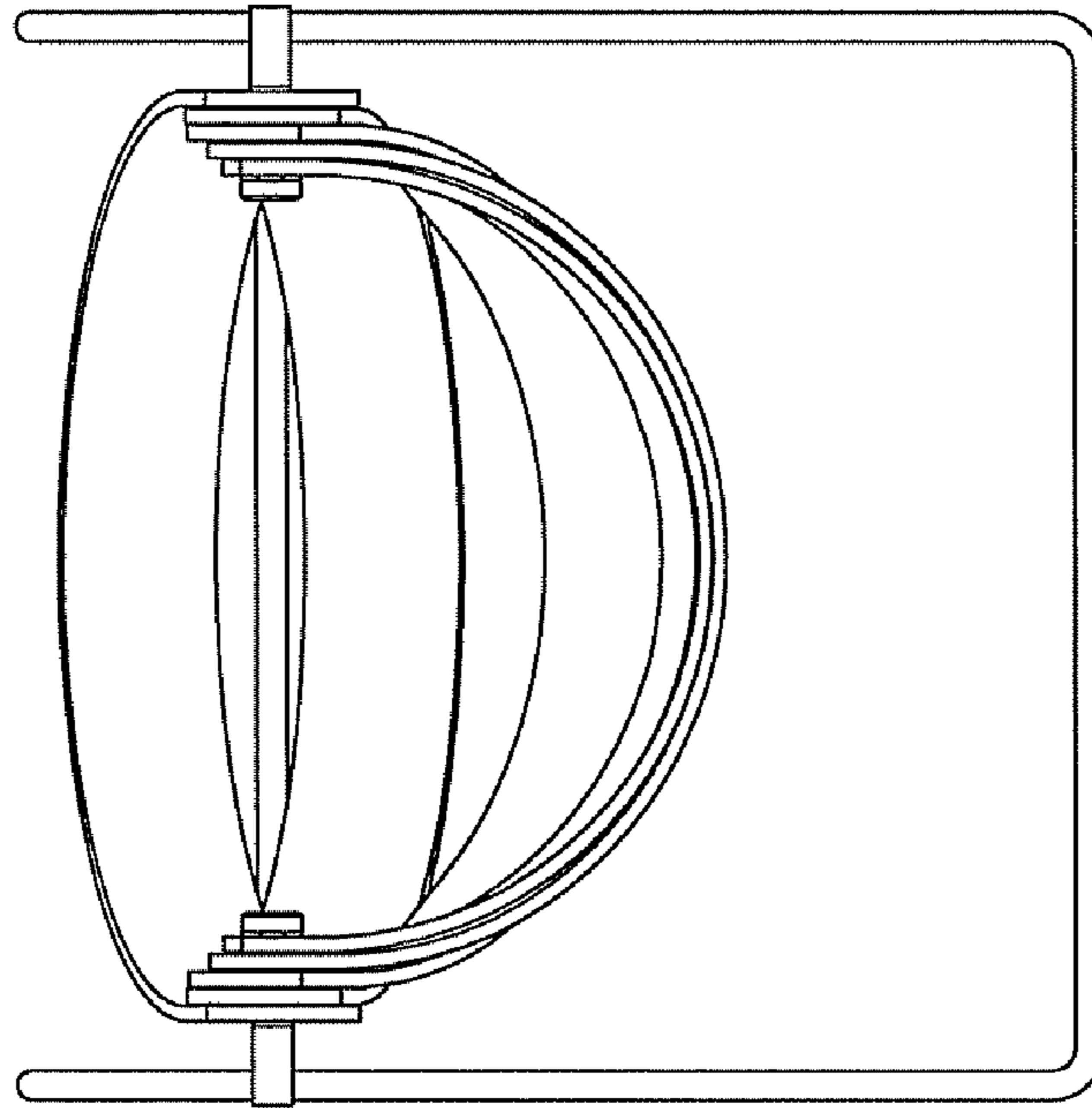


FIG. 2

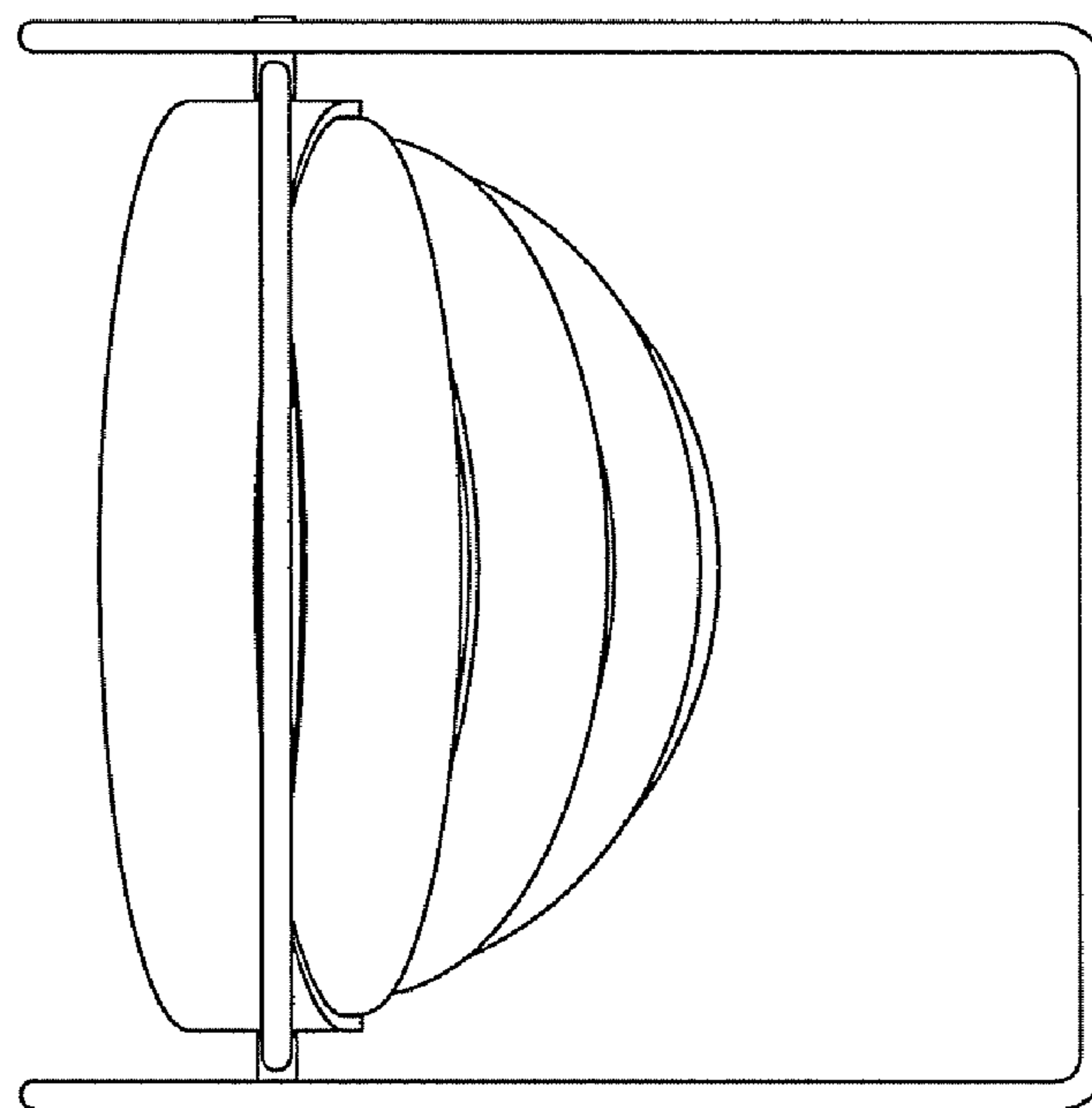


FIG. 3

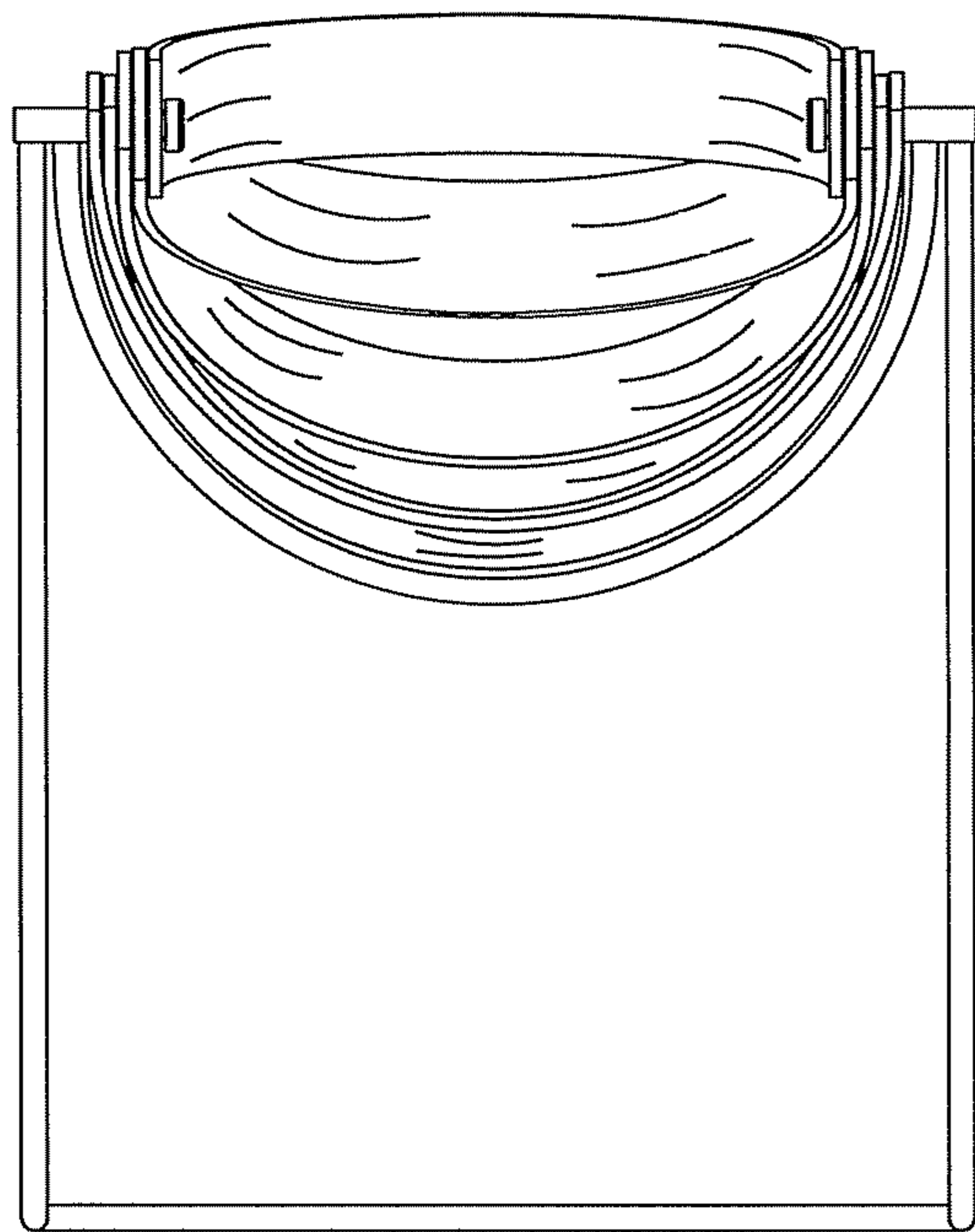


FIG. 4

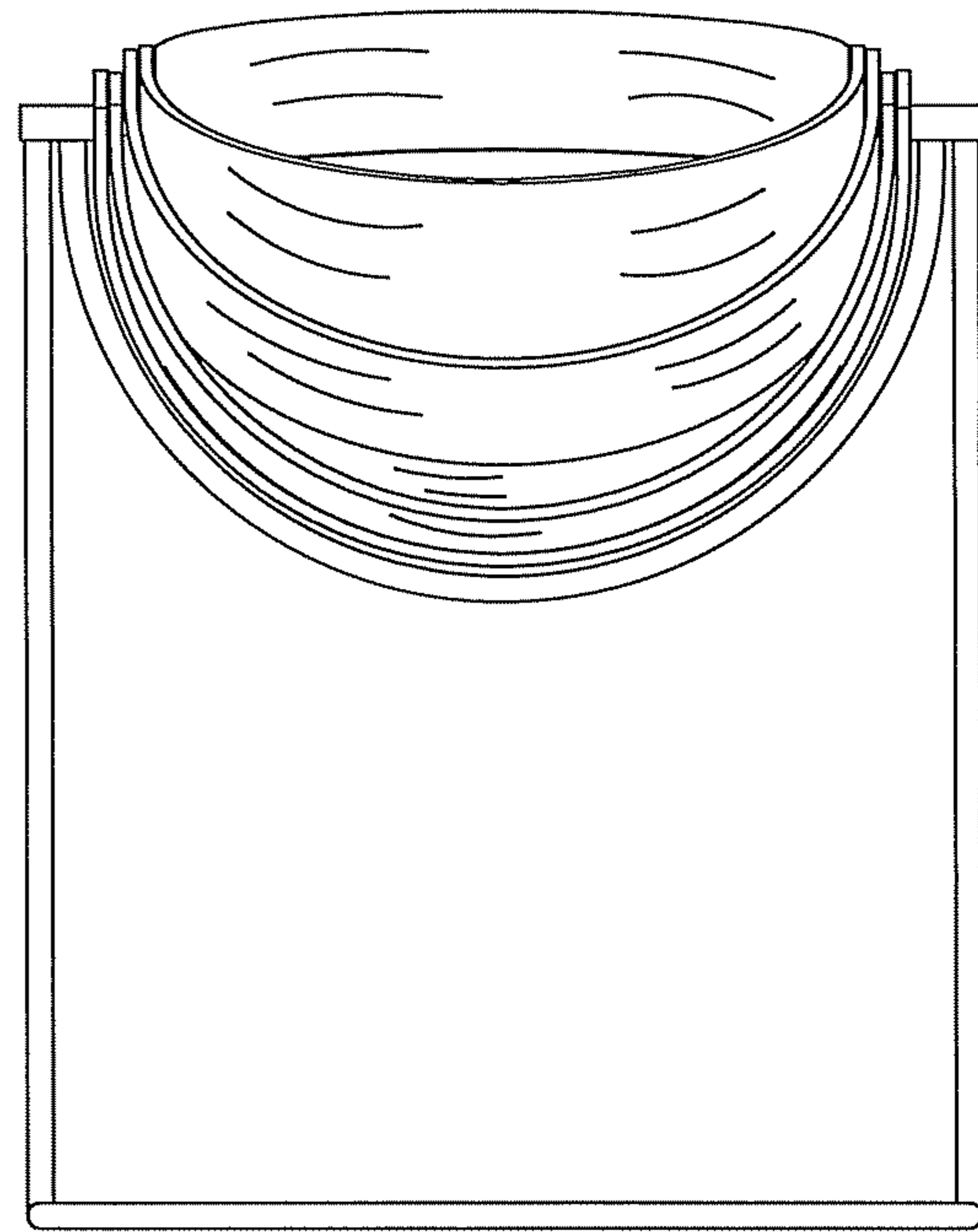


FIG. 5

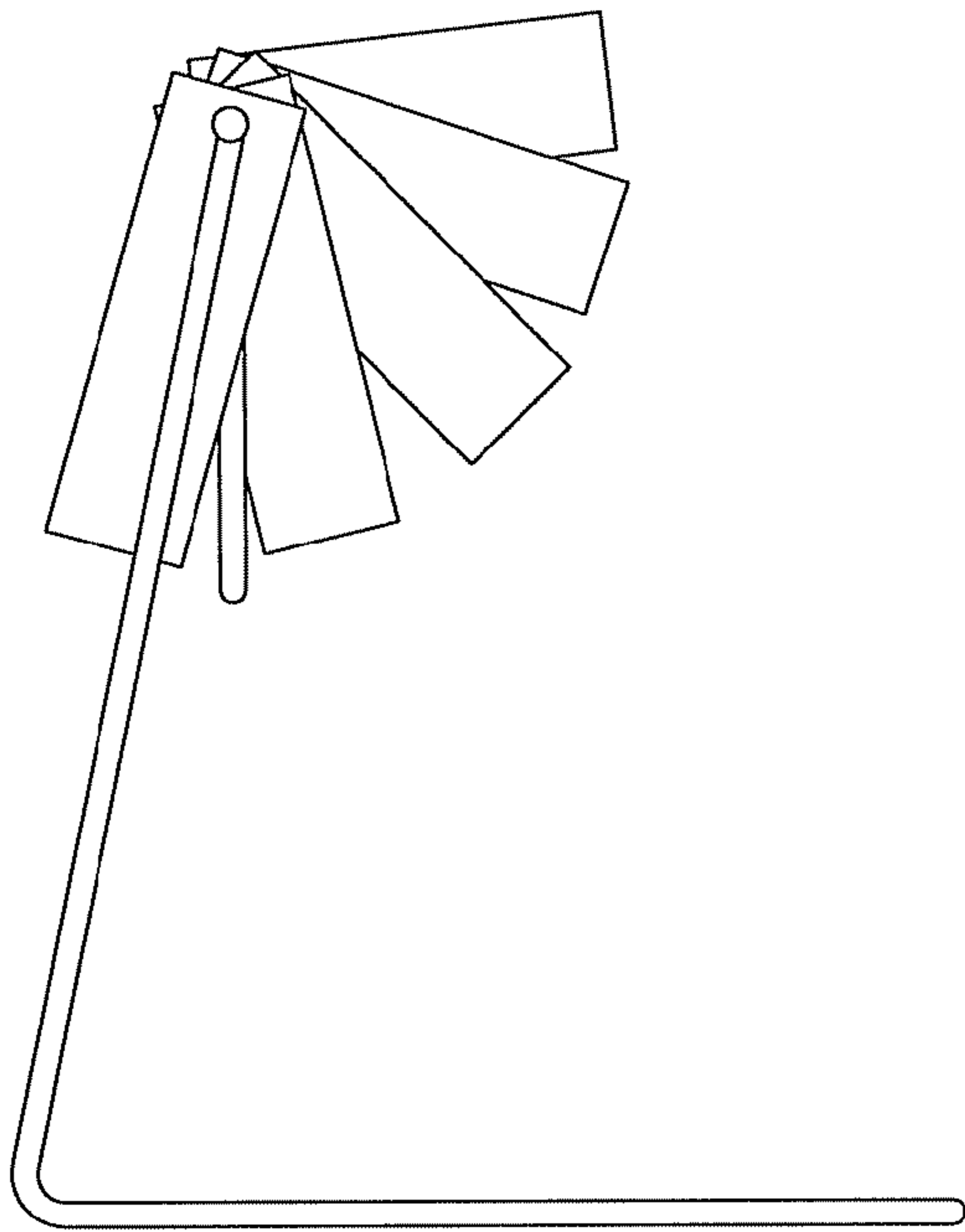


FIG. 6

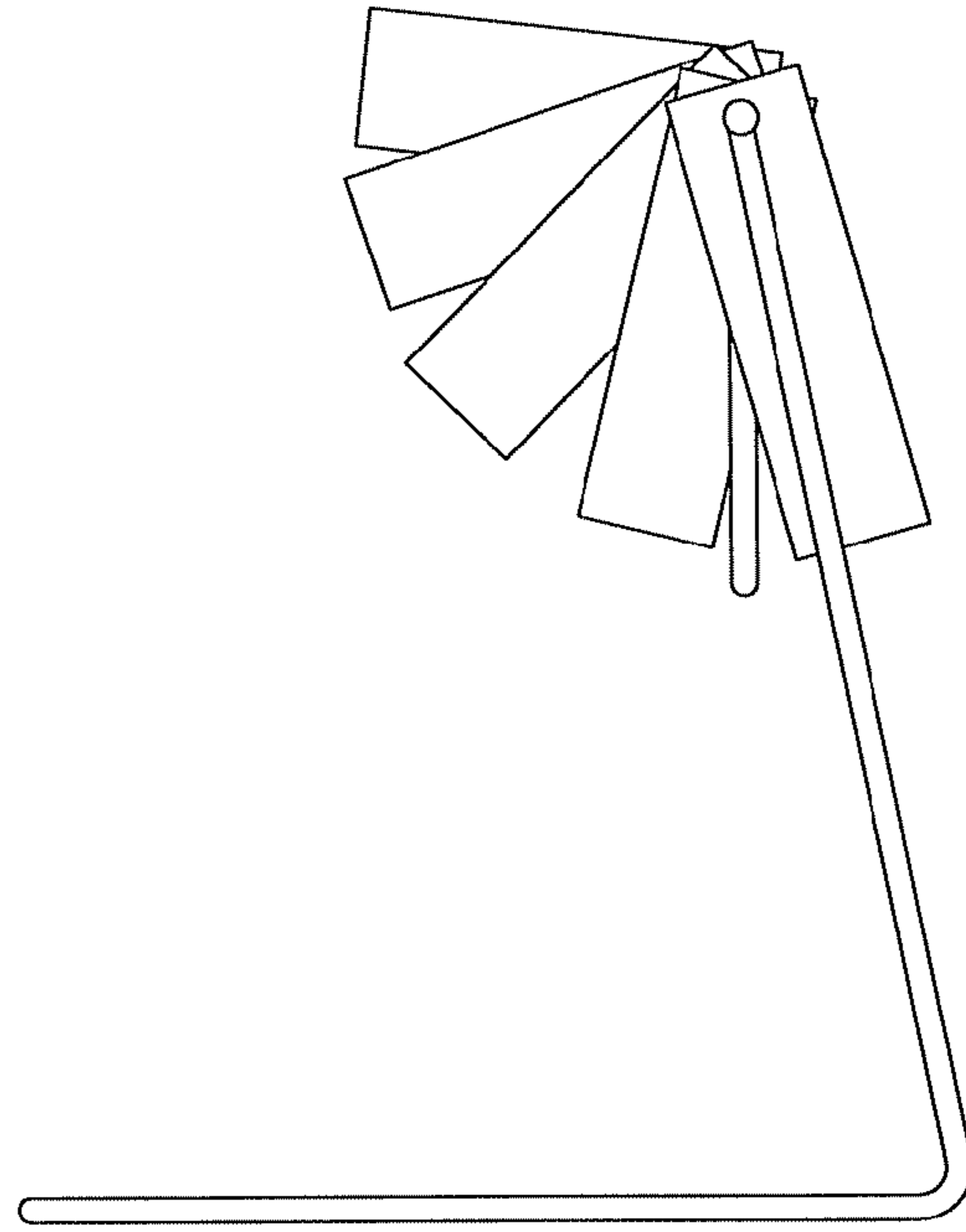


FIG. 7