



US00D608103S

(12) **United States Design Patent**
Adams et al.

(10) **Patent No.:** **US D608,103 S**
(45) **Date of Patent:** **** Jan. 19, 2010**

(54) **CANTILEVER CHAIR FRAME**

2004/0104613 A1* 6/2004 Bosman et al. 297/451.3

(76) Inventors: **Sumner Adams**, 1541 Creekstone Dr.,
NE., Corydon, IN (US) 47112; **Lon**
Amerman, 6717 Sycamore Woods Dr.,
Louisville, KY (US) 40241; **Dan Seiler**,
609 E. 7th St., Cameron, TX (US) 76520

* cited by examiner

Primary Examiner—Mimosa De
(74) *Attorney, Agent, or Firm*—George M. Tompkins;
Tompkins PC

(**) Term: **14 Years**

(57) **CLAIM**

(21) Appl. No.: **29/277,567**

The ornamental design for a cantilever chair frame, as shown
and described.

(22) Filed: **Mar. 1, 2007**

DESCRIPTION

(51) **LOC (9) Cl.** **06-01**

FIG. 1 is a perspective view of the cantilever chair frame of
the present invention.

(52) **U.S. Cl.** **D6/372**

FIG. 2 is a side view of the cantilever chair frame of the
present invention.

(58) **Field of Classification Search** D6/334-336,
D6/348, 366, 371, 372, 373, 374, 375, 376,
D6/379, 380, 499, 500-502; 297/239, 445.1,
297/446.1, 446.2, 448.1, 451.3, 452.12, 452.14,
297/452.2, 452.46

FIG. 3 is a front view of the cantilever chair frame of the
present invention.

See application file for complete search history.

FIG. 4 is an opposite side view of the cantilever chair frame of
the present invention.

(56) **References Cited**

FIG. 5 is a top view of the cantilever frame of the present
invention.

U.S. PATENT DOCUMENTS

FIG. 6 is a rear view of the cantilever chair frame of the
present invention; and,

D474,348 S * 5/2003 Bosman et al. D6/372

FIG. 7 is a bottom view of the cantilever chair frame of the
present invention.

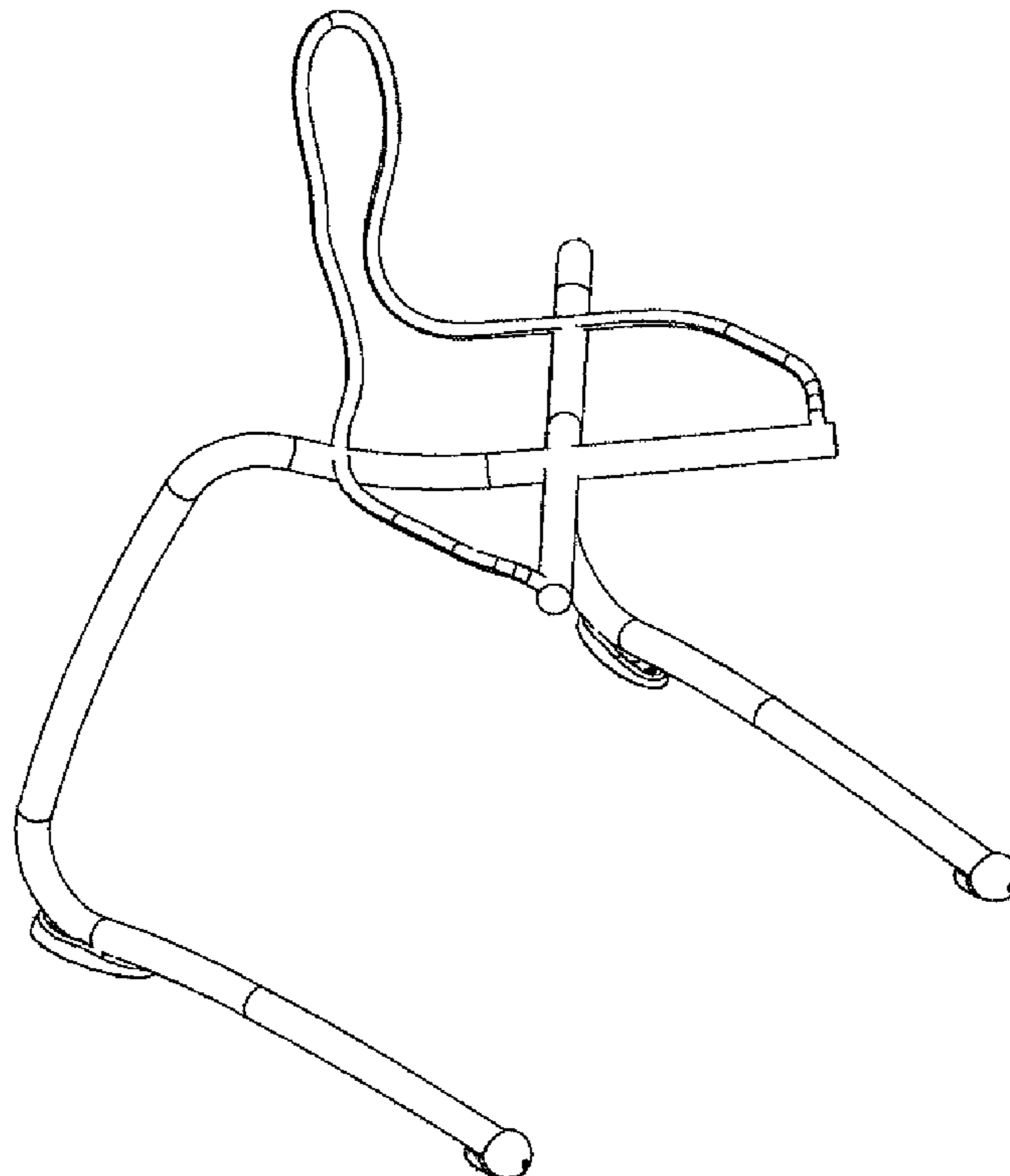
D503,559 S * 4/2005 Glass et al. D6/372

D512,252 S * 12/2005 Glass et al. D6/499

D526,134 S * 8/2006 Glass et al. D6/348

2003/0227210 A1* 12/2003 Bosman et al. 297/446.2

1 Claim, 7 Drawing Sheets



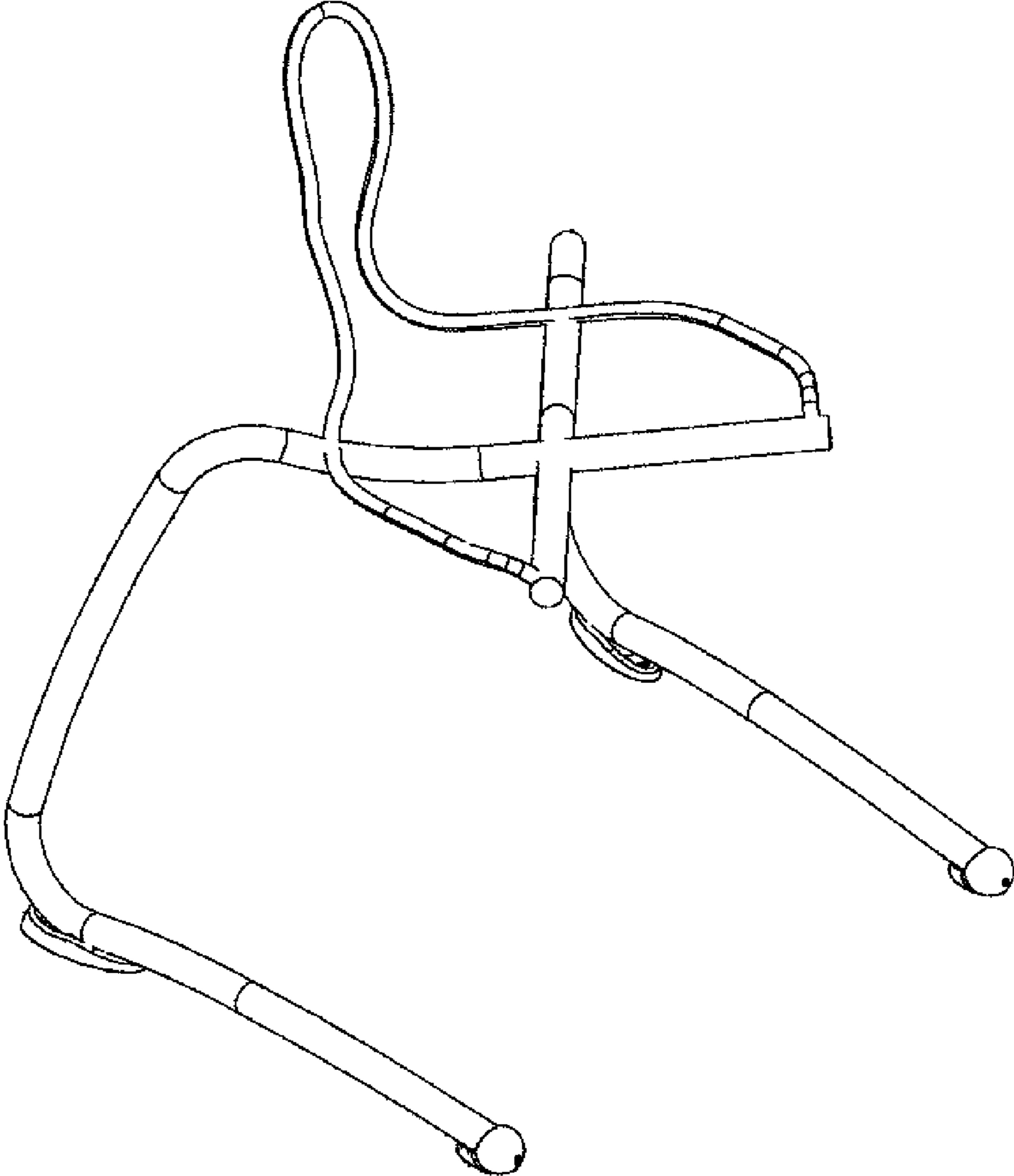


FIG. 1

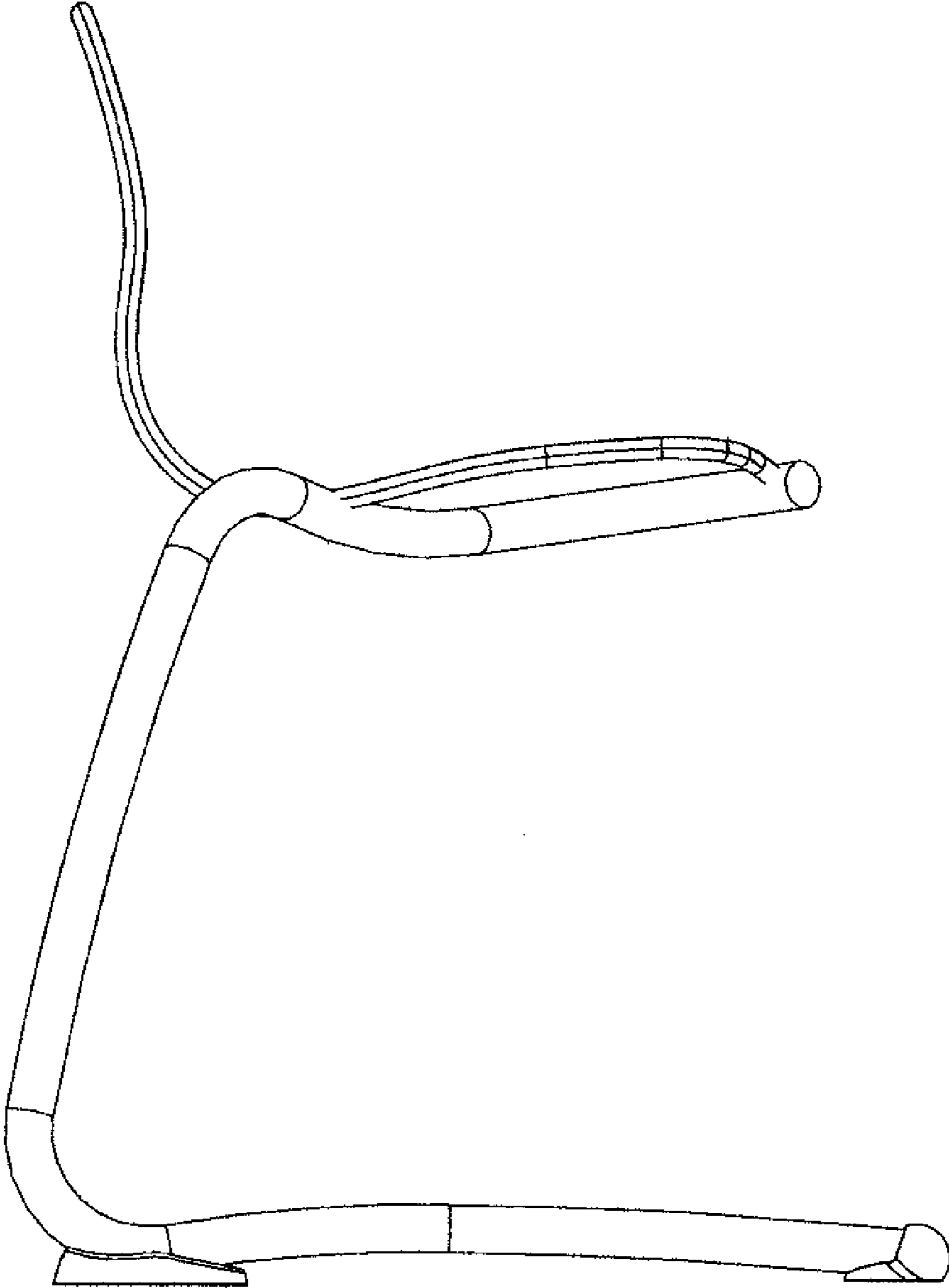


FIG. 2

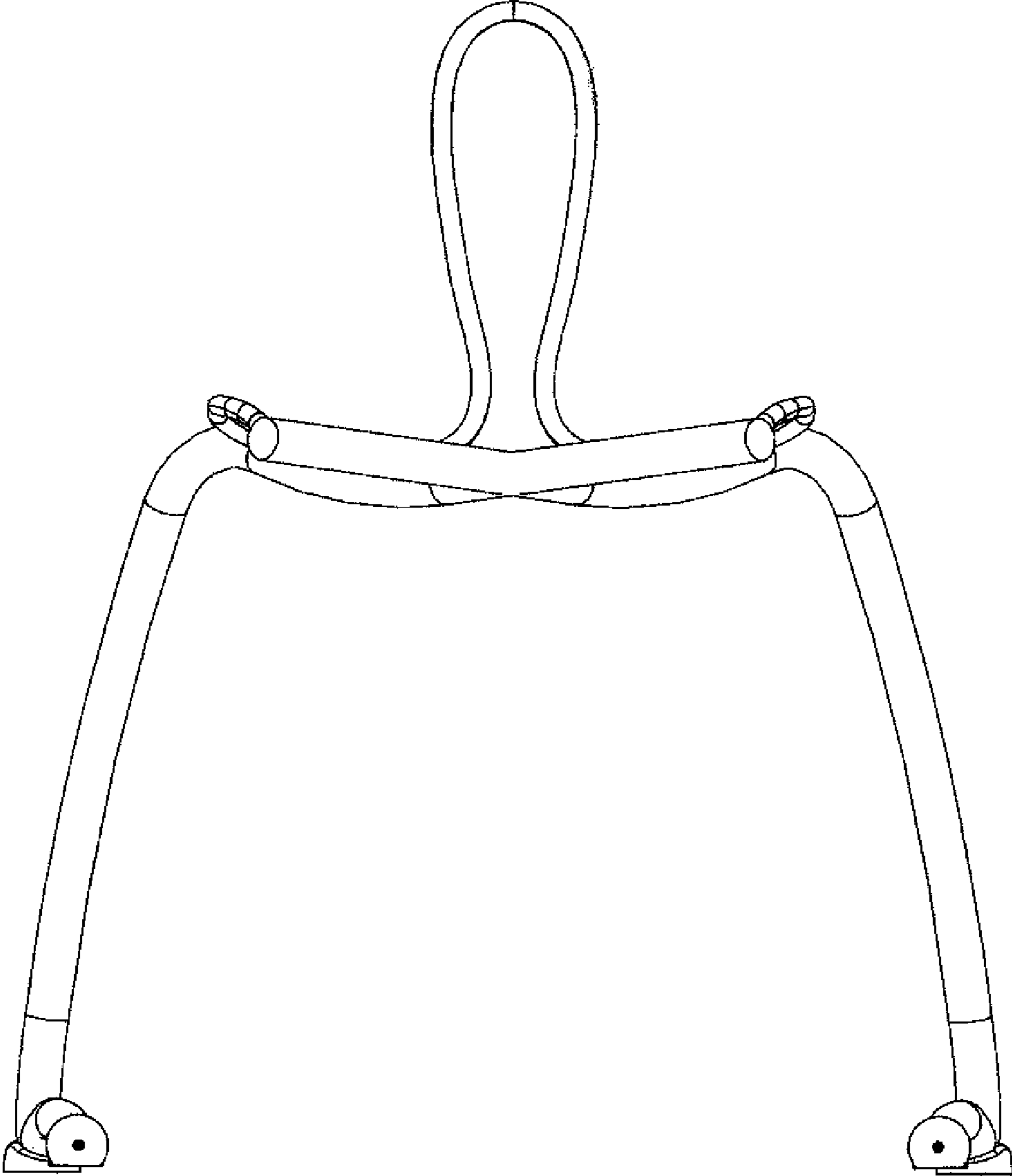


FIG. 3

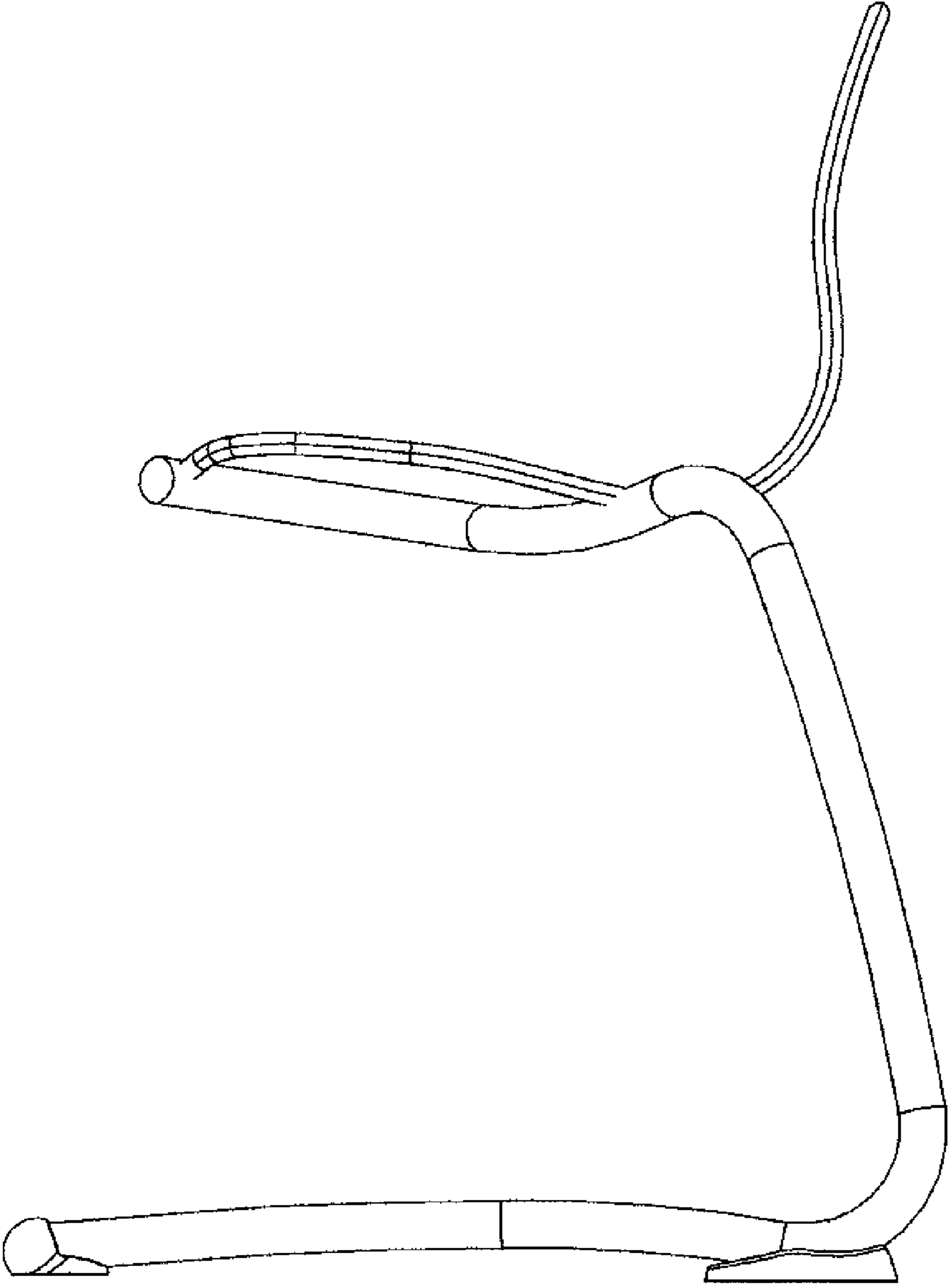


FIG. 4

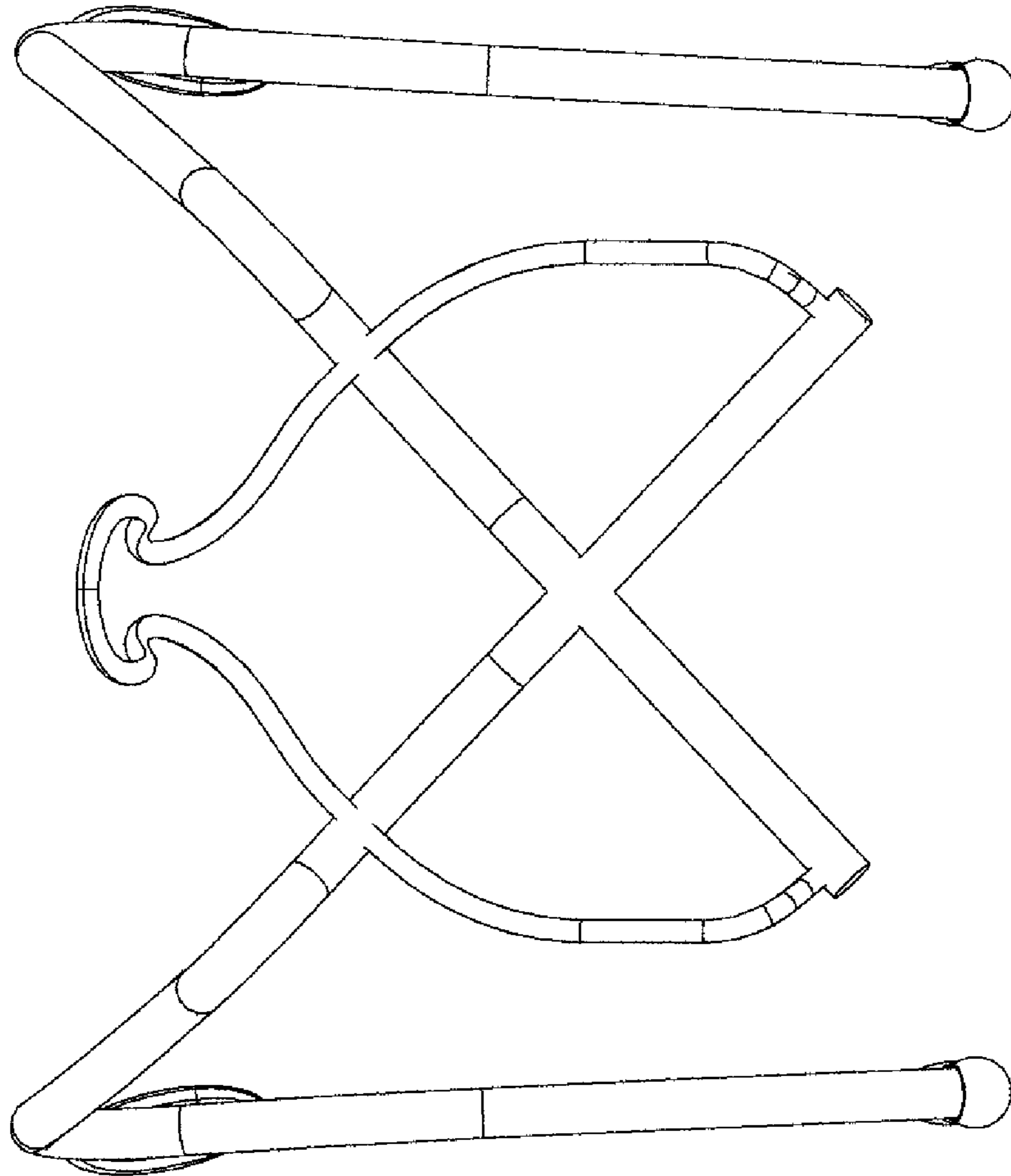


FIG. 5

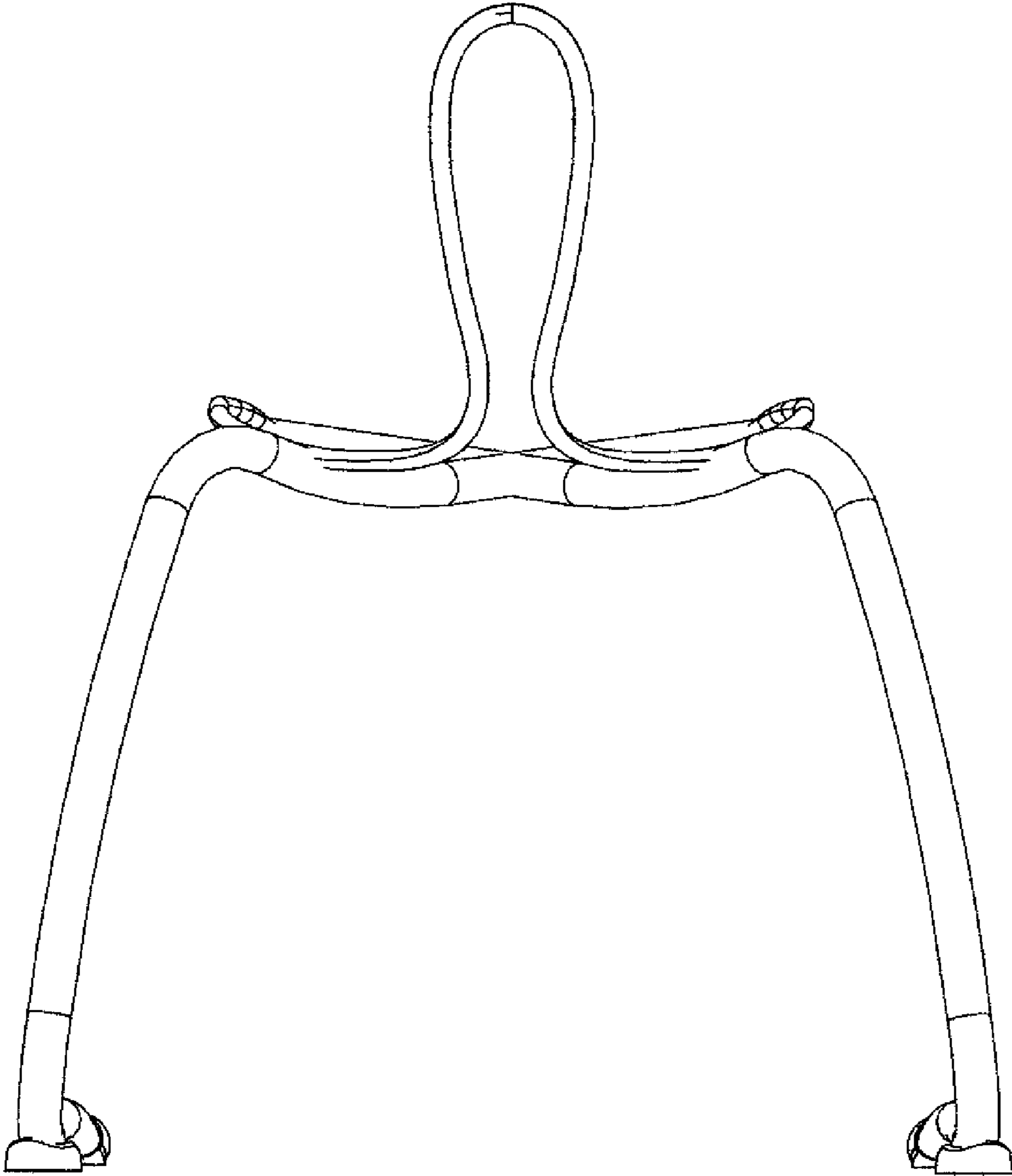


FIG. 6

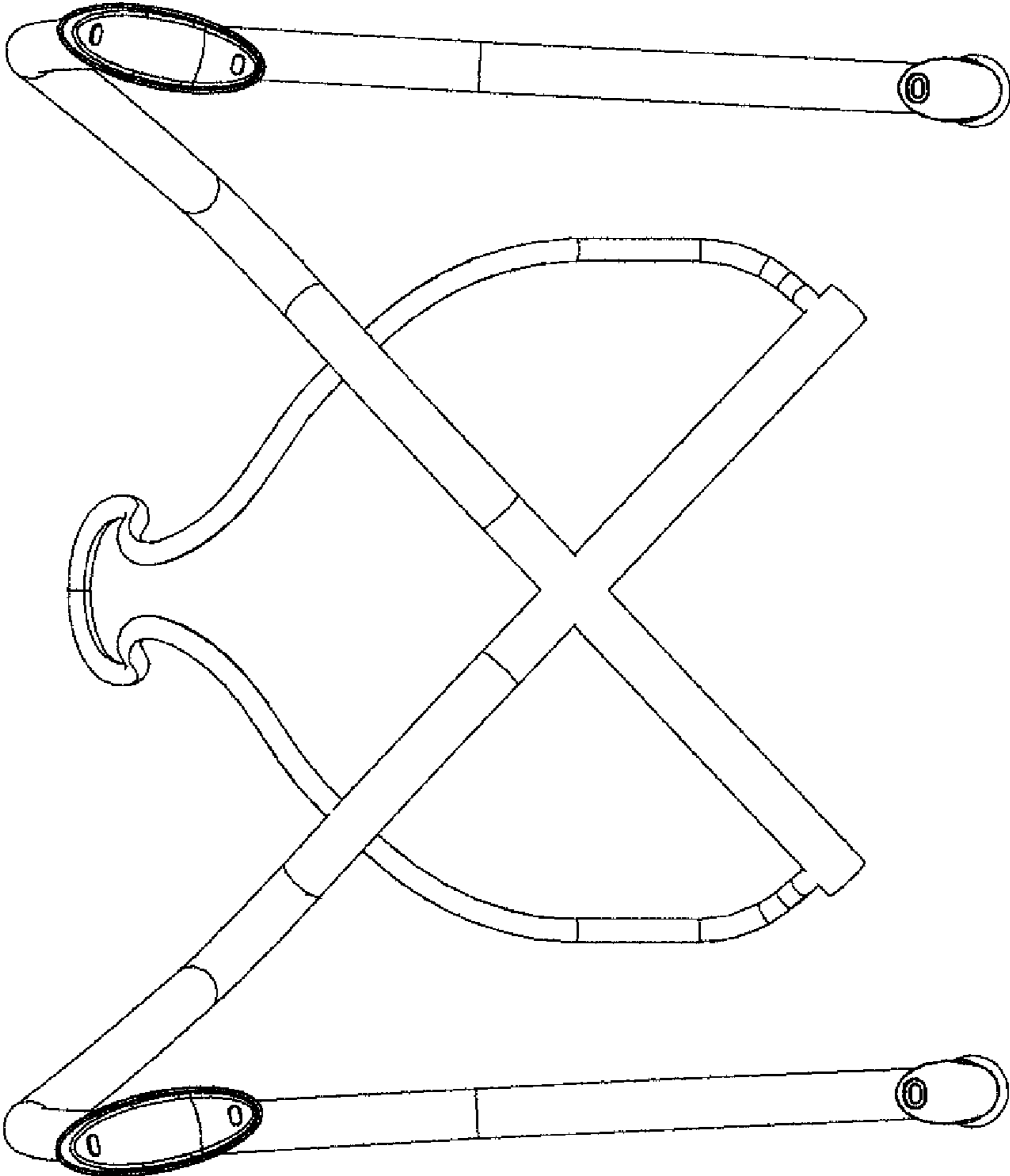


FIG. 7