



US00D608102S

(12) **United States Design Patent**
Kemm

(10) **Patent No.:** **US D608,102 S**
(45) **Date of Patent:** **** Jan. 19, 2010**

(54) **SEAT**

(76) **Inventor:** **Leslie Gudel Kemm**, 531 Winston Way,
Berwyn, PA (US) 19312

(**) **Term:** **14 Years**

(21) **Appl. No.:** **29/329,843**

(22) **Filed:** **Dec. 22, 2008**

(51) **LOC (9) Cl.** **06-01**

(52) **U.S. Cl.** **D6/361**

(58) **Field of Classification Search** D6/334–336,
D6/360, 361, 374, 375, 376, 500–502, 596,
D6/601; 5/630, 655; 297/250.1, 284.1, 284.4,
297/440.23, 445.1, 452.12, 452.17, 452.19
See application file for complete search history.

(56) **References Cited**

U.S. PATENT DOCUMENTS

2,876,459	A	3/1959	Ackerson	
3,729,752	A	5/1973	Huggins	
4,027,888	A *	6/1977	Wilcox	297/452.17
4,383,713	A	5/1983	Roston	
D276,577	S *	12/1984	Fitch	D6/361
D278,004	S *	3/1985	Sigona	D6/361
4,631,766	A	12/1986	Semmler et al.	
5,127,120	A	7/1992	Mason	
D333,752	S	3/1993	Mason	
5,440,770	A	8/1995	Nichols	
D363,828	S *	11/1995	Lockwood	D6/375
D372,805	S *	8/1996	Bonaddio et al.	D6/375
6,175,981	B1	1/2001	Lizama et al.	
6,647,572	B2	11/2003	Lee	
6,823,545	B1 *	11/2004	Davis	5/630

D500,622	S	1/2005	Owen	
6,877,176	B2	4/2005	Houghteling	
D526,498	S *	8/2006	Jimenez et al.	D6/361
D530,933	S *	10/2006	Vitaro	D6/361
7,234,181	B1	6/2007	Griggs	
2007/0022537	A1 *	2/2007	Faustick	5/655
2008/0178387	A1 *	7/2008	Kachtick-Anders	5/655
2009/0056025	A1 *	3/2009	Kemm	5/655

* cited by examiner

Primary Examiner—Mimosa De

(74) *Attorney, Agent, or Firm*—Blank Rome LLP

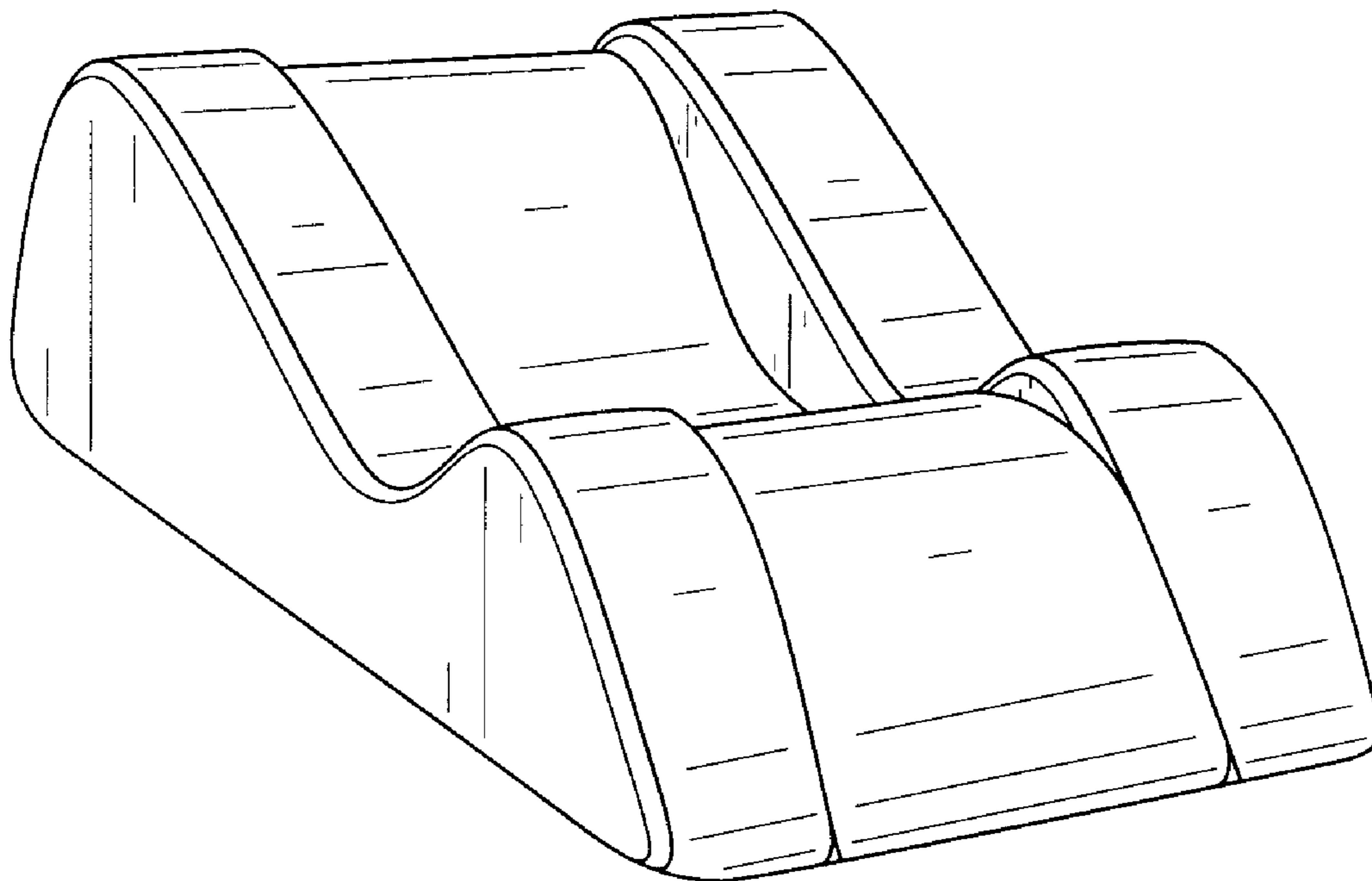
(57) **CLAIM**

The ornamental design for a seat, as shown and described.

DESCRIPTION

FIG. 1 is a front perspective view of the seat of the design;
 FIG. 2 is a front elevational view of the seat illustrated in FIG. 1;
 FIG. 3 is a rear elevational view of the seat illustrated in FIGS. 1–2;
 FIG. 4 is a right side elevational view of the seat illustrated in FIGS. 1–3;
 FIG. 5 is a left side elevational view of the seat illustrated in FIGS. 1–4;
 FIG. 6 is a top plan view of the seat SEAT illustrated in FIGS. 1–5; and,
 FIG. 7 is a bottom plan view of the seat SEAT illustrated in FIGS. 1–6.

1 Claim, 5 Drawing Sheets



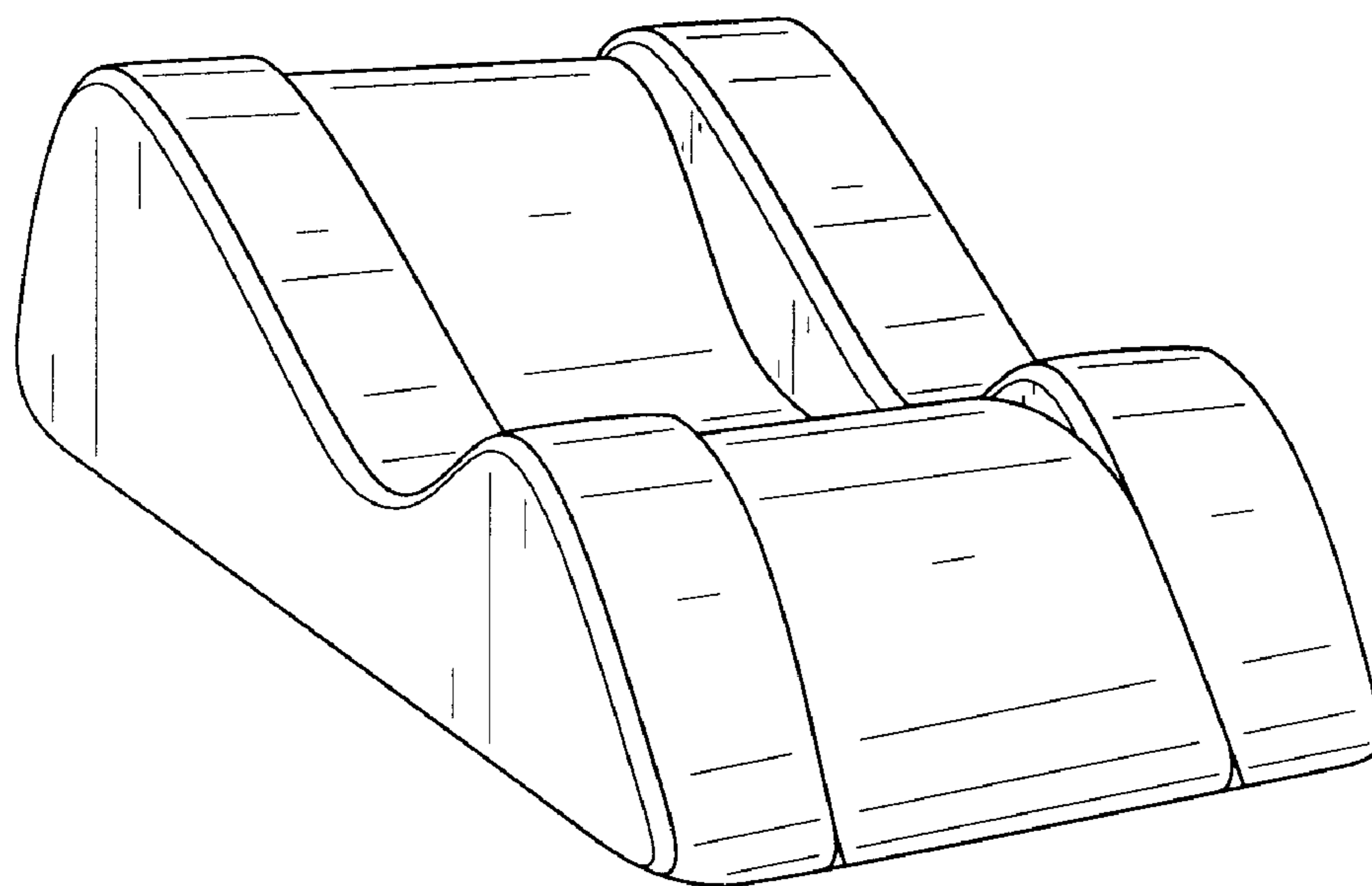


FIG. 1

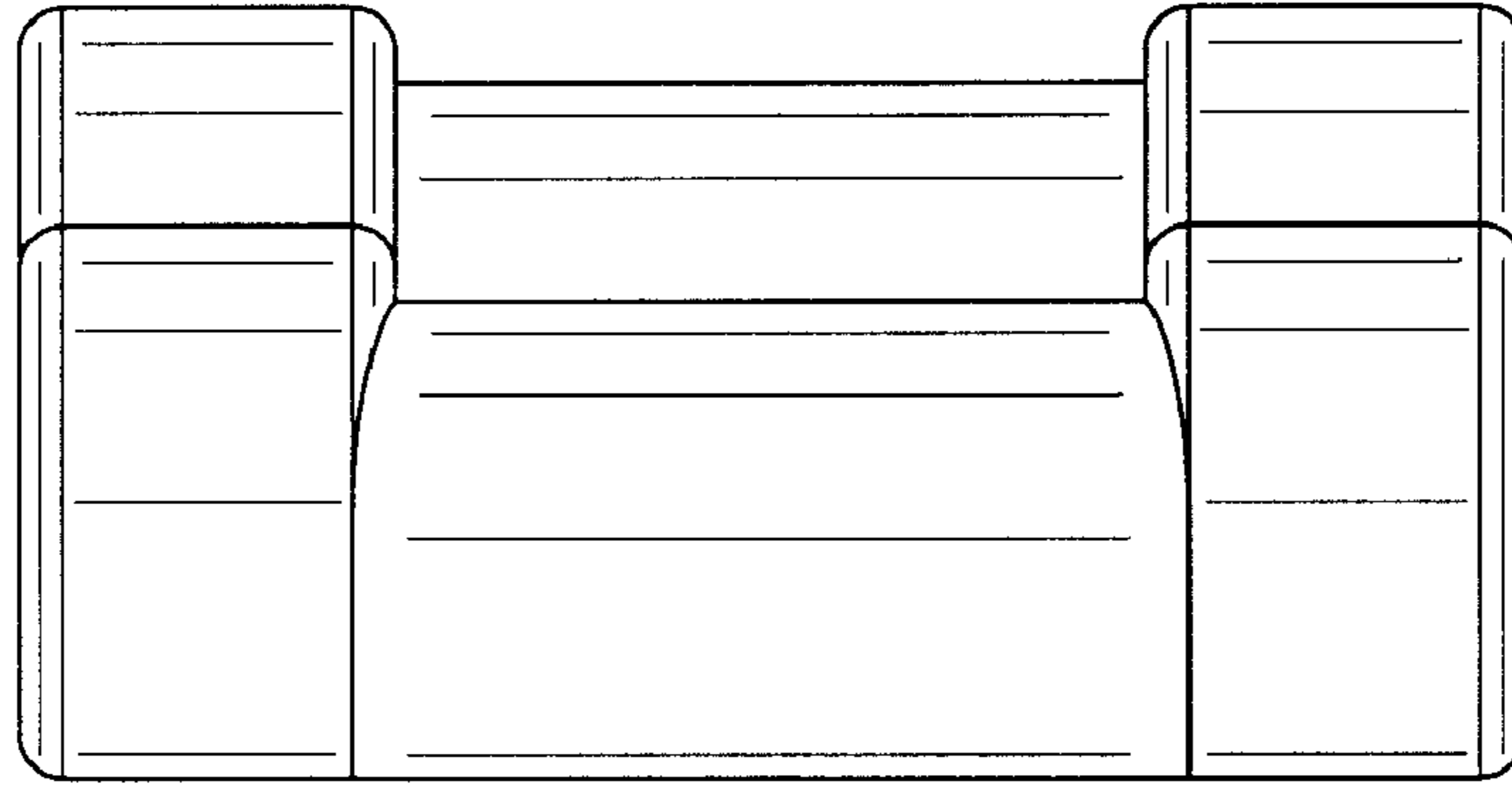


FIG. 2

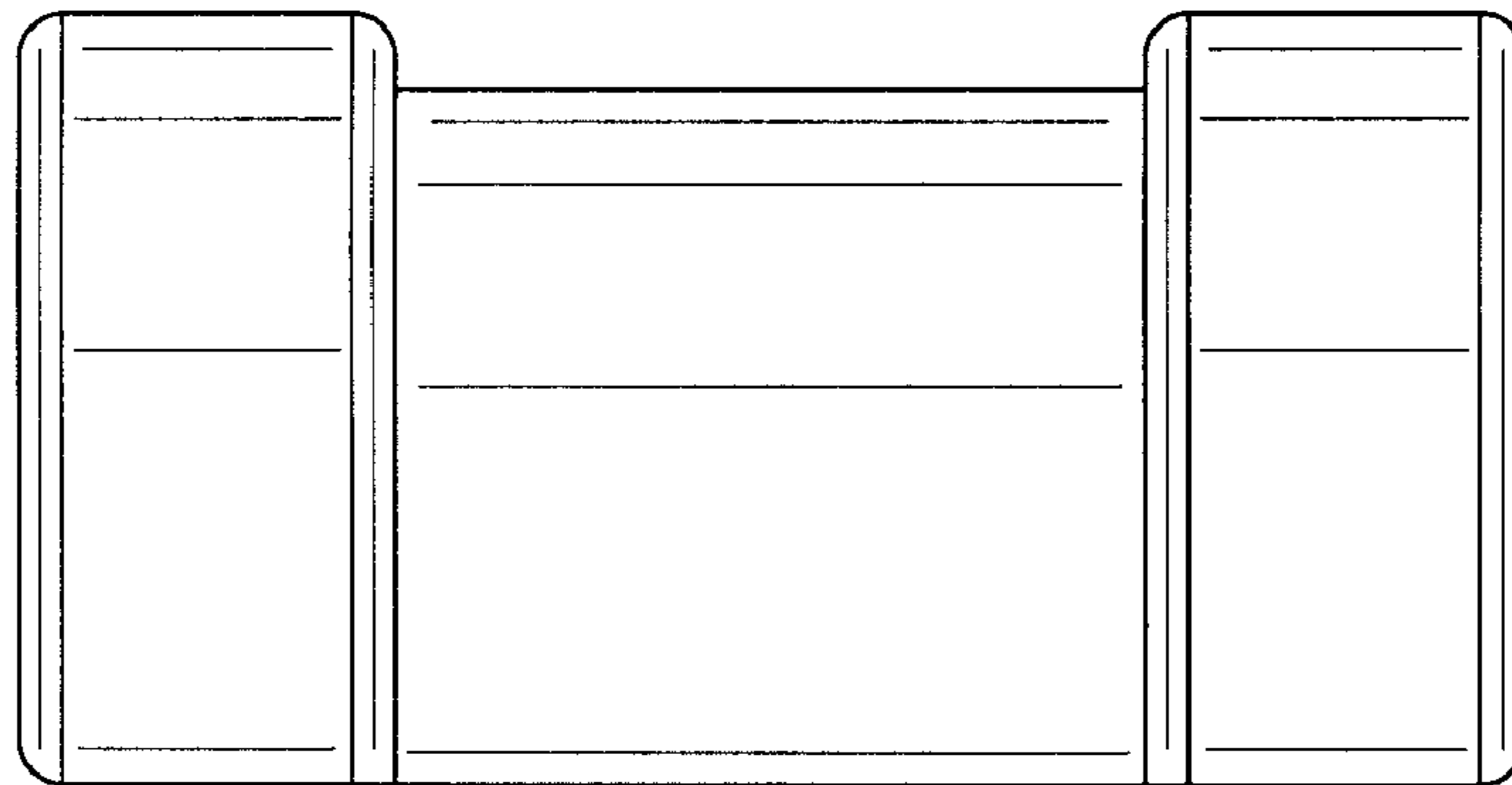


FIG. 3

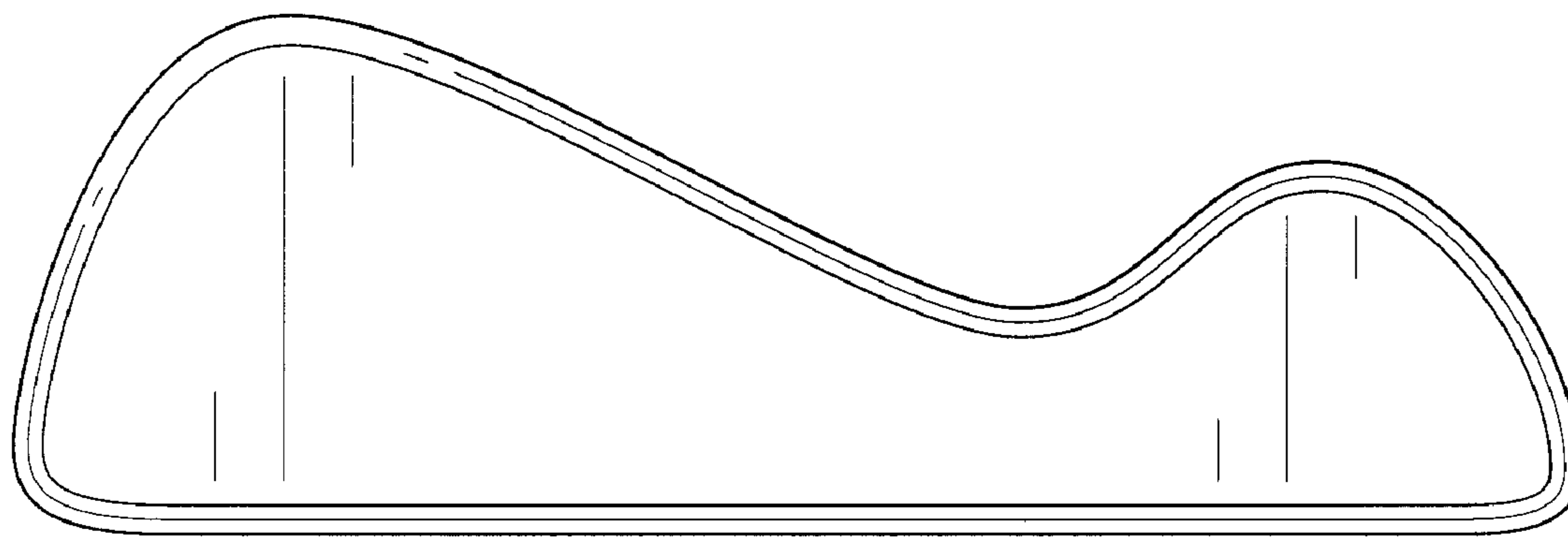


FIG. 4

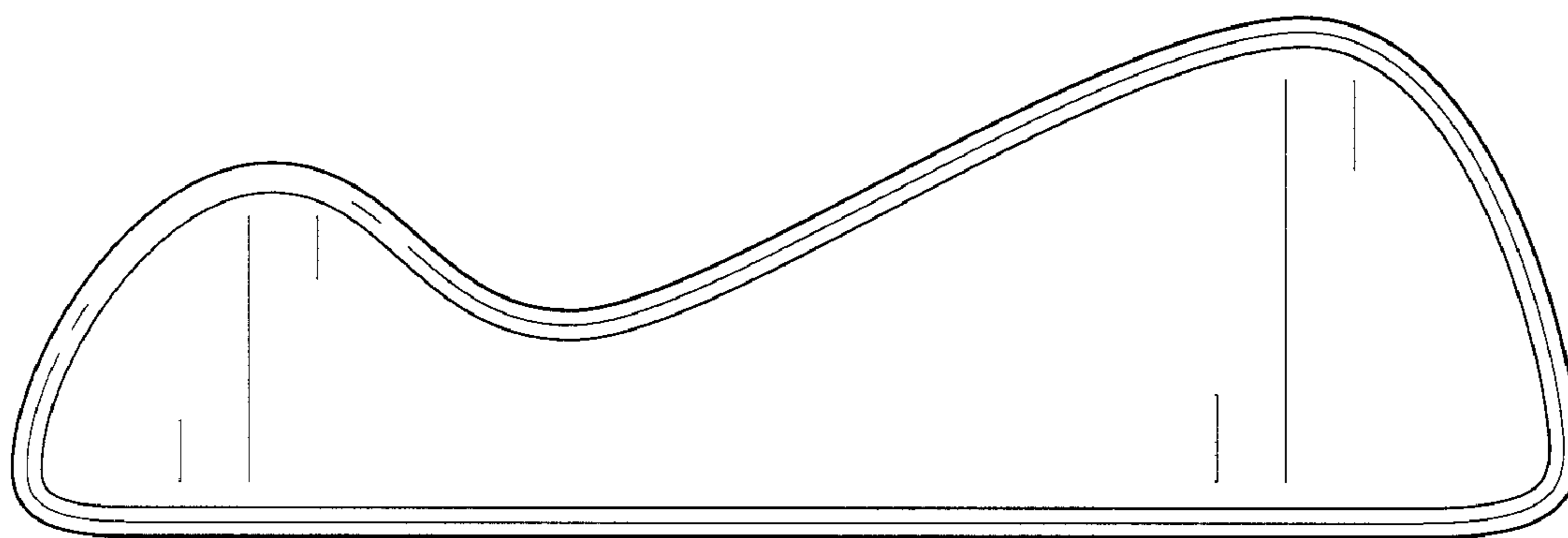


FIG. 5

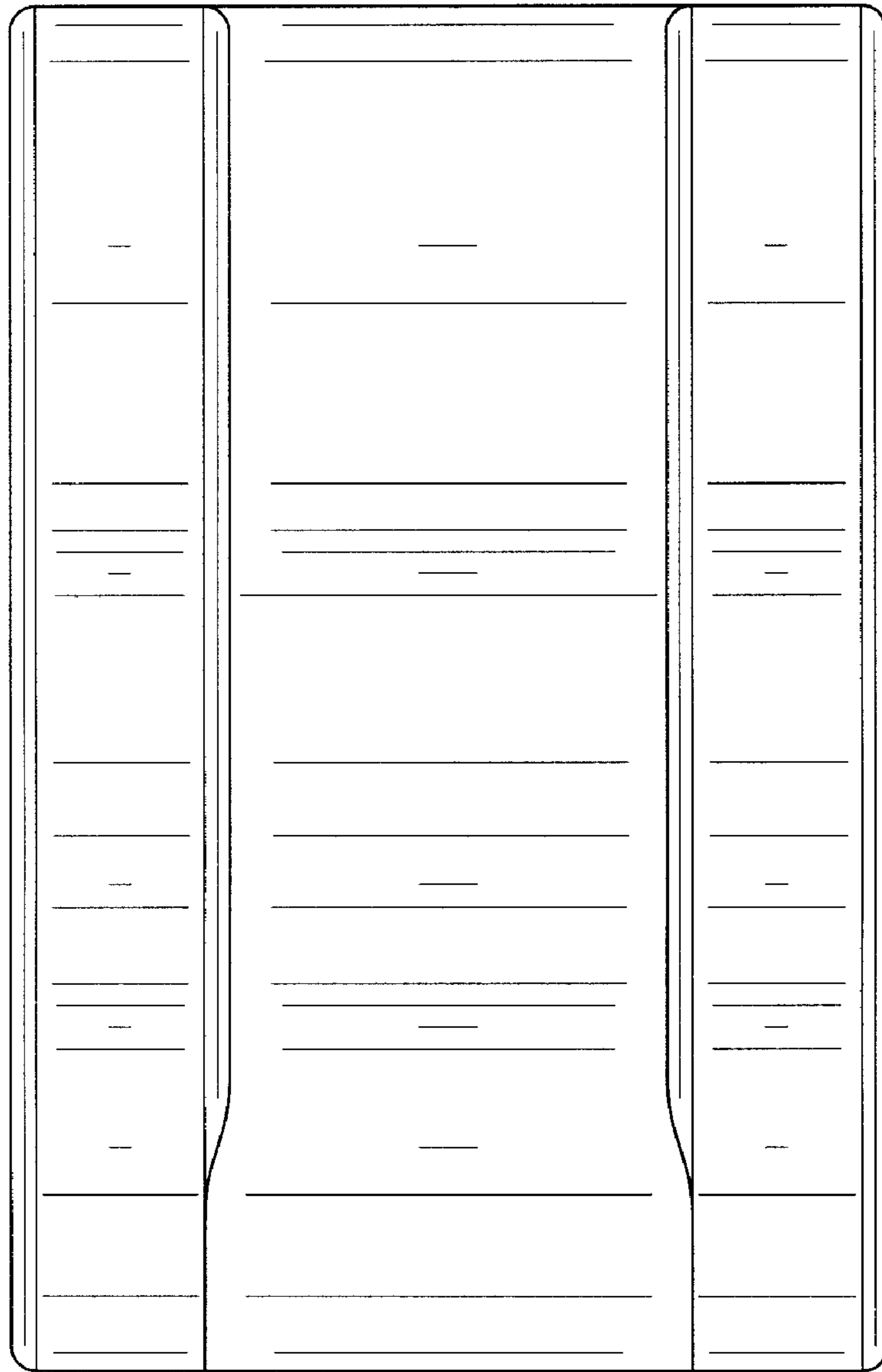


FIG. 6

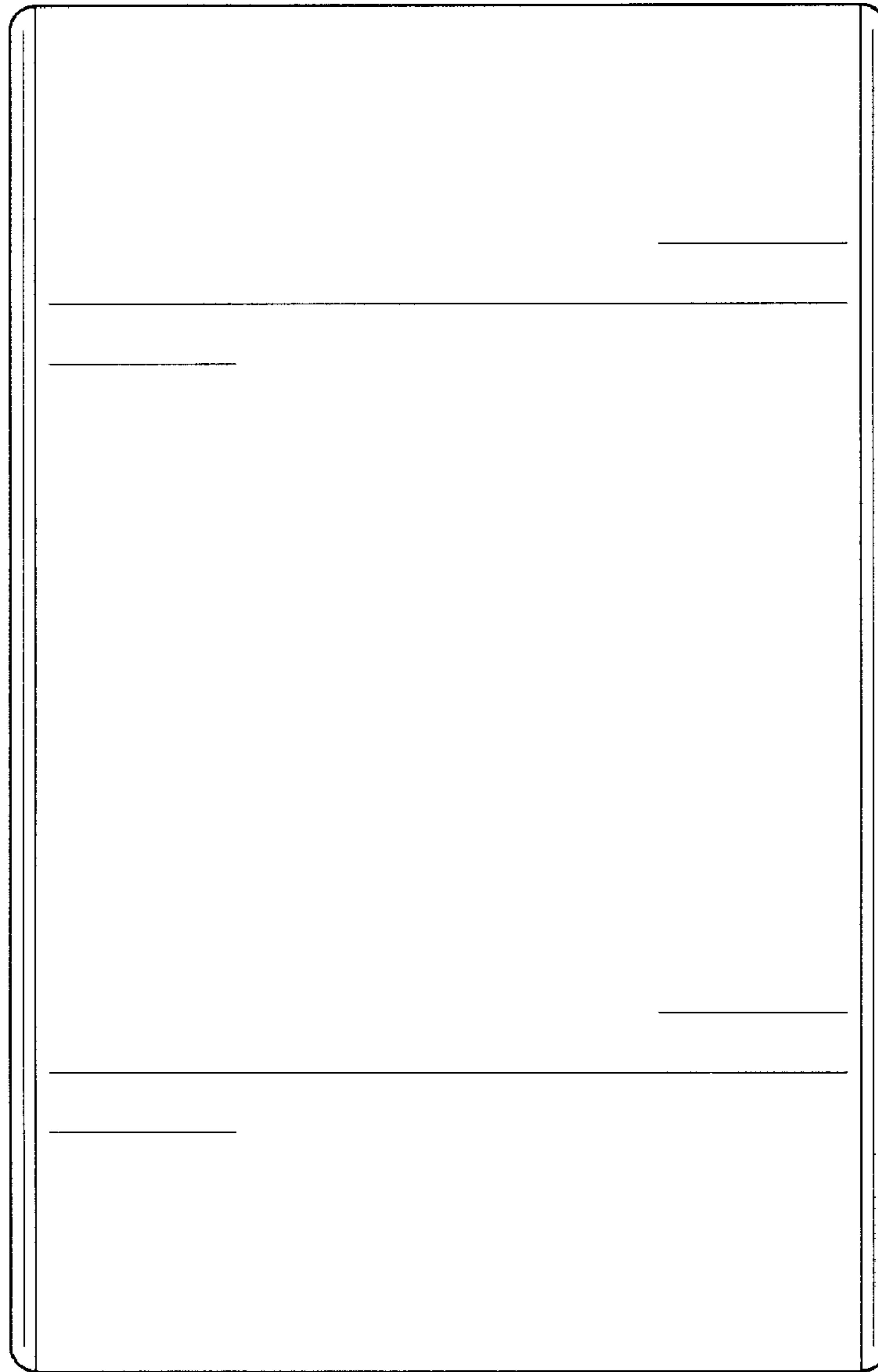


FIG. 7