



US00D608101S

(12) **United States Design Patent**  
**Couté**

(10) **Patent No.:** **US D608,101 S**  
(45) **Date of Patent:** **\*\* Jan. 19, 2010**

(54) **ONE-PIECE DESK**  
(75) Inventor: **Rodolphe Couté**, Dongguan (CN)  
(73) Assignee: **Canal Toys**, Le Blanc Mesnil (FR)  
(\*\*) Term: **14 Years**  
(21) Appl. No.: **29/335,693**  
(22) Filed: **Apr. 20, 2009**

(51) **LOC (9) Cl.** ..... **06-01**  
(52) **U.S. Cl.** ..... **D6/338**  
(58) **Field of Classification Search** ..... D6/330,  
D6/335-338, 340, 349-355, 358, 359, 364,  
D6/366, 376, 491, 495, 500-502; 297/16.1,  
297/39, 46, 135, 140, 156, 158.3, 158.4,  
297/175, 177, 187, 195.1, 195.11, 211, 245,  
297/423.1, 423.16, 445.1, 461, 462, 136,  
297/170, 172, 174 F

See application file for complete search history.

(56) **References Cited**

**U.S. PATENT DOCUMENTS**

D119,253 S *	3/1940	Balleydier	.....	D6/338
D140,992 S *	4/1945	DeBelling	.....	D6/338
D202,465 S *	10/1965	Collette	.....	D6/338
D226,066 S *	1/1973	Barocki	.....	D6/338
D251,640 S *	4/1979	Hindman	.....	D6/338
D326,191 S *	5/1992	Schiffman	.....	D6/338
D329,756 S *	9/1992	Gandy	.....	D6/338
D346,071 S *	4/1994	Sharar	.....	D6/338

D348,569 S *	7/1994	Hausmann	.....	D6/338
D350,239 S *	9/1994	Swanger	.....	D6/338
D398,452 S *	9/1998	Reddig	.....	D6/338
D475,207 S *	6/2003	Bosman et al.	.....	D6/338
D497,487 S *	10/2004	Azumi et al.	.....	D6/338
D505,022 S *	5/2005	Mills et al.	.....	D6/338
D507,890 S *	8/2005	Mills et al.	.....	D6/336
D513,892 S *	1/2006	Glass et al.	.....	D6/338
D521,751 S *	5/2006	Glass et al.	.....	D6/338
D530,106 S *	10/2006	Van Erum et al.	.....	D6/338

\* cited by examiner

*Primary Examiner*—Sandra Snapp

(74) *Attorney, Agent, or Firm*—Young & Thompson

(57) **CLAIM**

The ornamental design for a one-piece desk, as shown.

**DESCRIPTION**

FIG. 1 is a top, front and side perspective view of a one-piece desk, showing my new design;

FIG. 2 is a top, rear and side perspective view thereof;

FIG. 3 is a front elevational view thereof;

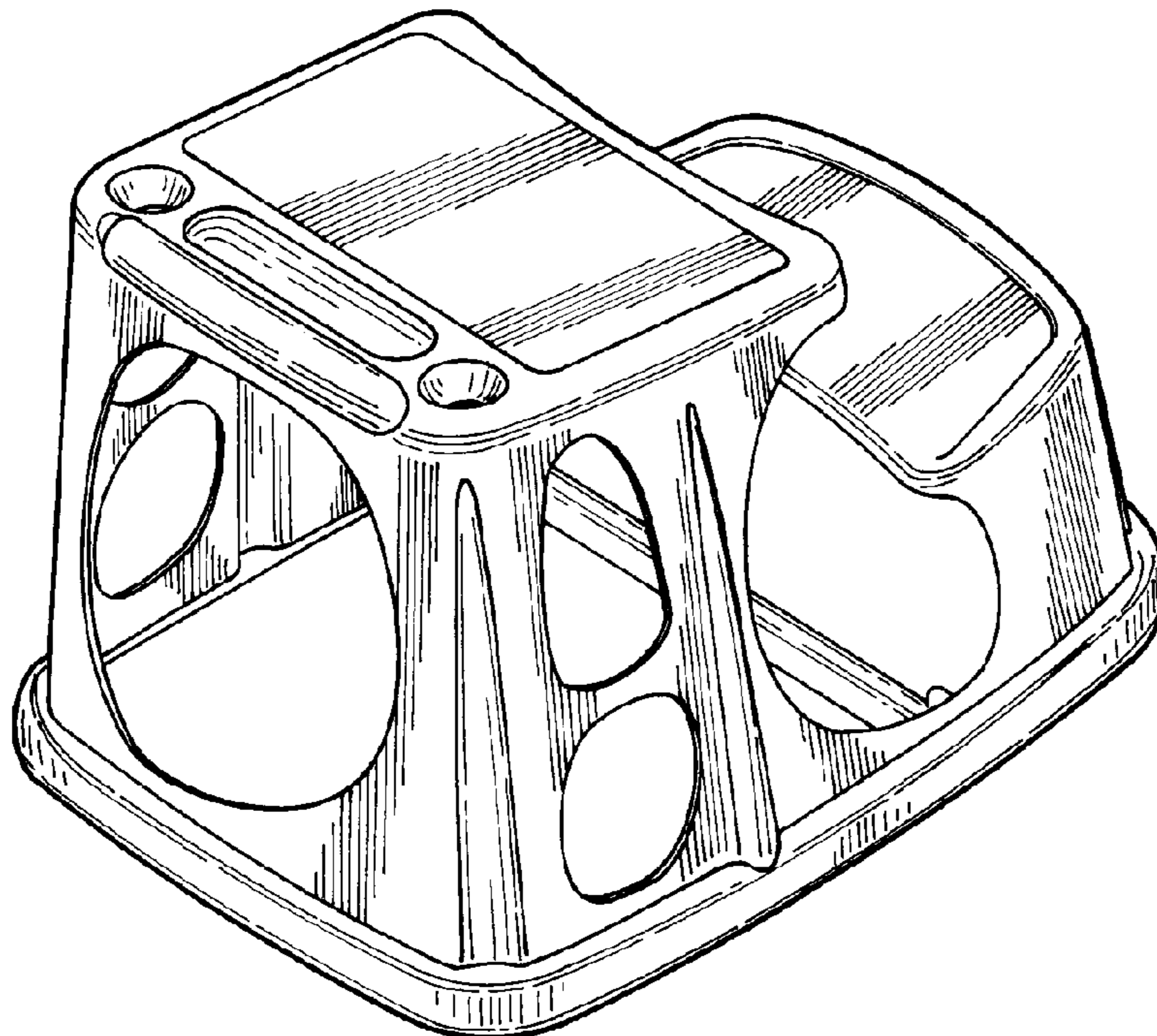
FIG. 4 is a side elevational view thereof from the left of FIG. 3;

FIG. 5 is a side elevational view thereof from the right of FIG. 3;

FIG. 6 is a rear elevation view thereof; and,

FIG. 7 is a top plan view thereof.

**1 Claim, 7 Drawing Sheets**



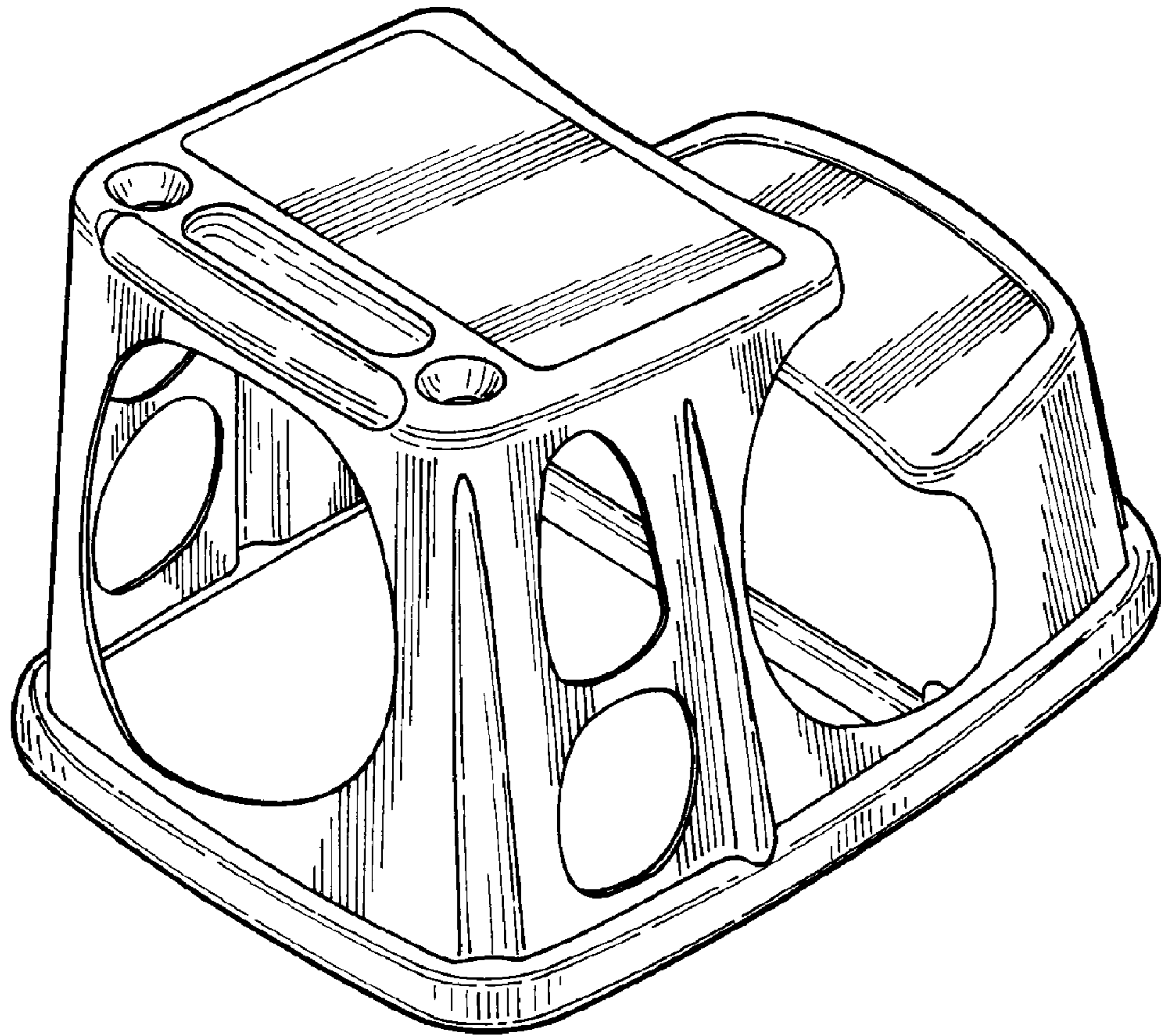


Figure 1

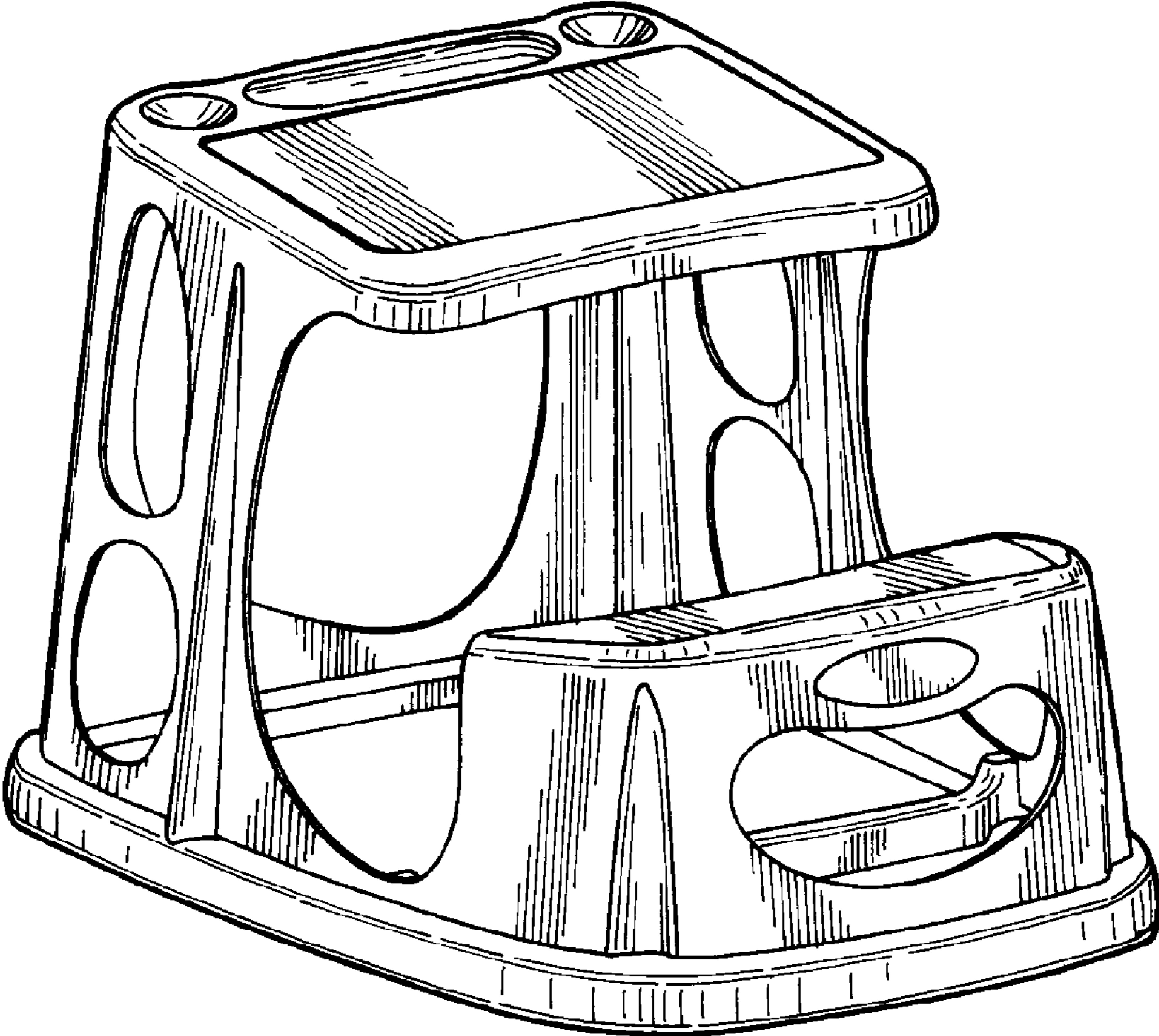


Figure 2

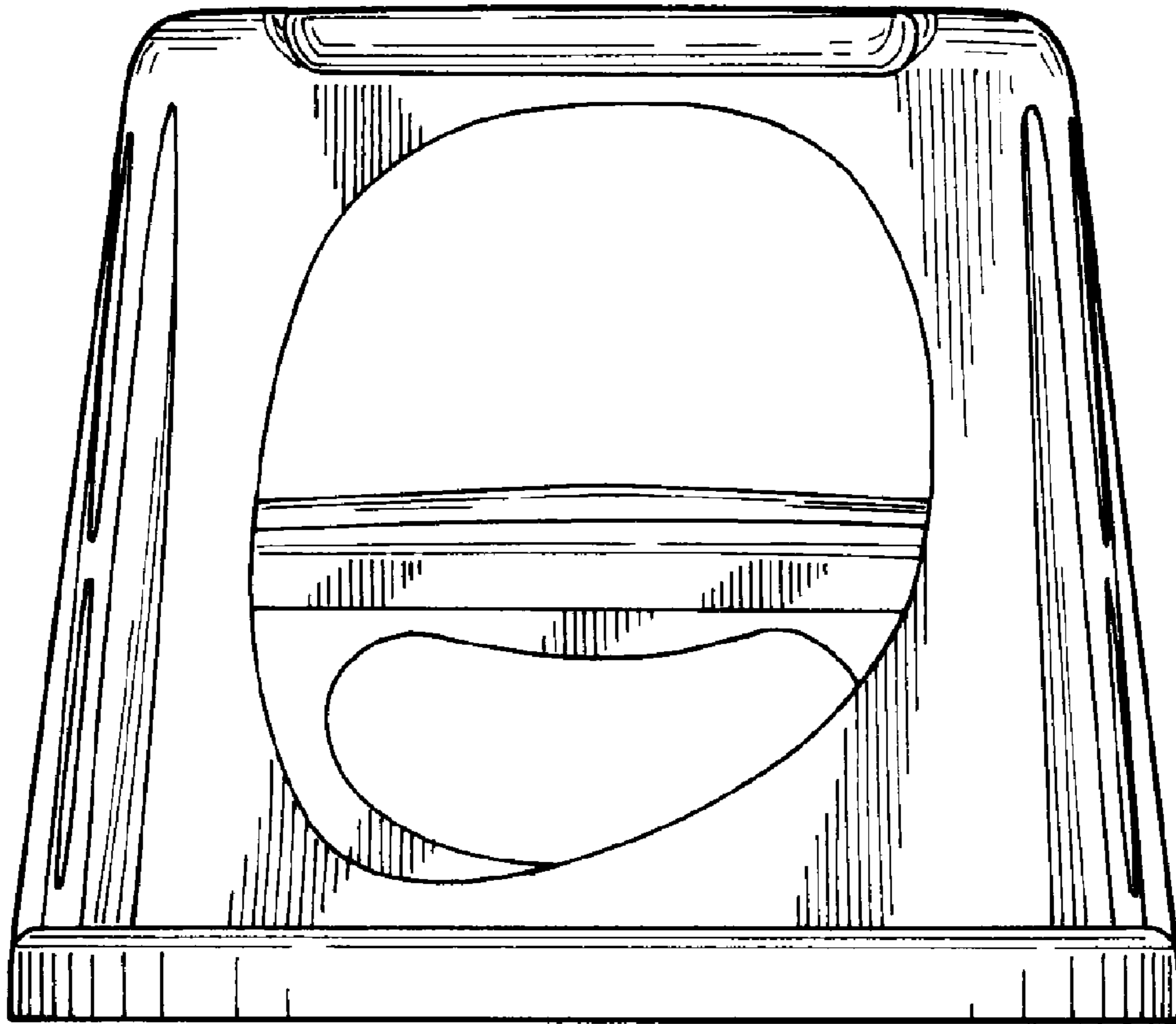


Figure 3



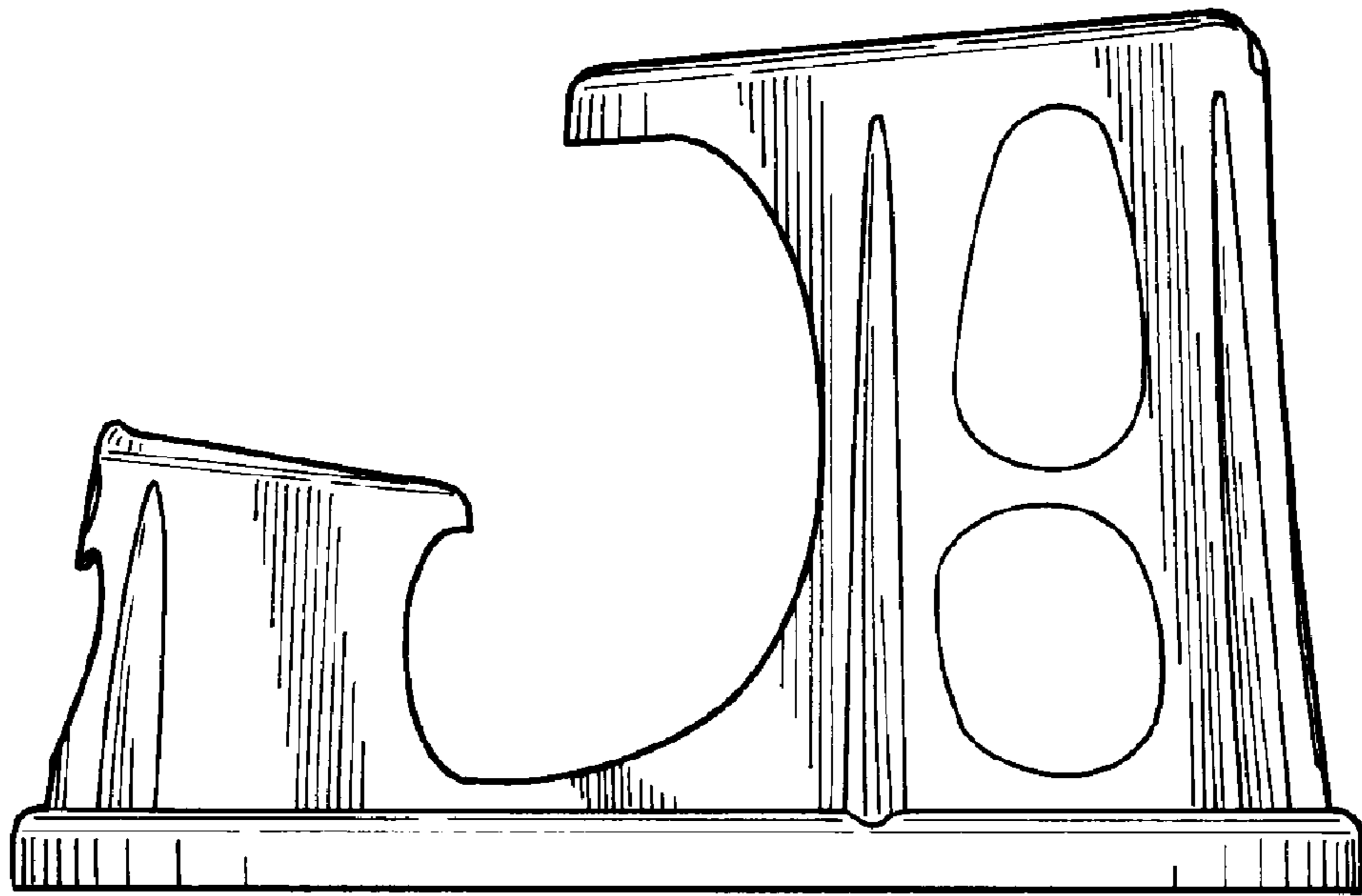


Figure 4

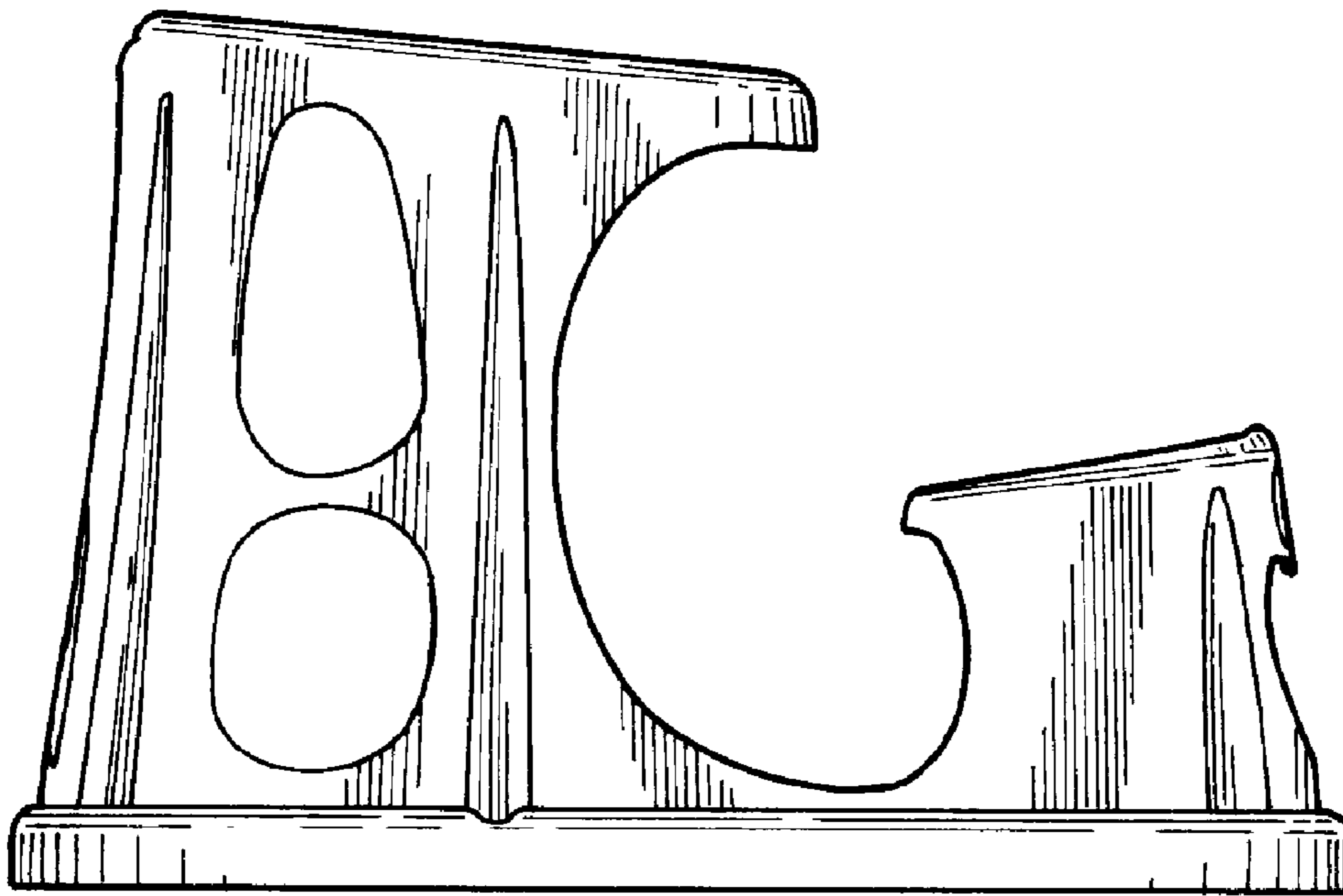


Figure 5

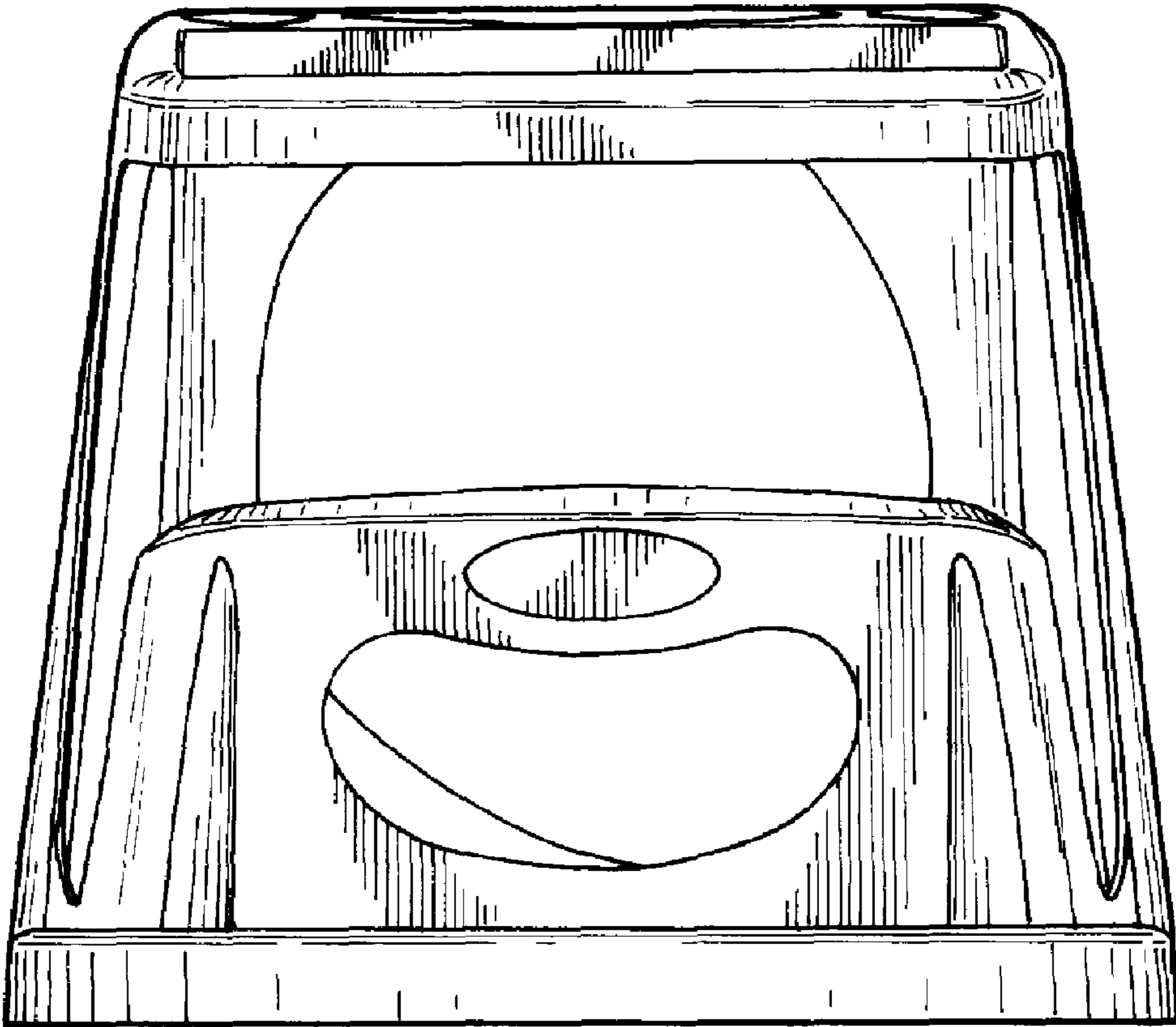


Figure 6

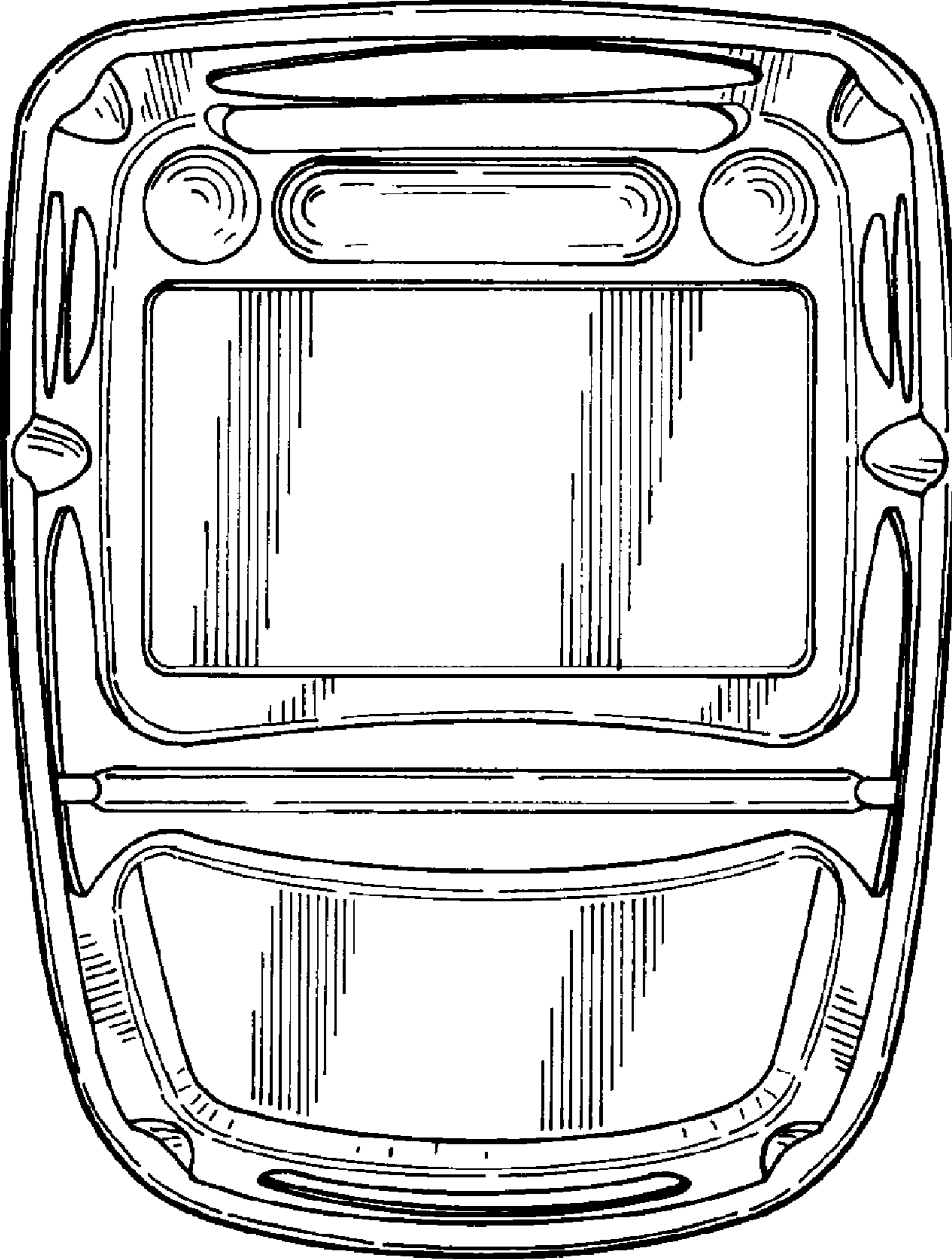


Figure 7