



US00D608100S

(12) **United States Design Patent**  
**Yoo**

(10) **Patent No.:** **US D608,100 S**  
(45) **Date of Patent:** **\*\* Jan. 19, 2010**

(54) **ROBE HOOK**

(75) Inventor: **Man Ki Yoo**, Morton Grove, IL (US)

(73) Assignee: **Liberty Hardware Mfg. Corp.**,  
Winston-Salem, NC (US)

(\*\*) Term: **14 Years**

(21) Appl. No.: **29/330,928**

(22) Filed: **Jan. 16, 2009**

(51) **LOC (9) Cl.** ..... **06-08**

(52) **U.S. Cl.** ..... **D6/323**

(58) **Field of Classification Search** ..... D6/315,  
D6/320, 323, 324, 327, 328; D8/300, 349,  
D8/367, 371; 211/1, 13.1, 85.3, 181.1, 183;  
223/85-98

See application file for complete search history.

(56) **References Cited**

**U.S. PATENT DOCUMENTS**

D409,398 S *	5/1999	Sweetman	.....	D6/323
D435,971 S *	1/2001	Solowiej	.....	D6/323
D462,844 S *	9/2002	Chou	.....	D6/323
D464,812 S *	10/2002	Yen	.....	D6/323

D465,661 S *	11/2002	Hoernig	.....	D6/323
D516,823 S *	3/2006	Goodman et al.	.....	D6/323
D542,038 S *	5/2007	Tau	.....	D6/323
D570,613 S *	6/2008	Ricereto	.....	D6/323

\* cited by examiner

*Primary Examiner*—Stella M Reid

*Assistant Examiner*—Shanda C Hill

(74) *Attorney, Agent, or Firm*—Edgar A. Zarins; Nirav D. Parikh

(57) **CLAIM**

The ornamental design for a robe hook, as shown and described.

**DESCRIPTION**

FIG. 1 is a perspective view of a robe hook showing my new design;

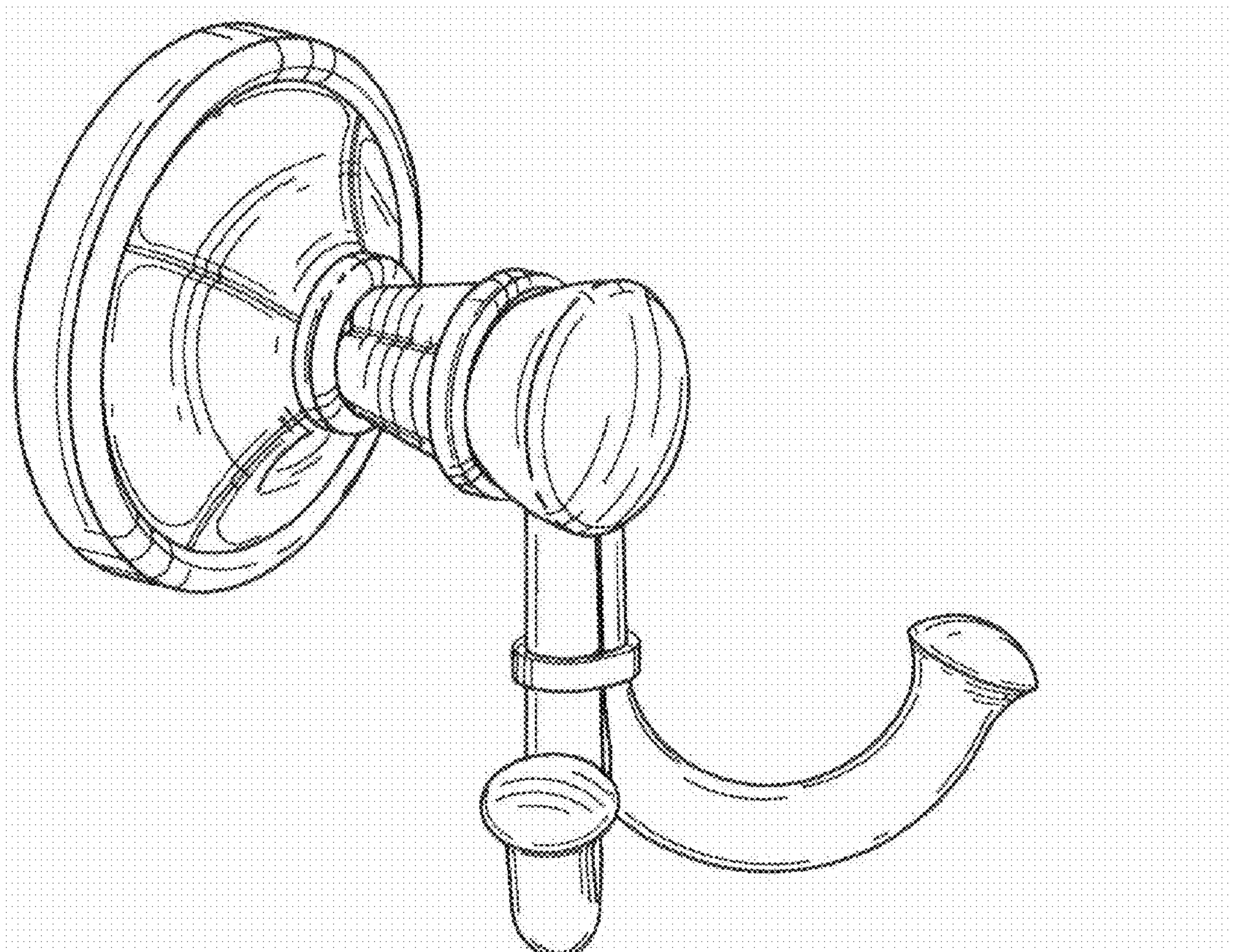
FIG. 2 is a front elevational view thereof;

FIG. 3 is a top plan view thereof;

FIG. 4 is a bottom plan view thereof; and,

FIG. 5 is a right side view thereof; the opposite side being a mirror image of the side shown.

**1 Claim, 2 Drawing Sheets**



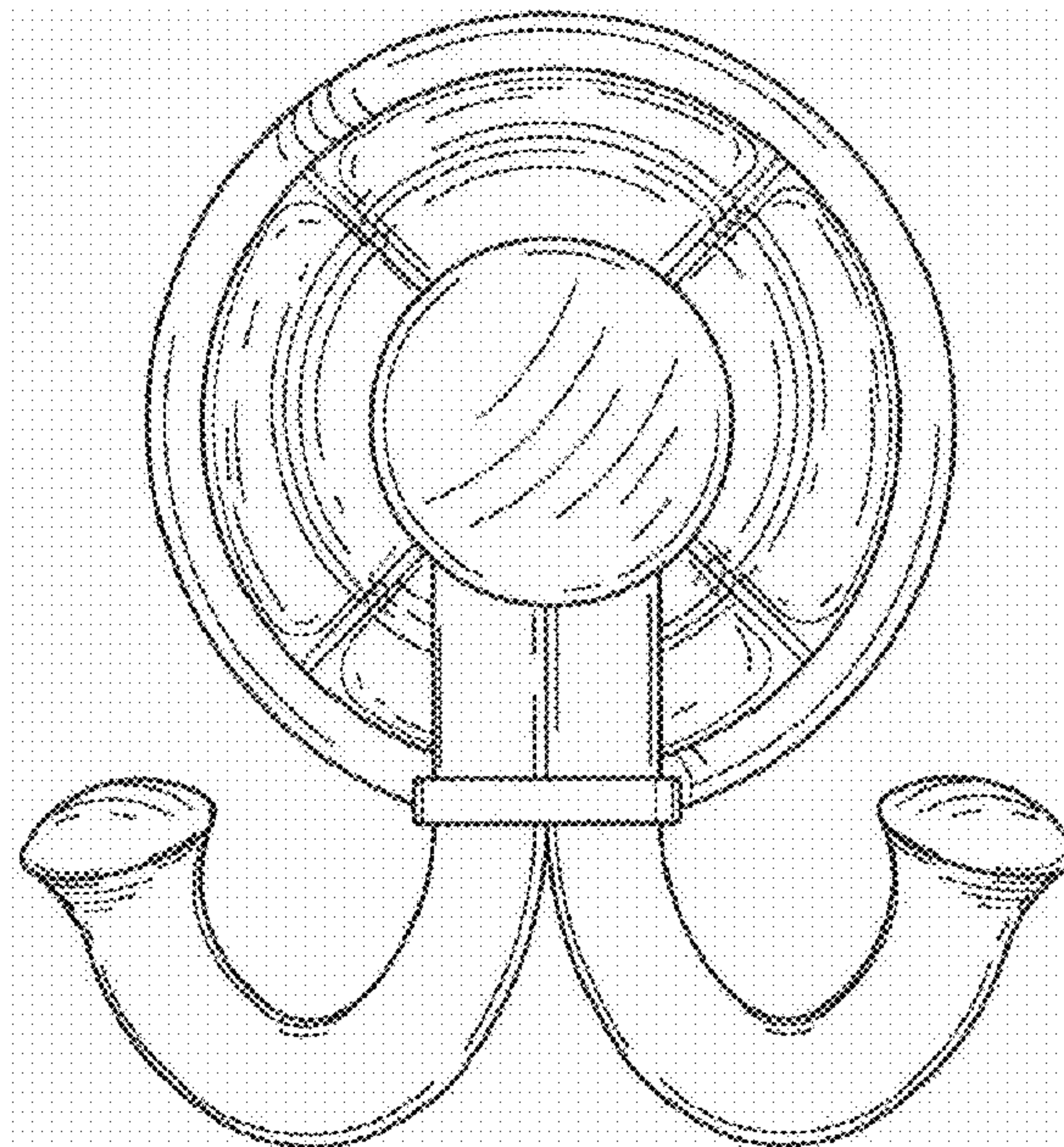
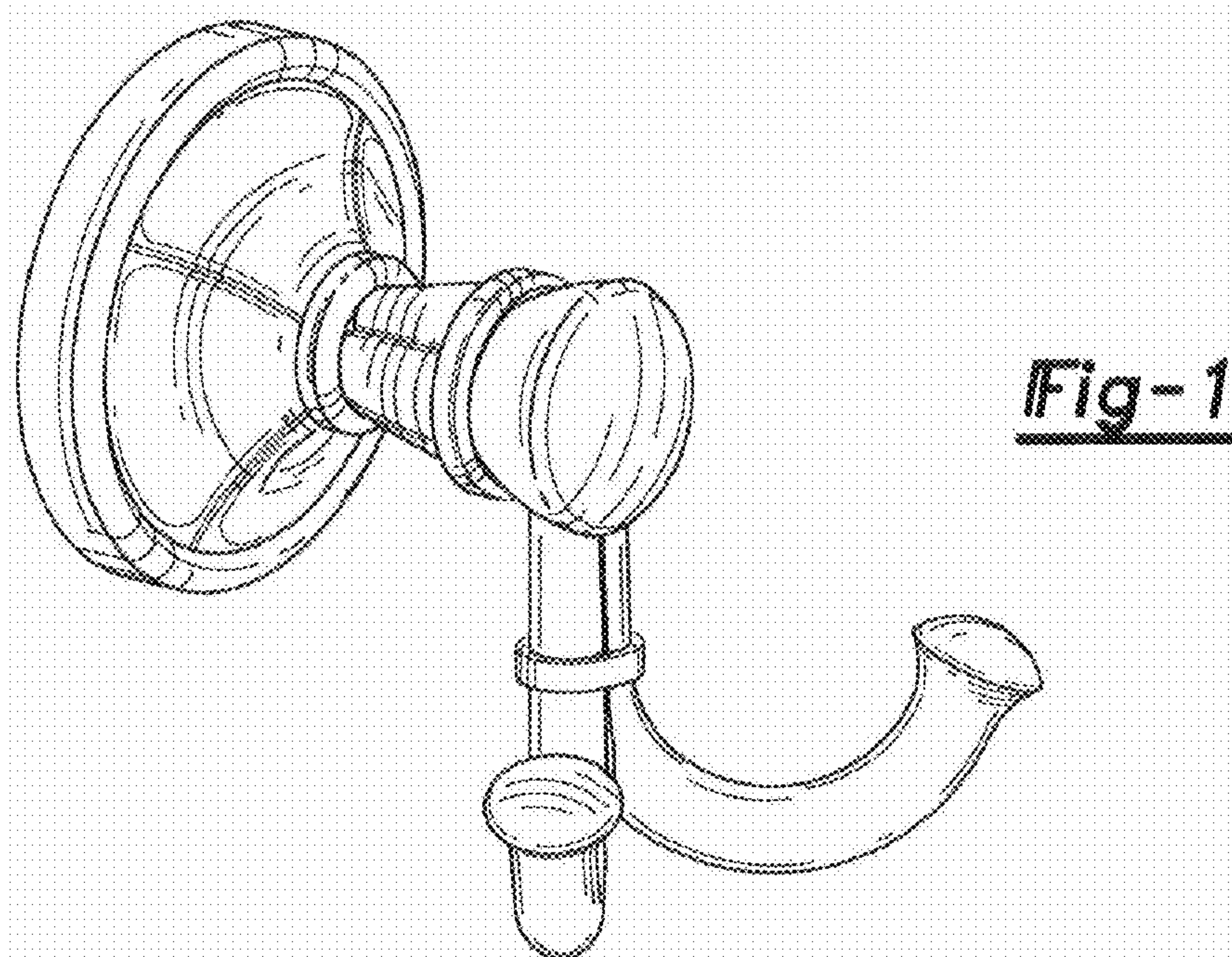


Fig-2



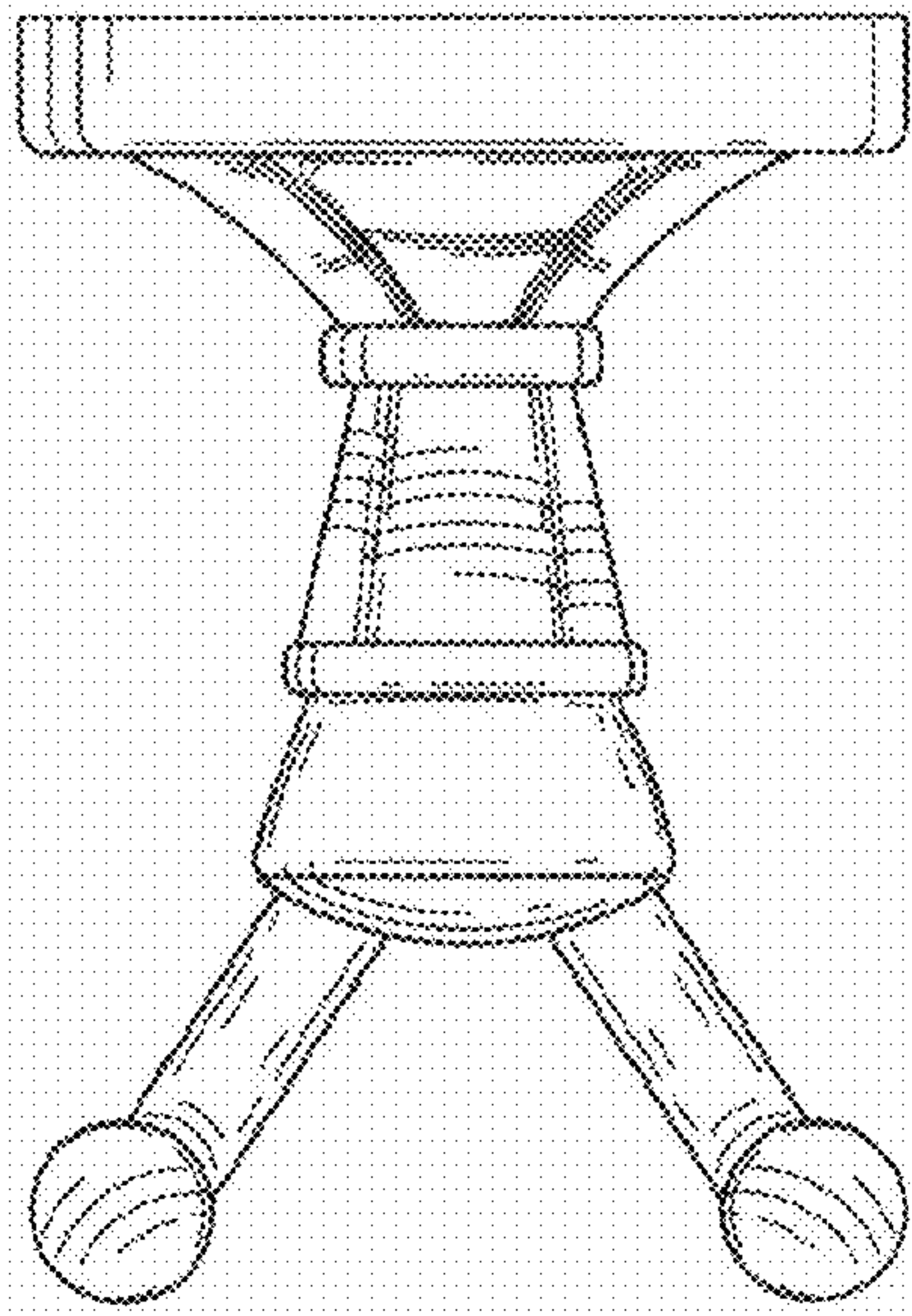


Fig-3

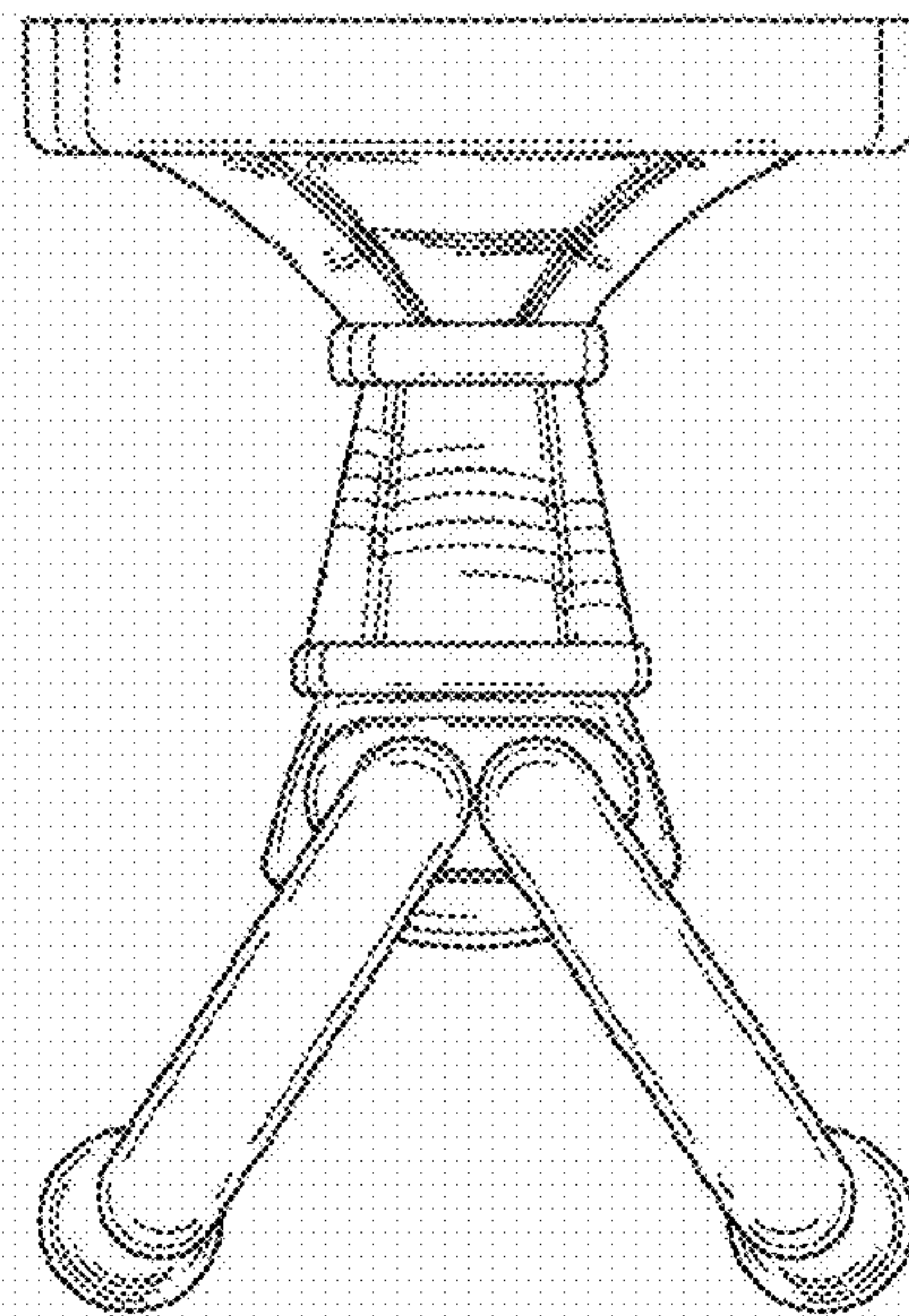


Fig-4

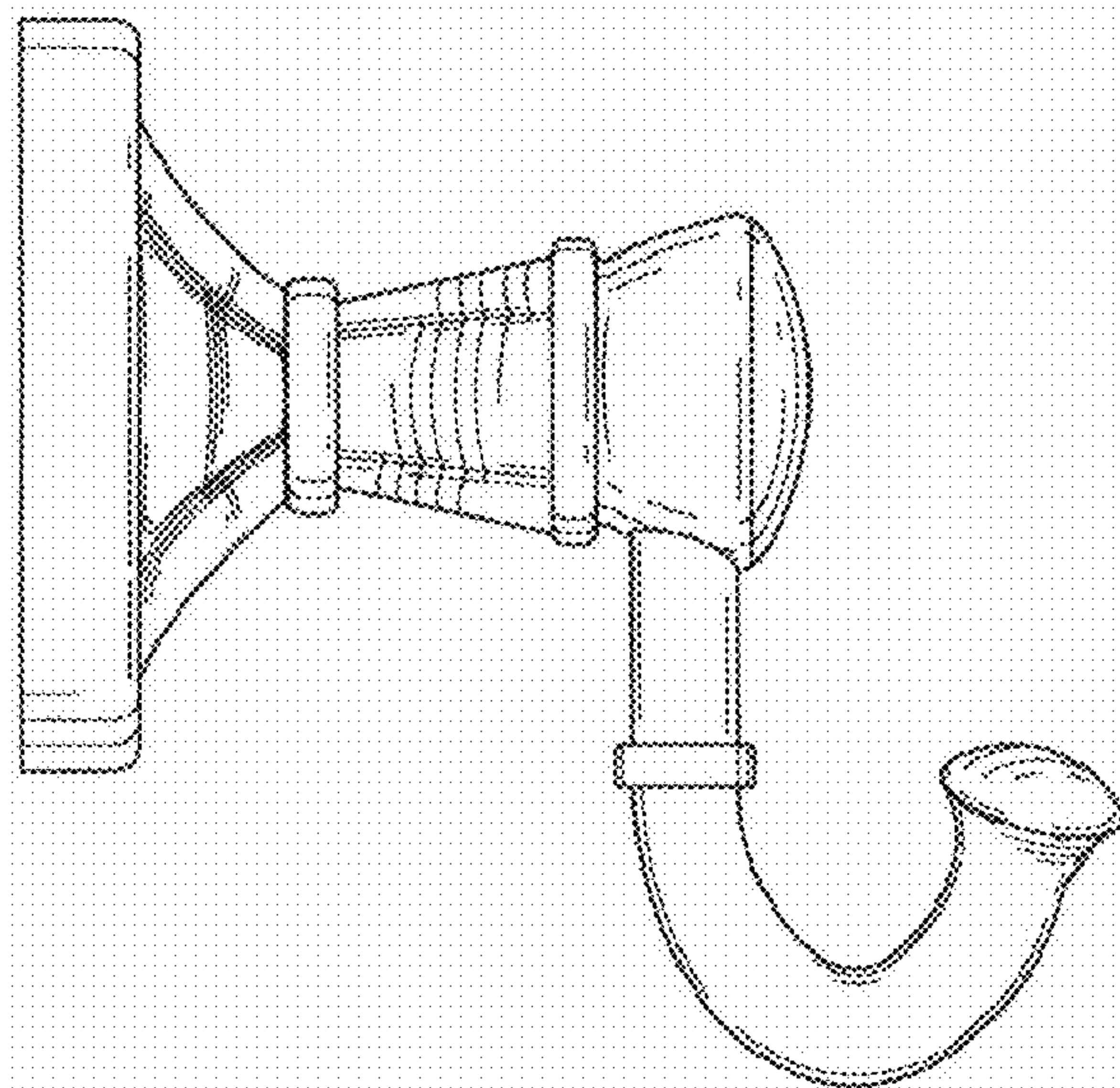


Fig-5