



US00D608098S

(12) **United States Design Patent**  
**Scott**

(10) **Patent No.:** **US D608,098 S**  
(45) **Date of Patent:** **\*\* Jan. 19, 2010**

(54) **VEHICLE CLEANING TOOL**

(75) Inventor: **Steven Richard Scott**, Belmont, CA (US)

(73) Assignee: **Motion Pro. Inc**, San Carlos, CA (US)

(\*\*) Term: **14 Years**

(21) Appl. No.: **29/338,965**

(22) Filed: **Jun. 22, 2009**

(51) **LOC (9) Cl.** ..... **04-01**

(52) **U.S. Cl.** ..... **D4/118; D4/132**

(58) **Field of Classification Search** ..... D4/118, D4/132-134, 138; D32/42, 46, 49; 15/111-113, 15/117, 121, 143.1, 159.1, 160, 236.01, 236.02, 15/236.05, 236.07; 30/169, 171  
See application file for complete search history.

(56) **References Cited**

**U.S. PATENT DOCUMENTS**

D228,585	S	*	10/1973	Spydevold	.....	D4/118
D265,269	S	*	7/1982	Frantz	.....	D4/118
D269,054	S	*	5/1983	Bauer	.....	D4/118
D323,746	S	*	2/1992	Mehan	.....	D4/116
D335,771	S	*	5/1993	Mallory et al.	.....	D4/118
D383,907	S	*	9/1997	Fey et al.	.....	D4/118
D441,198	S	*	5/2001	Primeau	.....	D4/118
6,243,906	B1	*	6/2001	Holliday et al.	.....	15/111
6,611,983	B1	*	9/2003	Hopey	.....	15/104.03
D497,483	S	*	10/2004	Bock	.....	D4/118

\* cited by examiner

*Primary Examiner*—Melanie H Tung  
*Assistant Examiner*—Lavone D Tabor

(74) *Attorney, Agent, or Firm*—Patent Law Office of Larry Guernsey; Larry B. Guernsey

(57) **CLAIM**

The ornamental design for a vehicle cleaning tool, as shown and described above.

**DESCRIPTION**

FIG. 1 is a top plan view of an ornamental design for a vehicle cleaning tool of the present invention;

FIG. 2 is an enlarged front elevation view of an ornamental design for a vehicle cleaning tool of the present invention;

FIG. 3 is a right side elevation view of an ornamental design for a vehicle cleaning tool of the present invention;

FIG. 4 is an enlarged rear elevation view of an ornamental design for a vehicle cleaning tool of the present invention;

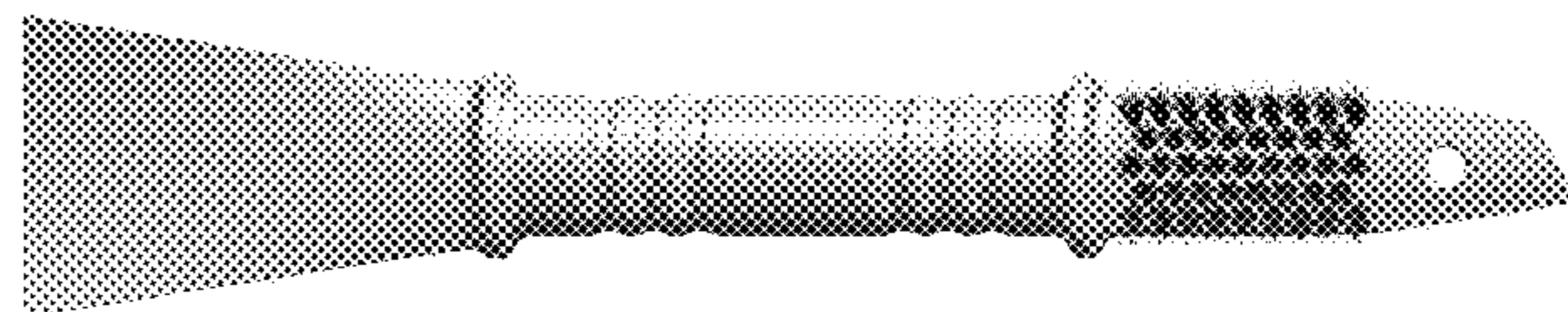
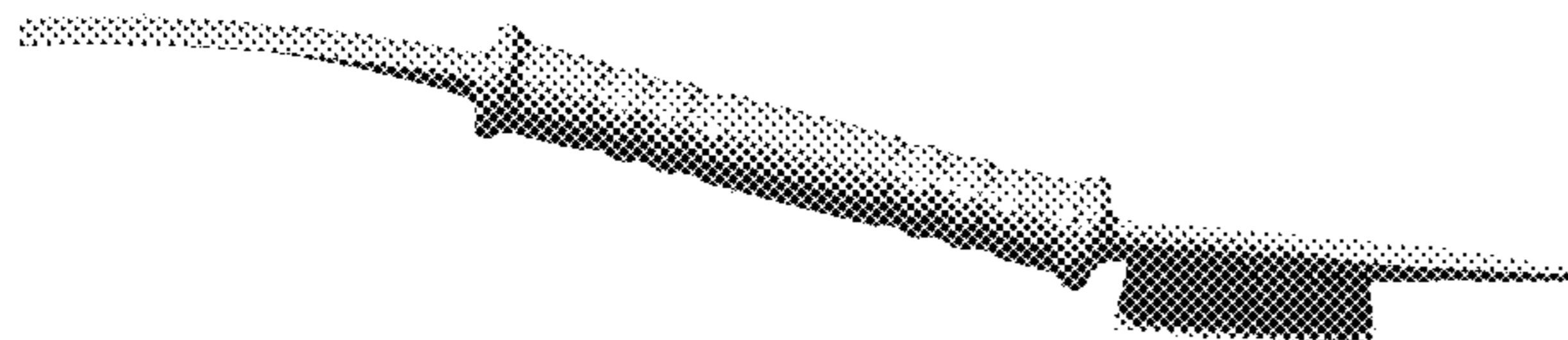
FIG. 5 is a left side elevation view of an ornamental design for a vehicle cleaning tool of the present invention;

FIG. 6 is a bottom plan view of an ornamental design for a vehicle cleaning tool of the present invention;

FIG. 7 is a top isometric view of an ornamental design for a vehicle cleaning tool of the present invention; and,

FIG. 8 is a bottom isometric view of an ornamental design for a vehicle cleaning tool of the present invention.

**1 Claim, 8 Drawing Sheets**



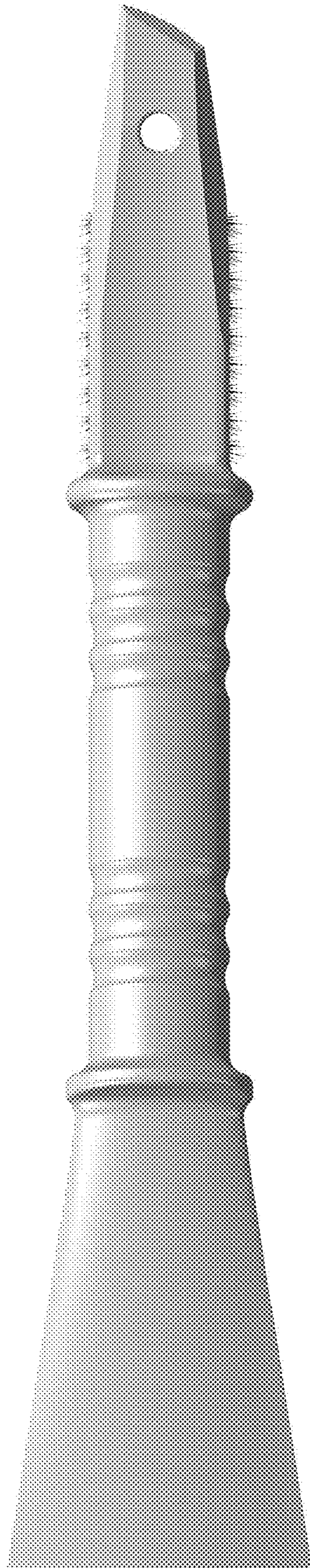


FIGURE 1



FIGURE 2

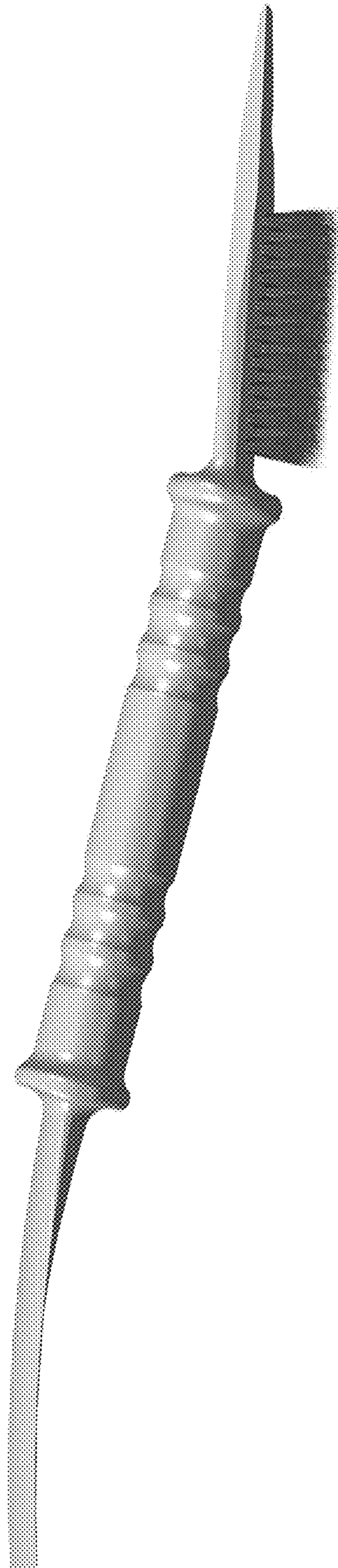


FIGURE 3



FIGURE 4

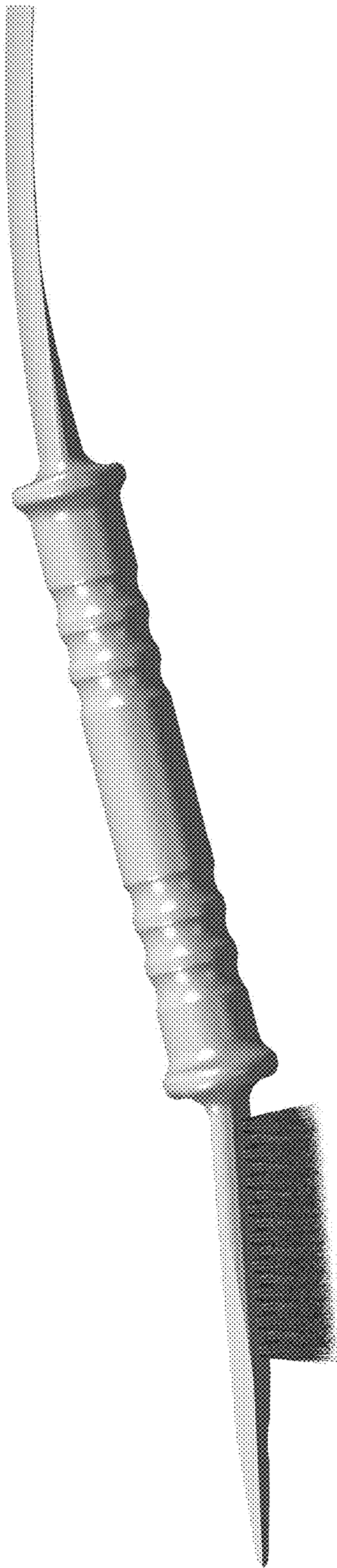


FIGURE 5

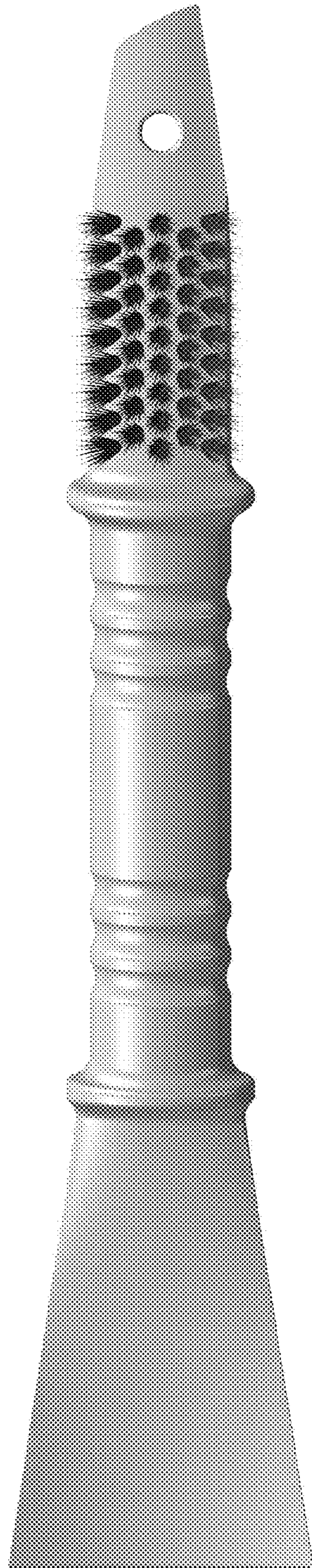


FIGURE 6

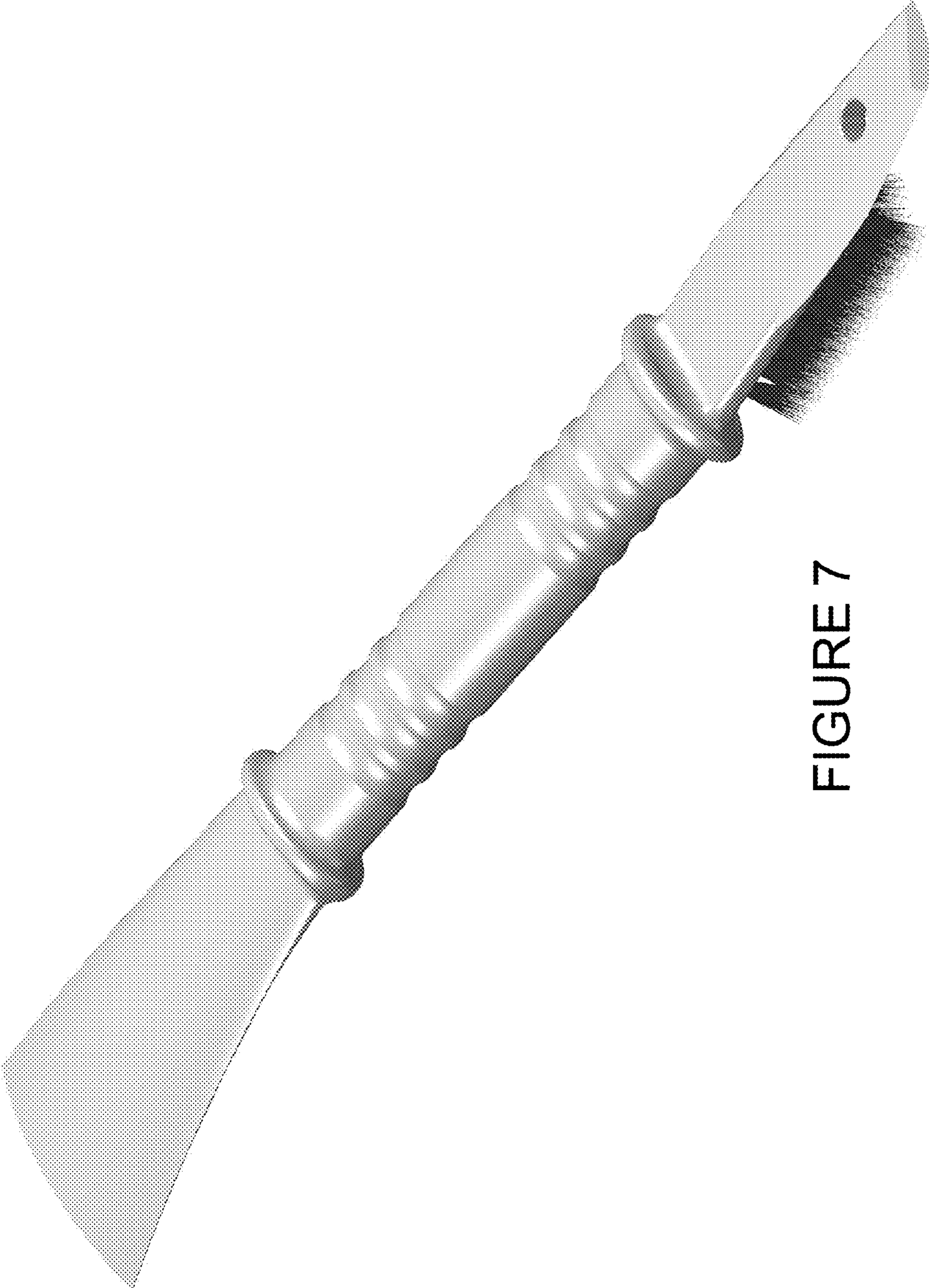


FIGURE 7



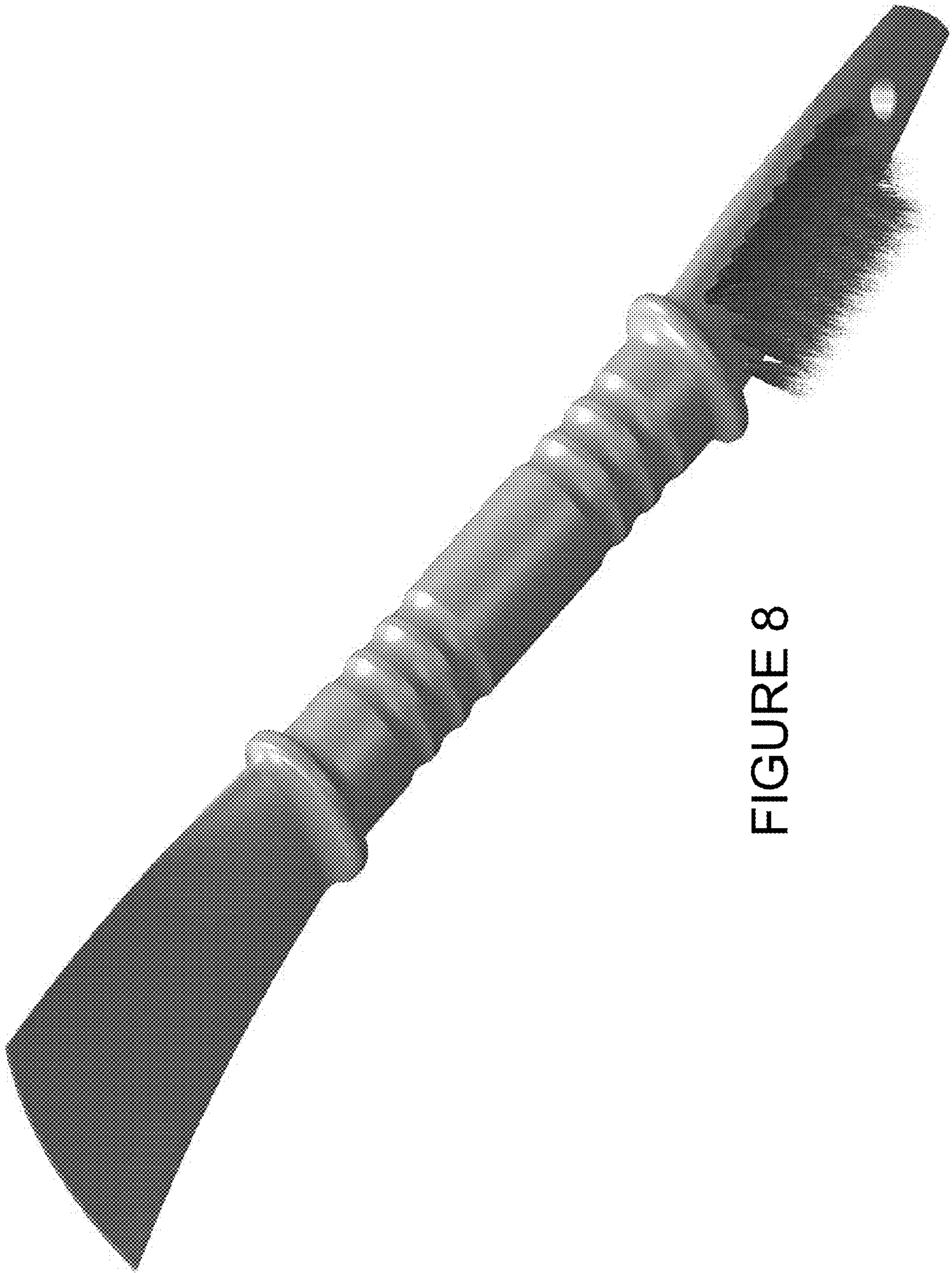


FIGURE 8