



US00D608097S

(12) **United States Design Patent**
Zanjani et al.

(10) **Patent No.:** **US D608,097 S**
(45) **Date of Patent:** **** *Jan. 19, 2010**

(54) **BRUSH APPLICATOR WITH CAP**

(75) Inventors: **Nader Akhavan Zanjani**, London (GB);
Shahla Akhavan Zanjani, London
(GB); **Sasha Akhavan Zanjani**, London
(GB); **Garsha Akhavan Zanjani**,
London (GB)

(73) Assignee: **Stargazer**, Croydon (GB)

(**) Term: **14 Years**

(21) Appl. No.: **29/228,953**

(22) Filed: **Apr. 29, 2005**

(30) **Foreign Application Priority Data**

Nov. 25, 2004 (EM) 000261243

(51) **LOC (9) Cl.** **04-01**

(52) **U.S. Cl.** **D4/114; D4/127; D4/136**

(58) **Field of Classification Search** D4/114,
D4/116, 127, 136; D9/436, 695, 699, 723,
D9/724; D28/7, 10, 20; 132/112, 116, 207,
132/212; 401/28, 183-185, 269, 278, 291;
601/135-137, 154, 160

See application file for complete search history.

(56) **References Cited**

U.S. PATENT DOCUMENTS

514,290	A *	2/1894	Symonds	401/269
D188,397	S *	7/1960	Hulsh	D4/114
2,944,273	A *	7/1960	Harris	15/105
3,146,484	A *	9/1964	Lussier et al.	401/186
4,752,015	A *	6/1988	Schumacher	215/228
4,974,984	A *	12/1990	Kafkis et al.	401/268
D376,048	S *	12/1996	Gerhart et al.	D4/114
6,270,277	B1 *	8/2001	Ogino et al.	401/269
D450,153	S *	11/2001	Knieriemen	D28/7
D510,863	S *	10/2005	Juhng et al.	D9/436

2004/0261808 A1* 12/2004 Kluge 132/115

OTHER PUBLICATIONS

Stargazer™ Neon Hair Gel. Product Page [online]. Internet Archive, Nov. 28, 2002 [retrieved on Jul. 31, 2007]. Retrieved from the Internet <URL:http://www.web.archive.org/web/*/http://www.stargazer-products.com>.*

* cited by examiner

Primary Examiner—Melanie H Tung

Assistant Examiner—Lavone D Tabor

(74) *Attorney, Agent, or Firm*—Haverstock & Owens LLP

(57) **CLAIM**

The ornamental design for a brush applicator with cap, as shown and described.

DESCRIPTION

FIG. 1 is a bottom perspective view of the applicator portion of our new design for a brush applicator with cap;

FIG. 2 is side elevation view of the brush applicator with cap;

FIG. 3 is a top plan view of design as shown in FIG. 1;

FIG. 4 is a top perspective view of the design as shown in FIG. 1;

FIG. 5 is a reduced side perspective view of the design as shown in FIG. 1;

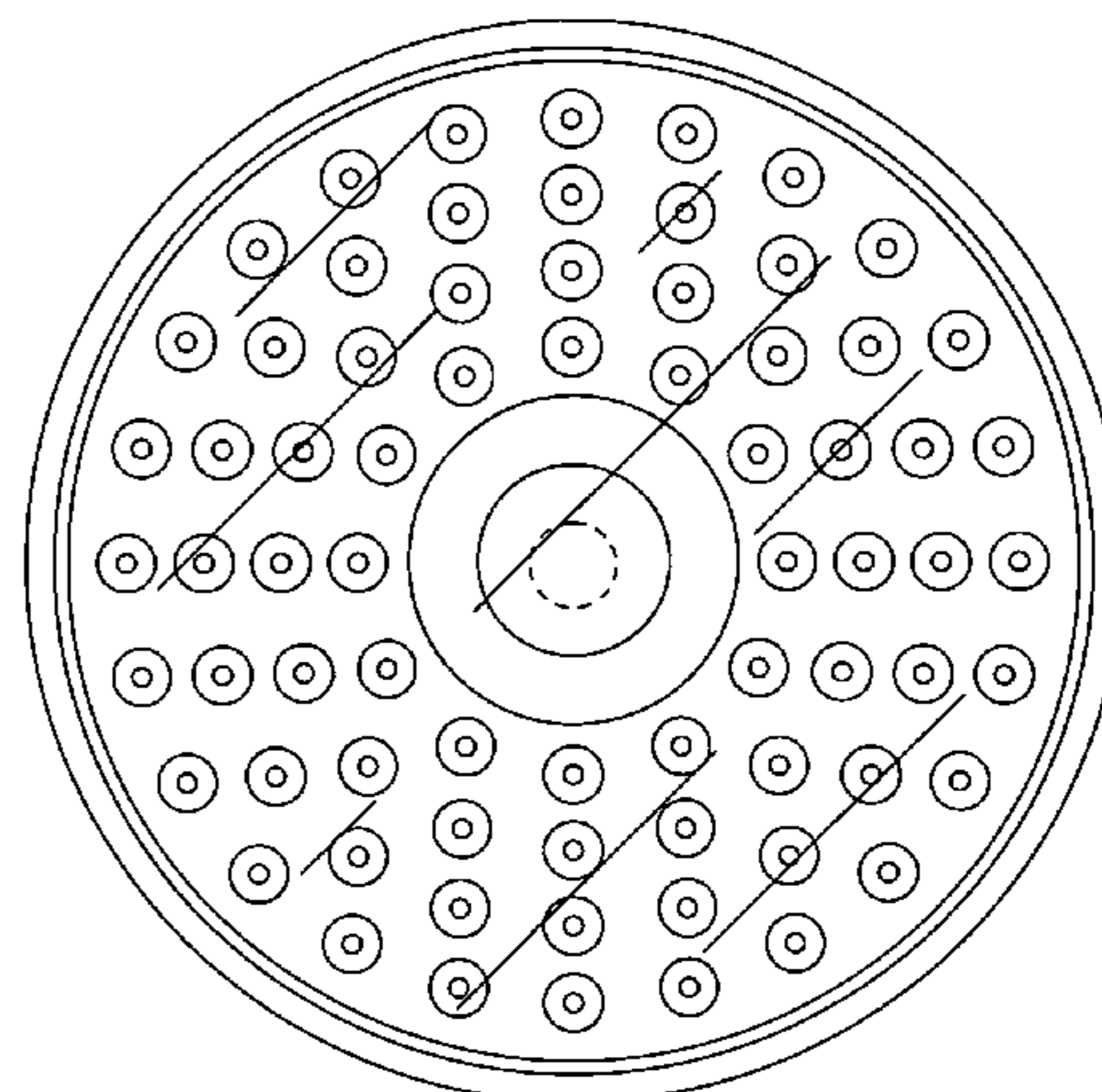
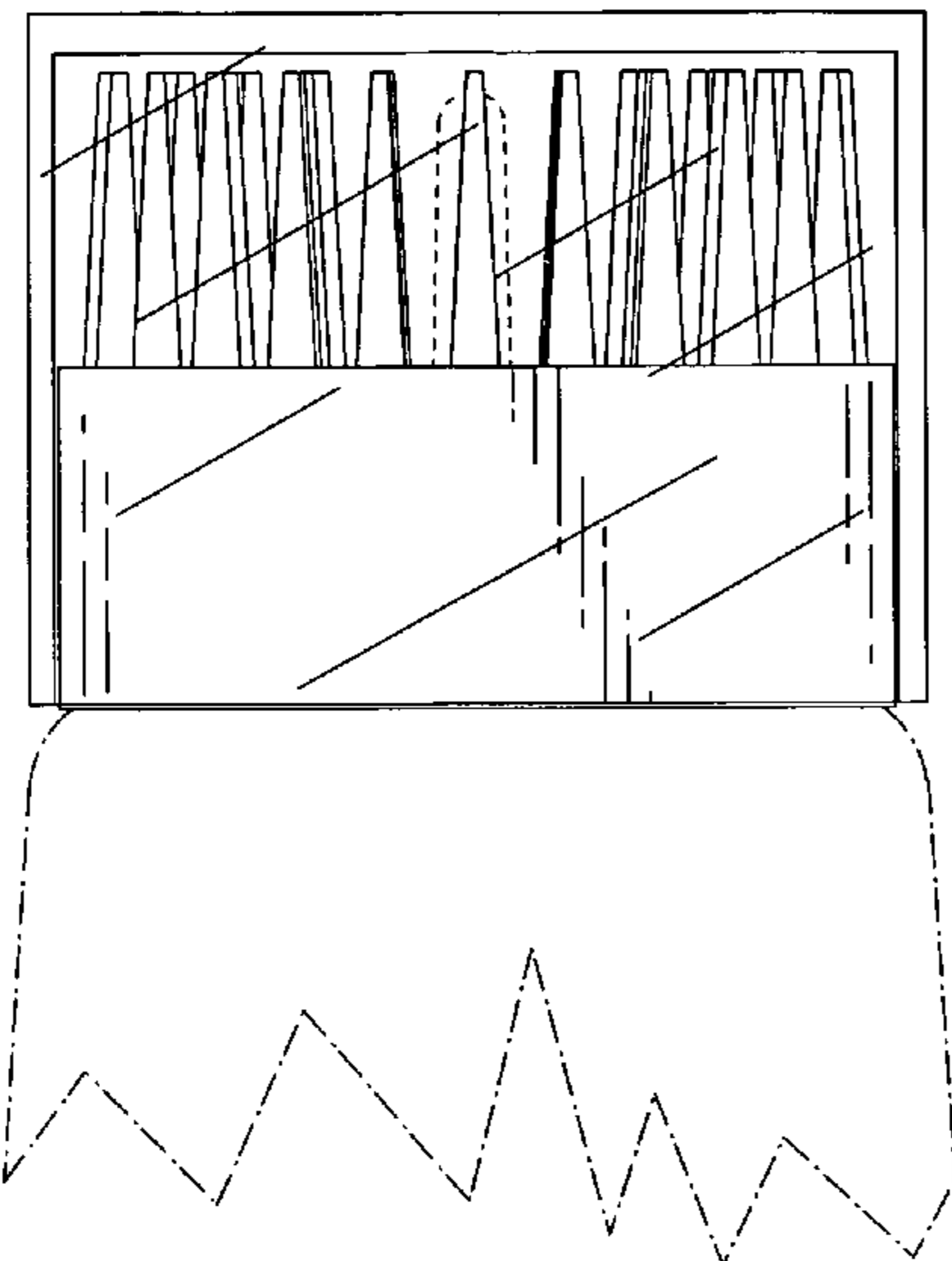
FIG. 6 is a greatly reduced side perspective view of the design as shown in FIG. 2; and,

FIG. 7 is a top pan view of the design as shown in FIG. 2.

The applicator is shown separately in some of the views for ease of illustration.

The broken lines showing a single bristle and a container illustrate portions of the article that form no part of the claimed design and the broken lines shown on the bristle support represent boundaries that form no part of the claimed design.

1 Claim, 7 Drawing Sheets



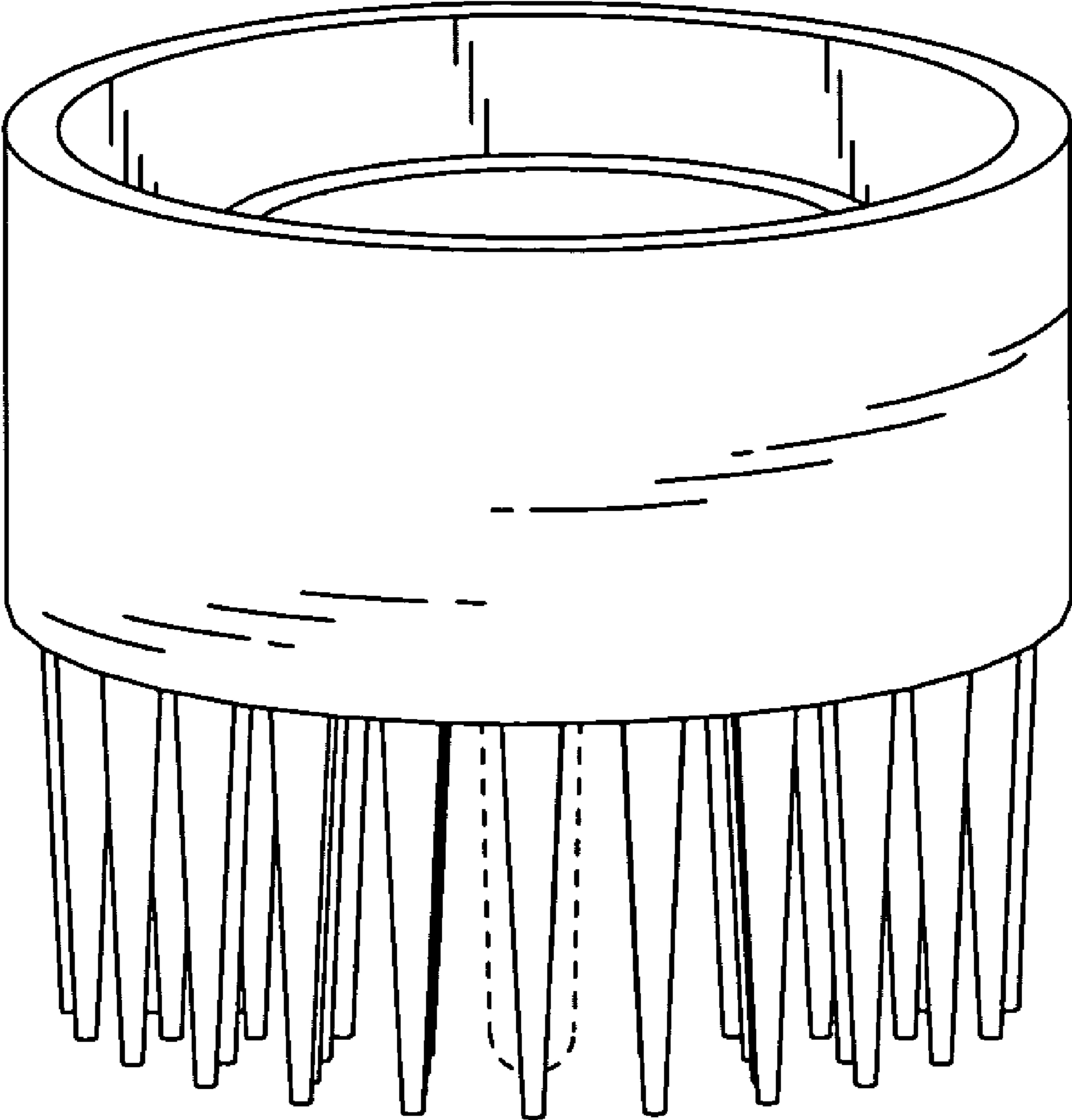


FIG. 1

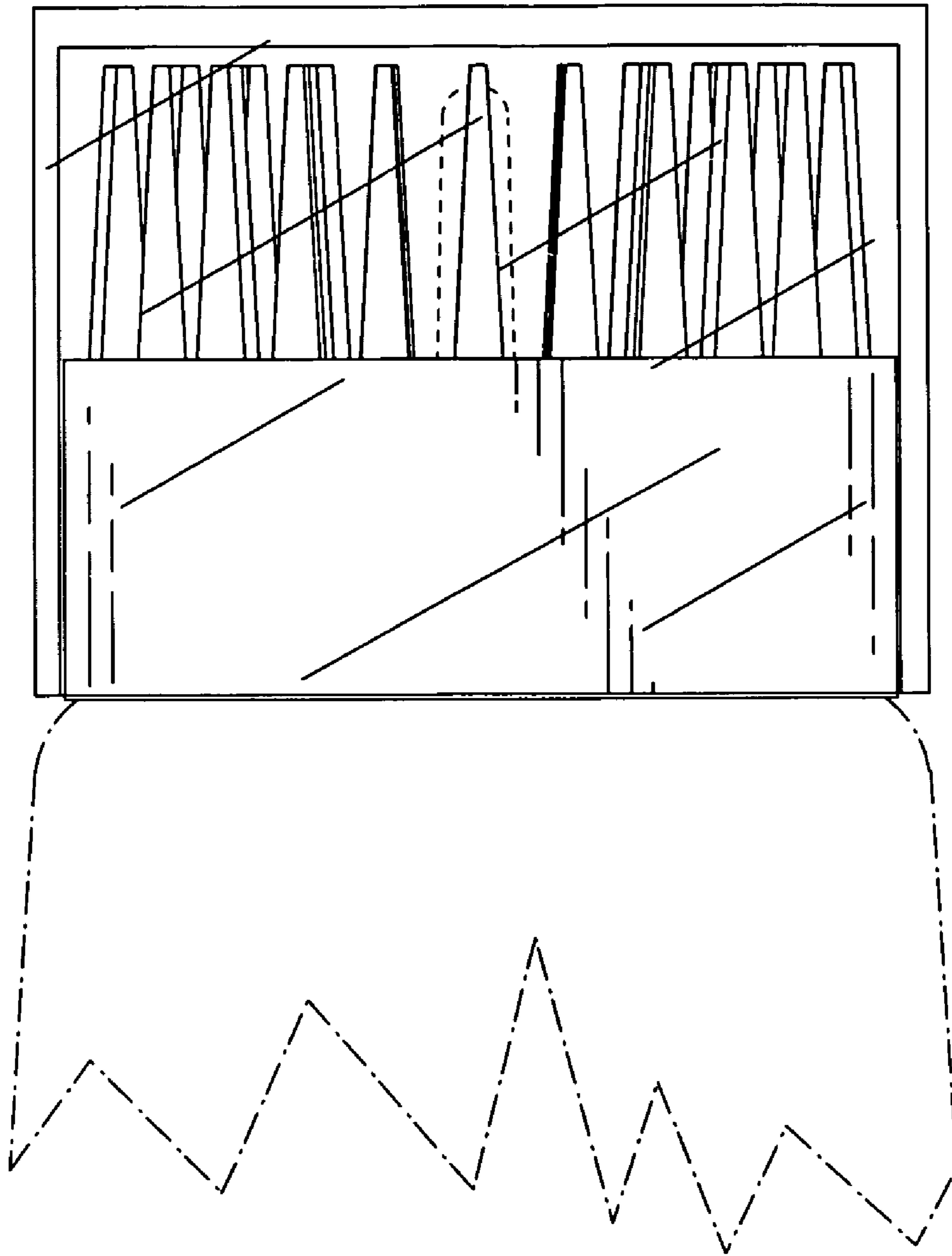


FIG. 2

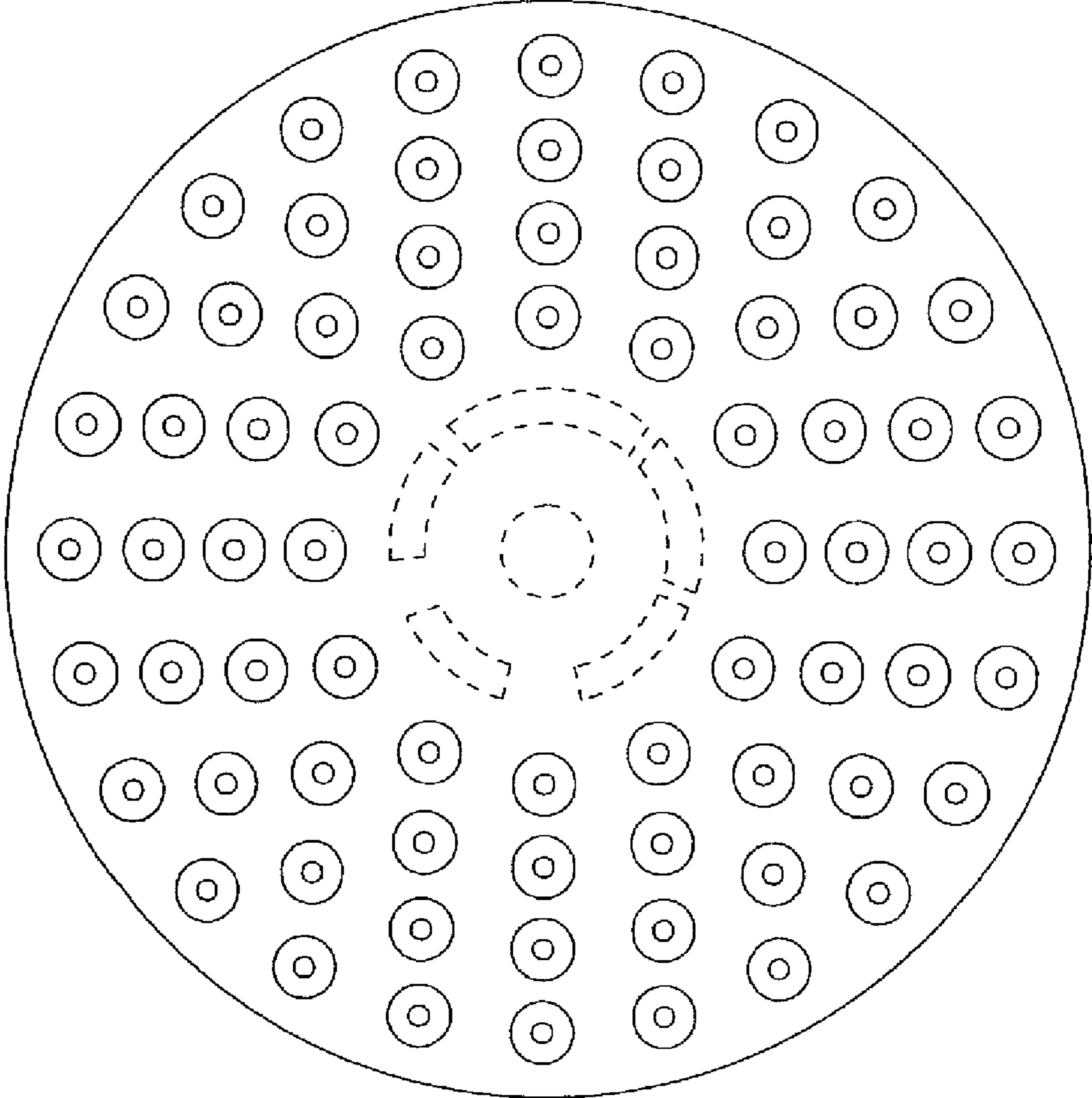


FIG. 3

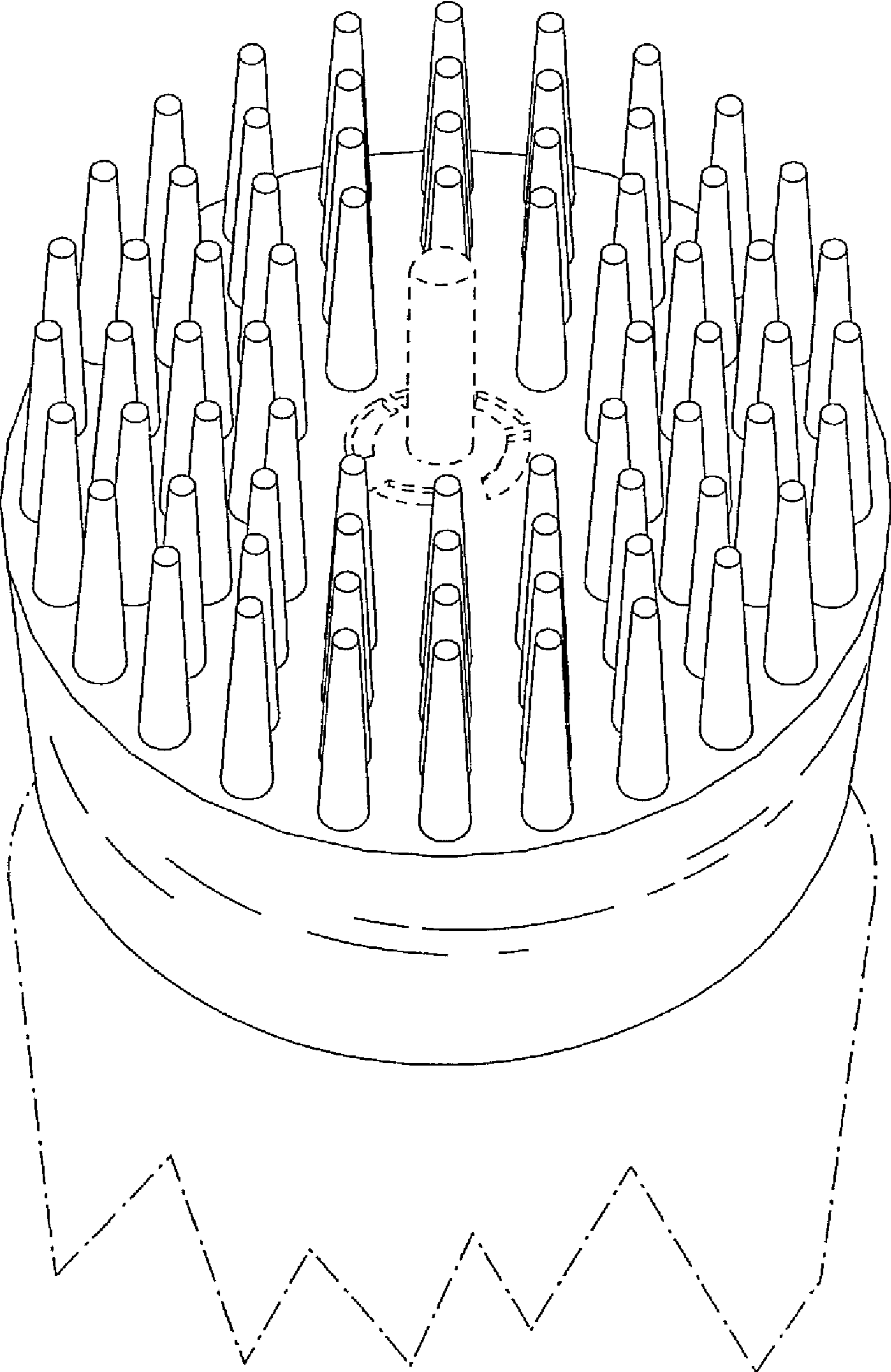


FIG. 4

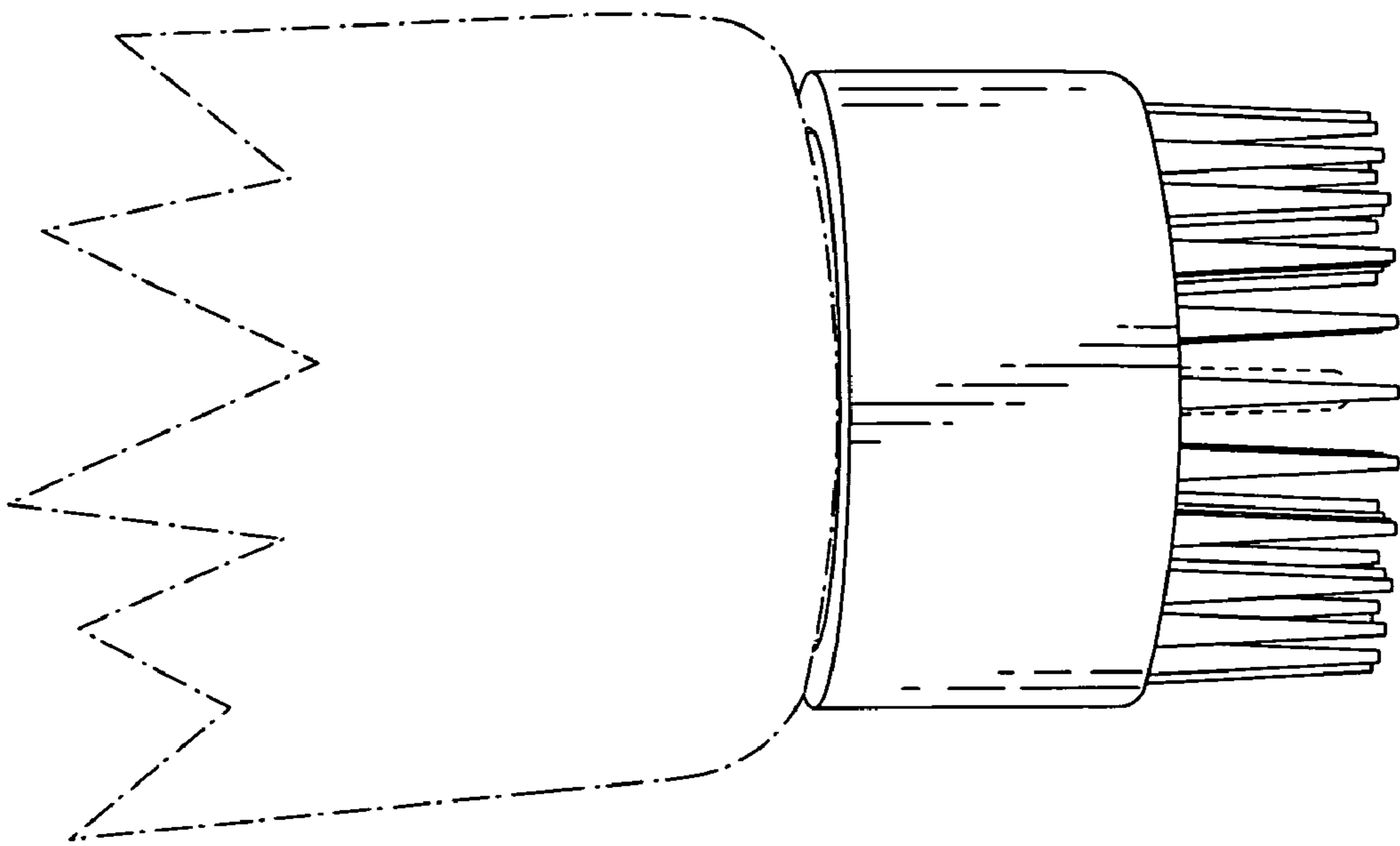


FIG. 5

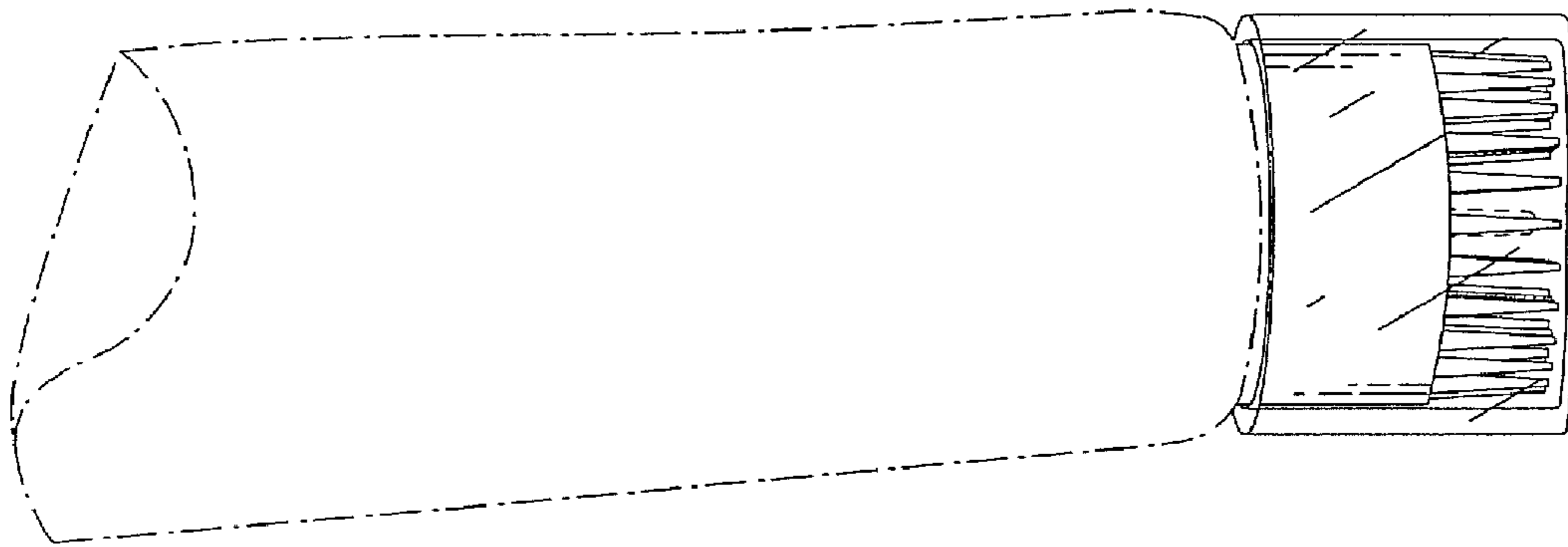


FIG. 6

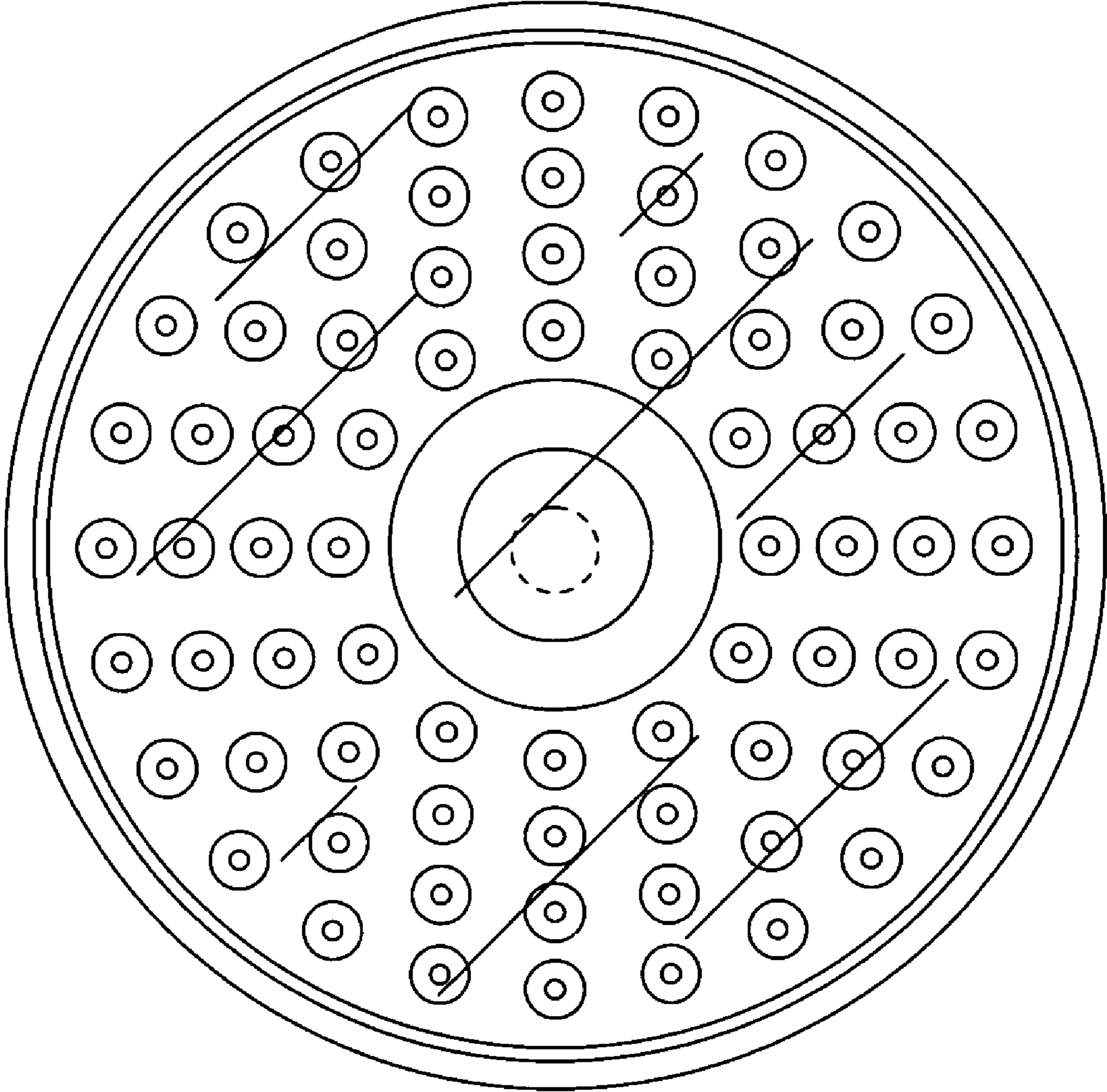


FIG. 7