



US00D608096S

(12) **United States Design Patent**  
**Noble**

(10) **Patent No.:** **US D608,096 S**  
(45) **Date of Patent:** **\*\* Jan. 19, 2010**

(54) **SQUARE END FOR A BAG**

*Primary Examiner*—Holly H Baynham

(75) Inventor: **Matthew Noble**, Los Angeles, CA (US)

(57) **CLAIM**

(73) Assignee: **Custom Leathercraft Manuf. Inc.**,  
South Gate, CA (US)

The ornamental design(s) for the square end for a bag, as shown and described.

(\*\*) Term: **14 Years**

**DESCRIPTION**

(21) Appl. No.: **29/331,031**

FIG. 1 is a perspective View of a square end for a bag shown in a closed state showing our new design;

(22) Filed: **Jan. 17, 2009**

FIG. 2 is perspective view of the square end for a bag shown in an opened state;

(51) **LOC (9) Cl.** ..... **03-01**

FIG. 3 is a top view of the square end for a bag shown in a closed state;

(52) **U.S. Cl.** ..... **D3/318**

(58) **Field of Classification Search** ..... D3/232–233,  
D3/240–246, 318, 324; 150/100, 103–104,  
150/106–110, 113–114, 118–119  
See application file for complete search history.

FIG. 4 is a top view of the square end for a bag shown in an opened state;

FIG. 5 is a right side view of the square end for a bag shown in a closed state;

(56) **References Cited**

**U.S. PATENT DOCUMENTS**

FIG. 6 is a left side view of the square end for a bag shown in a closed state; and,

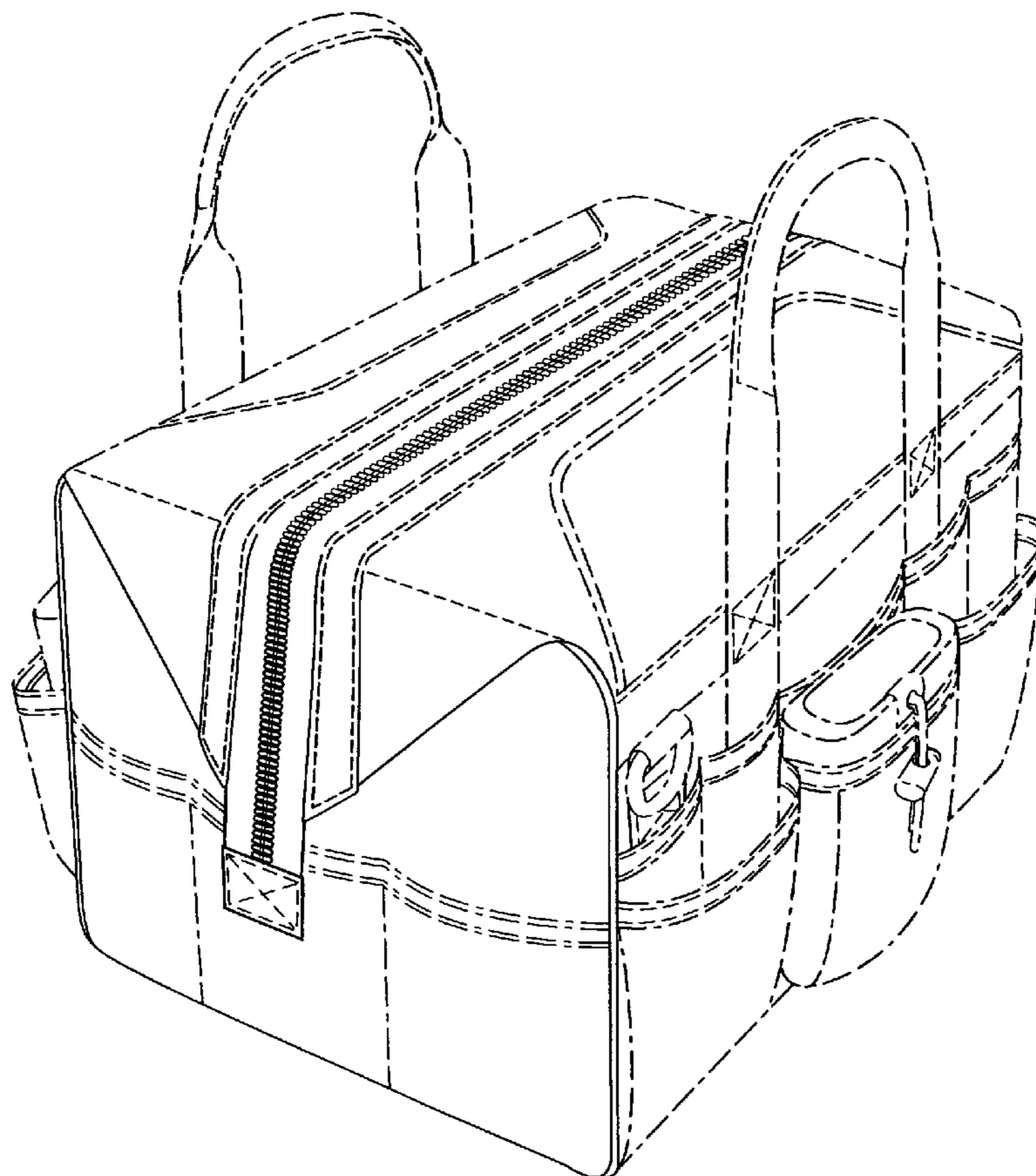
FIG. 7 is a bottom view of the square end for a bag.

D419,763 S *	2/2000	Wiebe	.....	D3/233
D522,238 S *	6/2006	Stulman	.....	D3/243
D560,069 S *	1/2008	Greiner	.....	D3/246
D561,468 S *	2/2008	Maier	.....	D3/232

The broken line showing the rest of the remaining bag and stitching is for illustrative purposes only and forms no part of the claimed design.

\* cited by examiner

**1 Claim, 7 Drawing Sheets**



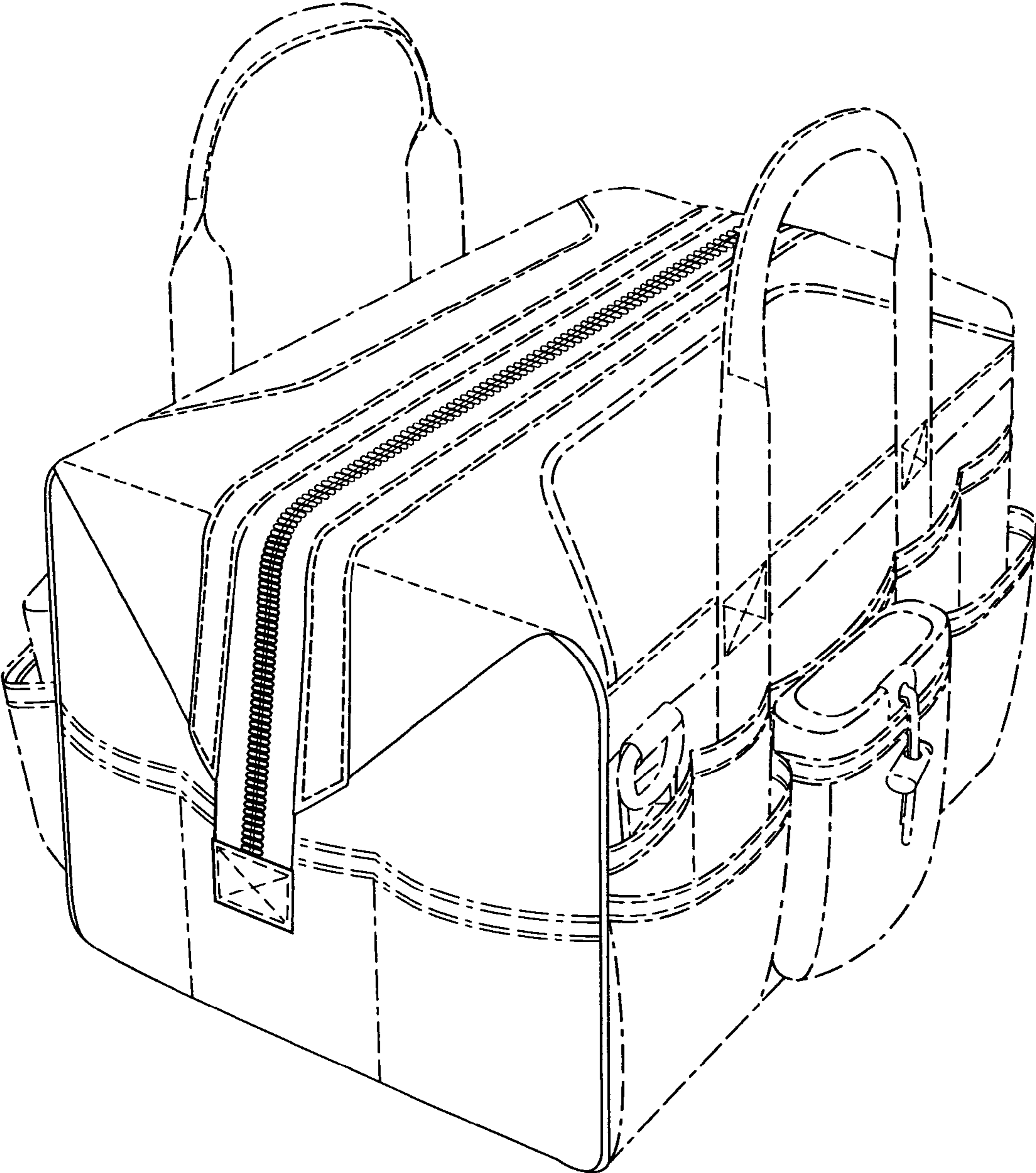


Fig. 1

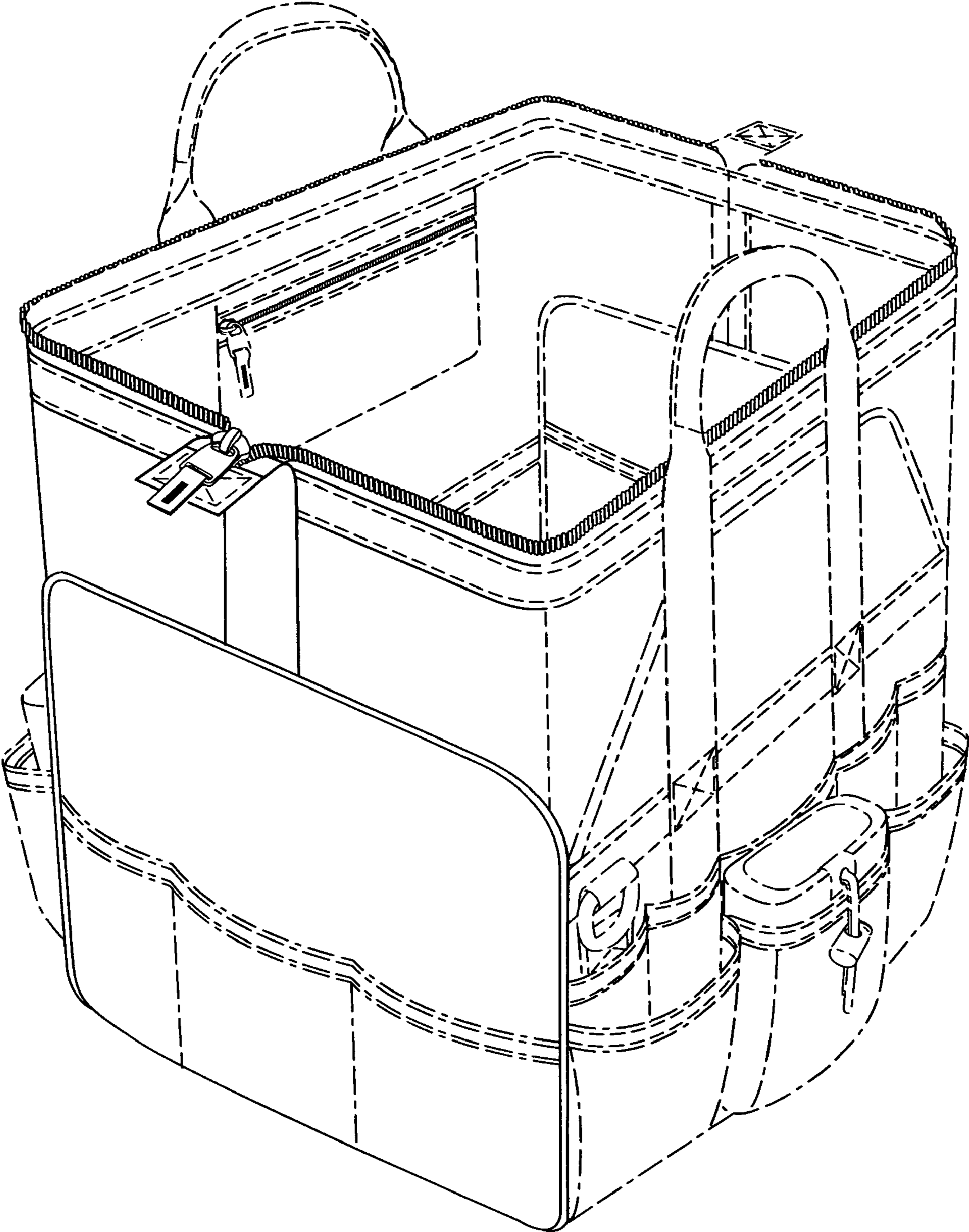


Fig. 2

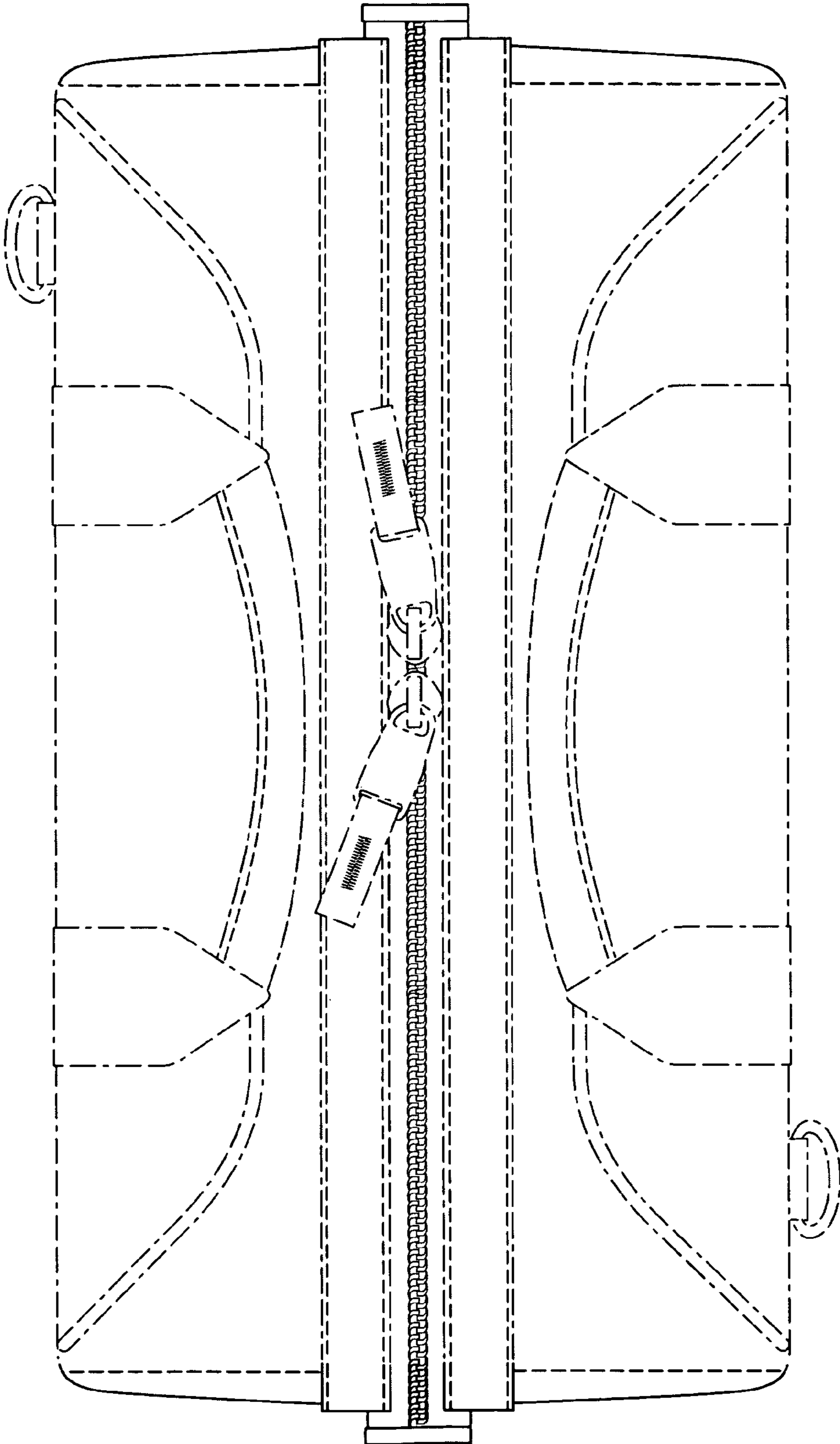


FIG. 3

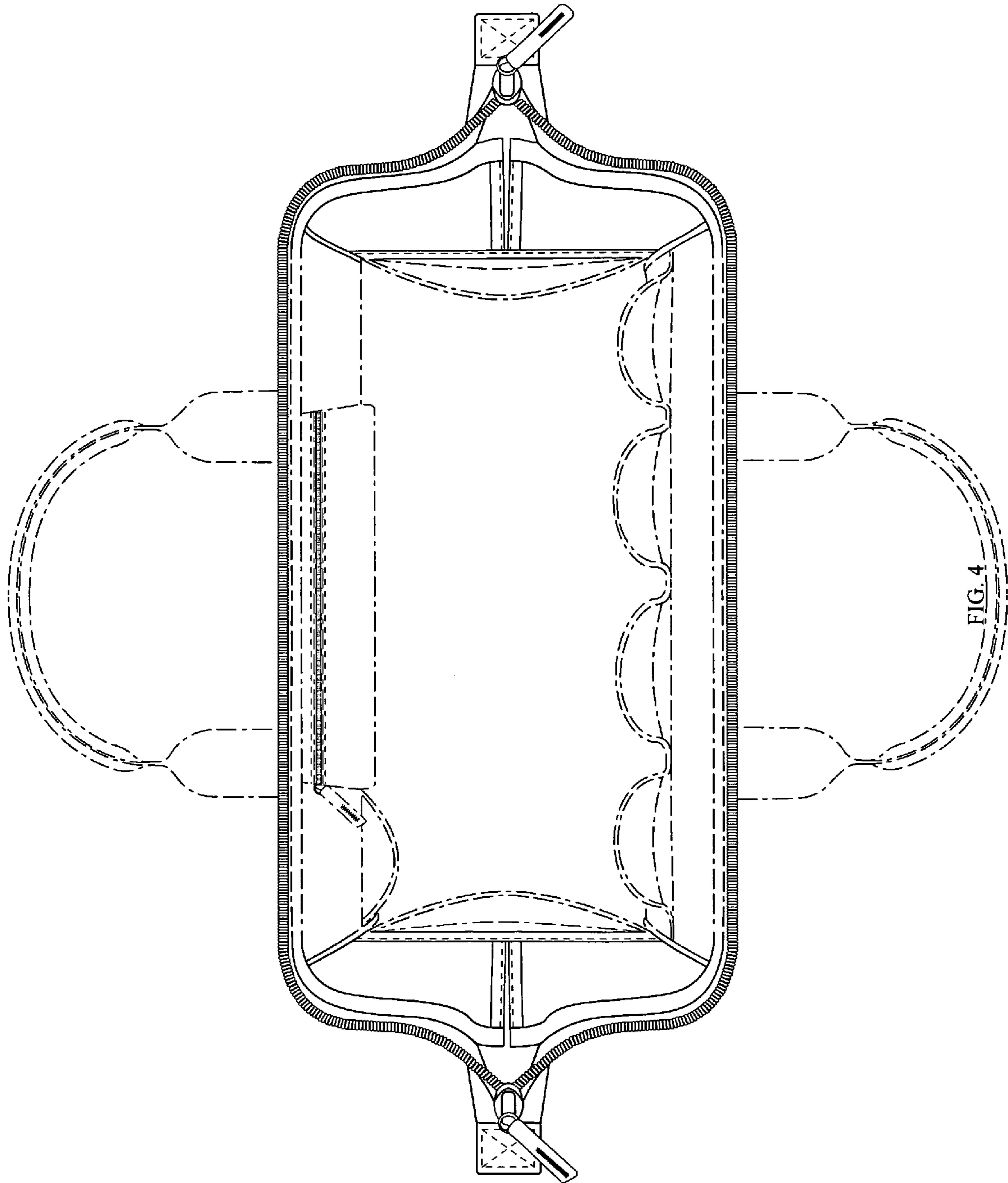


FIG. 4

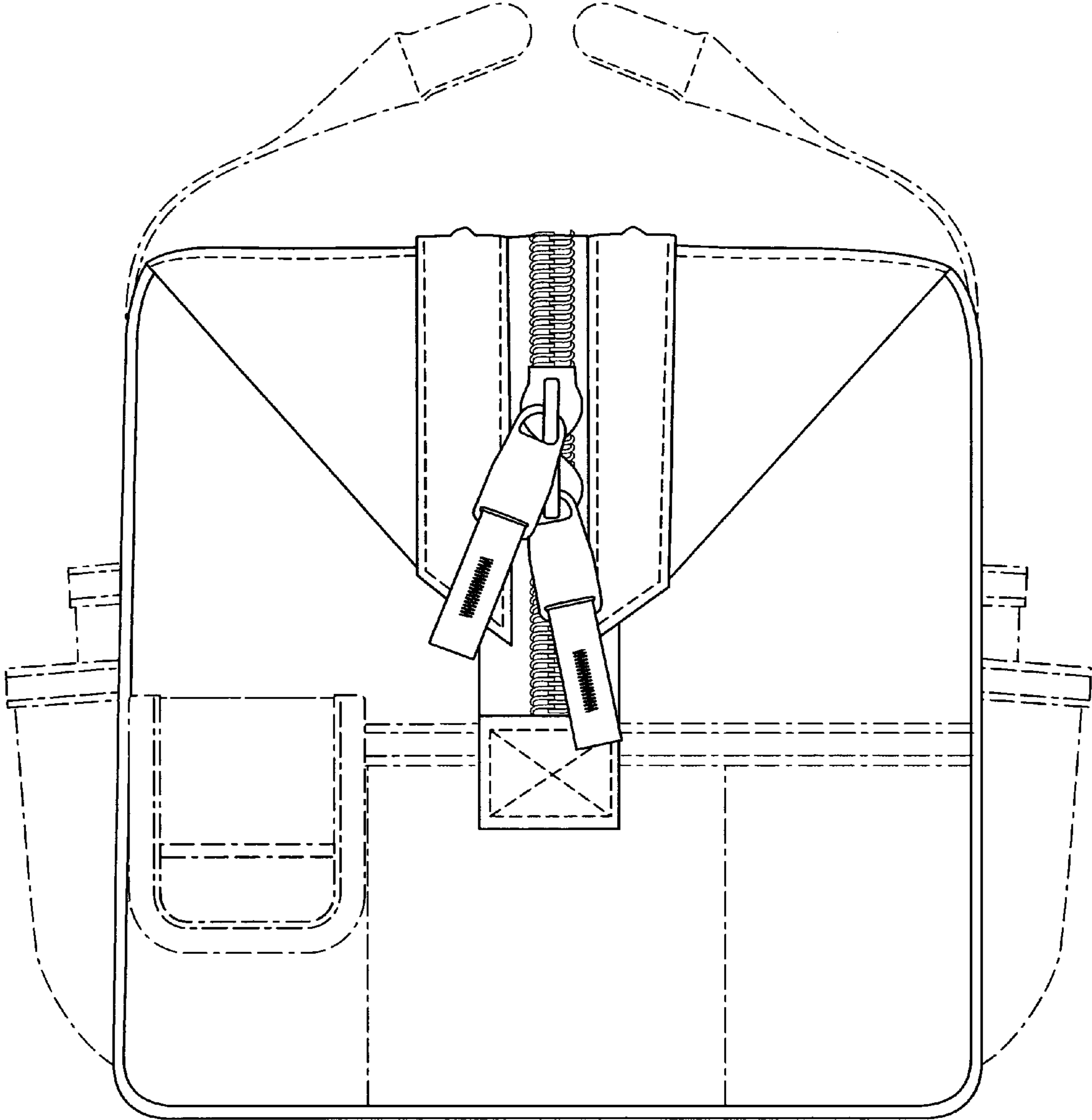


Fig. 5

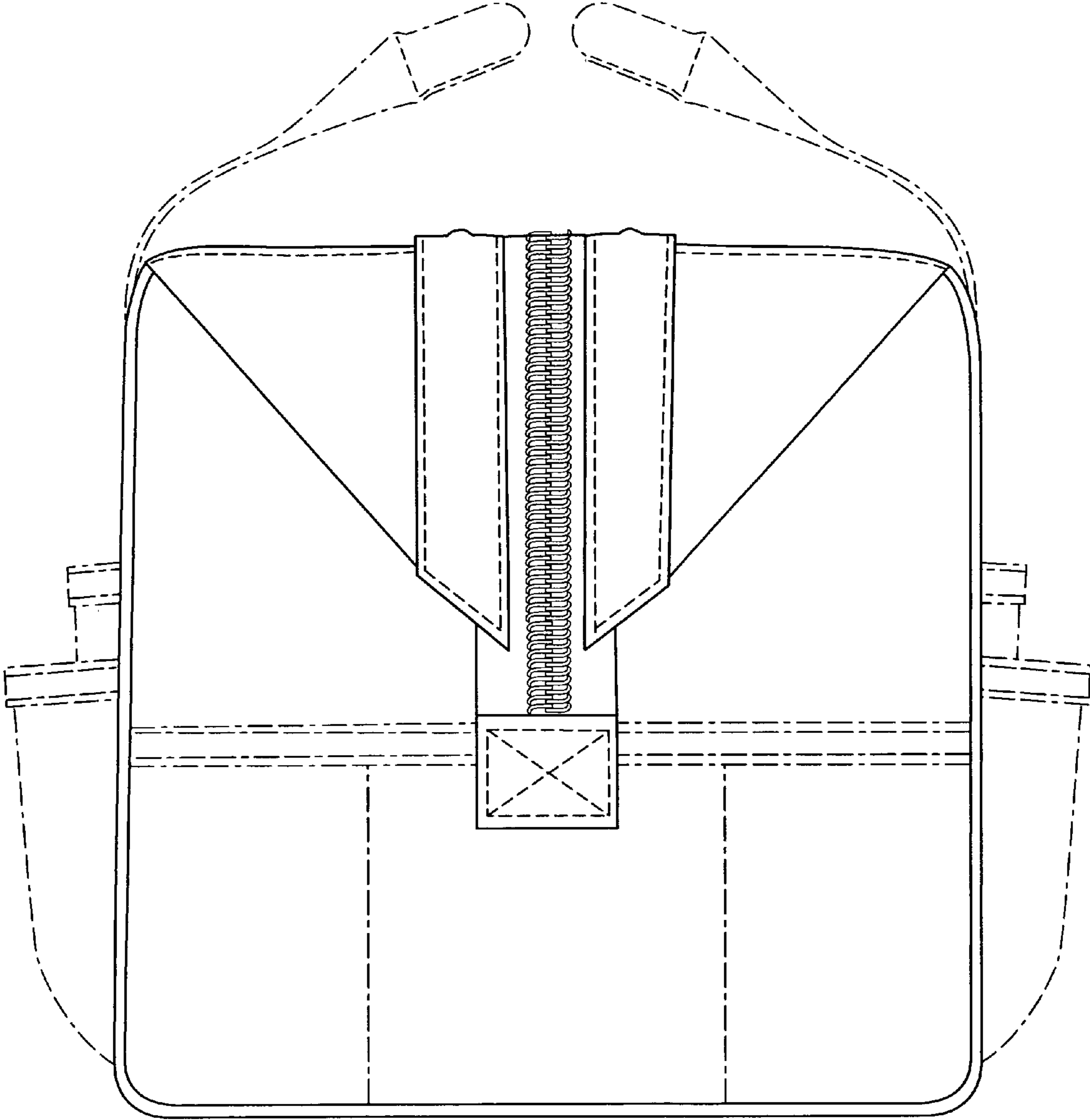


Fig. 6

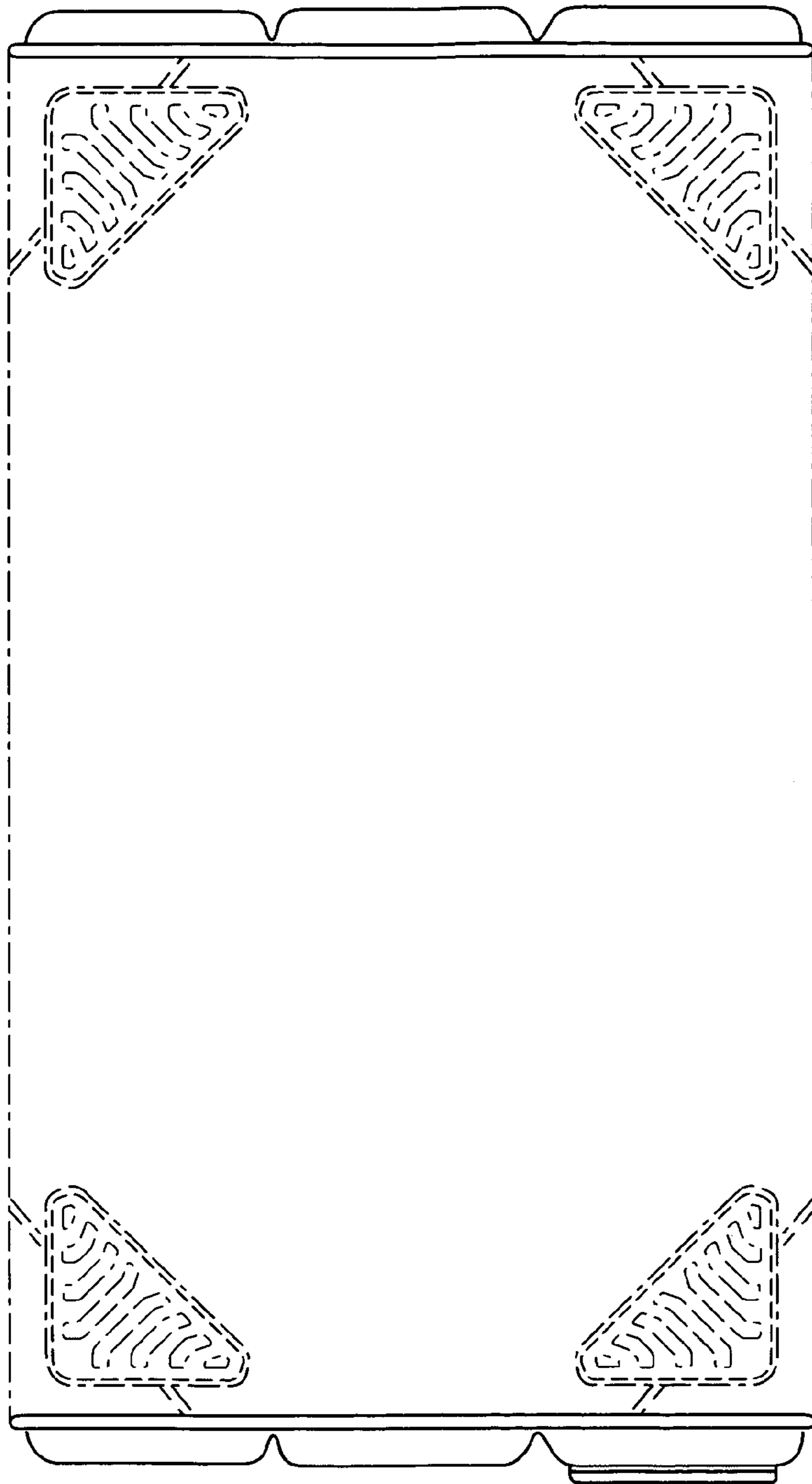


FIG. 7