



US00D608094S

(12) **United States Design Patent**  
**Concari et al.**

(10) **Patent No.:** **US D608,094 S**  
(45) **Date of Patent:** **\*\* Jan. 19, 2010**

(54) **CASE FOR SOCKET WRENCH ACCESSORIES**

DE MR 400 00 302 1/2000  
(Continued)

(75) Inventors: **Gabriel E. Concari**, Eldersburg, MD (US); **Darren B. Moss**, York, PA (US)

*Primary Examiner*—Philip S Hyder  
*Assistant Examiner*—Roselynn Cody  
(74) *Attorney, Agent, or Firm*—Scott B. Markow

(73) Assignee: **Black & Decker Inc.**, Newark, DE (US)

(\*\*) Term: **14 Years**

(57) **CLAIM**

(21) Appl. No.: **29/329,295**

The ornamental design for a case for socket wrench accessories, as shown and described.

(22) Filed: **Dec. 11, 2008**

**DESCRIPTION**

(51) **LOC (9) Cl.** ..... **03-01**

FIG. 1 is a perspective view of an embodiment of a case for socket wrench accessories in a closed condition.

(52) **U.S. Cl.** ..... **D3/282; D3/294; D3/905**

FIG. 2 is a front view thereof.

(58) **Field of Classification Search** ..... D3/201, D3/203.1, 260, 262, 273–274, 276, 282, 294–295, D3/315, 903, 905; 206/349, 372–378

FIG. 3 is a rear view thereof.

See application file for complete search history.

FIG. 4 is a left view thereof.

FIG. 5 is a right view thereof.

(56) **References Cited**

FIG. 6 is a top view thereof.

**U.S. PATENT DOCUMENTS**

FIG. 7 is a bottom view thereof.

D167,868 S	9/1952	Selikoff et al.
D306,936 S	4/1990	McMillan et al.
D314,669 S	2/1991	Kunimune
D343,731 S	2/1994	Tsumita
5,368,164 A	11/1994	Bennett et al.
D358,257 S	5/1995	Sidabras et al.
D367,557 S	3/1996	Chang
D368,371 S	4/1996	Calmeise
5,570,784 A	11/1996	Sidabras et al.
D391,321 S	2/1998	Hill

FIG. 8 is a perspective view of an alternate embodiment of a case for socket wrench accessories in a closed condition.

FIG. 9 is a front view thereof.

FIG. 10 is a rear view thereof.

FIG. 11 is a left view thereof.

FIG. 12 is a right view thereof.

FIG. 13 is a top view thereof; and,

FIG. 14 is a bottom view thereof.

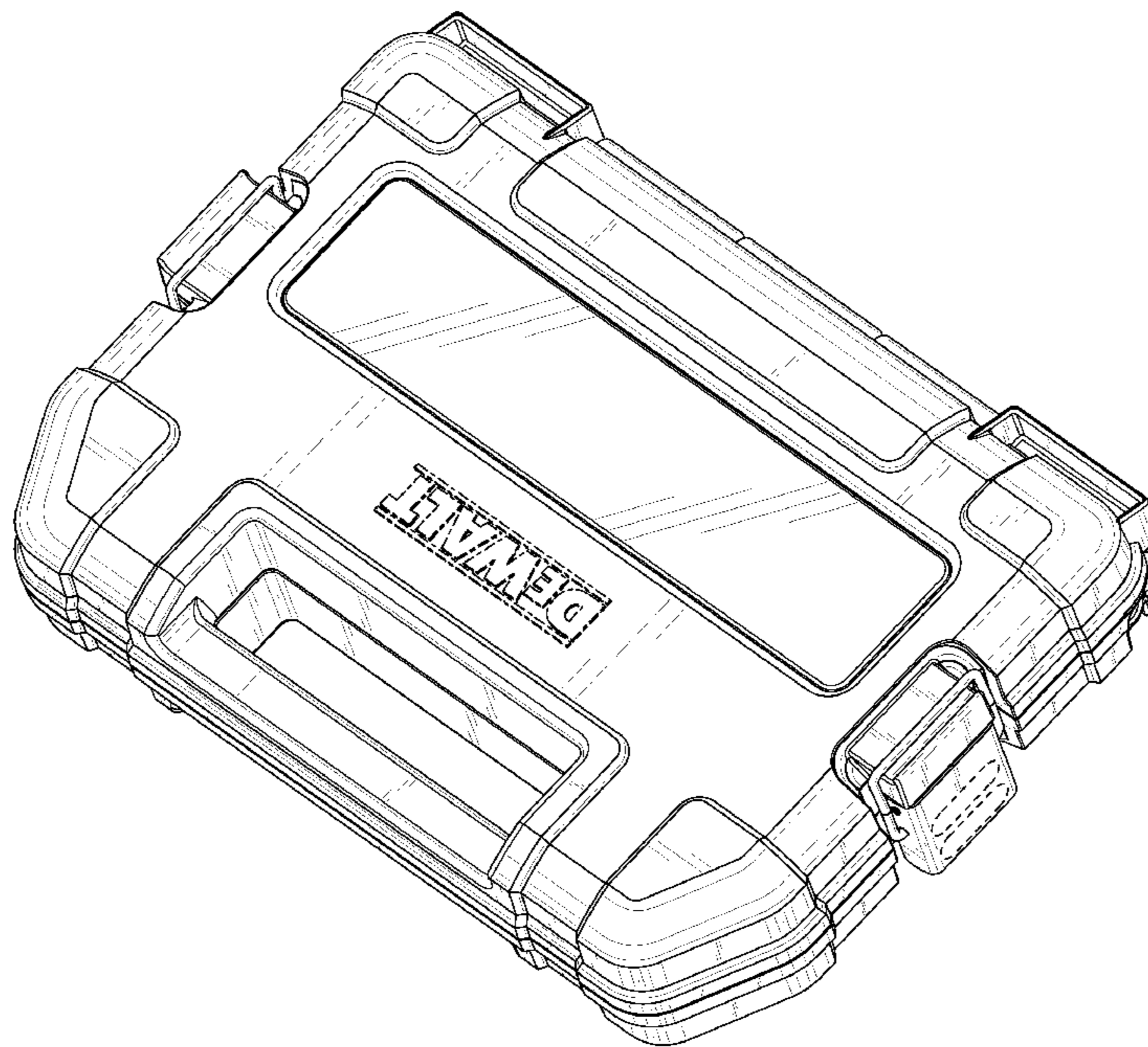
(Continued)

The features shown in dashed lines illustrate environment and form no part of the claimed design.

**FOREIGN PATENT DOCUMENTS**

DE M 91 04 543 6/1991

**1 Claim, 10 Drawing Sheets**



# US D608,094 S

Page 2

## U.S. PATENT DOCUMENTS

D399,652	S	10/1998	Fang
5,839,579	A	11/1998	Lee
D413,203	S	8/1999	Zurwelle et al.
D417,338	S	12/1999	Main
6,032,797	A	3/2000	Kao
6,070,732	A	6/2000	Chen
D429,884	S	8/2000	Zurwelle et al.
D432,304	S	10/2000	Zurwelle et al.
D437,684	S	2/2001	Streich et al.
D440,043	S	4/2001	Miller et al.
6,213,296	B1	4/2001	Streich et al.
D447,634	S	9/2001	Snider
D448,167	S	9/2001	Pangerc et al.
D449,164	S	10/2001	Rosen
D458,748	S	6/2002	Snider
D458,751	S	6/2002	Hsieh
D458,840	S	6/2002	Lai
D459,074	S	6/2002	Eckmann
D459,223	S	6/2002	Lai
6,405,864	B1	6/2002	Streich et al.
D462,520	S	9/2002	Snider
D463,911	S	10/2002	Chen
6,523,687	B2	2/2003	Ling
D471,360	S	3/2003	Huang
D477,912	S	8/2003	Cunningham et al.
D478,209	S	8/2003	Chen
D481,868	S	11/2003	Cunningham et al.
D482,869	S	12/2003	Chen
6,695,142	B2	2/2004	Chen
6,698,609	B2	3/2004	Pangerc et al.
D487,970	S	4/2004	Meier et al.
6,755,302	B1	6/2004	Streich et al.
6,854,607	B2	2/2005	Tong
D502,316	S	3/2005	Chen
D507,877	S	8/2005	Lin
D514,316	S	2/2006	Allan et al.
D514,807	S	2/2006	Concari et al.
D516,310	S	3/2006	Brunson et al.
D516,311	S	3/2006	Lai
D516,808	S	3/2006	Brunson et al.
7,048,133	B2	5/2006	Pangerc et al.
D530,912	S	10/2006	Wikle
D539,539	S	4/2007	Braden
7,228,983	B2	6/2007	Pangerc et al.
D557,897	S *	12/2007	Richardson et al. .... D3/294
7,316,309	B2	1/2008	Streich et al.
7,322,470	B2	1/2008	Brunson
7,328,796	B2	2/2008	Brunson et al.
D568,046	S	5/2008	Hsu
D569,616	S	5/2008	Lin

2003/0141211	A1	7/2003	Tsai
2004/0188366	A1	9/2004	Tong
2005/0029139	A1 *	2/2005	Chen ..... 206/373
2006/0219588	A1	10/2006	Chen
2007/0138041	A1	6/2007	Welsh
2007/0235360	A1	10/2007	Lin
2008/0035510	A1	2/2008	Brunson

## FOREIGN PATENT DOCUMENTS

DE	MR 401 03 978	4/2001
DE	403 06 096	9/2003
DE	20 2004 004 794	7/2004
DE	405 04 506	8/2005
DE	406 00 506	1/2006
DE	20 2006 005 908	8/2006
DE	407 00 476	1/2007
DE	20 2007 010 582	11/2007
DE	20 2007 012 880	2/2008
EM	000 059 209-0001	8/2003
EM	000 073 846-0001	9/2003
EM	000 100 649-0001	11/2003
EM	000 156 567-0001	3/2004
EM	000 163 746-0001	4/2004
EM	000 172 127-0001	4/2004
EM	000 202 346-0001	7/2004
EM	000 229 976-0003	9/2004
EM	000 248 174-0001	11/2004
EM	000 270 384-0001	12/2004
EM	000 450 838-0001	12/2005
EM	000 450 838-0002	12/2005
EM	000 450 838-0003	12/2005
EM	000 450 838-0004	12/2005
EM	000 483 169-0001	2/2006
EM	000 519 426-0001	4/2006
EM	000 568 969-0001	7/2006
EM	000 607 031-0001	10/2006
EM	000 650 049-0001	1/2007
EM	000 650 049-0002	1/2007
EM	000 650 049-0003	1/2007
EM	000 650 049-0004	1/2007
EM	000 650 049-0005	1/2007
EM	000 653 464-0001	1/2007
EM	000 707 971-0003	4/2007
EM	000 707 971-0005	4/2007
EM	000 967 245-0002	7/2008
EM	001 024 277-0001	10/2008
EP	1 681 139	4/2007
WO	DM/022 732	4/1992
WO	DM/039 861	4/1997

\* cited by examiner

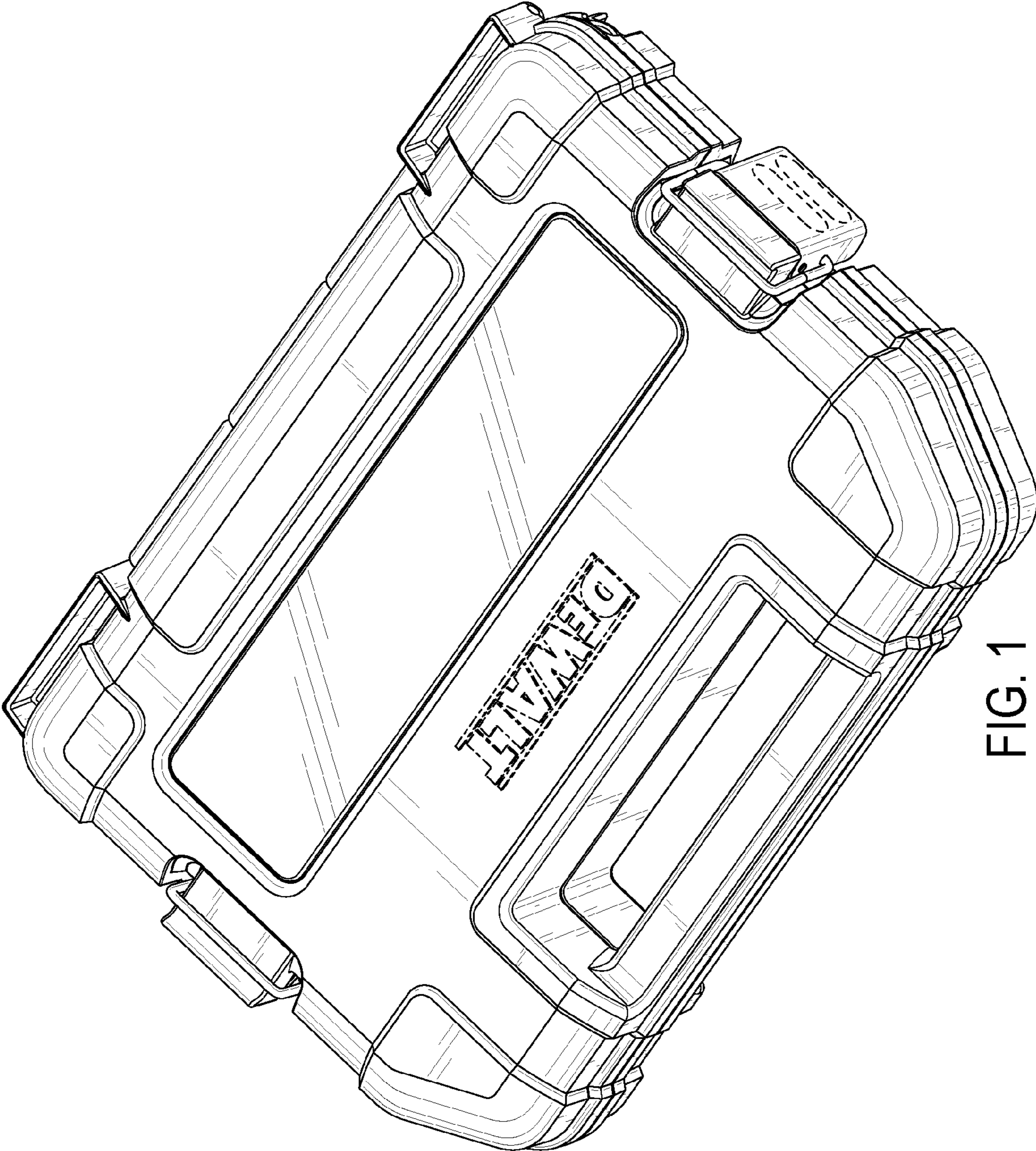


FIG. 1

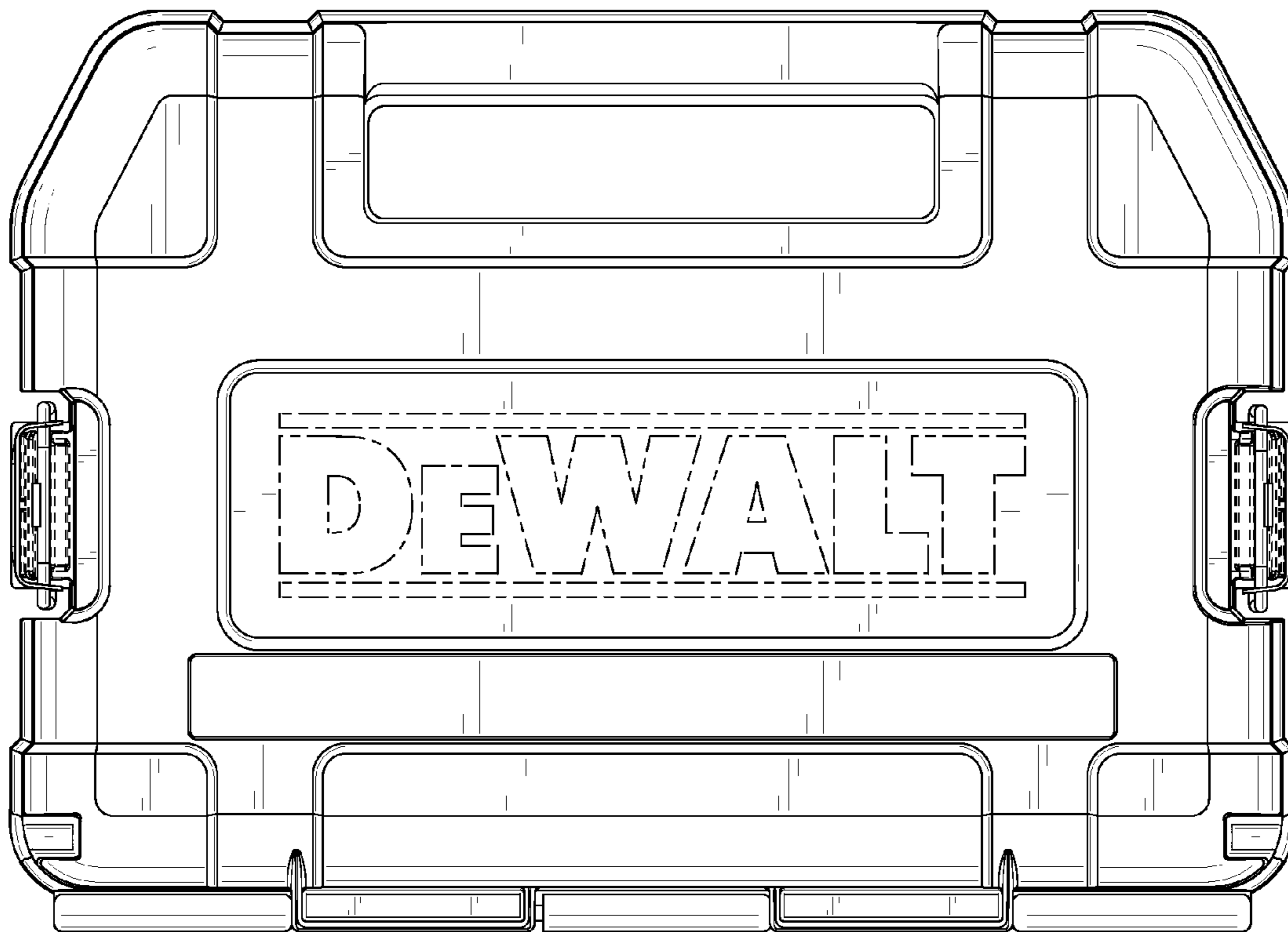


FIG. 2

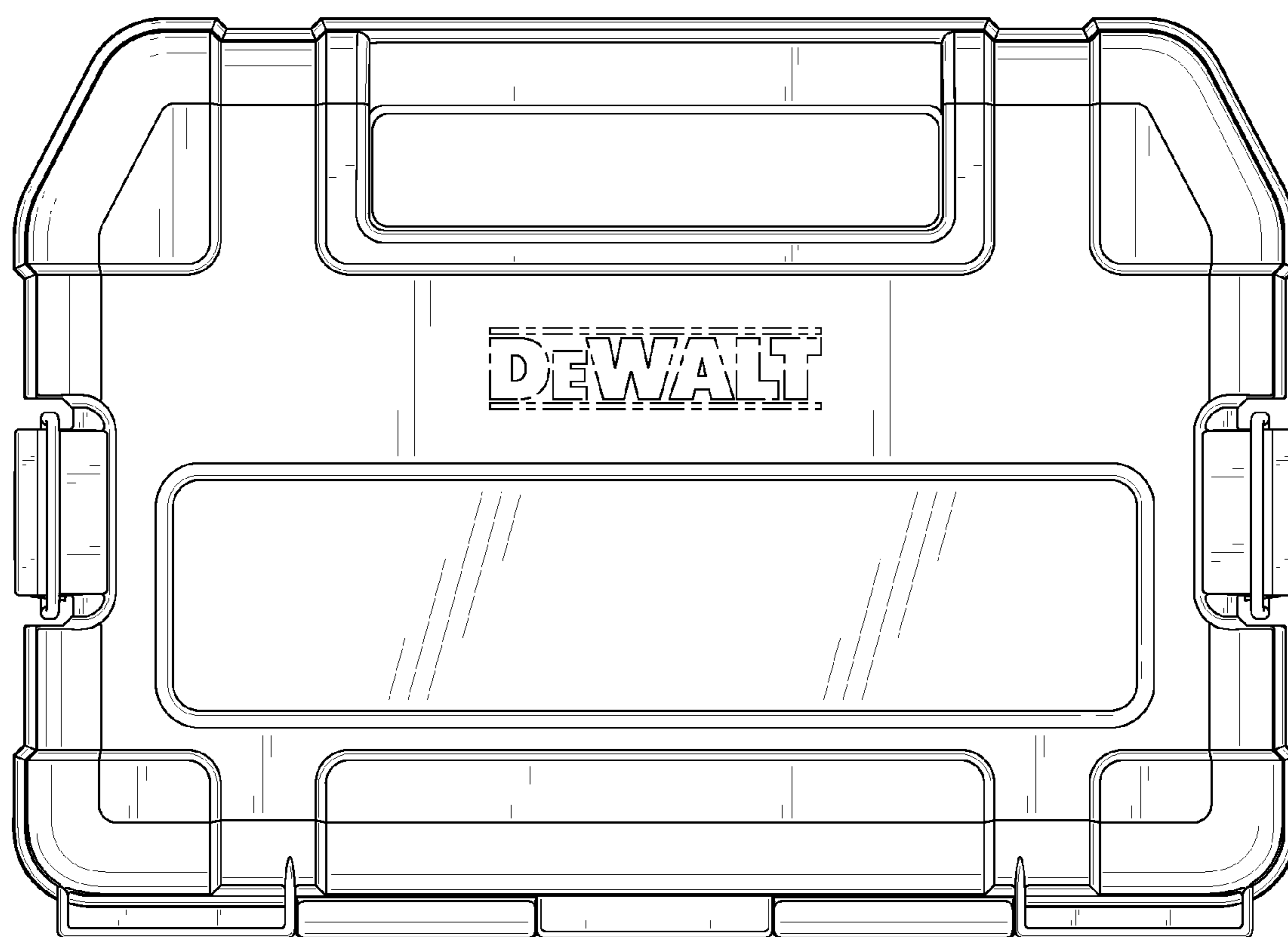


FIG. 3

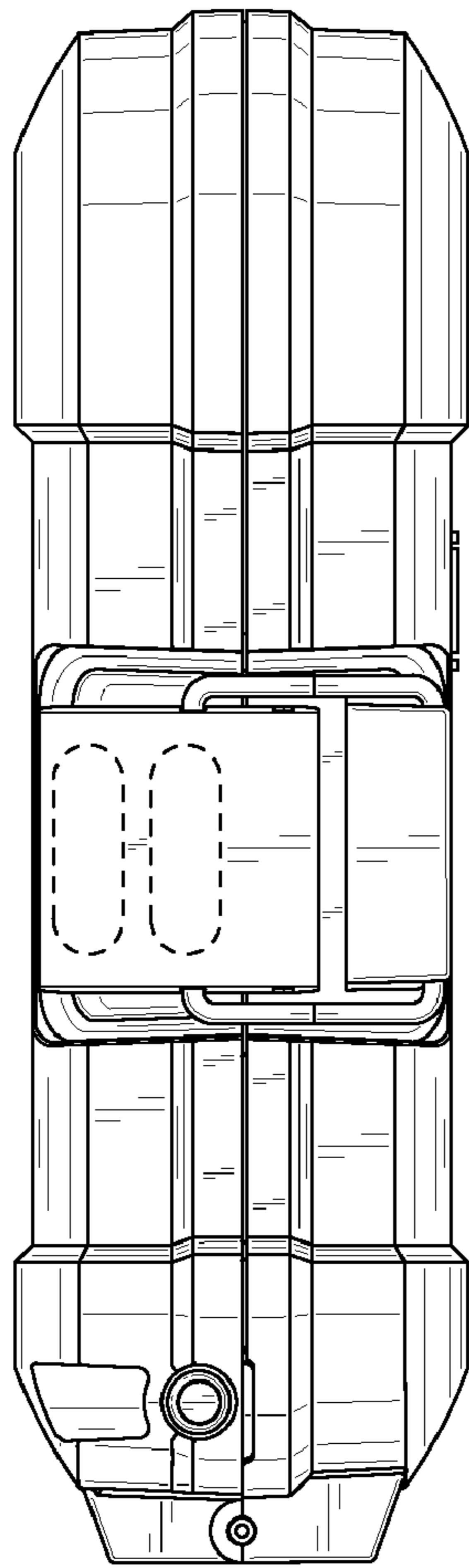


FIG. 4

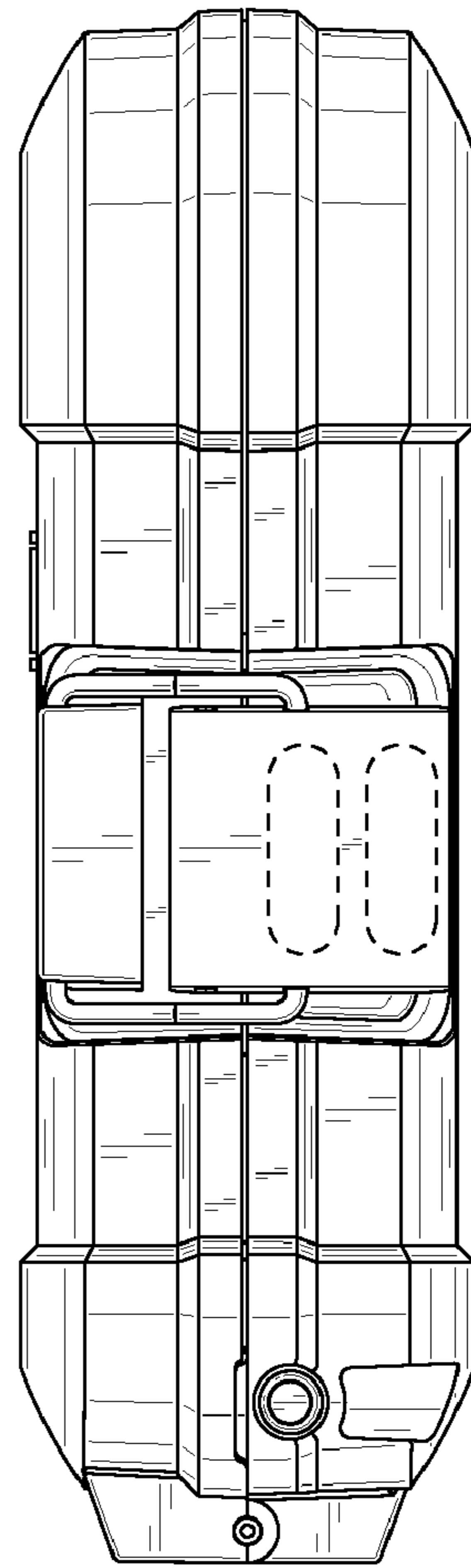


FIG. 5

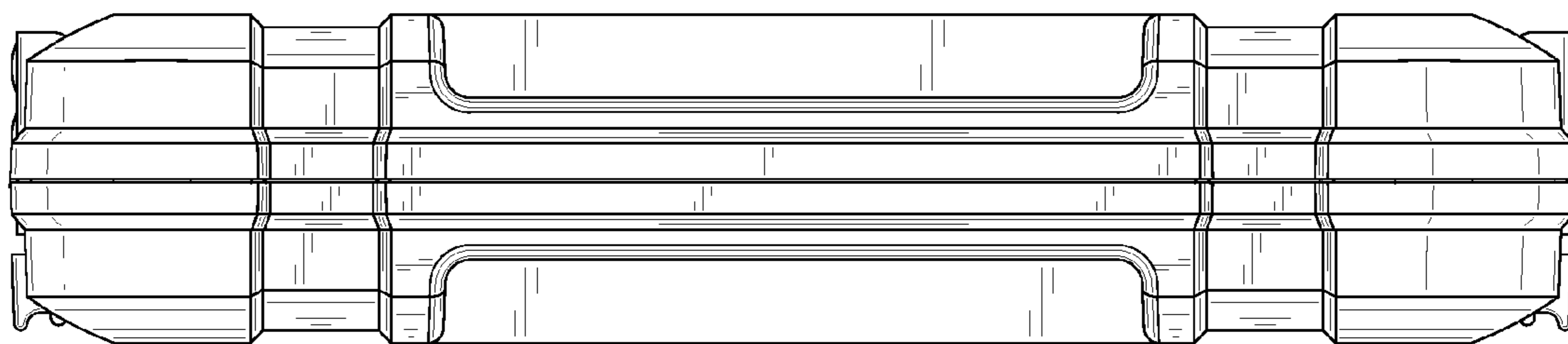


FIG. 6

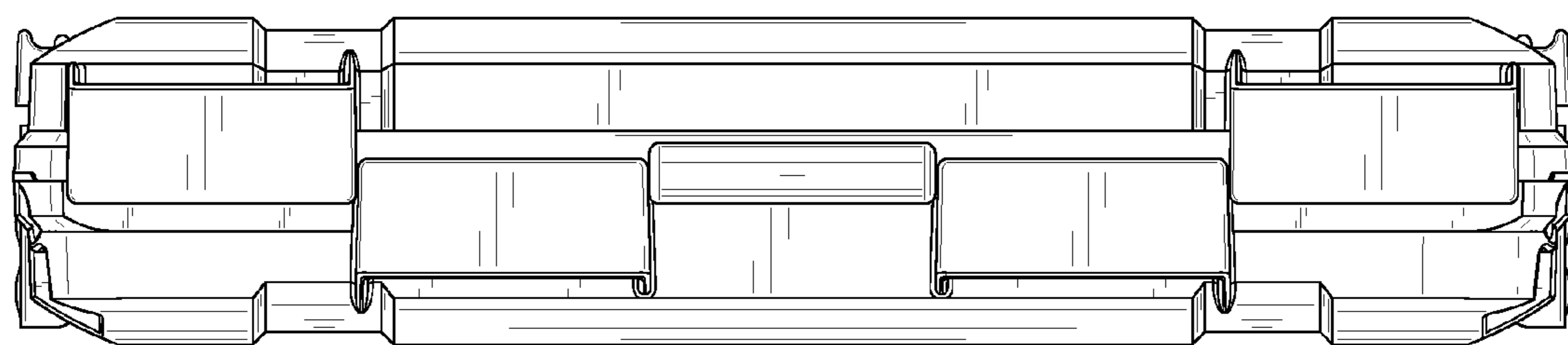


FIG. 7

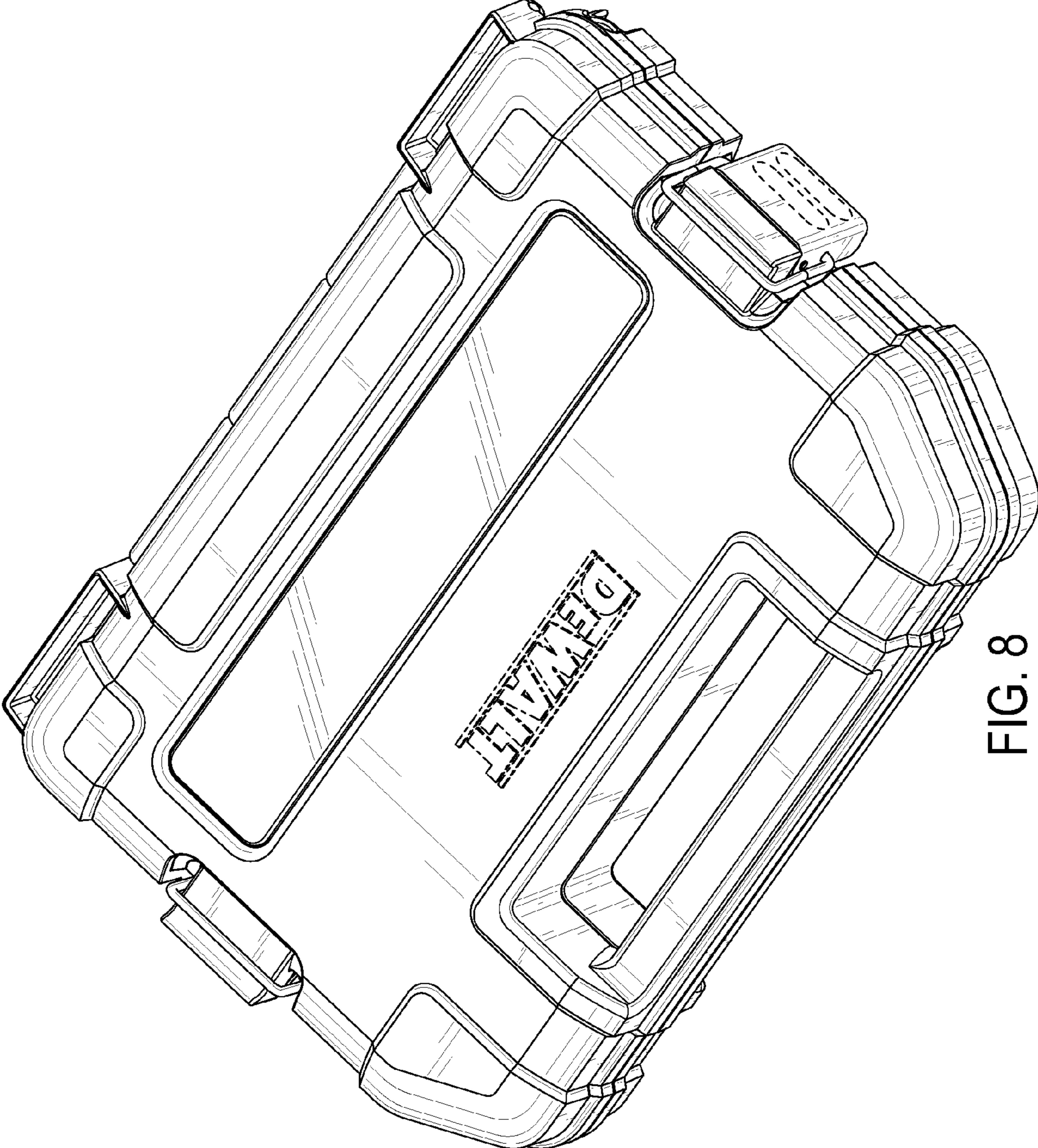


FIG. 8



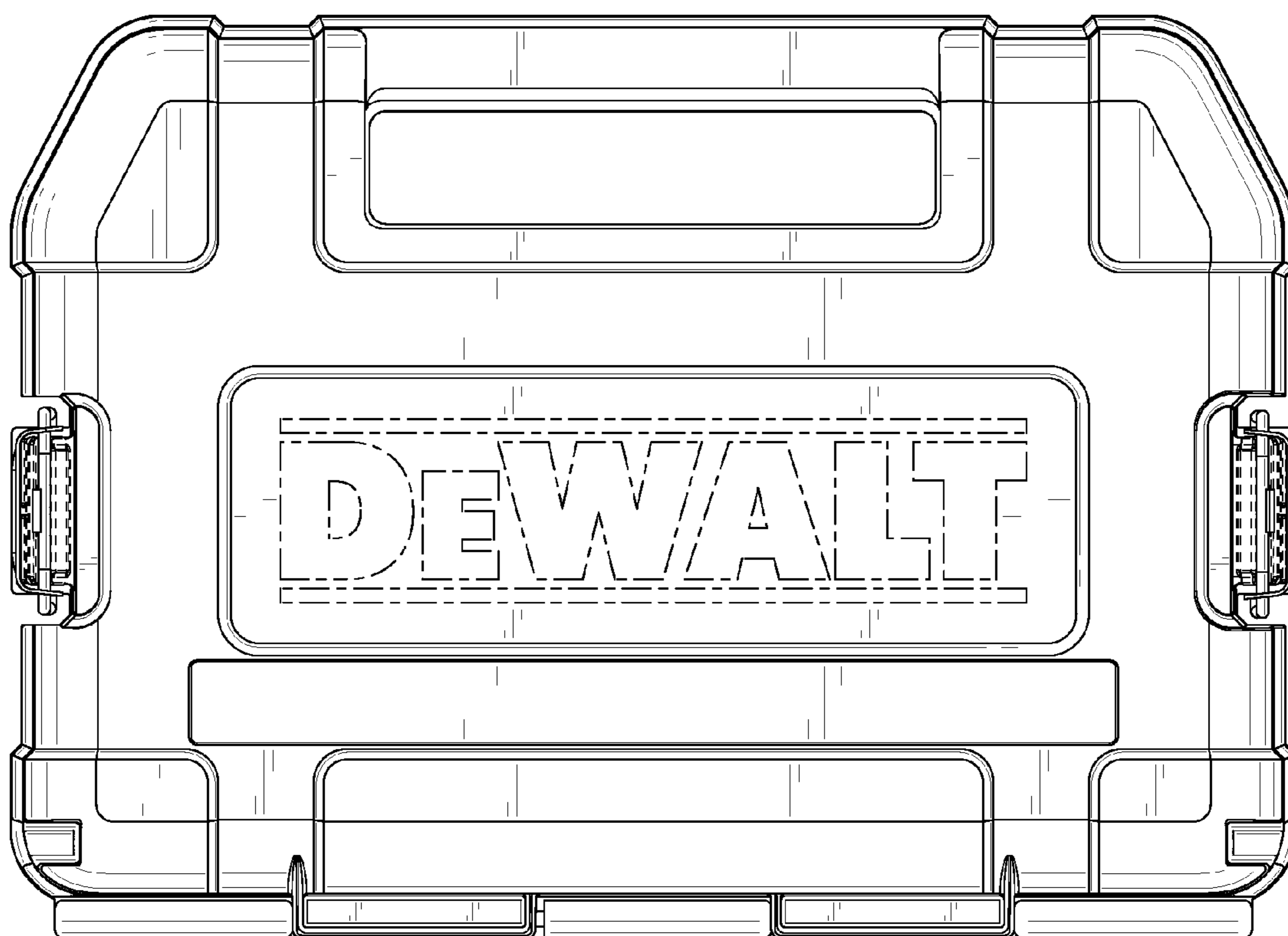


FIG. 9

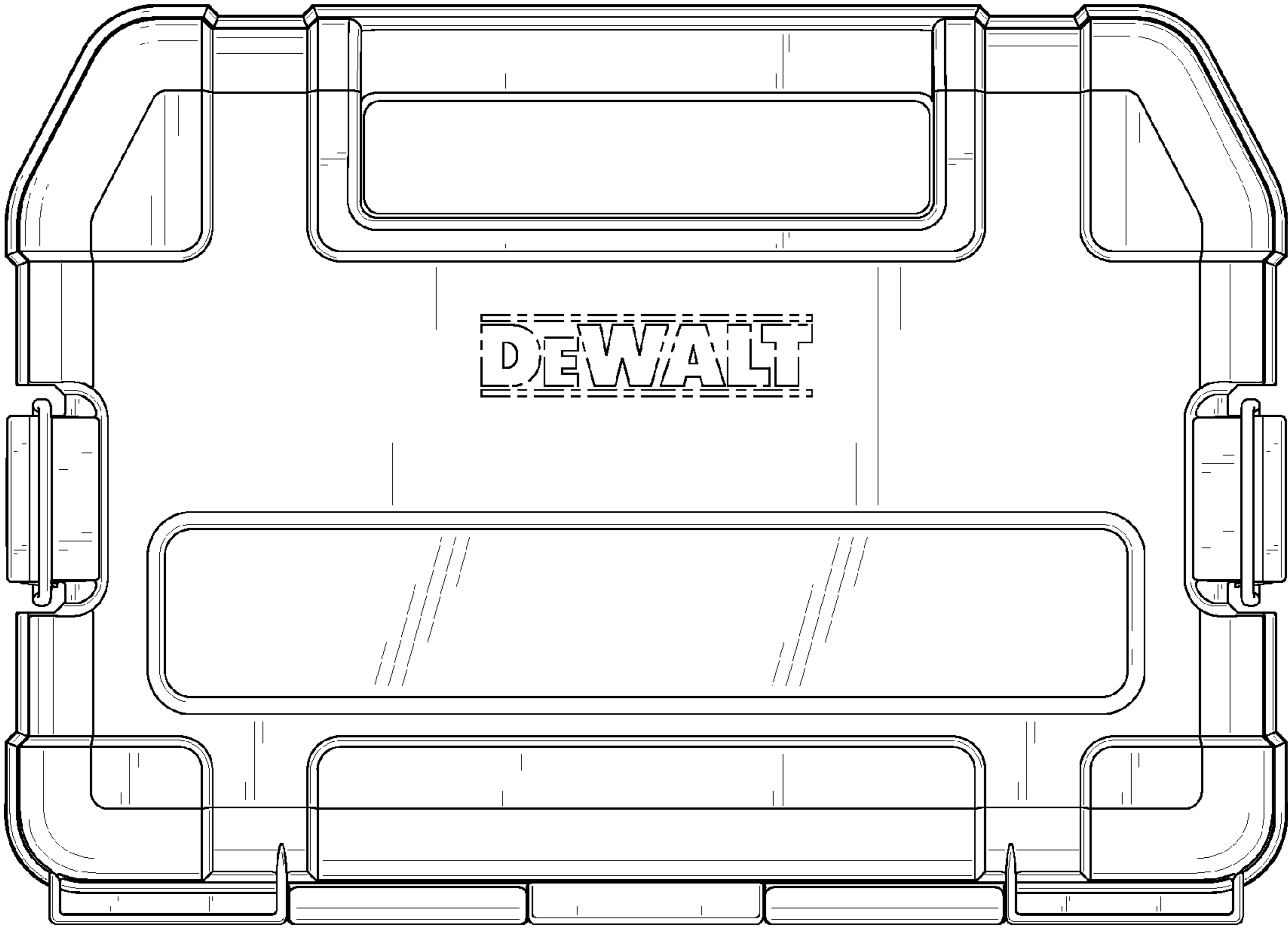


FIG. 10

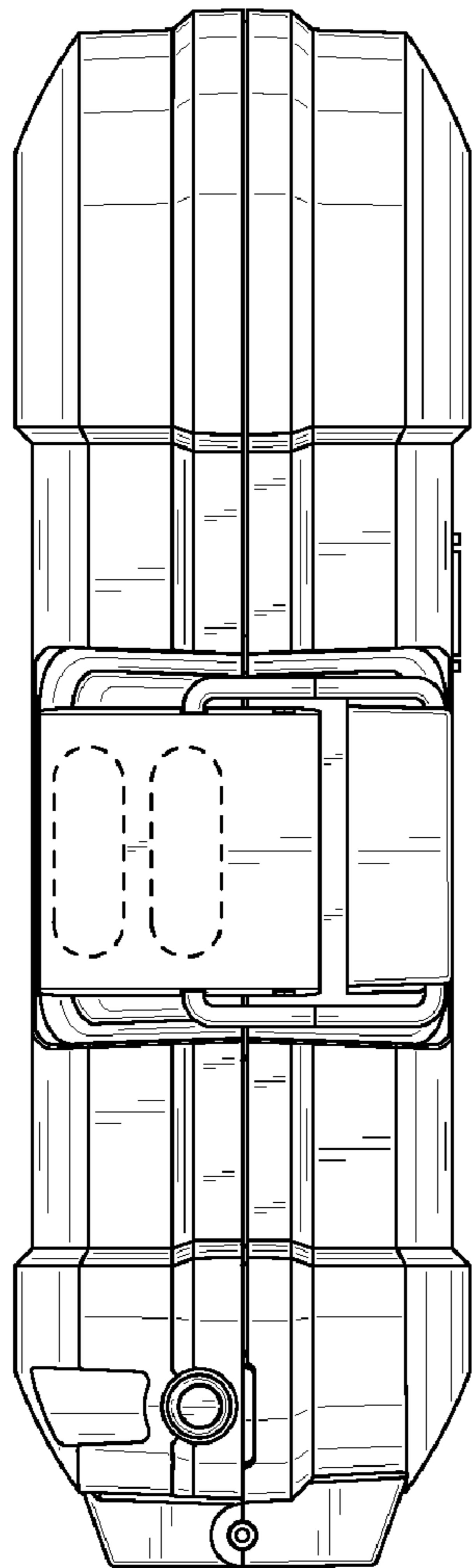


FIG. 11



FIG. 12

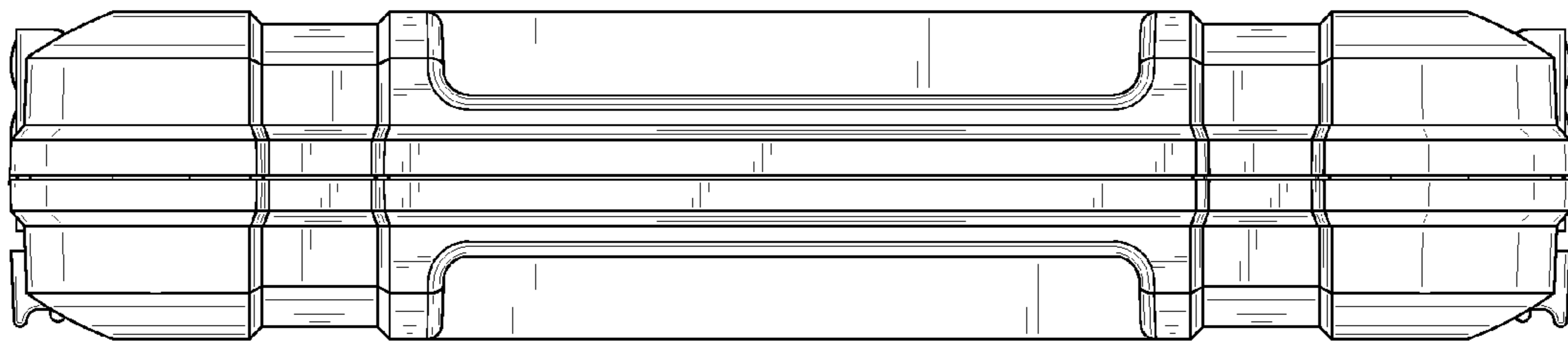


FIG. 13

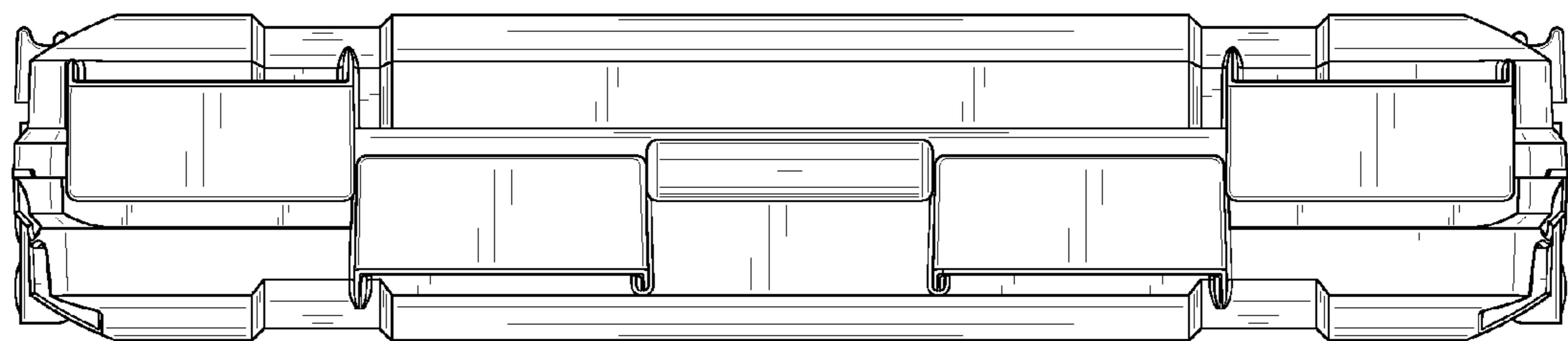


FIG. 14