



US00D608086S

(12) **United States Design Patent**
Johnson et al.

(10) **Patent No.:** **US D608,086 S**
(45) **Date of Patent:** **** Jan. 19, 2010**

(54) **ITEM HOLDER**

(75) Inventors: **Ronald L. Johnson**, San Jose, CA (US);
Idriss Mansouri-Chafik Ruiz, San Jose,
CA (US); **Kevin Michael Childs**, Foster
City, CA (US); **Josh Paul Defosset**,
Boulder Creek, CA (US)

(73) Assignee: **Wagic, Inc.**, Los Gatos, CA (US)

(**) Term: **14 Years**

(21) Appl. No.: **29/332,976**

(22) Filed: **Feb. 27, 2009**

(51) **LOC (9) Cl.** **03-01**

(52) **U.S. Cl.** **D3/228**

(58) **Field of Classification Search** D3/228,
D3/215, 221; 224/183, 197, 250, 268, 904;
248/302-304, 339; D8/367, 370

See application file for complete search history.

(56) **References Cited**

U.S. PATENT DOCUMENTS

D275,527 S *	9/1984	Gee	D3/215
5,687,892 A *	11/1997	Johns	224/268
5,743,451 A	4/1998	Kahn		
6,062,449 A	5/2000	Kahn		
D443,135 S *	6/2001	Marks et al.	D3/228
D452,610 S *	1/2002	Schwartzmiller	D3/228
6,443,342 B1	9/2002	Kahn		
6,454,147 B1 *	9/2002	Marks	224/268
RE38,035 E	3/2003	Kahn		

6,641,011 B1	11/2003	Kahn
6,655,560 B2	12/2003	Kahn
6,880,794 B1	4/2005	Kahn
D586,060 S	2/2009	Kahn
2002/0108980 A1	8/2002	Kahn
2003/0085243 A1	5/2003	Kahn
2007/0056999 A1	3/2007	Kahn
2007/0125819 A1	6/2007	Kahn
2008/0277546 A1	11/2008	Kahn
2008/0283701 A1	11/2008	Kahn
2009/0145938 A1	6/2009	Kahn

* cited by examiner

Primary Examiner—Catherine R Oliver

(74) *Attorney, Agent, or Firm*—Haverstock & Owens LLP

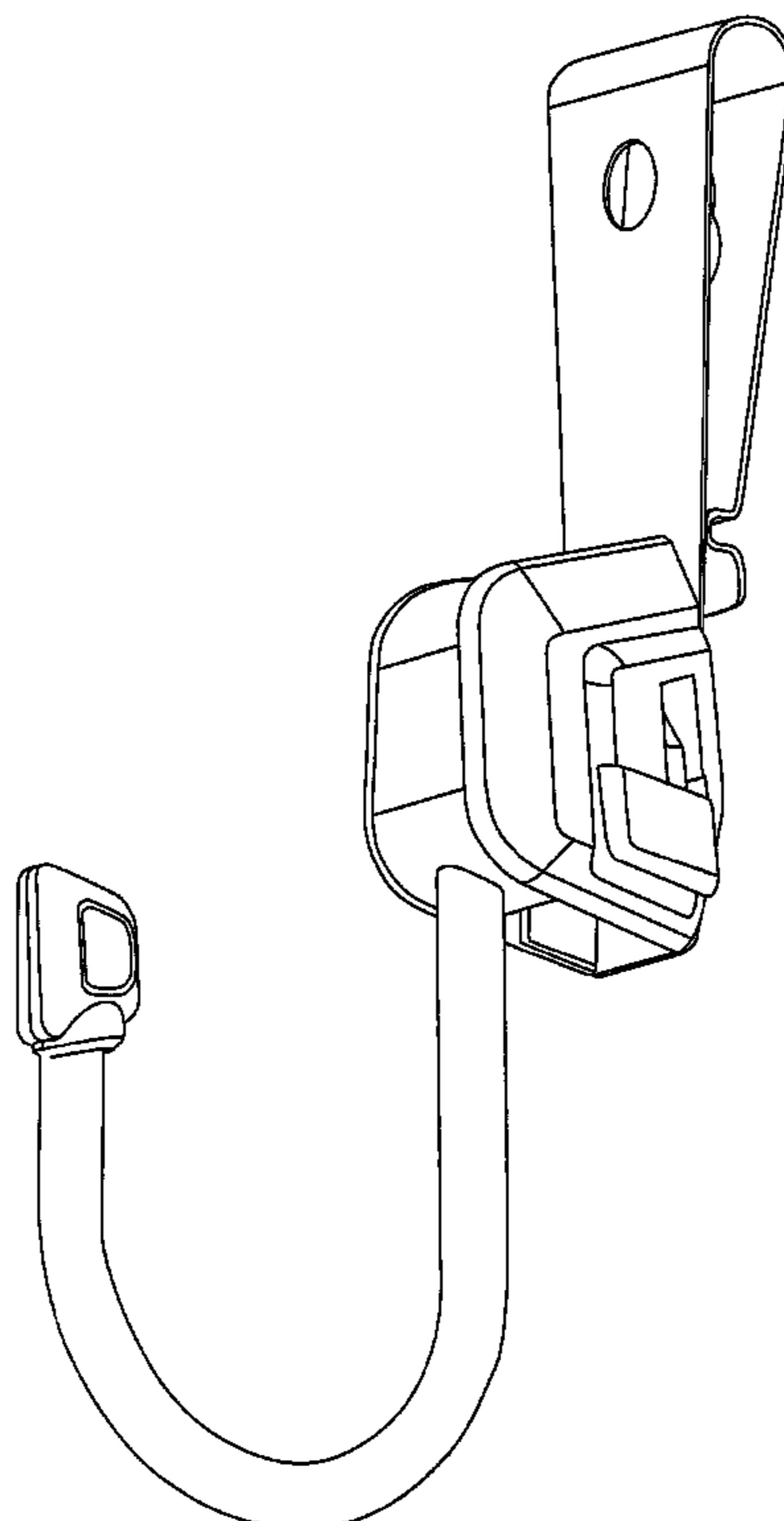
(57) **CLAIM**

We claim the ornamental design for a item holder, as shown and described.

DESCRIPTION

FIG. 1 is a front view of the item holder;
FIG. 2 is a rear view of the item holder;
FIG. 3 is a left side view of the item holder;
FIG. 4 is a right side view of the item holder;
FIG. 5 is a bottom view of the item holder;
FIG. 6 is a top view of the item holder;
FIG. 7 is a perspective view of the item holder; and,
FIG. 8 is an exploded perspective view of the item holder.

1 Claim, 8 Drawing Sheets



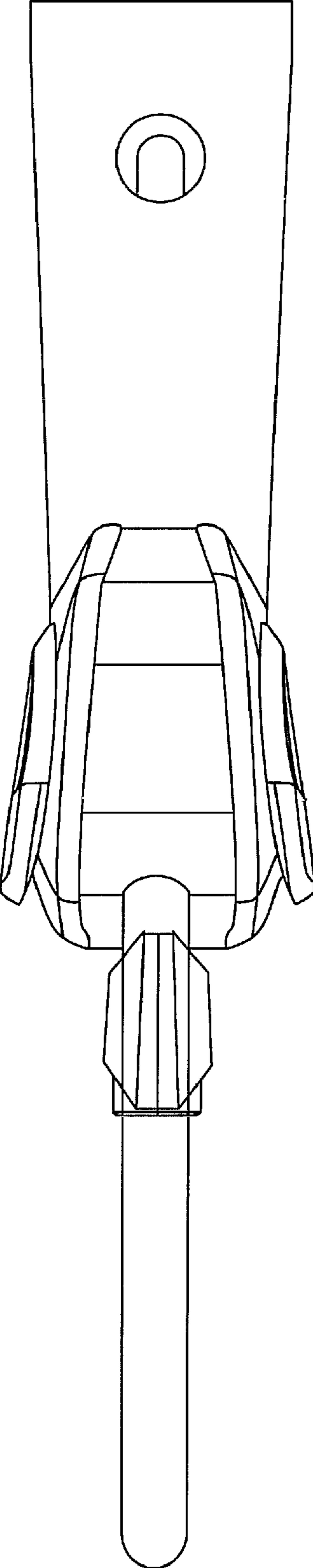


Fig. 1

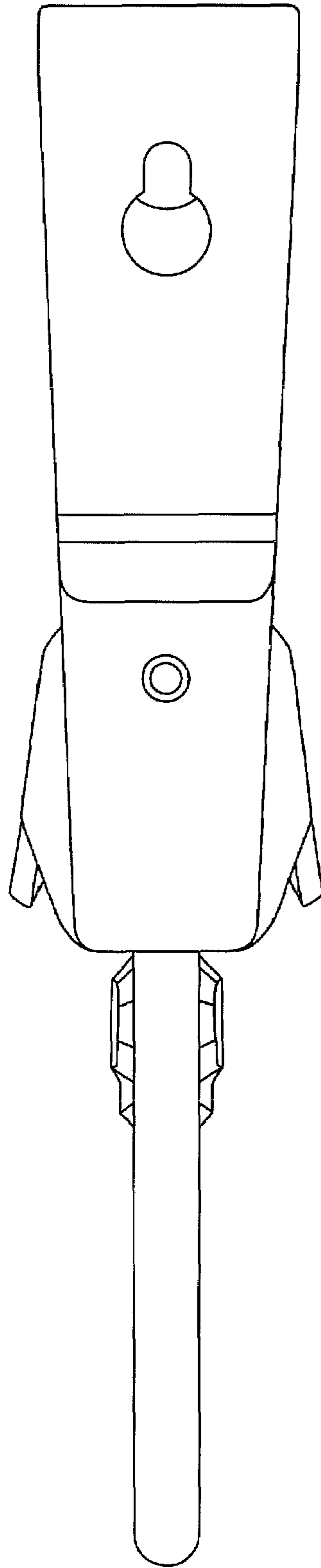


Fig. 2

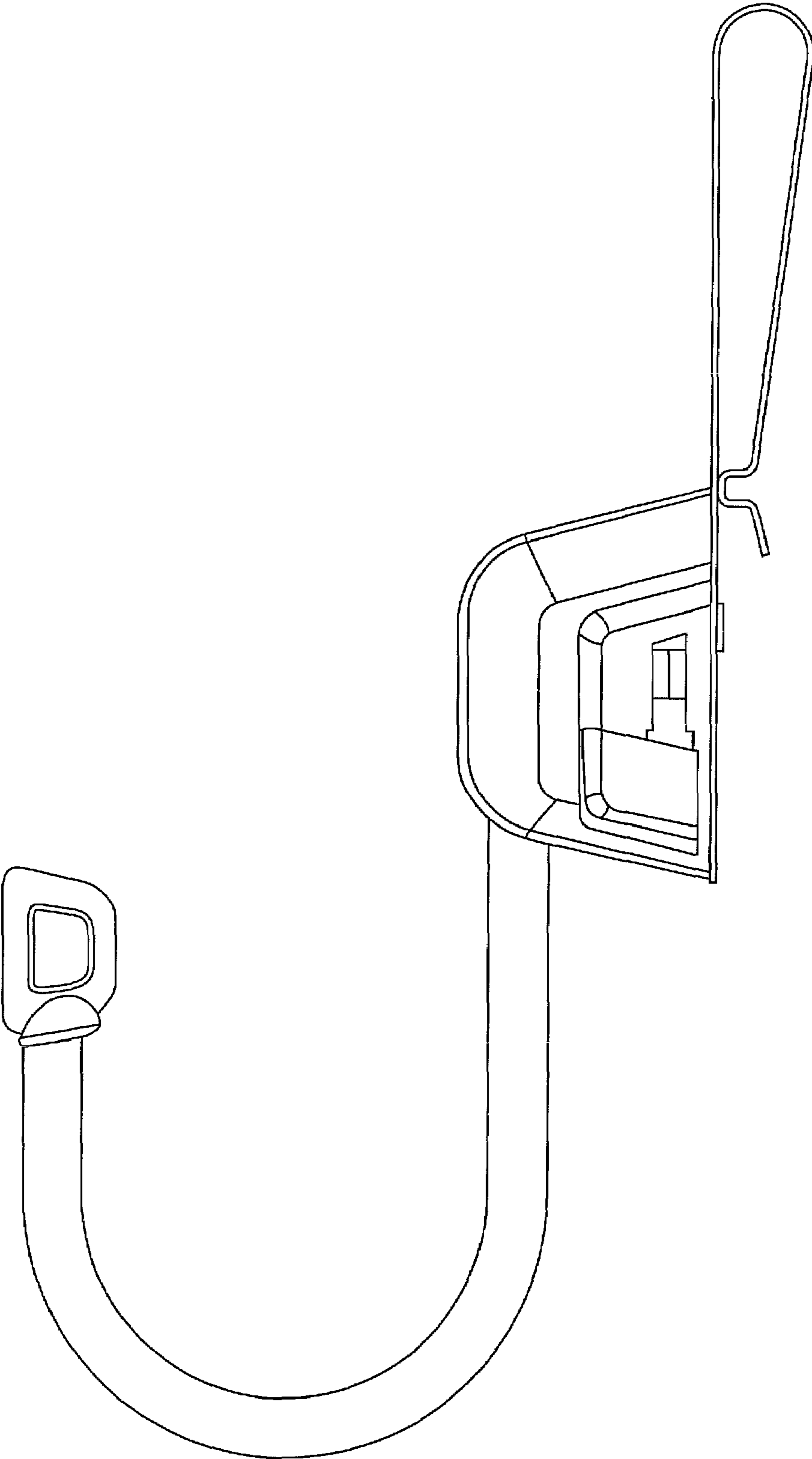


Fig. 3

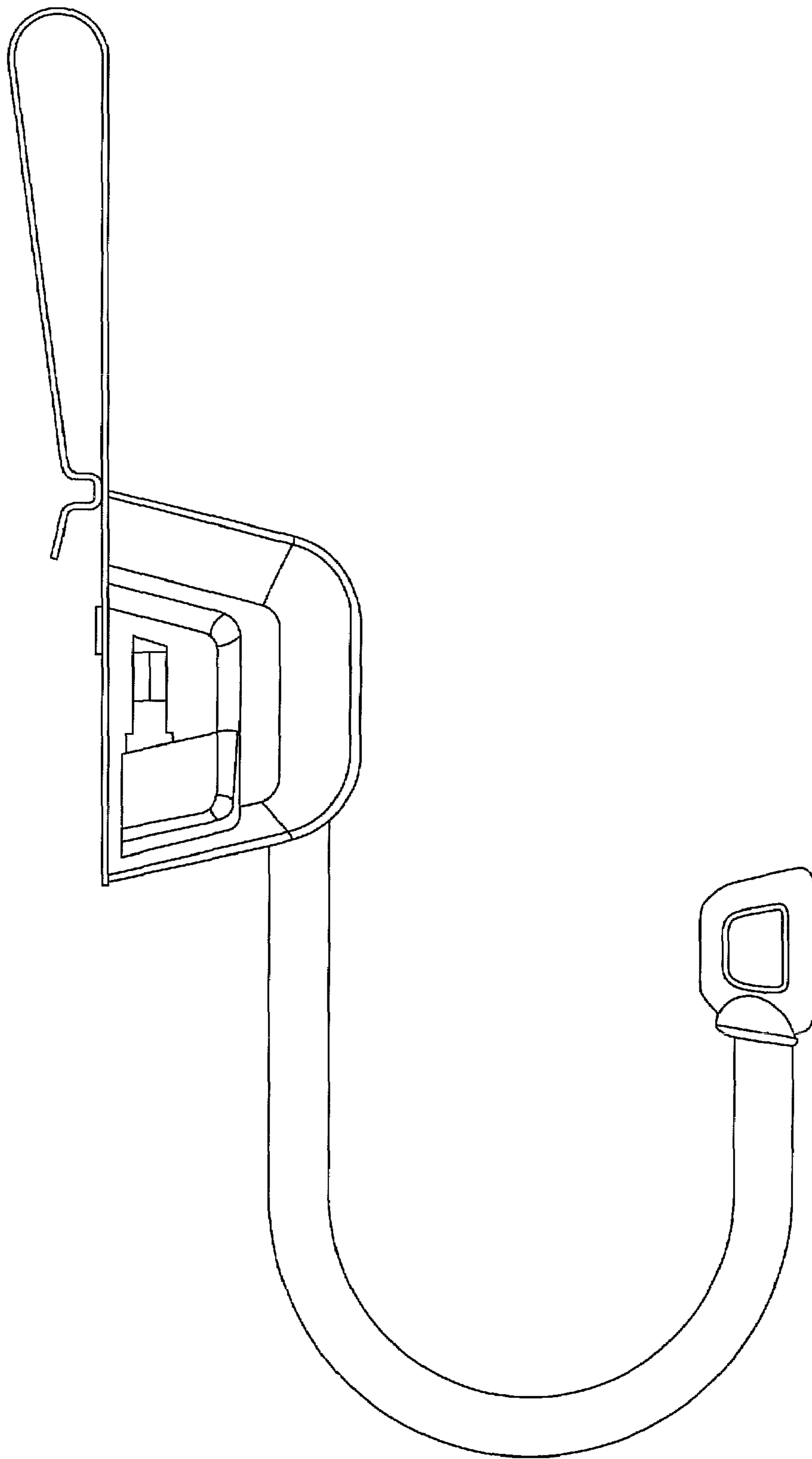


Fig. 4

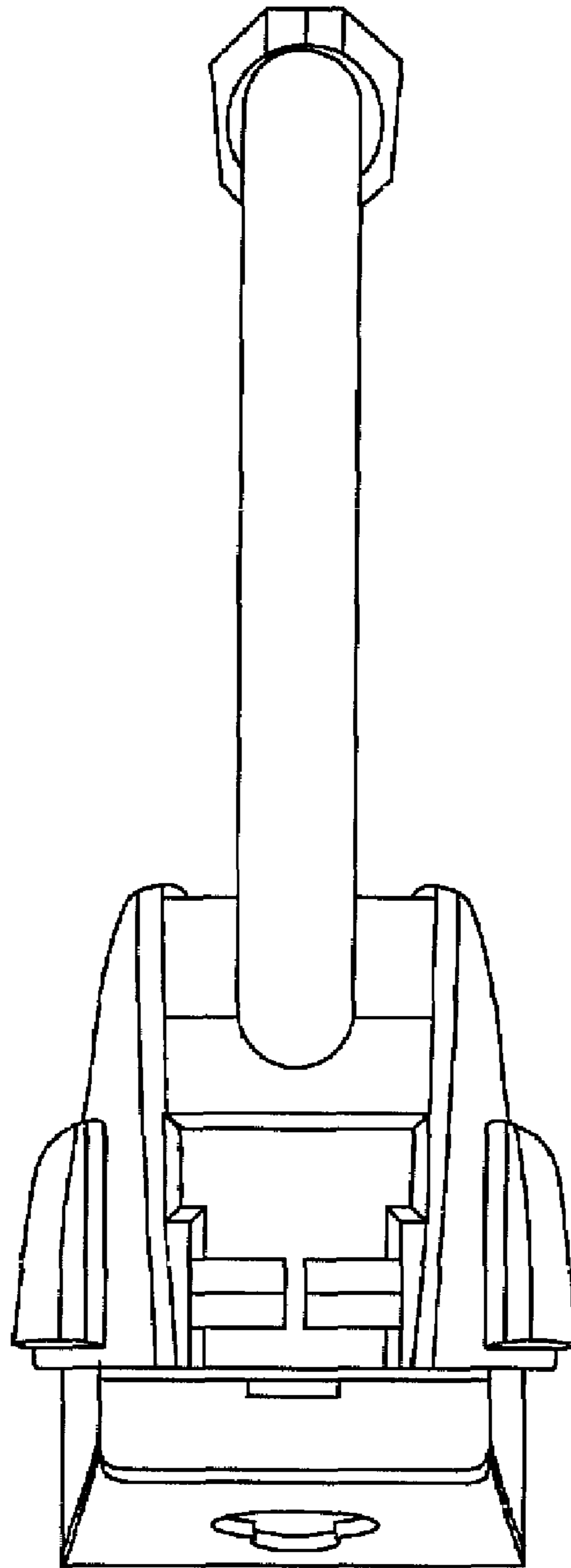


Fig. 5

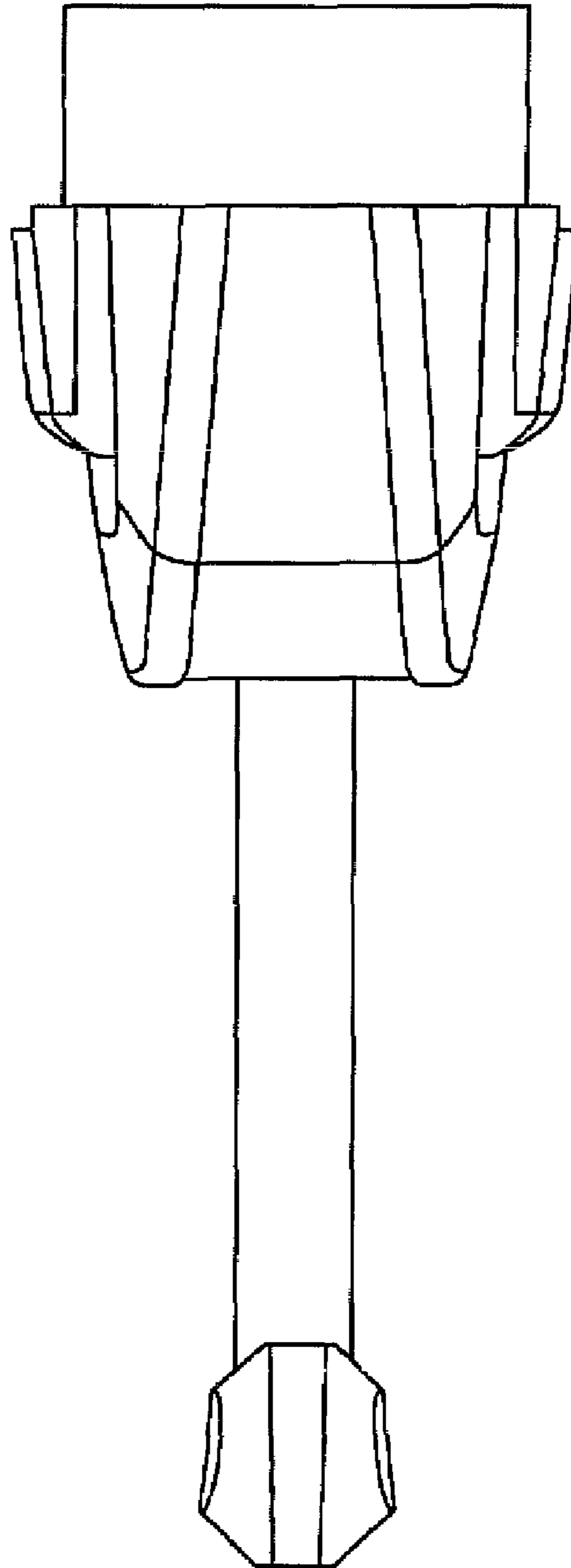


Fig. 6

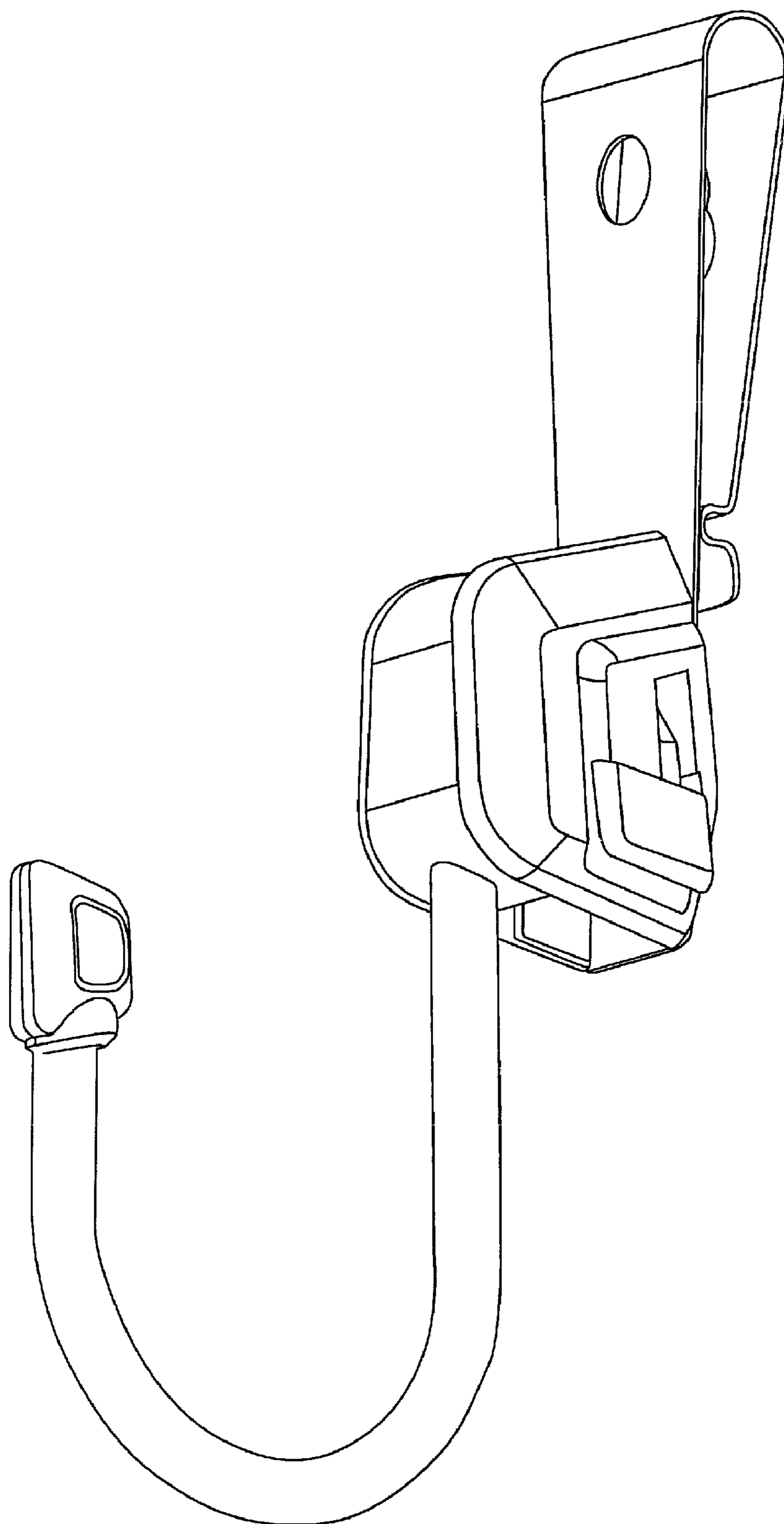


Fig. 7

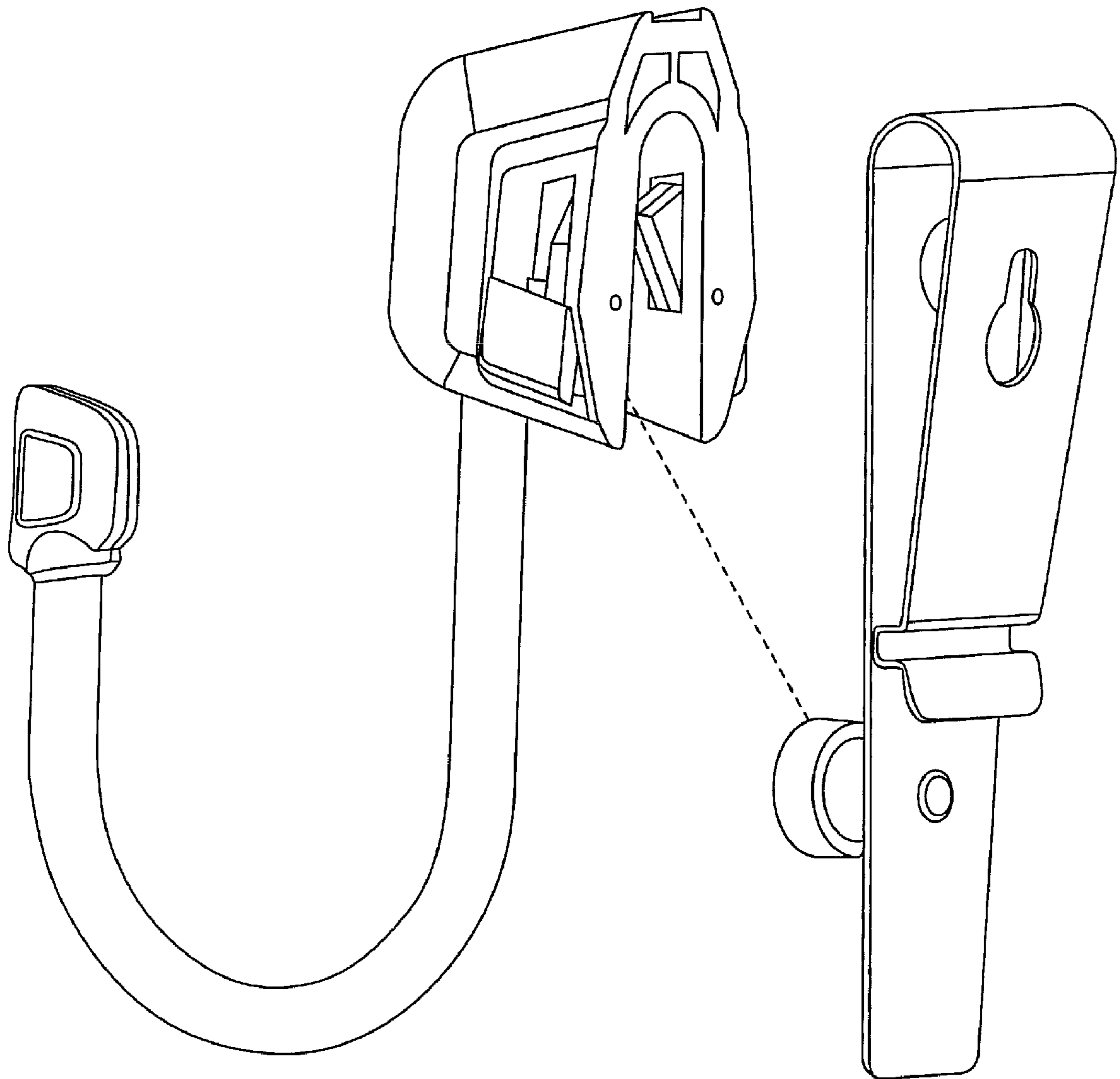


Fig. 8