



US00D608085S

(12) **United States Design Patent**
Simpson-Gardner

(10) **Patent No.:** **US D608,085 S**

(45) **Date of Patent:** **** *Jan. 19, 2010**

(54) **CASE**

(76) **Inventor:** **Sonjia Simpson-Gardner**, 29440 N. Meadowbrook, Farmington Hills, MI (US) 48331

(*) **Notice:** This patent is subject to a terminal disclaimer.

(**) **Term:** **14 Years**

(21) **Appl. No.:** **29/312,604**

(22) **Filed:** **Nov. 3, 2008**

(51) **LOC (9) Cl.** **03-01**

(52) **U.S. Cl.** **D3/226**

(58) **Field of Classification Search** D3/226, D3/215, 224, 201, 205, 221, 232–248, 219; 224/236, 240–241, 245, 626, 663, 679, 680–681; 150/131–147, 110–113

See application file for complete search history.

(56) **References Cited**

U.S. PATENT DOCUMENTS

D89,746 S	5/1933	Doughty	
2,027,262 A	1/1936	Allen	
2,566,569 A *	9/1951	Jensen	224/245
2,625,292 A	1/1953	Spender	
2,707,721 A	5/1955	Anderson et al.	
2,813,669 A *	11/1957	Frieder et al.	224/626
3,741,815 A	6/1973	Peterson	
D351,503 S	10/1994	Bach	
D405,267 S *	2/1999	Cowan	D3/243
D429,562 S *	8/2000	Lau	D3/226
D519,276 S *	4/2006	Jameson	D3/226
D525,024 S *	7/2006	Fridie et al.	D3/201
D537,034 S	2/2007	Kang et al.	

(Continued)

Primary Examiner—Catherine R Oliver

(74) *Attorney, Agent, or Firm*—John G. Chopa

(57) **CLAIM**

The ornamental design for a case, as shown and described.

DESCRIPTION

FIG. 1 is a front view of a first embodiment of a case showing my new design;

FIG. 2 is a rear view thereof;

FIG. 3 is a right side view thereof;

FIG. 4 is a left side view thereof;

FIG. 5 is a top view thereof;

FIG. 6 is a bottom view thereof;

FIG. 7 is a perspective view thereof in a selective open position;

FIG. 8 is a top view thereof in a selective open position;

FIG. 9 is a front view of a second embodiment of a case showing my new design;

FIG. 10 is a right side view of the case shown in FIG. 9;

FIG. 11 is a left side view of the case shown in FIG. 9;

FIG. 12 is a top view of the case shown in FIG. 9;

FIG. 13 is a bottom view of the case shown in FIG. 9;

FIG. 14 is a perspective view of the case shown in FIG. 9 and further shown in a selective closed position;

FIG. 15 is perspective view of the case shown in FIG. 9 and further shown in a selective open position;

FIG. 16 is a top view of the case shown in FIG. 9 and further shown in a selective open position;

FIG. 17 is a front view of a third embodiment of a case showing my new design;

FIG. 18 is a rear view of the case shown in FIG. 17;

FIG. 19 is a right side view of the case shown in FIG. 17;

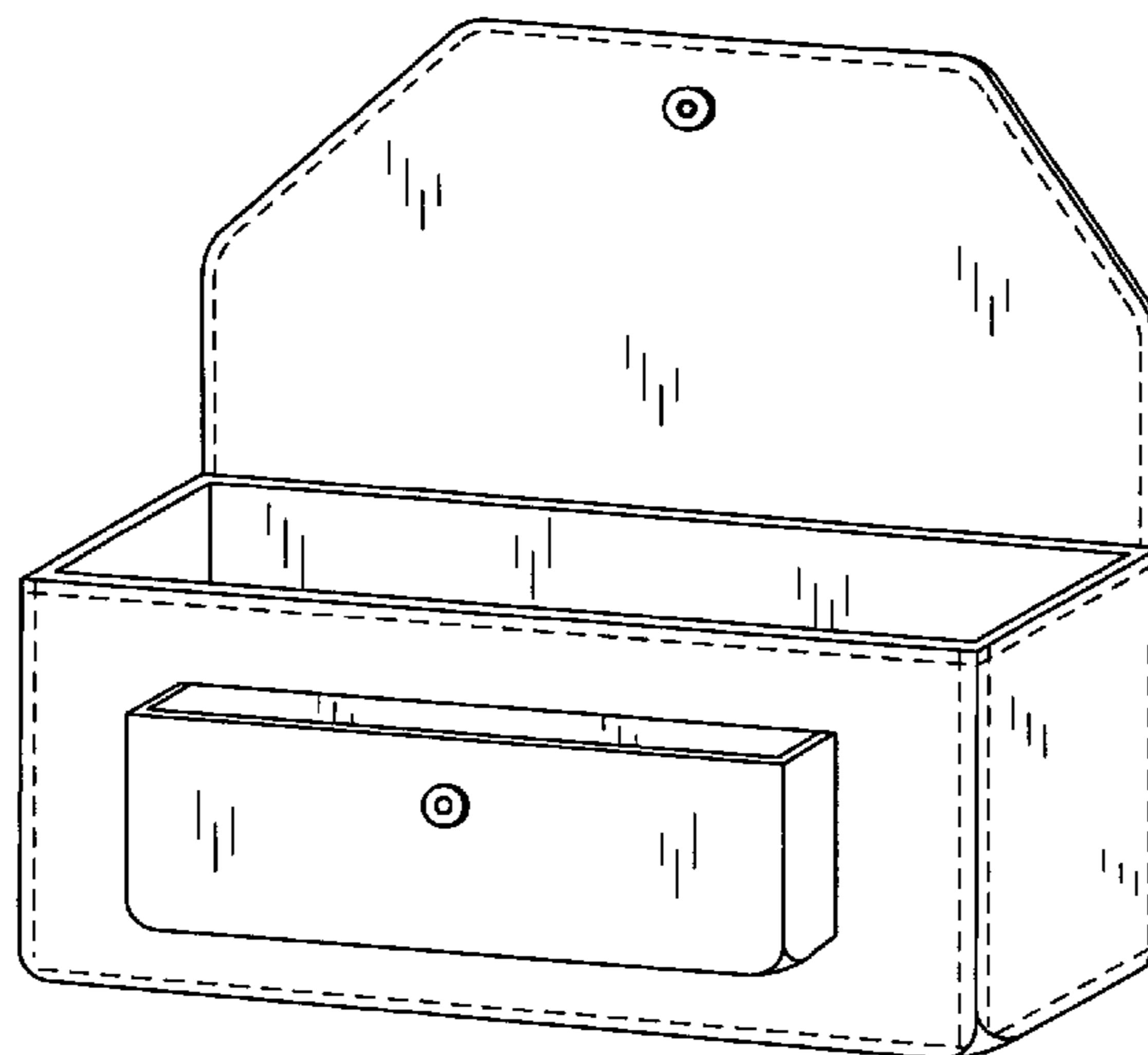
FIG. 20 is a left side view of the case shown in FIG. 17;

FIG. 21 is a top view of the case shown in FIG. 17; and,

FIG. 22 is a bottom view of the case shown in FIG. 17.

FIGS. 17–22 are shown lined for color.

1 Claim, 9 Drawing Sheets



US D608,085 S

Page 2

U.S. PATENT DOCUMENTS

D543,696 S *	6/2007	Dodier	D3/226	2005/0042502 A1	2/2005	Becker
D550,451 S *	9/2007	Burlington	D3/226	2008/0217209 A1	9/2008	Shimoyama
2004/0214052 A1	10/2004	Rochelo				

* cited by examiner

Fig. 1

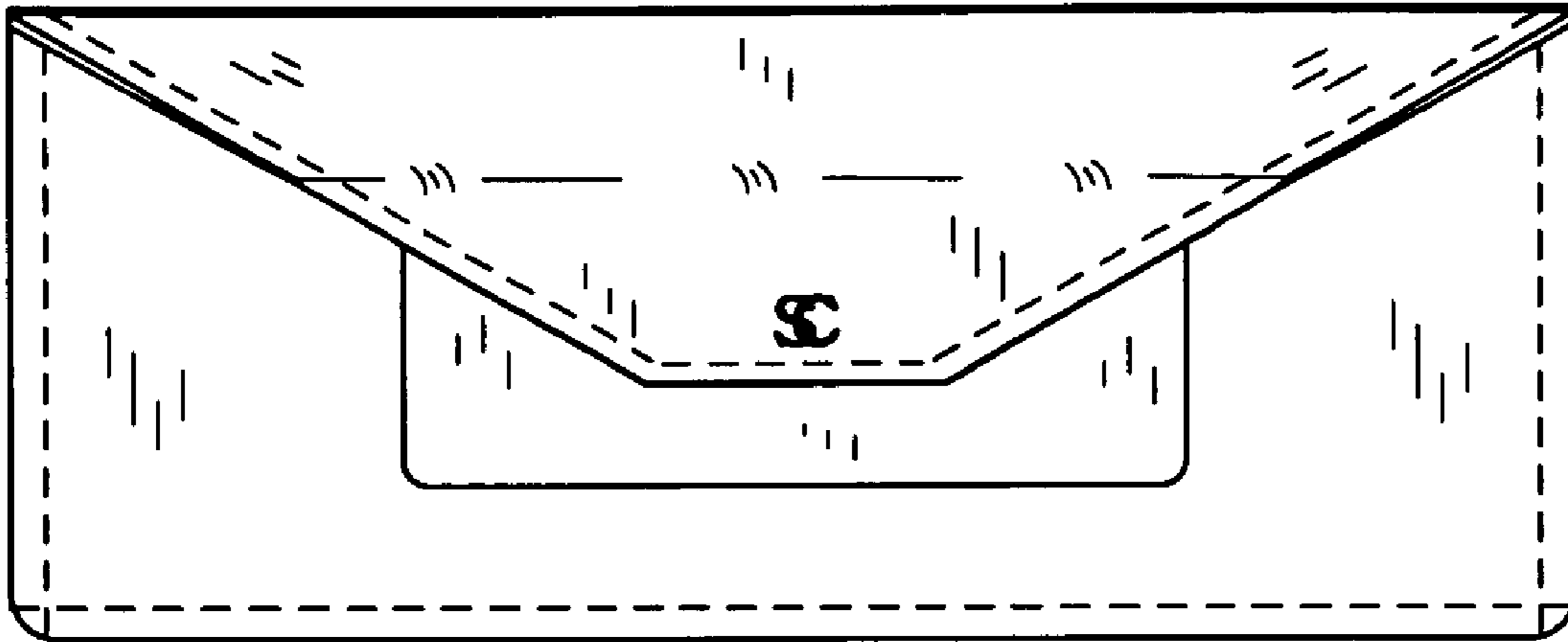


Fig. 2

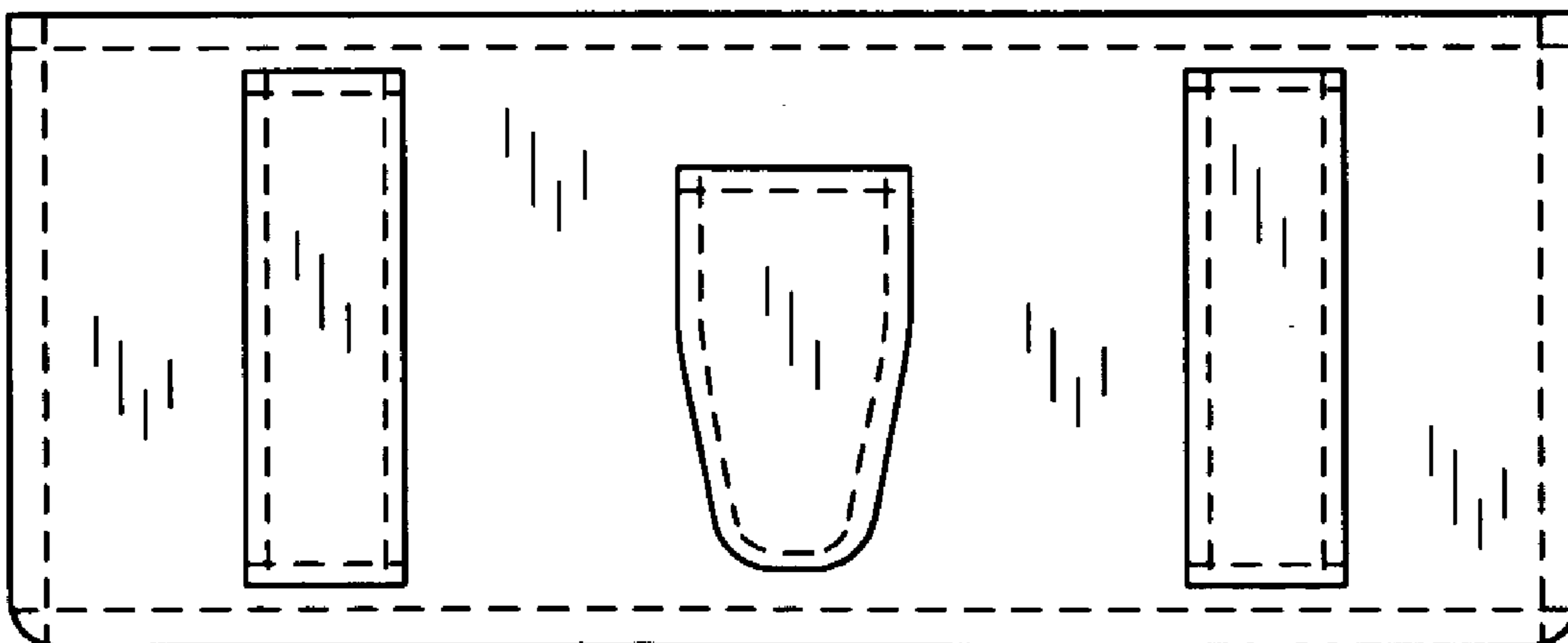


Fig. 3

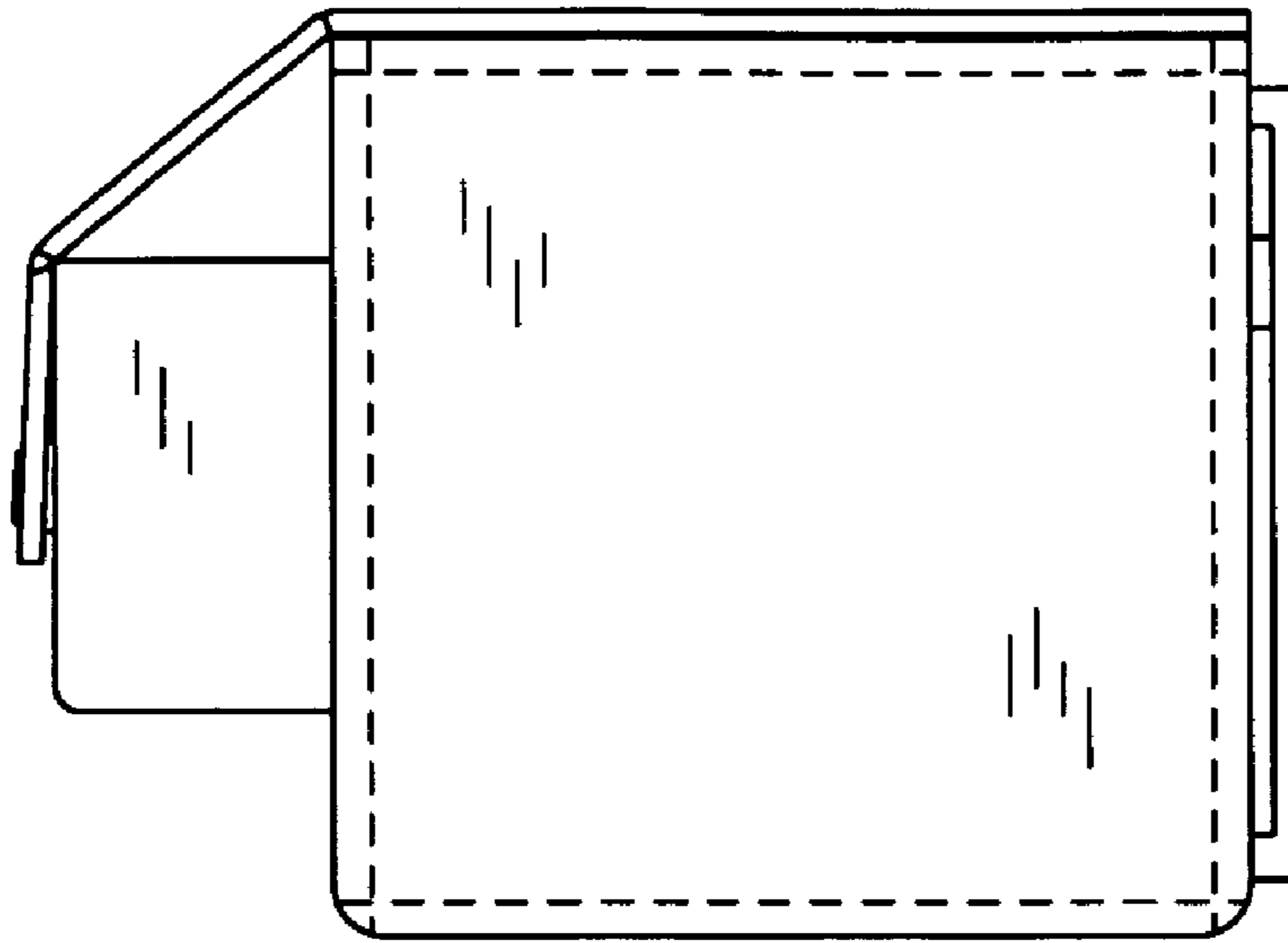


Fig. 4

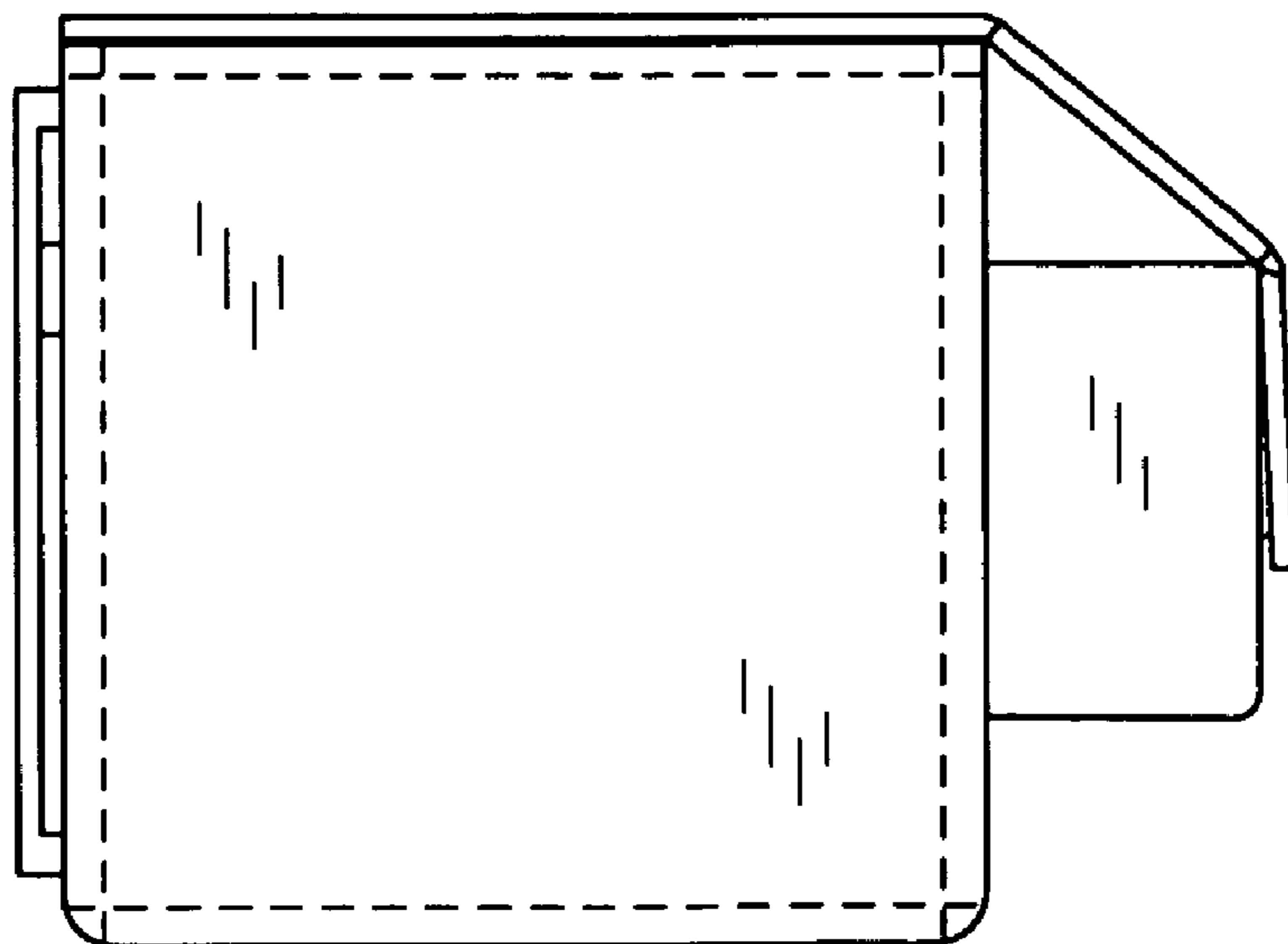


Fig. 5



Fig. 6

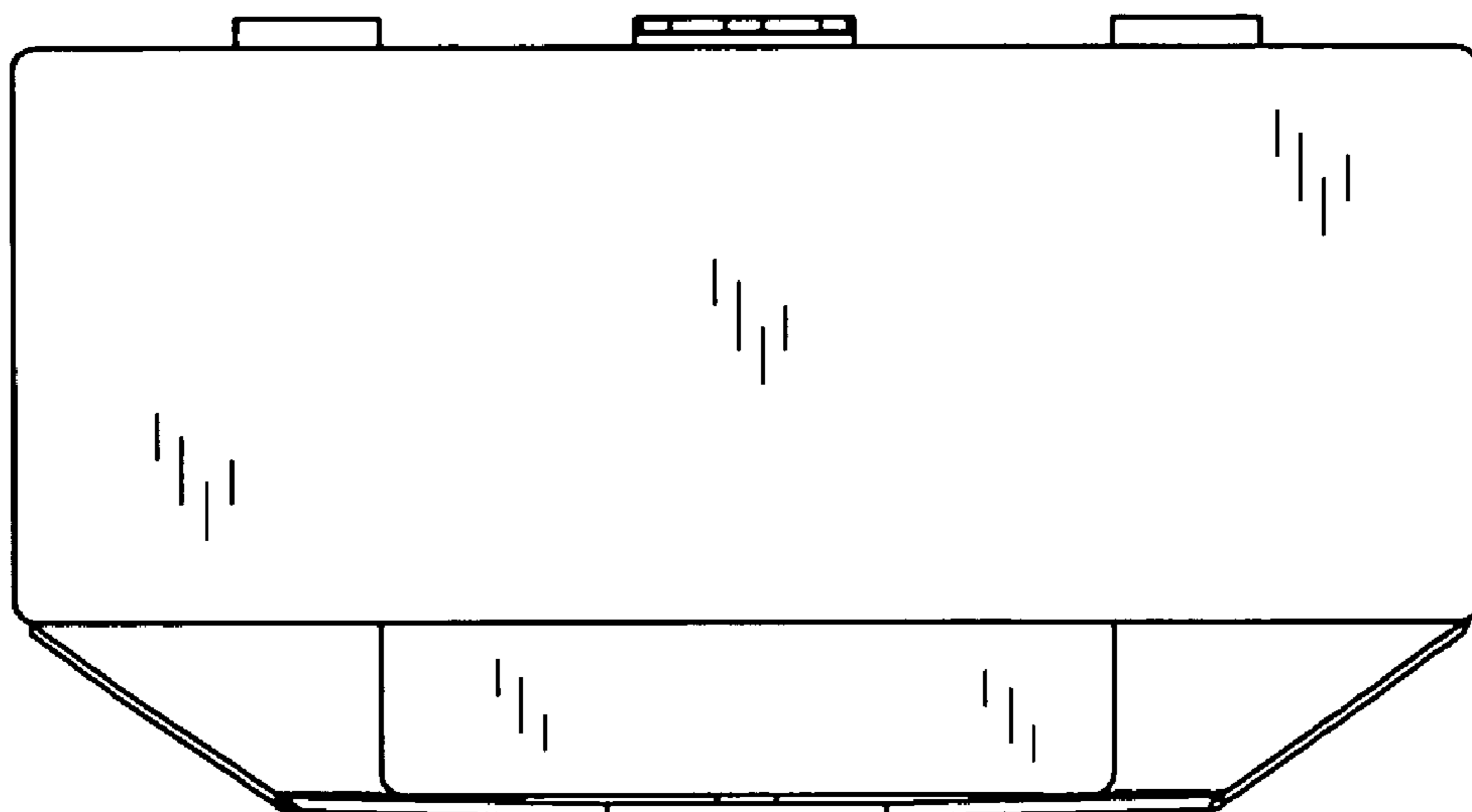


Fig. 7

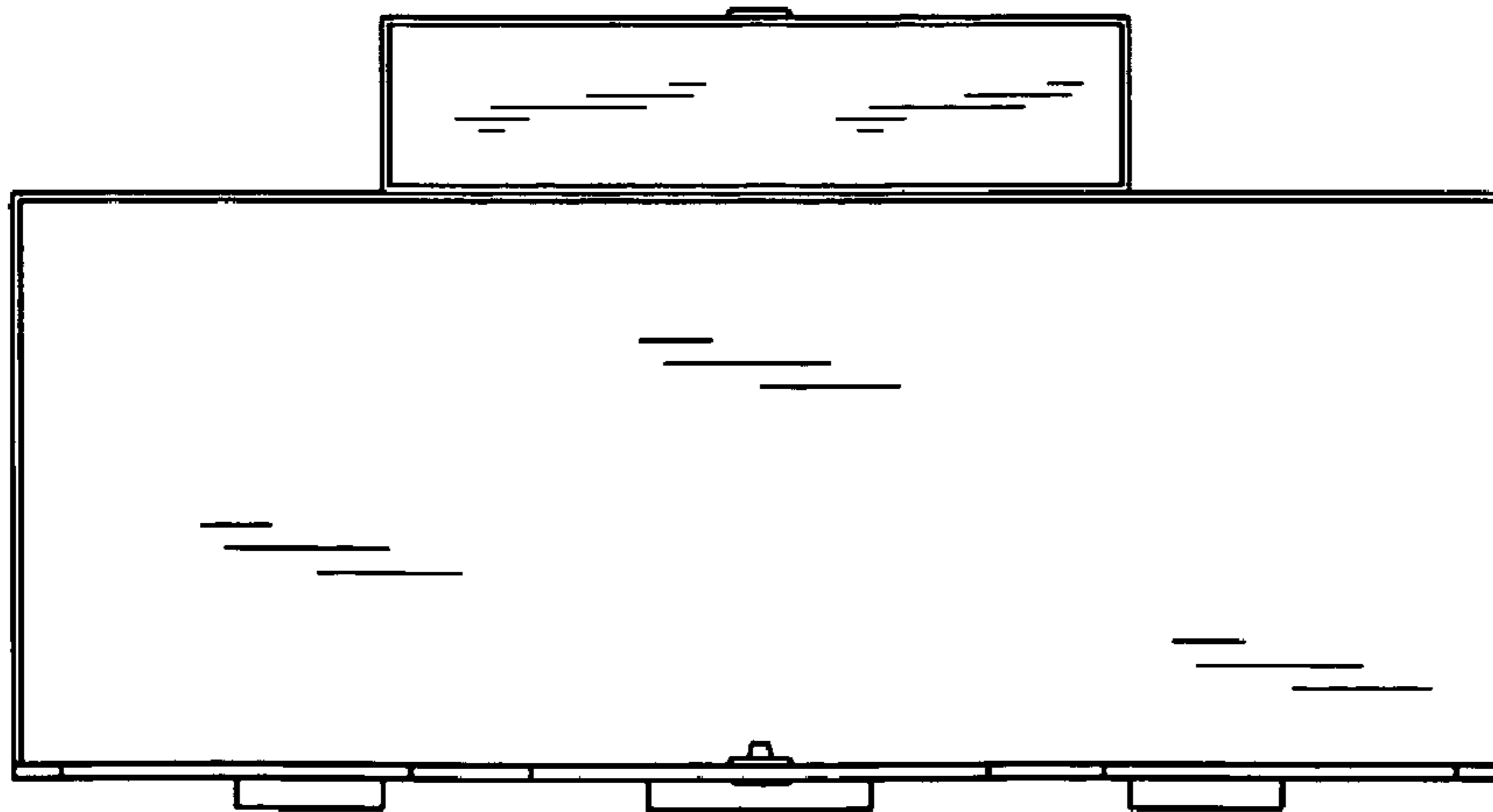
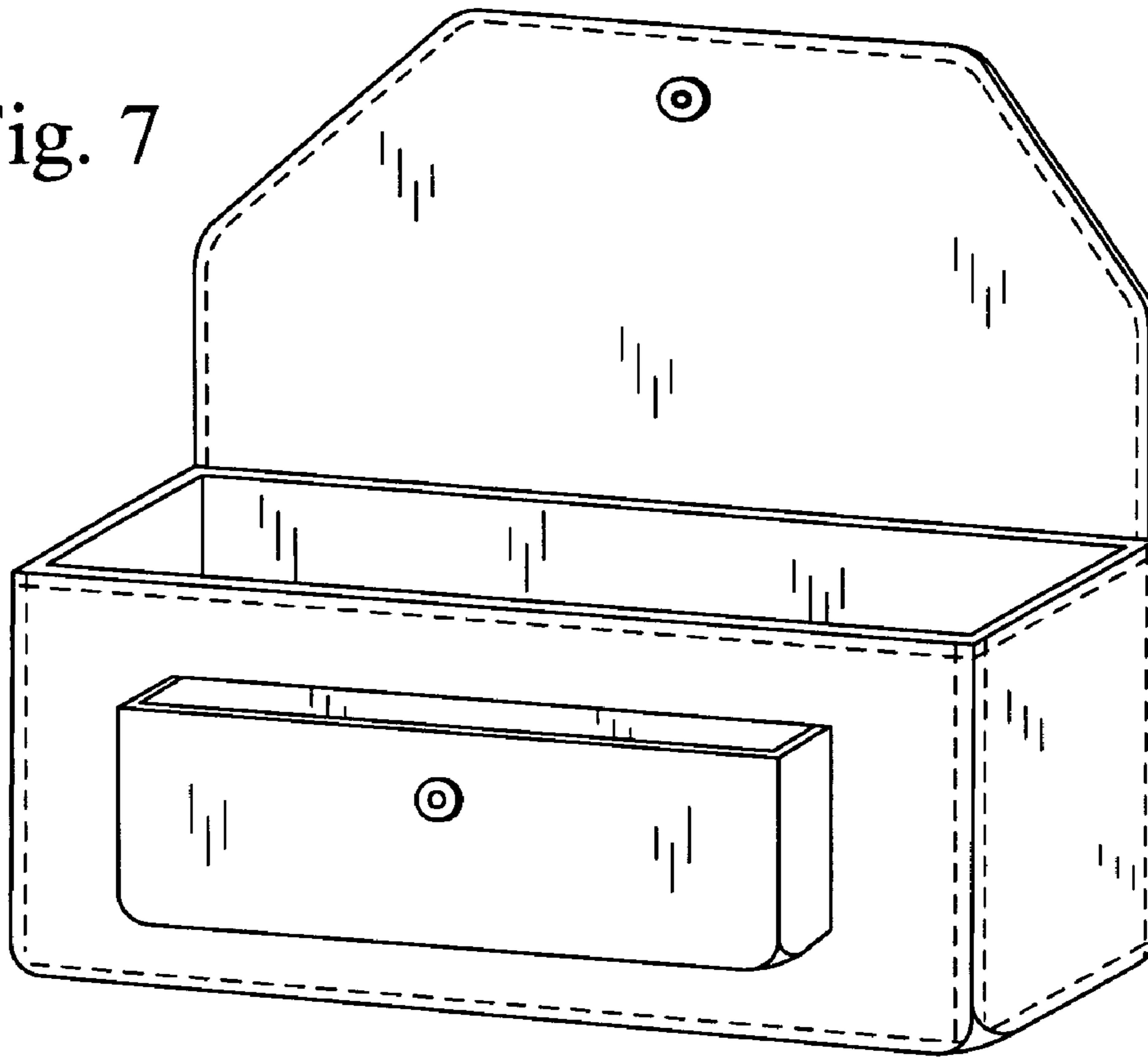


Fig. 8

Fig. 9

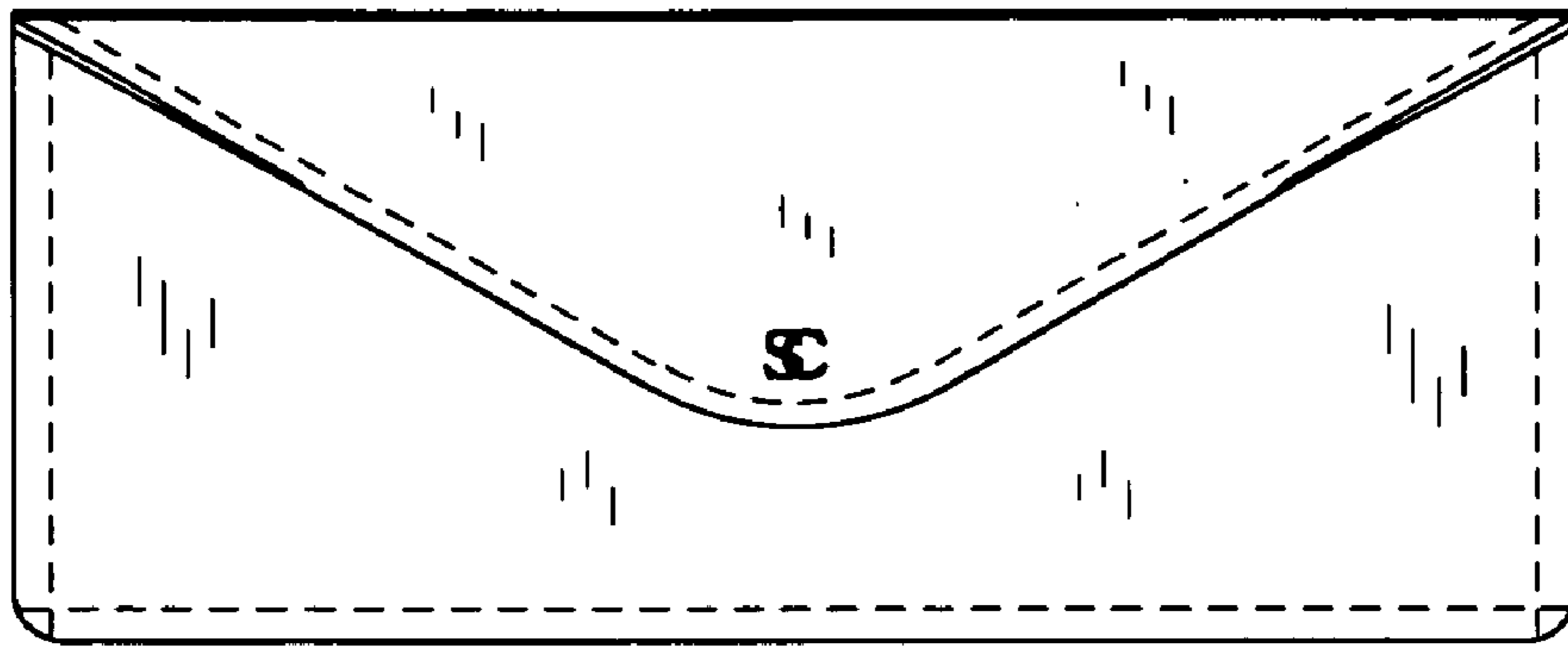


Fig. 10

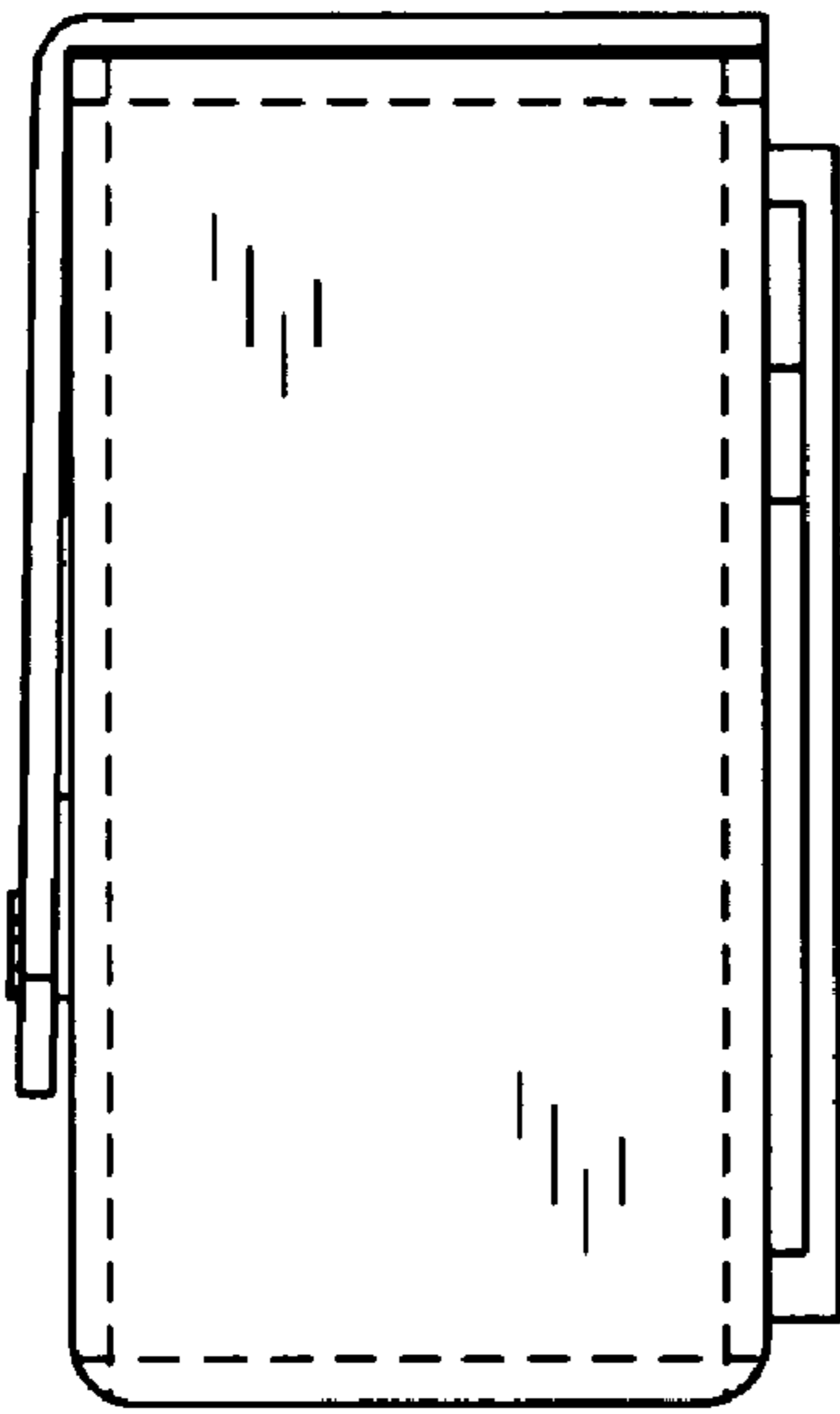


Fig. 11

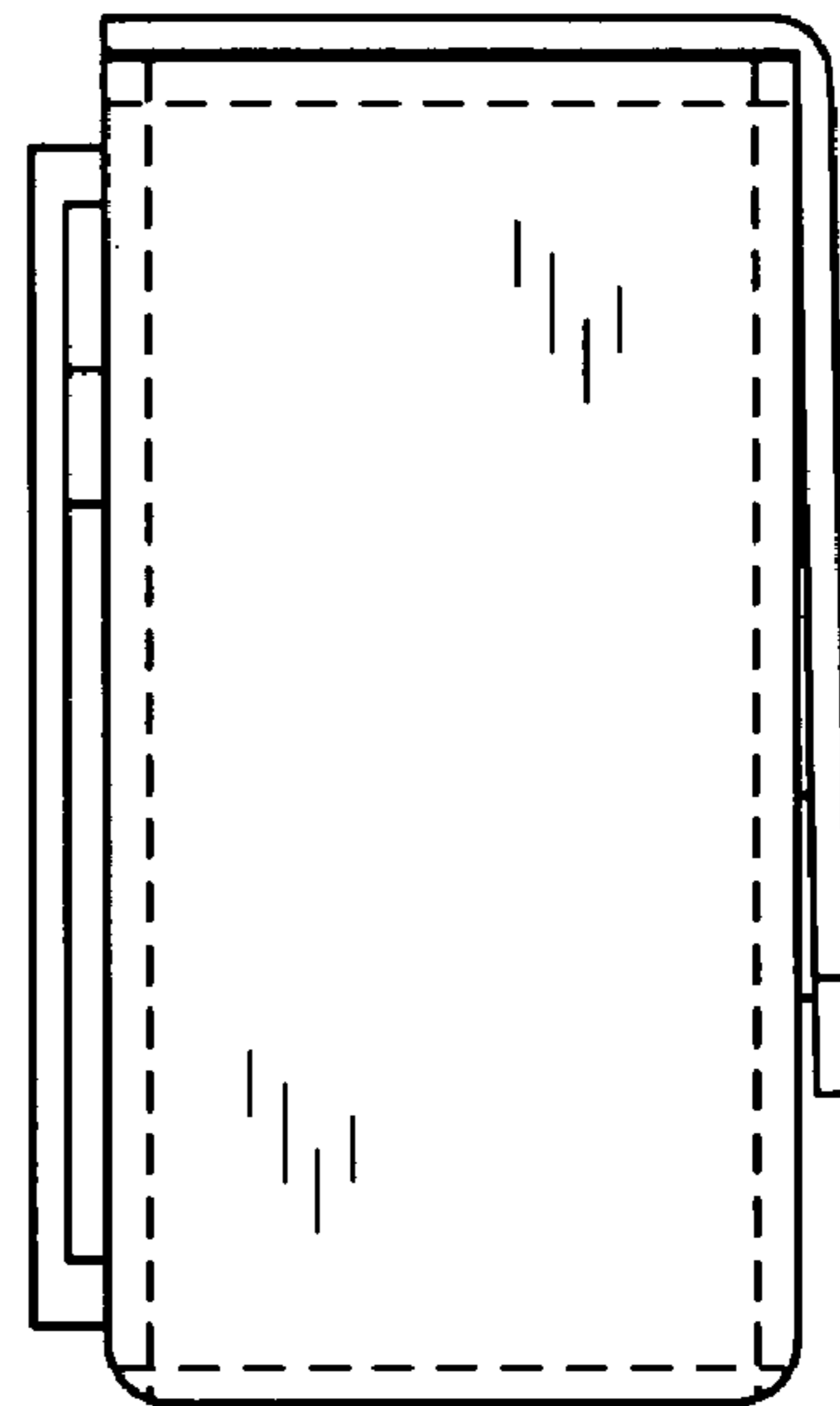


Fig. 12

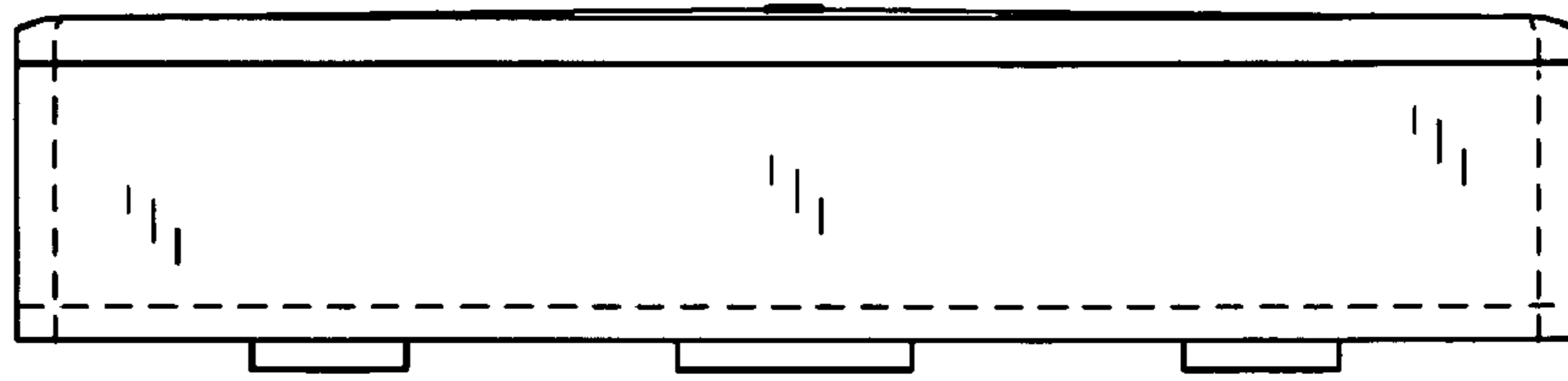


Fig. 13

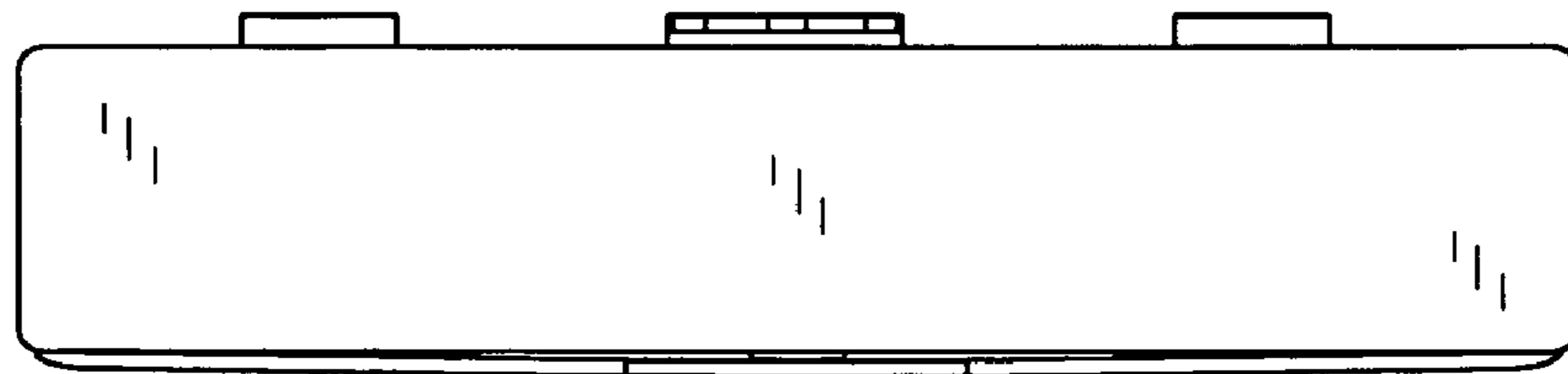


Fig. 14

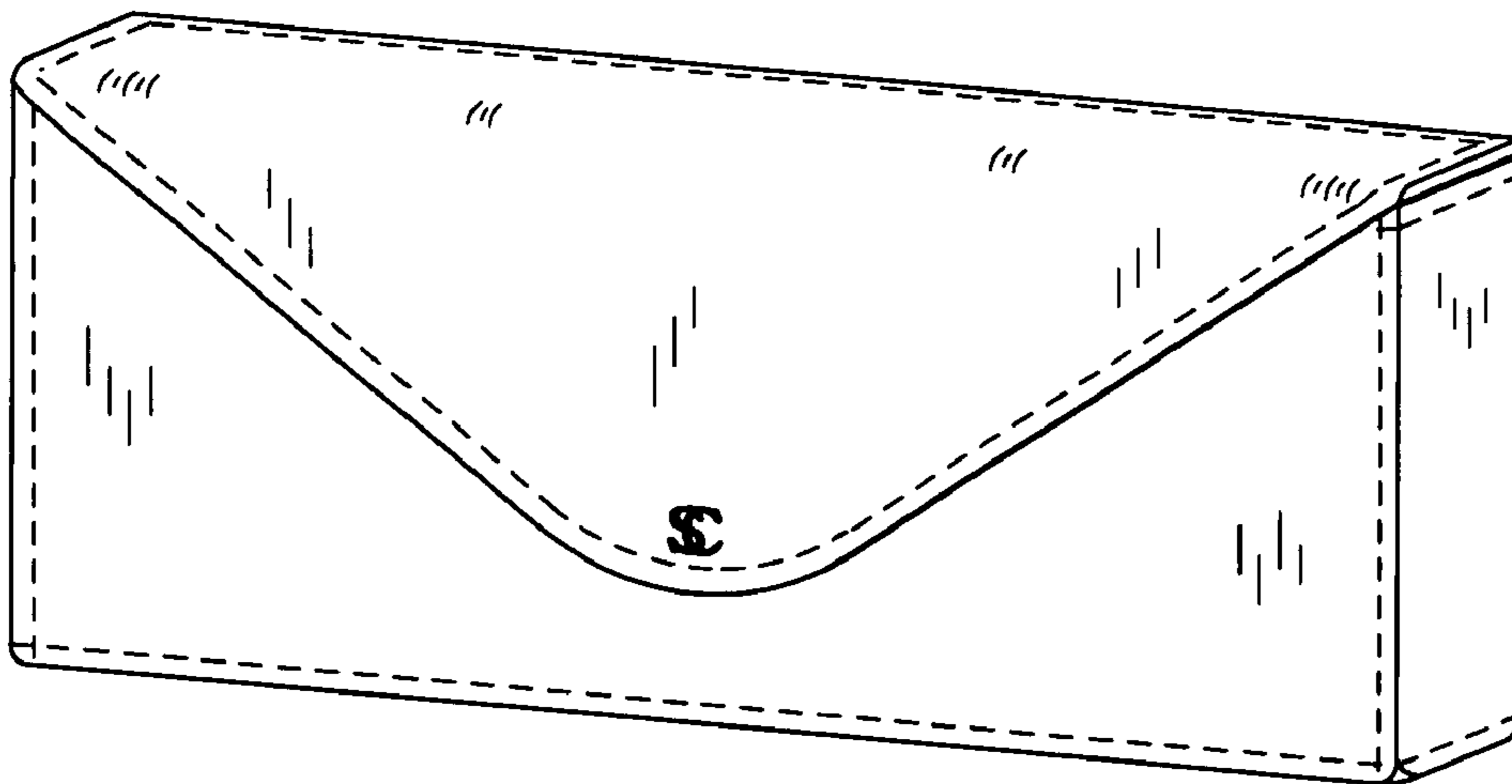


Fig. 15

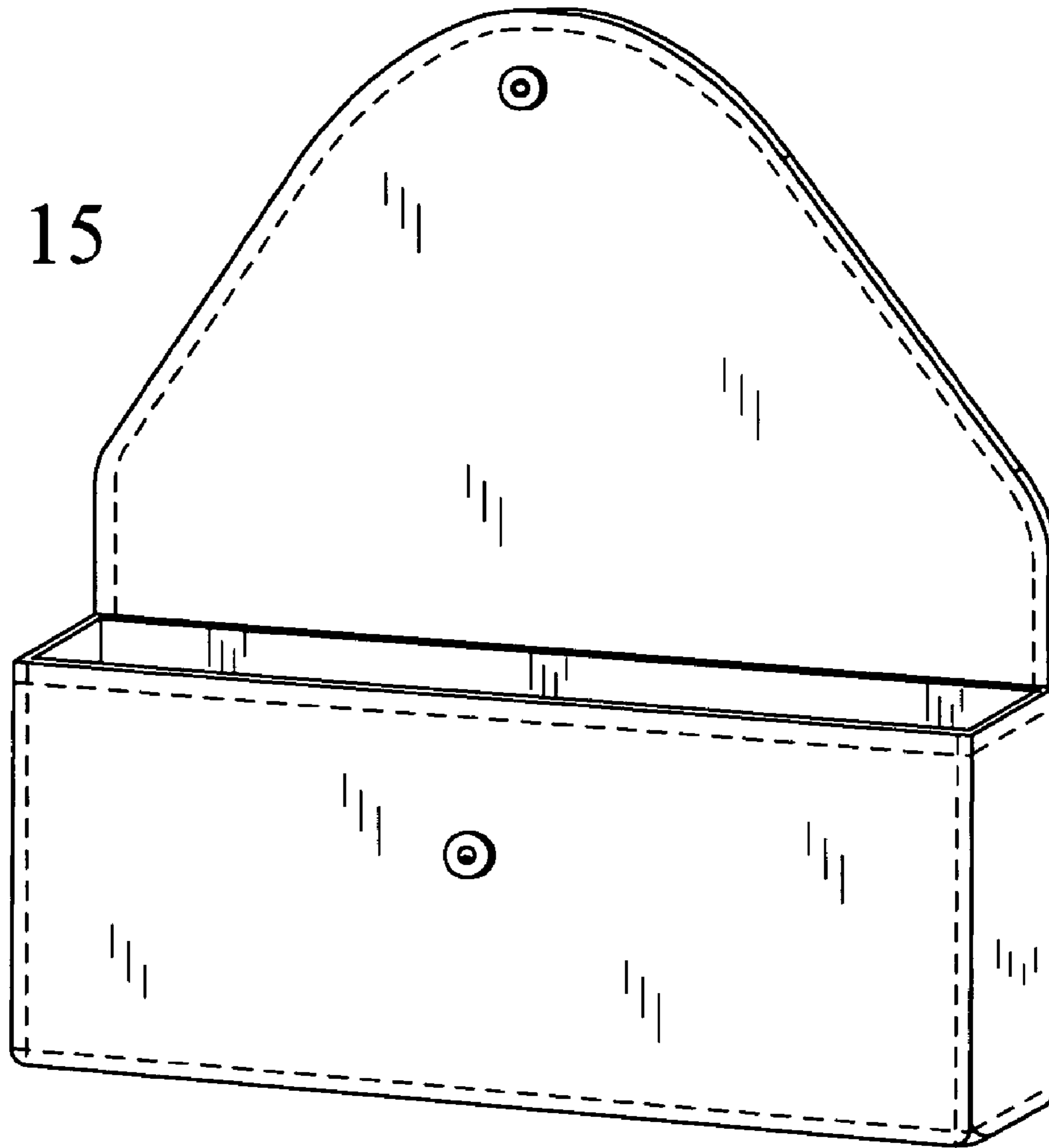
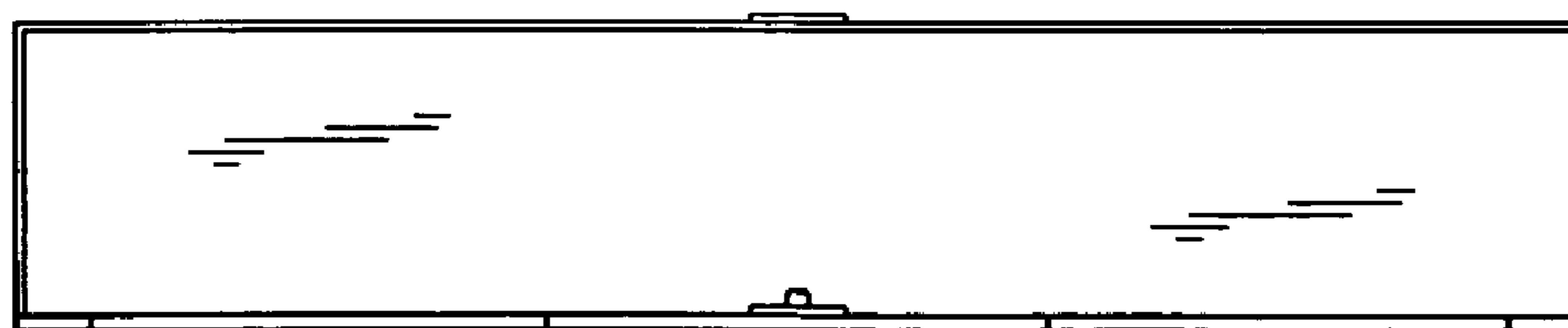


Fig. 16



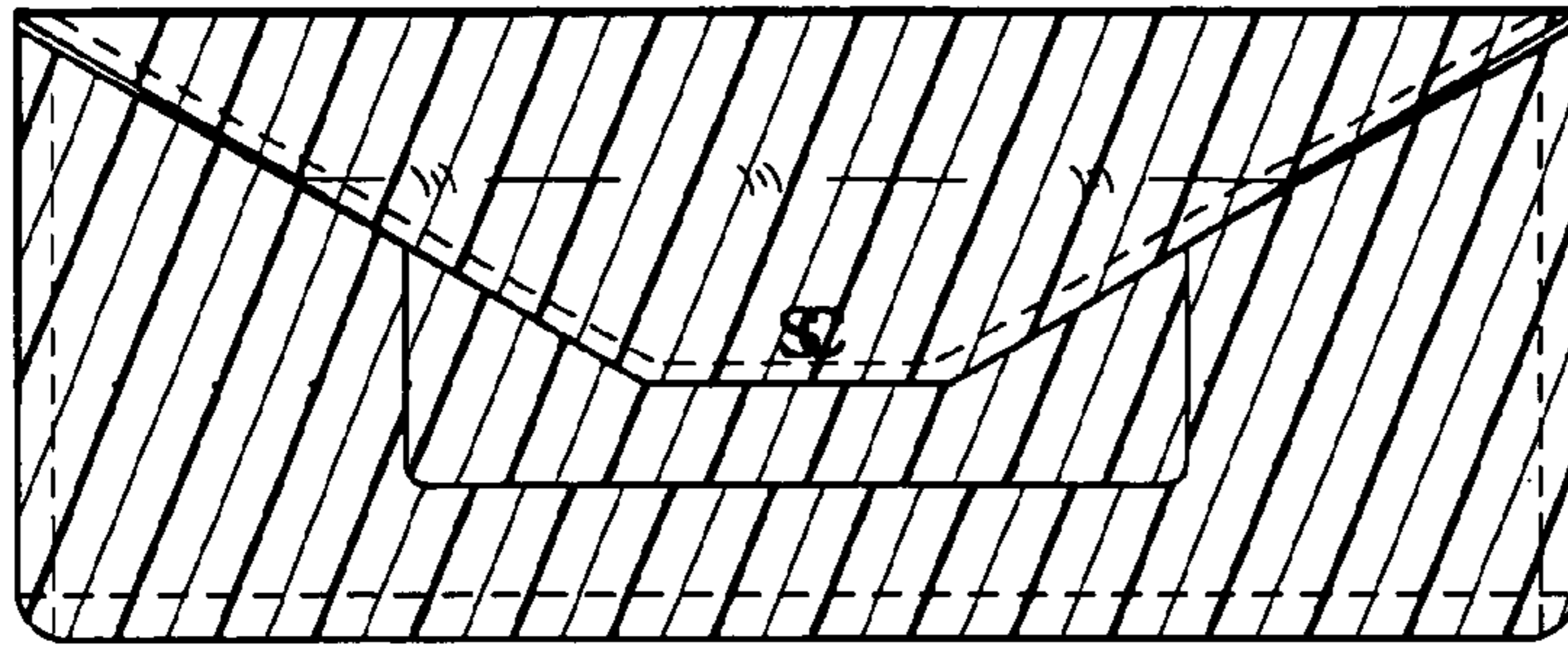


Fig. 17

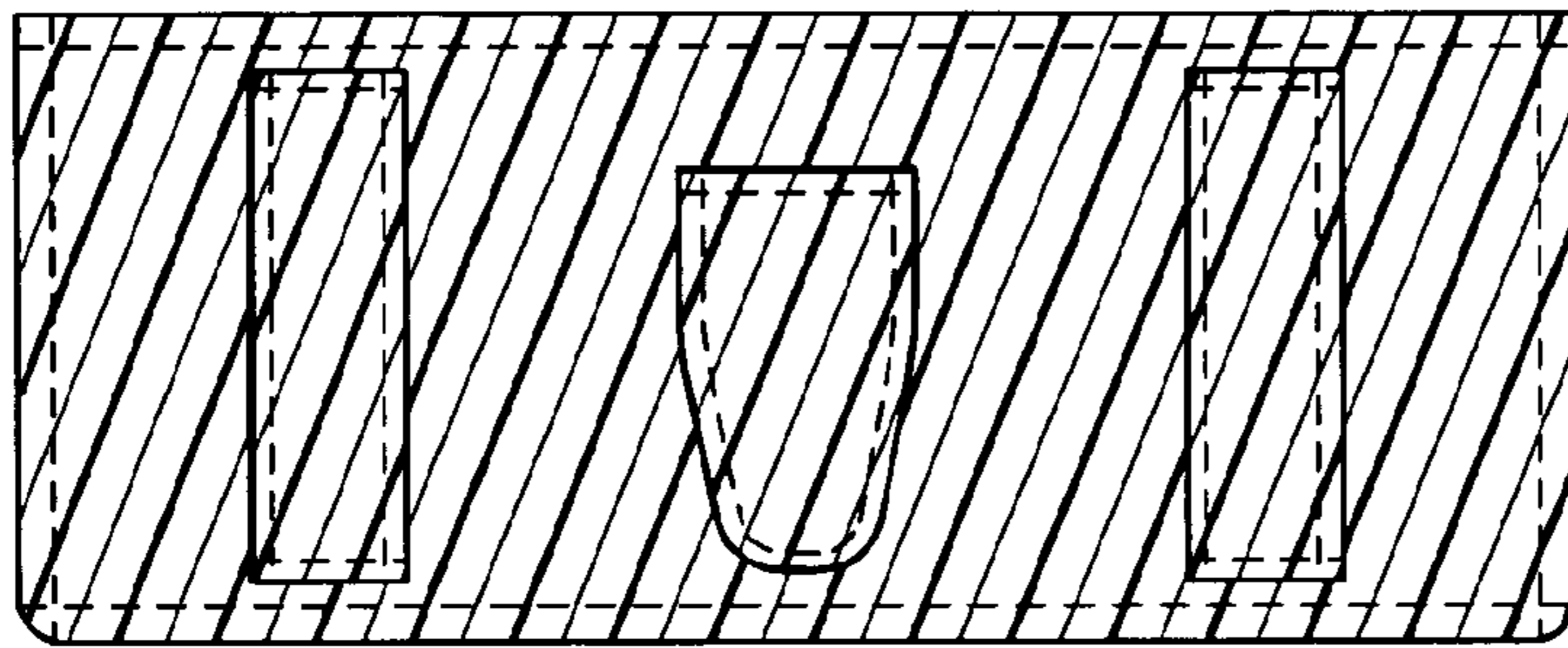


Fig. 18

Fig. 19

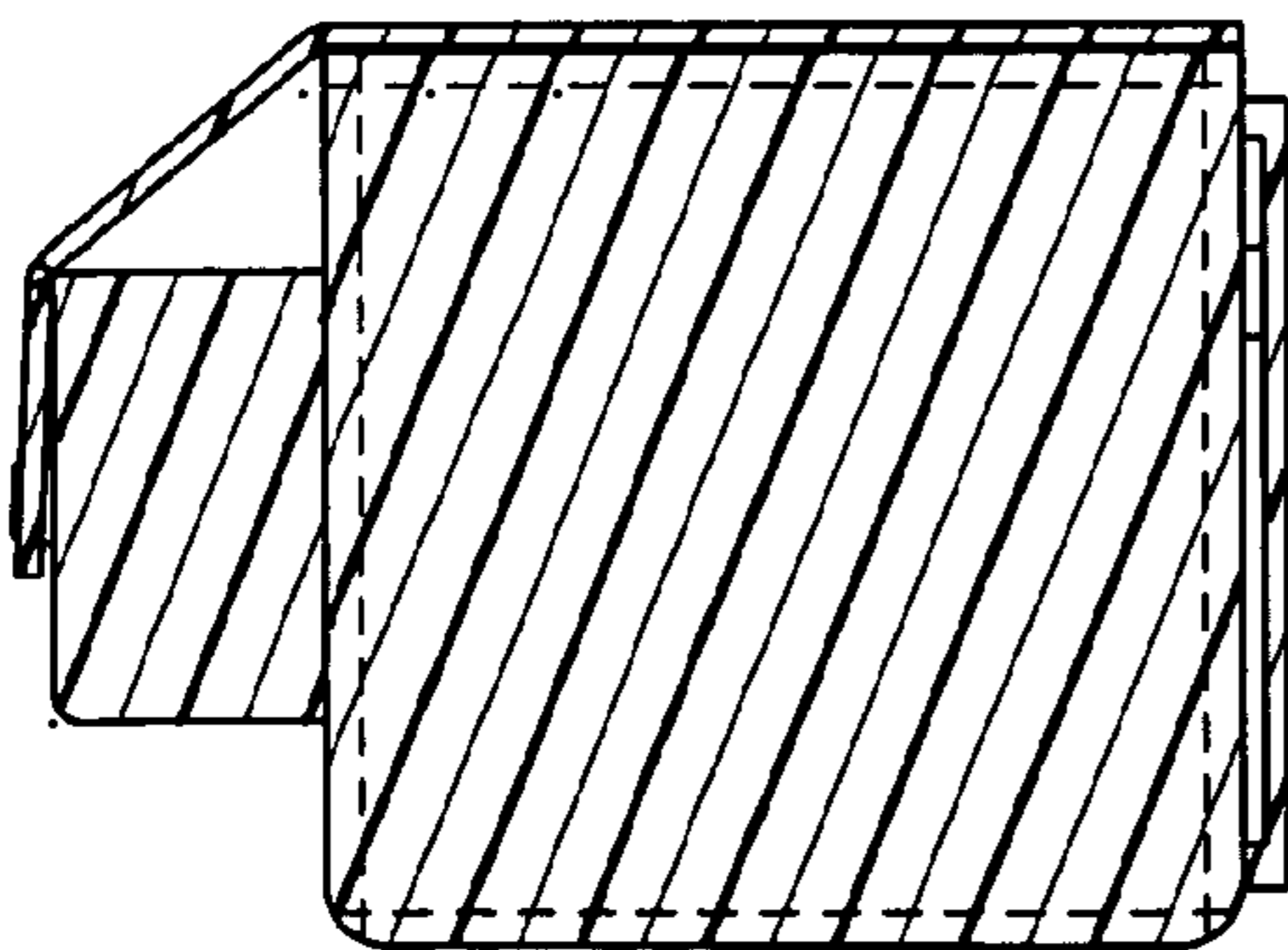


Fig. 20

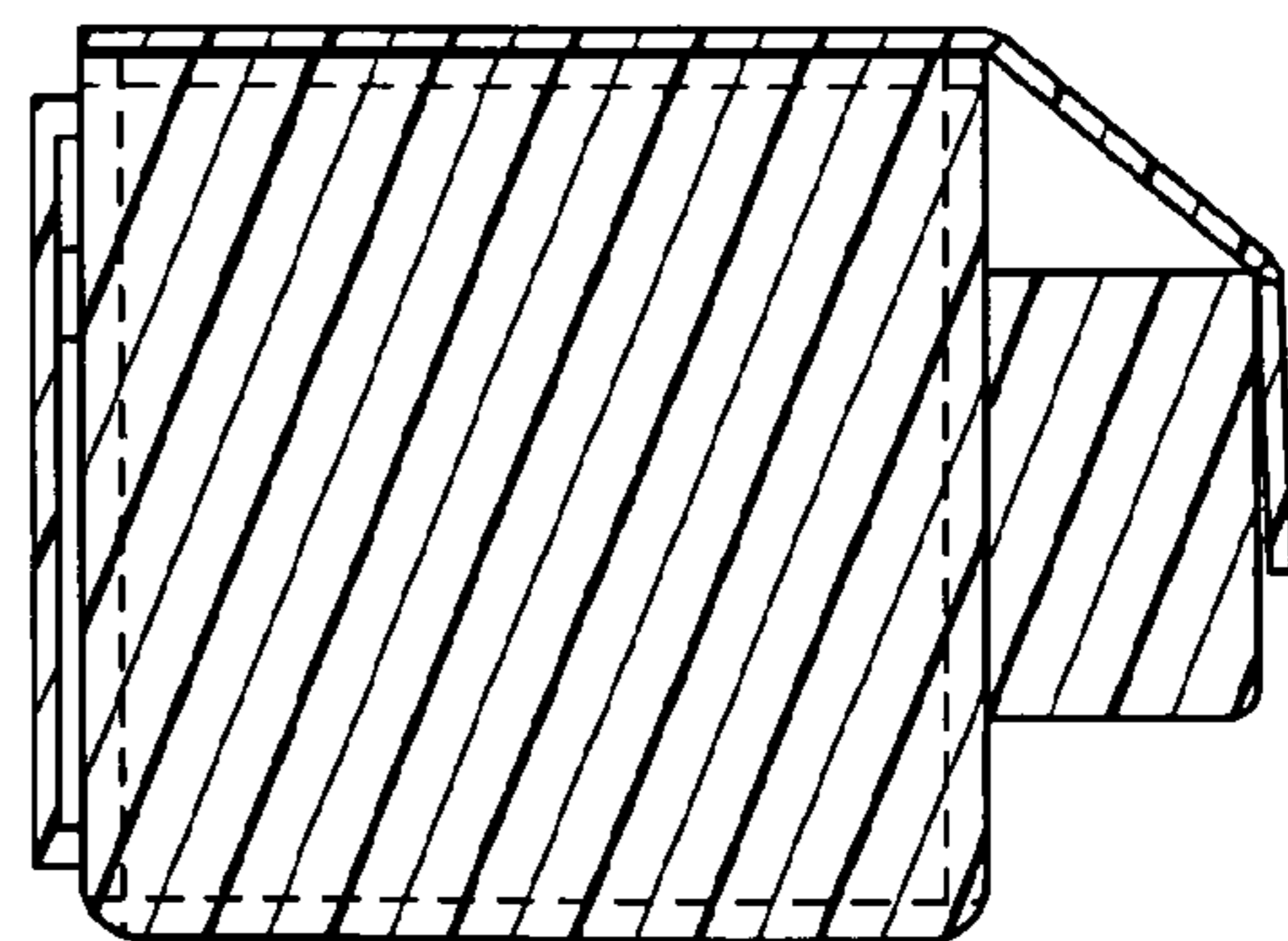


Fig. 21

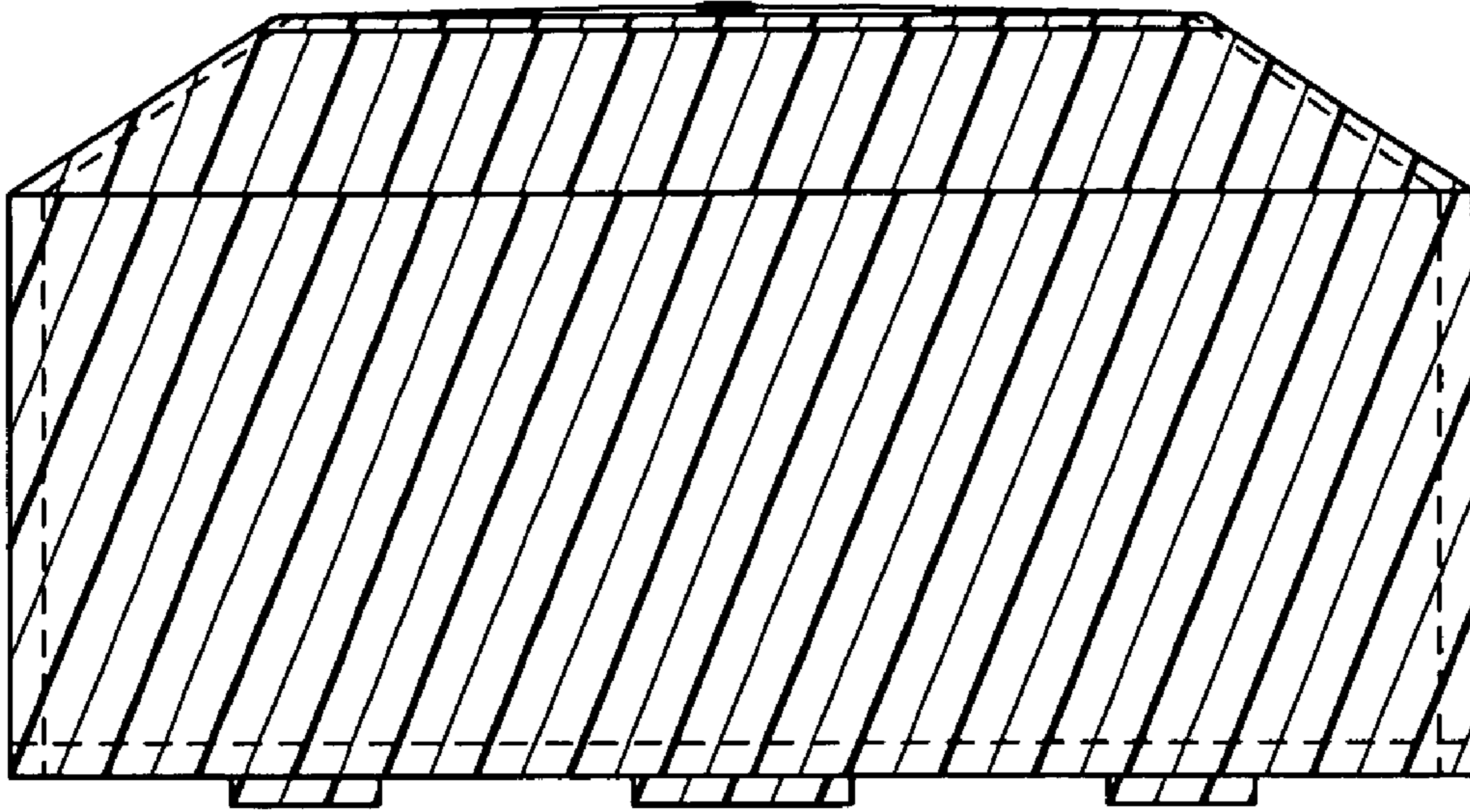


Fig. 22

