



US00D608084S

(12) **United States Design Patent**
Anson et al.

(10) **Patent No.:** **US D608,084 S**
(45) **Date of Patent:** **** Jan. 19, 2010**

(54) **TABLET HOLDER COMPARTMENT**

D600,441 S * 9/2009 Estrada D3/203.3

(75) Inventors: **Ricky L. Anson**, Boise, ID (US); **Shane Jimenez**, Boise, ID (US); **Rebecca L. Anson**, Boise, ID (US)

* cited by examiner

Primary Examiner—Catherine R Oliver
(74) *Attorney, Agent, or Firm*—Davis Wright Tremaine, LLP; George C. Rondeau, Jr.

(73) Assignee: **Nutra-Life, Inc.**, Boise, ID (US)

(**) Term: **14 Years**

(57) **CLAIM**

(21) Appl. No.: **29/335,775**

The ornamental design for a tablet holder compartment, as shown and described.

(22) Filed: **Apr. 21, 2009**

DESCRIPTION

(51) **LOC (9) Cl.** **03-01**

FIG. 1 is a top front perspective view of a tablet holder compartment showing our new design.

(52) **U.S. Cl.** **D3/203.3**

FIG. 2 is a top and front perspective view thereof, with a portion of the environment removed;

(58) **Field of Classification Search** D3/203.1–203.3, D3/201, 205; D9/544, 560, 516, 521, 542–546, D9/549, 556–575; 206/530–540, 581
See application file for complete search history.

FIG. 3 is an additional top perspective view thereof;

FIG. 4 is a front elevational view thereof, the rear, left side and right side elevational views being identical.

(56) **References Cited**

U.S. PATENT DOCUMENTS

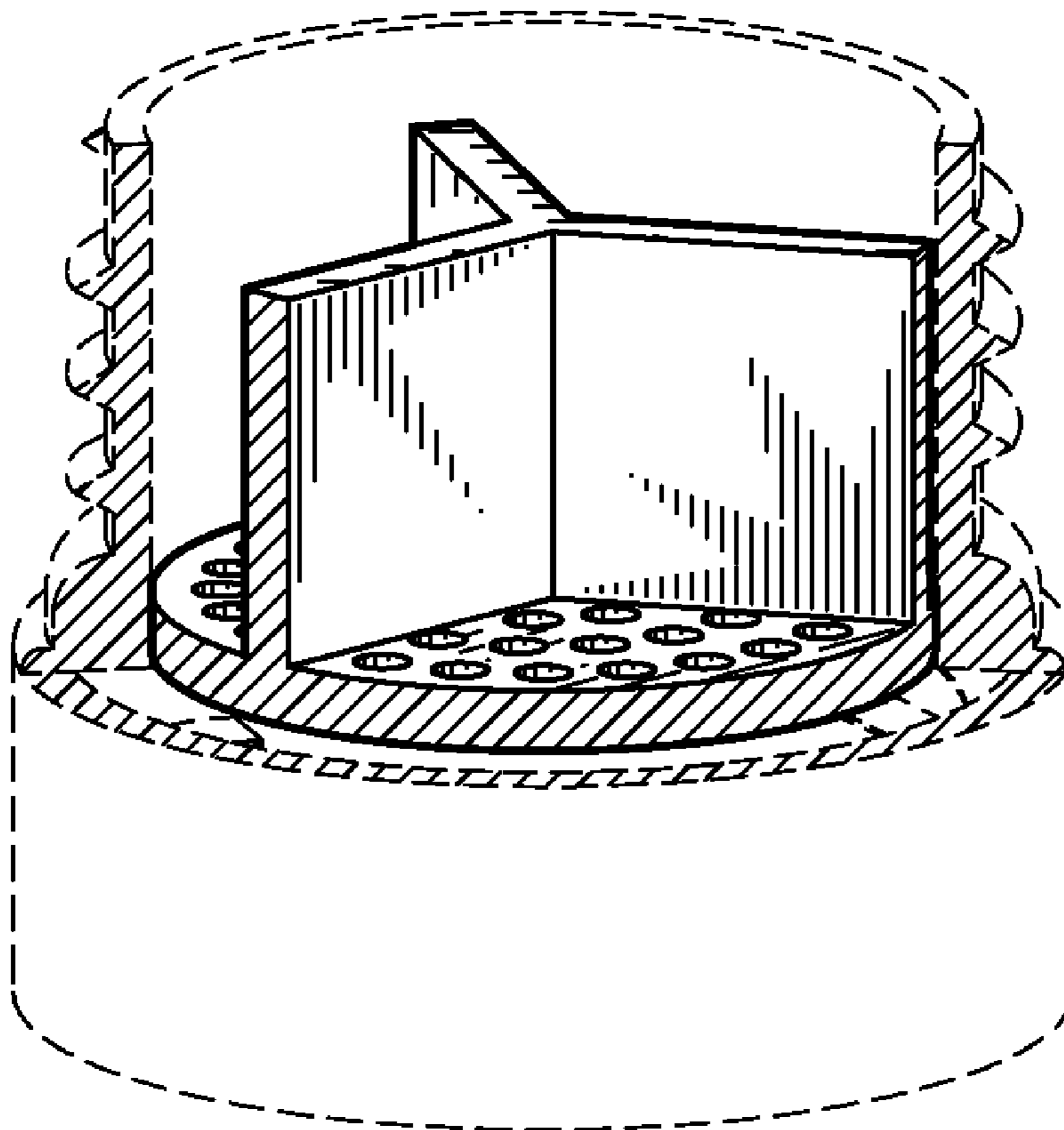
- 220,658 A * 10/1879 Randolph 206/540
- D274,040 S * 5/1984 Ridgley D3/203.3
- D398,444 S * 9/1998 Ricci D3/203.2
- D488,618 S * 4/2004 Wekstein D3/203.3

FIG. 5 is a top plan view thereof; and,

FIG. 6 is a bottom plan view thereof.

The broken lines represent portions of the tablet holder compartment that form no part of the claim.

1 Claim, 2 Drawing Sheets



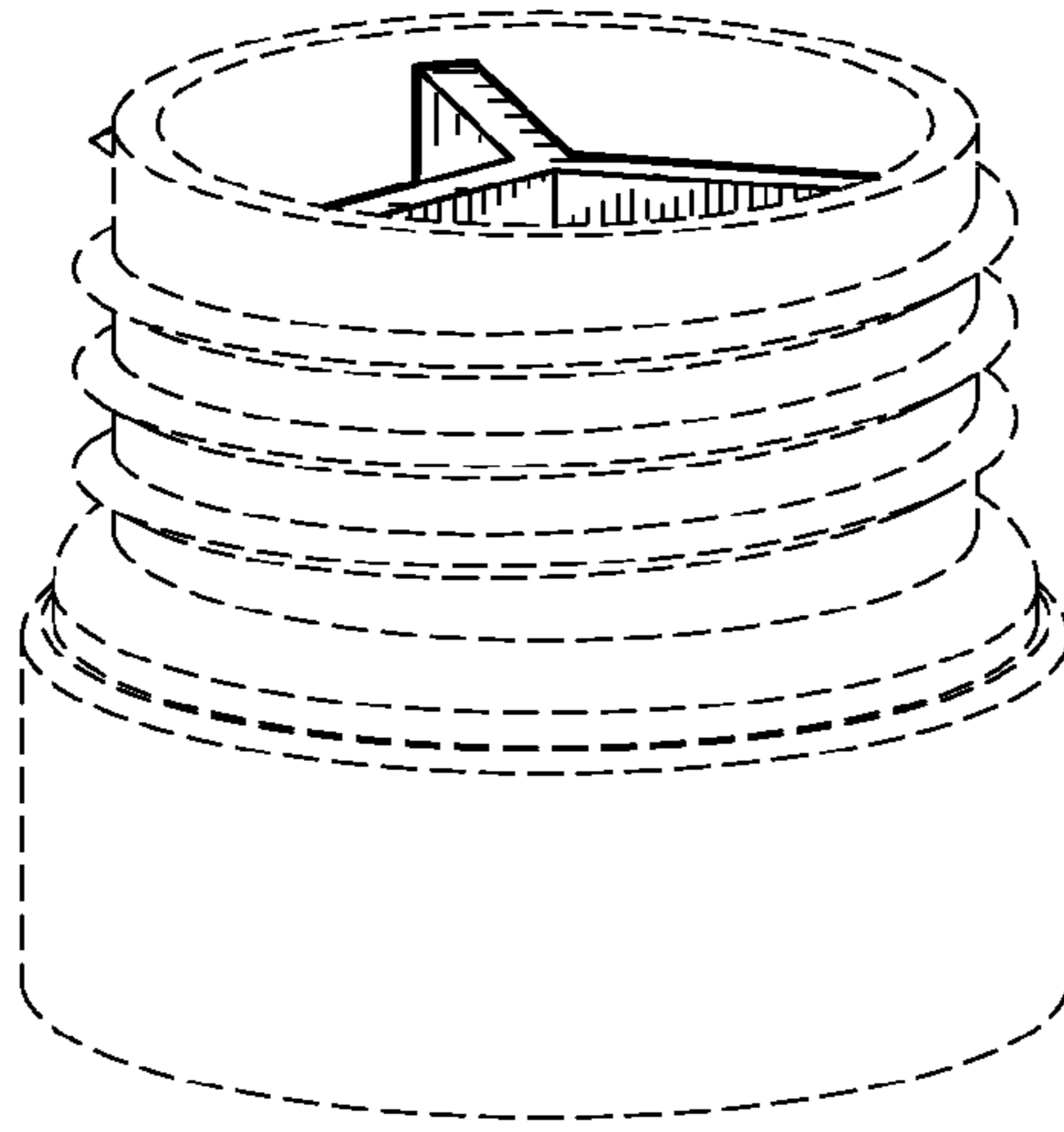


FIG.1

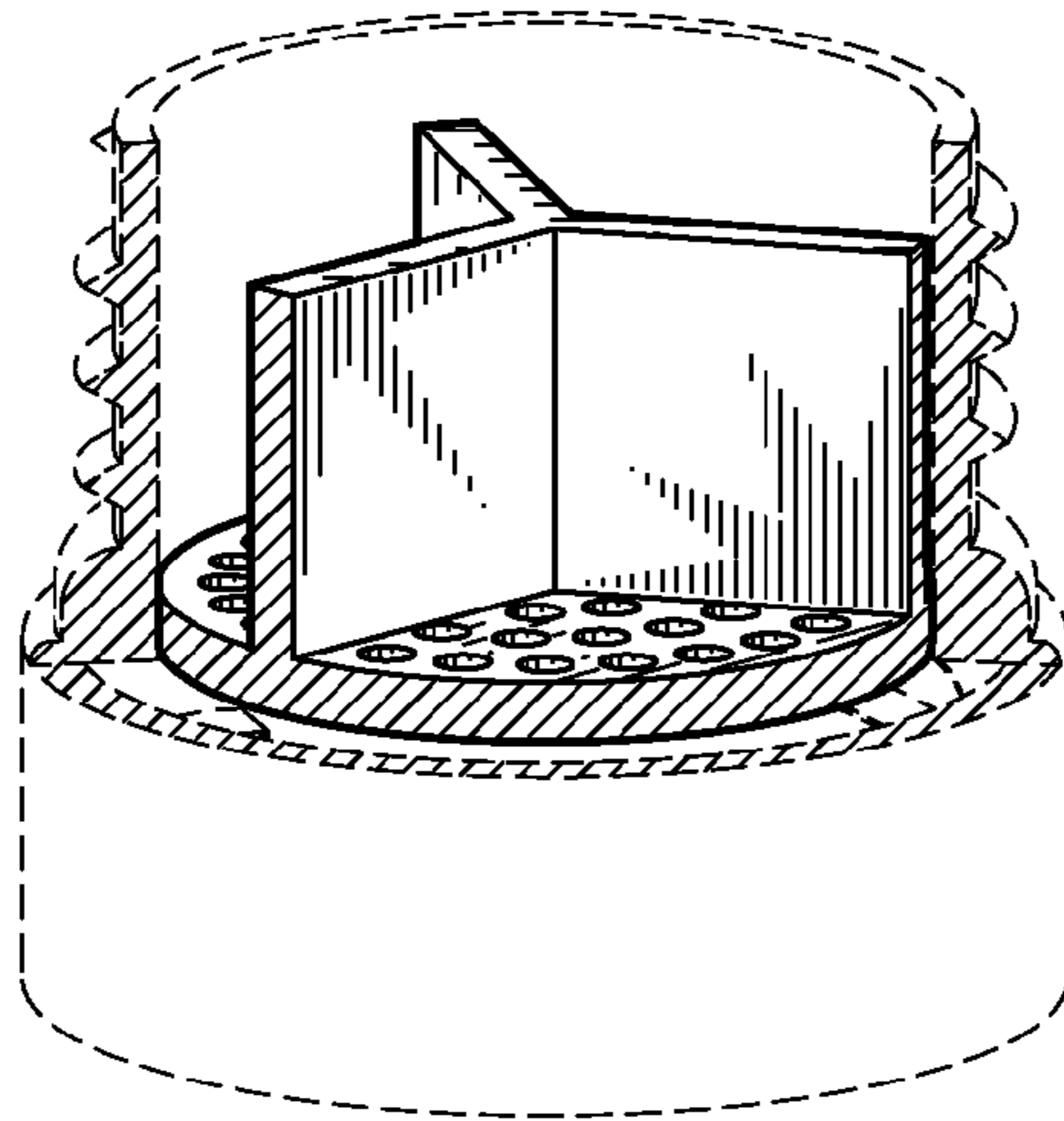


FIG.2

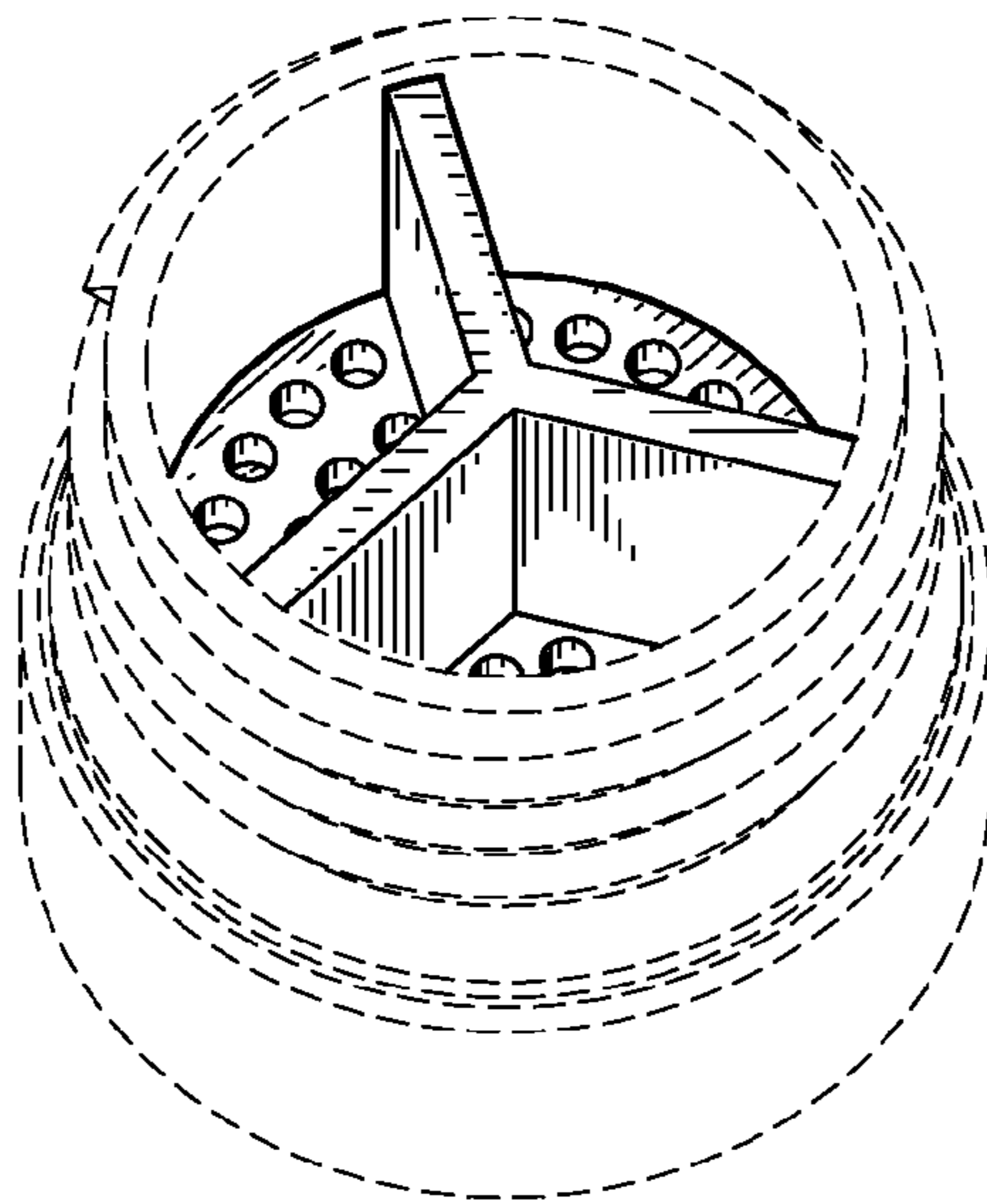


FIG.3

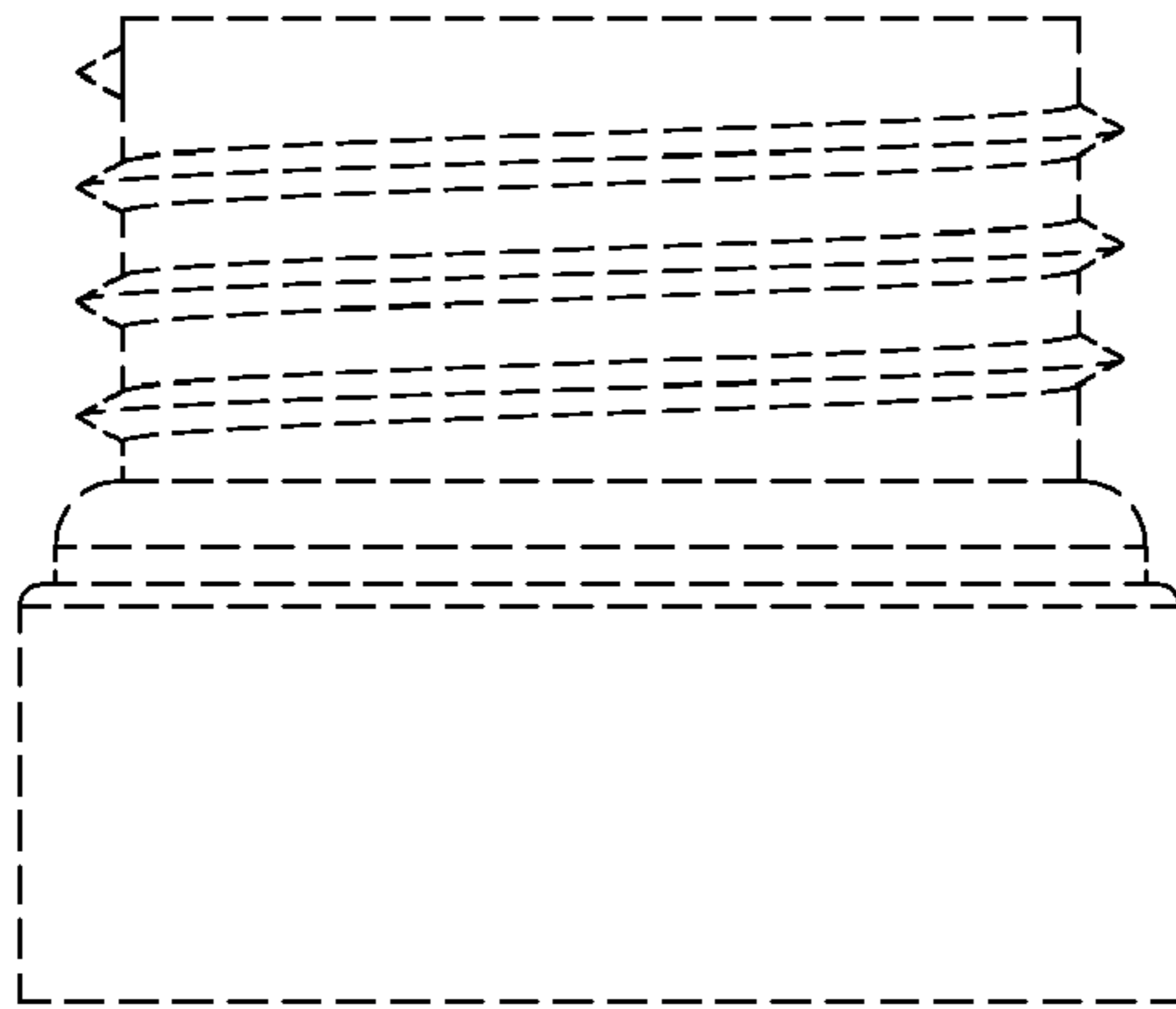


FIG. 4

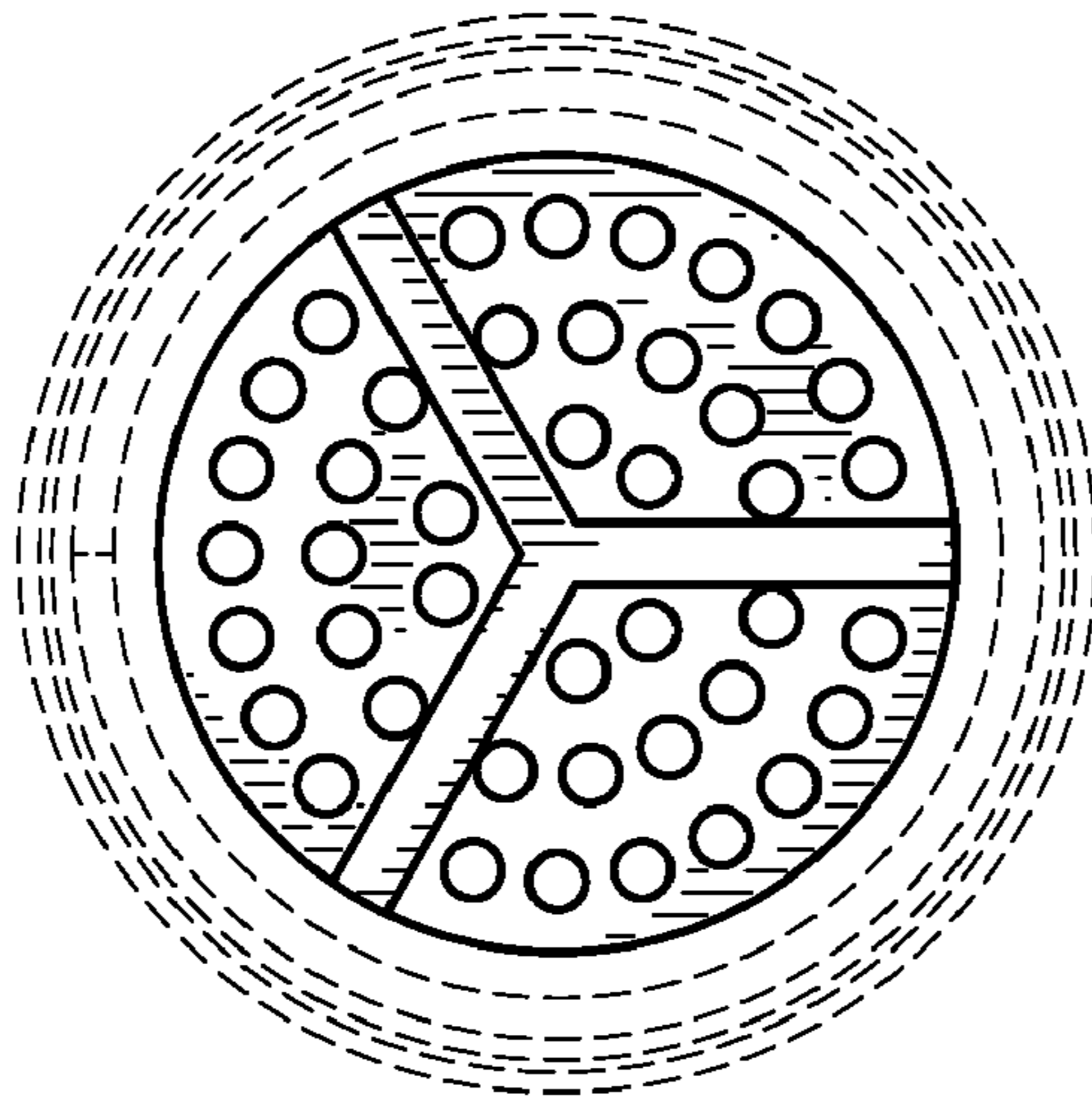


FIG. 5

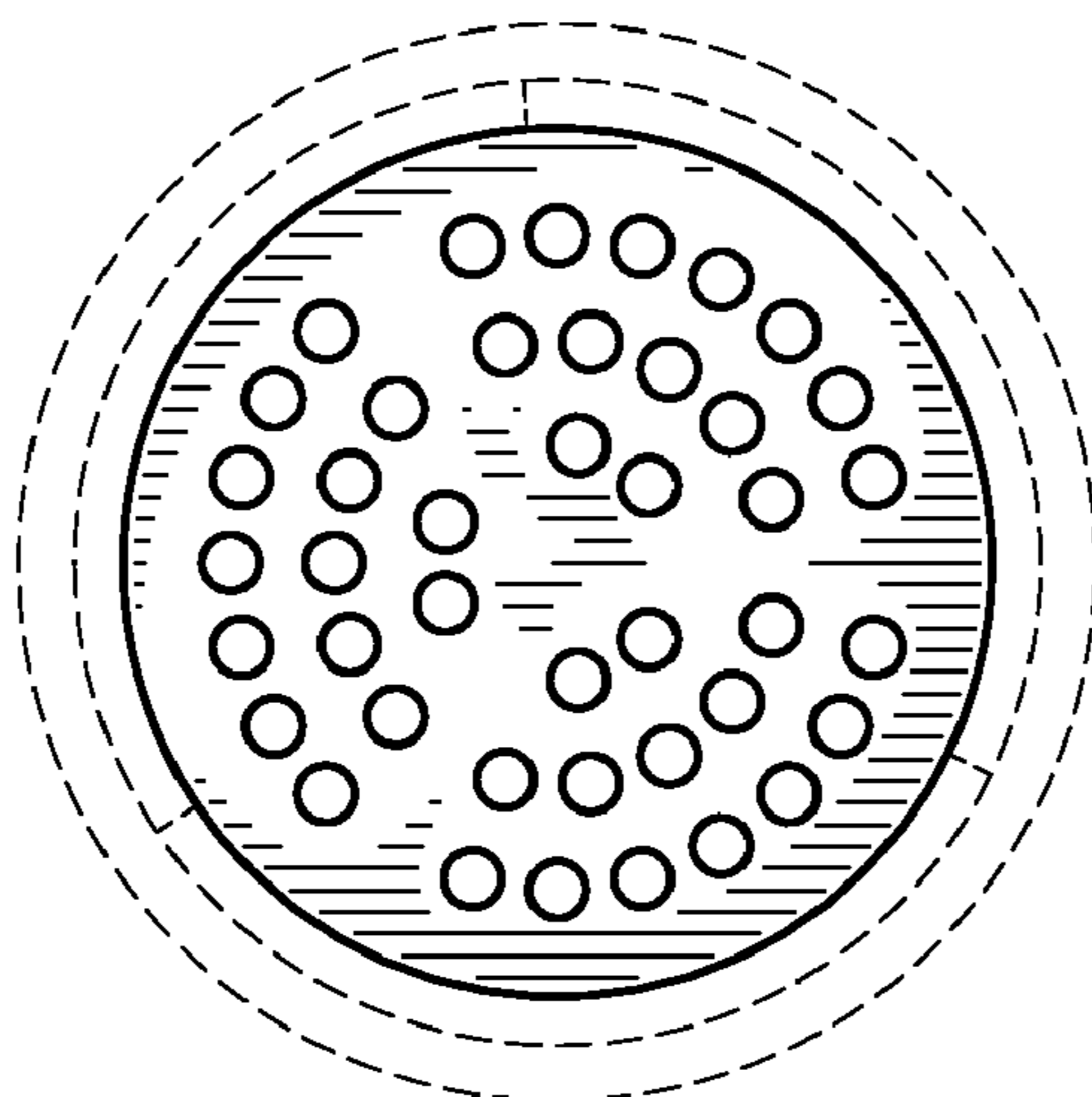


FIG. 6