



US00D608078S

(12) **United States Design Patent**
Tranto

(10) **Patent No.:** **US D608,078 S**
(45) **Date of Patent:** **** Jan. 19, 2010**

(54) **MATERNITY LAB COAT**

(76) **Inventor:** **Maria N. Tranto**, 108 Vista Dr.,
Weirton, WV (US) 26062

(**) **Term:** **14 Years**

(21) **Appl. No.:** **29/338,127**

(22) **Filed:** **Jun. 4, 2009**

(51) **LOC (9) Cl.** **02-02**

(52) **U.S. Cl.** **D2/837**

(58) **Field of Classification Search** D2/720,
D2/724, 739, 829, 834; 2/93, 96, 98, 104
See application file for complete search history.

(56) **References Cited**

U.S. PATENT DOCUMENTS

1,877,697	A *	9/1932	Schlusberg	2/93
1,900,391	A *	3/1933	Slinger	2/93
D98,242	S *	1/1936	Feuer	D2/837
2,036,013	A *	3/1936	Berman	2/93
2,211,100	A	8/1940	Cohen	
2,262,346	A *	11/1941	Spencer	2/93
2,306,154	A *	12/1942	Bryant	2/95
2,501,818	A	3/1950	Kantor	
3,218,649	A	11/1965	Ricter	
4,040,124	A *	8/1977	Zoepfel	2/51
4,578,824	A *	4/1986	Waldron	2/96
4,590,624	A	5/1986	Weiser	
4,606,078	A	8/1986	Tkacsik	

D306,791	S	3/1990	Hurst	
D312,525	S *	12/1990	Galeana	D2/837
5,572,742	A *	11/1996	McFadden	2/114
D451,260	S *	12/2001	Ohsawa	D2/828
D453,260	S	2/2002	Carothers	
7,010,812	B1	3/2006	Cho et al.	
D530,885	S *	10/2006	Barthel	D2/720
D594,632	S *	6/2009	Long	D2/720
2004/0226072	A1	11/2004	Holmes-Otto	
2006/0179540	A1	8/2006	Rotter	

* cited by examiner

Primary Examiner—Ian Simmons
Assistant Examiner—R. Johnson

(57) **CLAIM**

The ornamental design for a maternity lab coat, as shown and described.

DESCRIPTION

FIG. 1 is a front view of a maternity lab coat showing my new design;

FIG. 2 is a back view thereof;

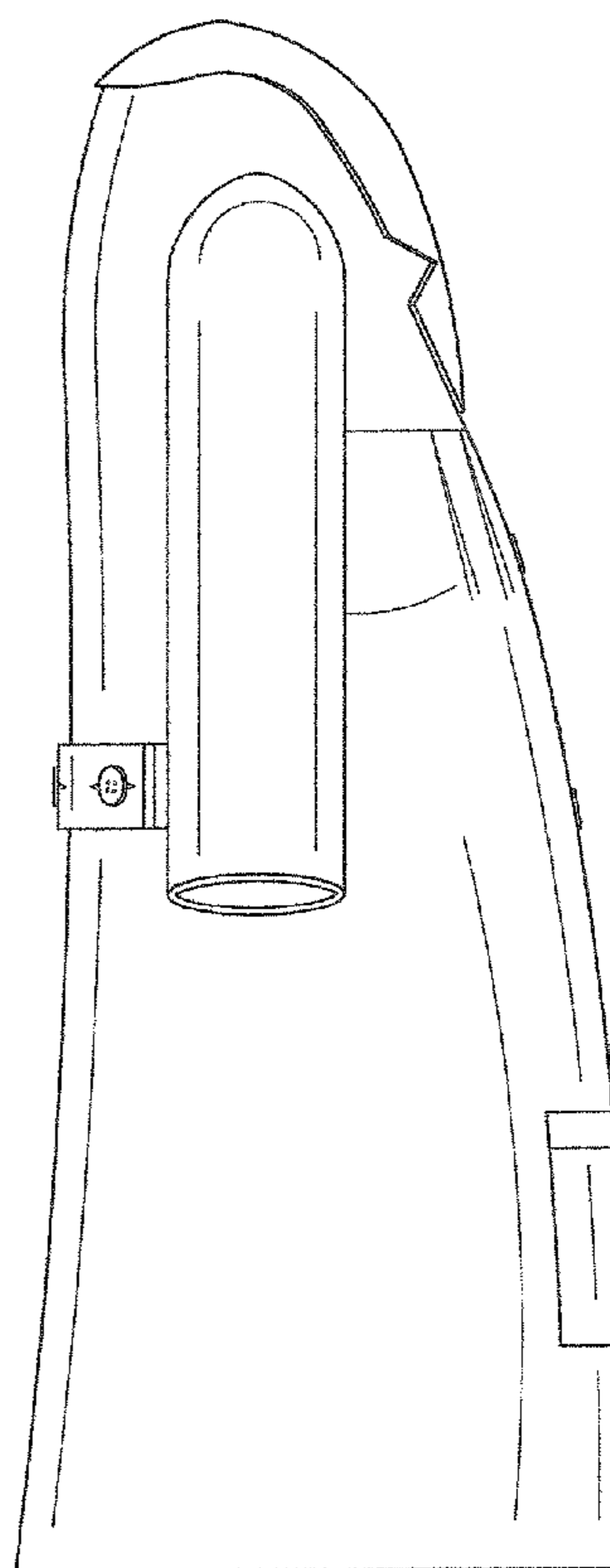
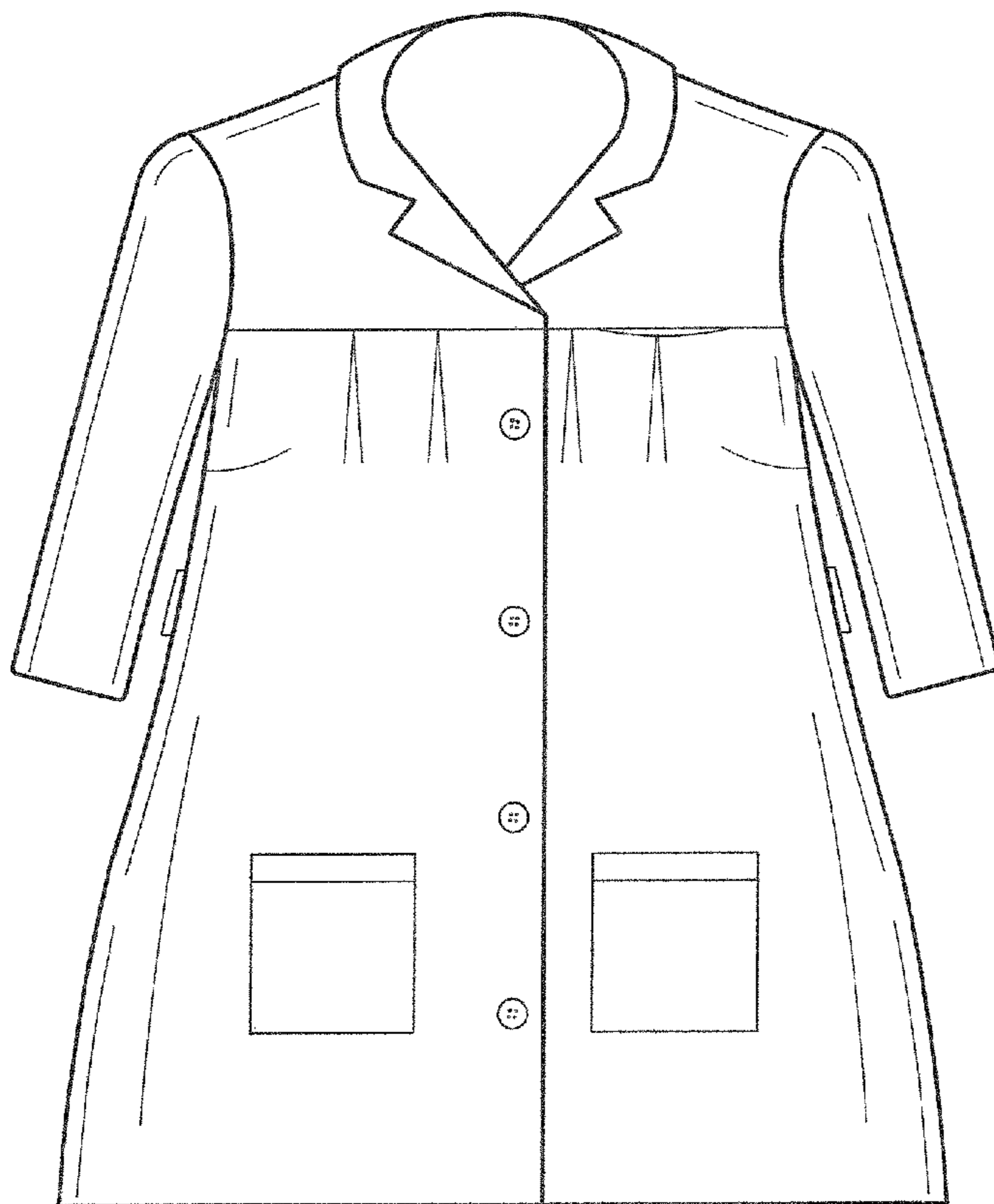
FIG. 3 is a side view thereof;

FIG. 4 is an opposite side view thereof;

FIG. 5 is a top view thereof; and,

FIG. 6 is a bottom view thereof.

1 Claim, 4 Drawing Sheets



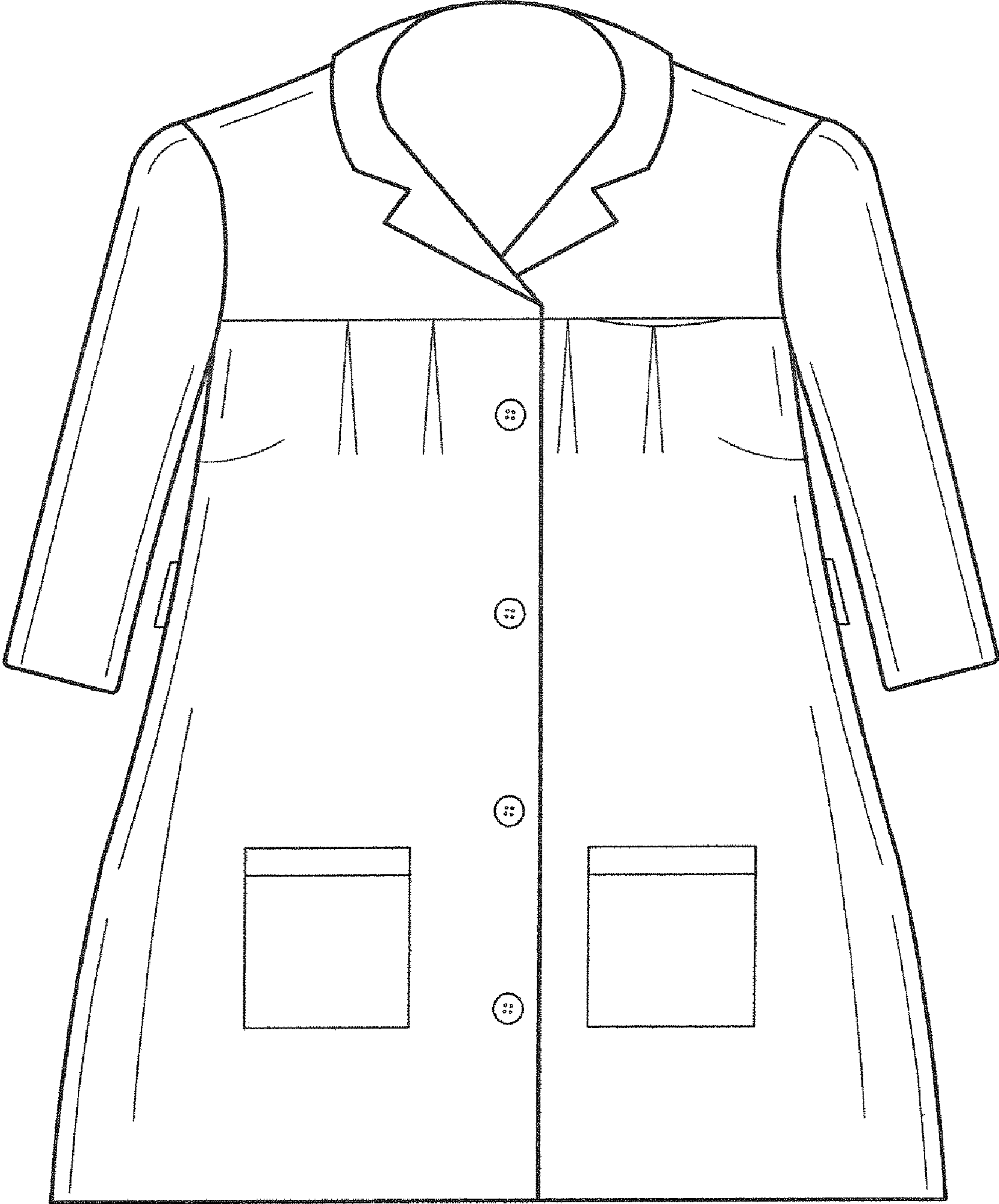


FIG. 1

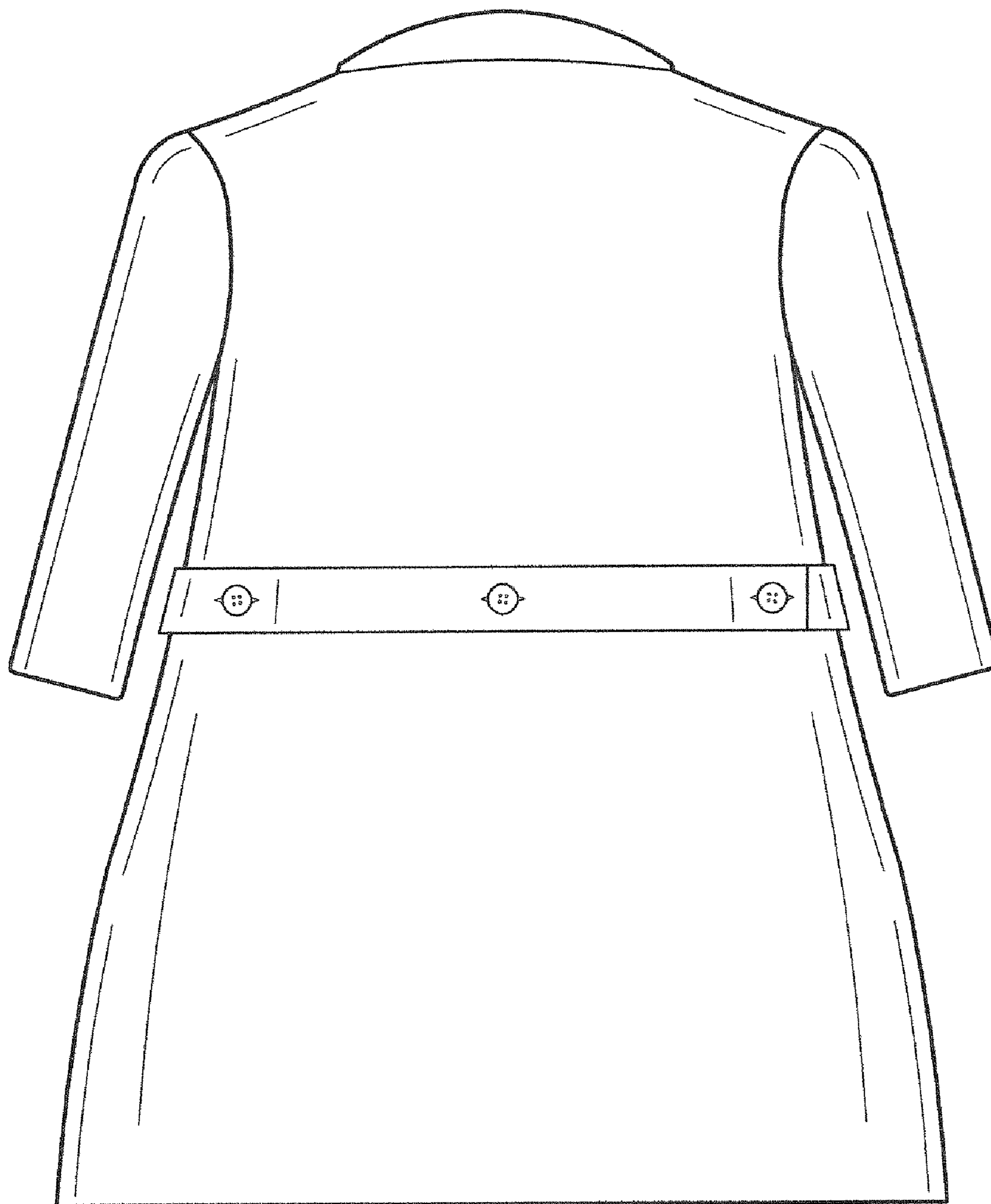


FIG. 2

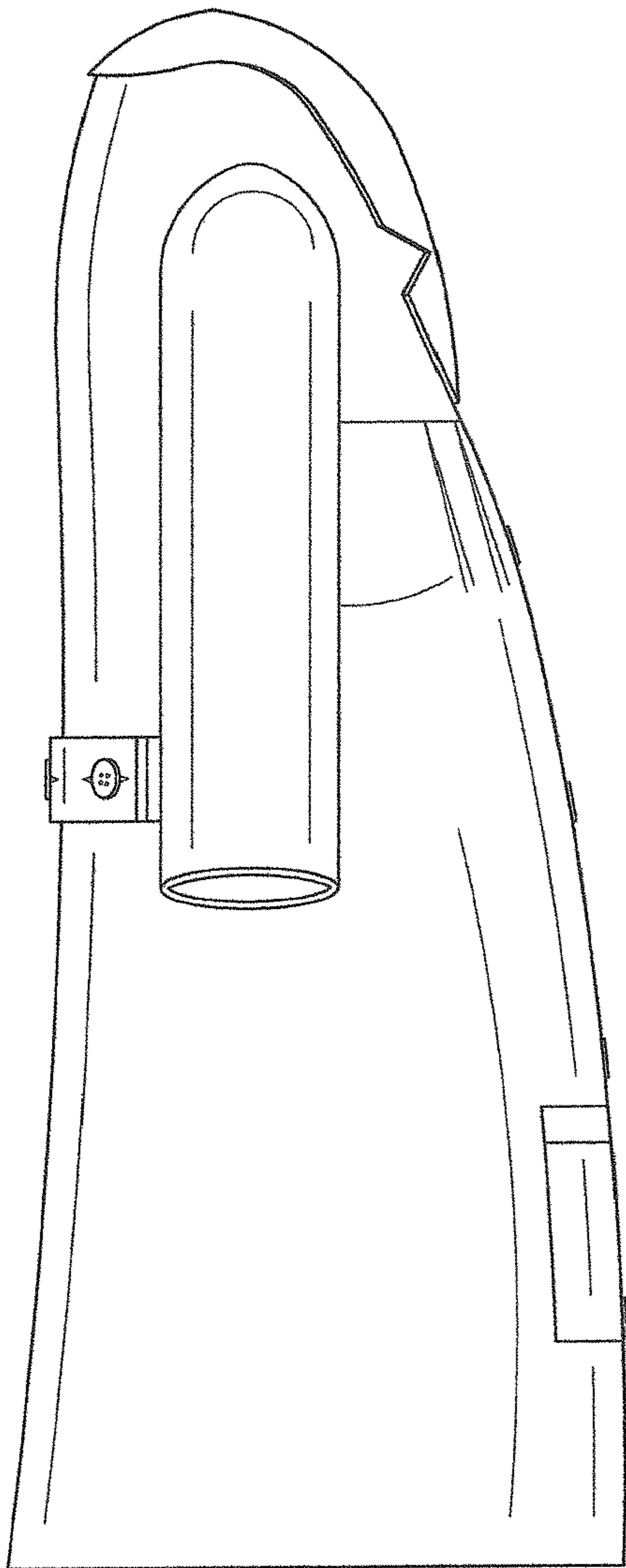


FIG. 3

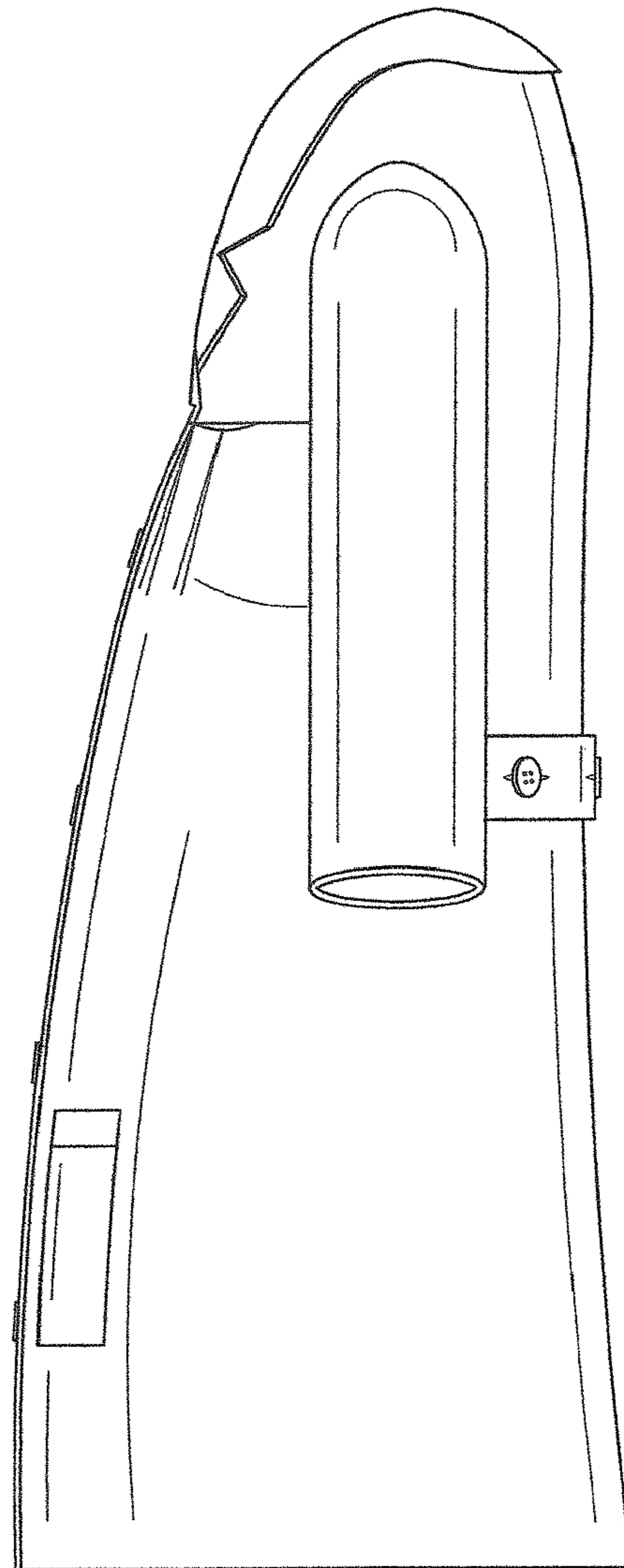


FIG. 4

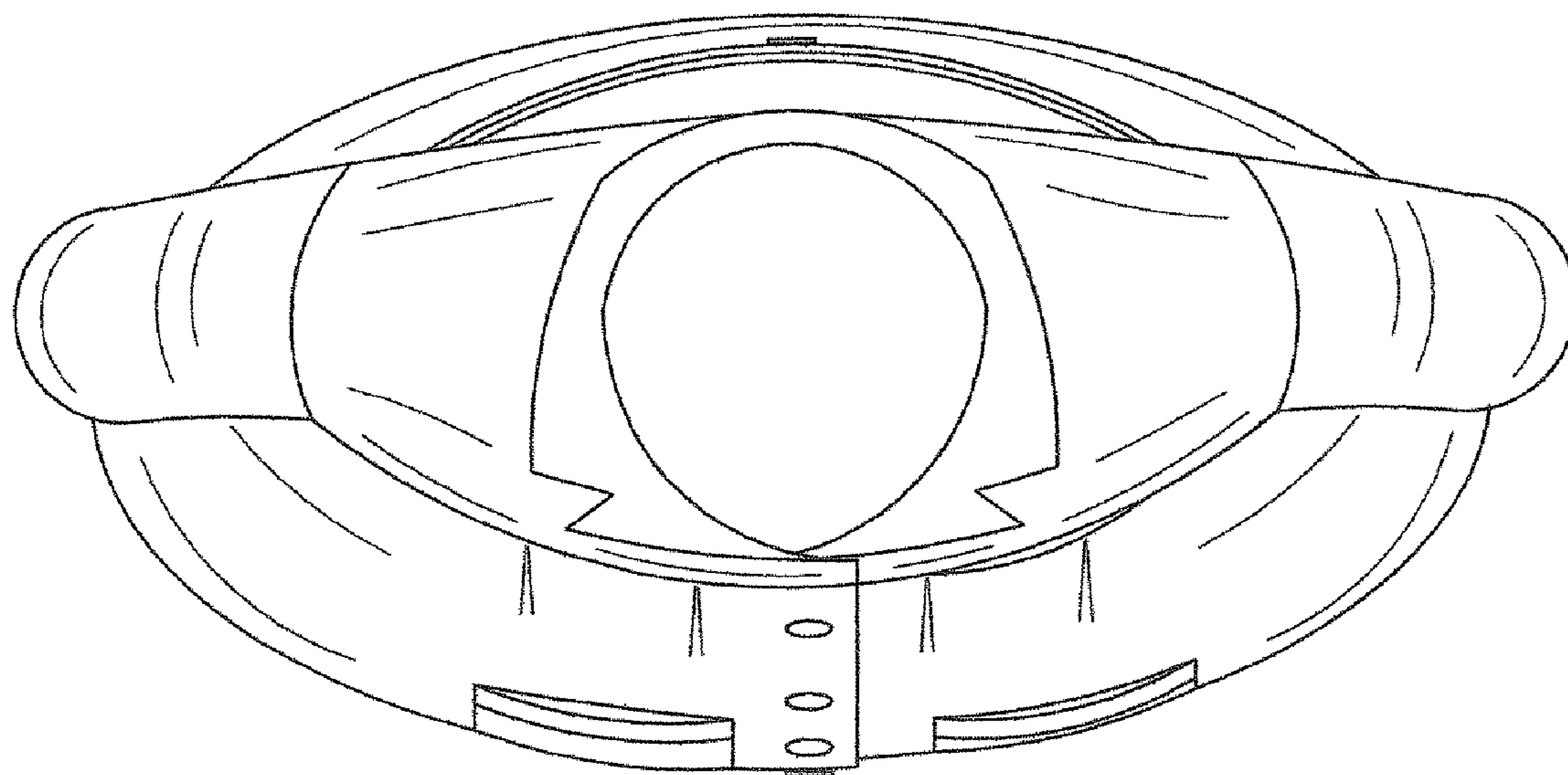


FIG. 5

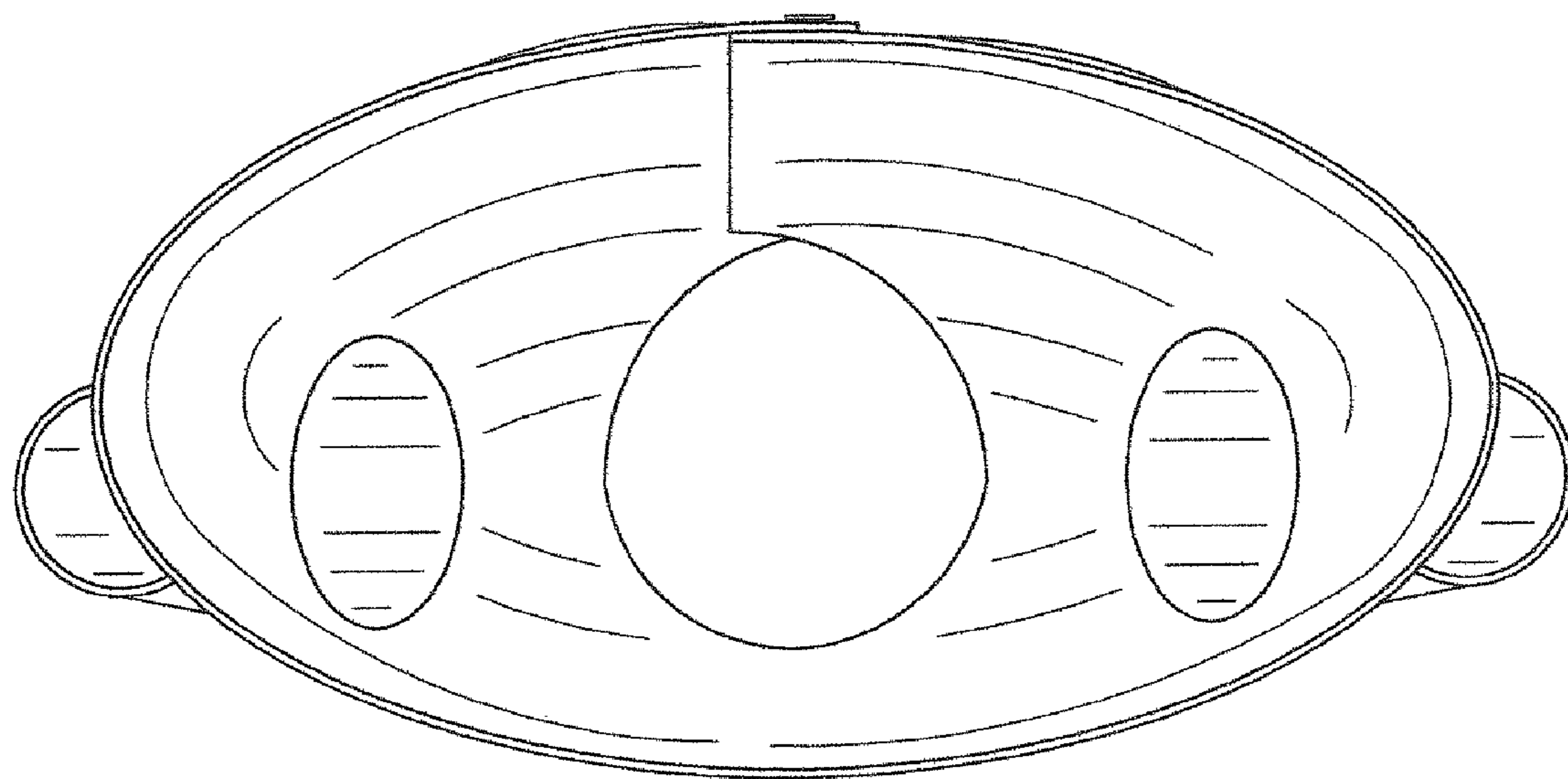


FIG. 6