



US00D608072S

(12) **United States Design Patent**  
**Hernandez**

(10) **Patent No.:** **US D608,072 S**  
(45) **Date of Patent:** **\*\* Jan. 12, 2010**

(54) **MULTI-POSITION MECHANIC'S CREEPER**

(75) Inventor: **Hector R. Hernandez**, Fullerton, CA  
(US)

(73) Assignee: **Alltrade Tools LLC**, Long Beach, CA  
(US)

(\*\*) Term: **14 Years**

(21) Appl. No.: **29/306,901**

(22) Filed: **Apr. 18, 2008**

3,984,116 A *	10/1976	Bowers	.....	280/32.6
4,352,597 A	10/1982	Kay		
4,366,599 A	1/1983	Zimmer et al.		
D270,962 S	10/1983	Martell		
4,486,919 A	12/1984	Schoenke		
4,580,799 A *	4/1986	Quinonez	.....	280/32.6
4,719,665 A	1/1988	Bell		
4,742,586 A	5/1988	Galumbeck		
4,889,352 A *	12/1989	Chamberlin et al.	.....	280/32.6
4,928,350 A	5/1990	Morgan		
5,022,670 A *	6/1991	Cote et al.	.....	280/32.6

**Related U.S. Application Data**

(63) Continuation of application No. 29/281,587, filed on Jun. 26, 2007, which is a continuation of application No. 29/263,110, filed on Jul. 17, 2006, now Pat. No. Des. 547,517.

(51) **LOC (9) Cl.** ..... **12-02**

(52) **U.S. Cl.** ..... **D34/23**

(58) **Field of Classification Search** ..... D34/12-27;  
280/32.5, 32.6, 79.11, 79.2, 79.7

See application file for complete search history.

(56) **References Cited**

**U.S. PATENT DOCUMENTS**

0,546,993 A	10/1895	Bigalow	
0,781,243 A	1/1905	Thompson	
1,149,407 A	8/1915	Power	
1,209,447 A	12/1916	Johnson	
1,218,519 A	3/1917	Bradley	
1,226,585 A	5/1917	Parker et al.	
1,302,301 A	4/1919	Broome	
1,349,941 A	8/1920	Broome	
1,363,023 A	12/1920	Taylor	
1,394,493 A	10/1921	Grazer	
1,511,943 A	10/1924	Bush	
1,643,268 A	9/1927	Burnwatt	
2,054,598 A	9/1936	Goldenberg	
2,509,934 A *	5/1950	Murray	..... 280/32.6
2,611,417 A	9/1952	Henry et al.	
2,692,636 A	10/1954	Morrison	
3,799,566 A	3/1974	Thompson	

(Continued)

*Primary Examiner*—Cynthia E Ramirez  
(74) *Attorney, Agent, or Firm*—Step toe & Johnson LLP

(57) **CLAIM**

The ornamental design for a multi-position mechanic's creeper, as shown and described.

**DESCRIPTION**

FIG. 1 is a perspective view, depicting a multi-position mechanic's creeper of the present invention;

FIG. 2 is a perspective view, depicting the underside of the multi-position mechanic's creeper of FIG. 1;

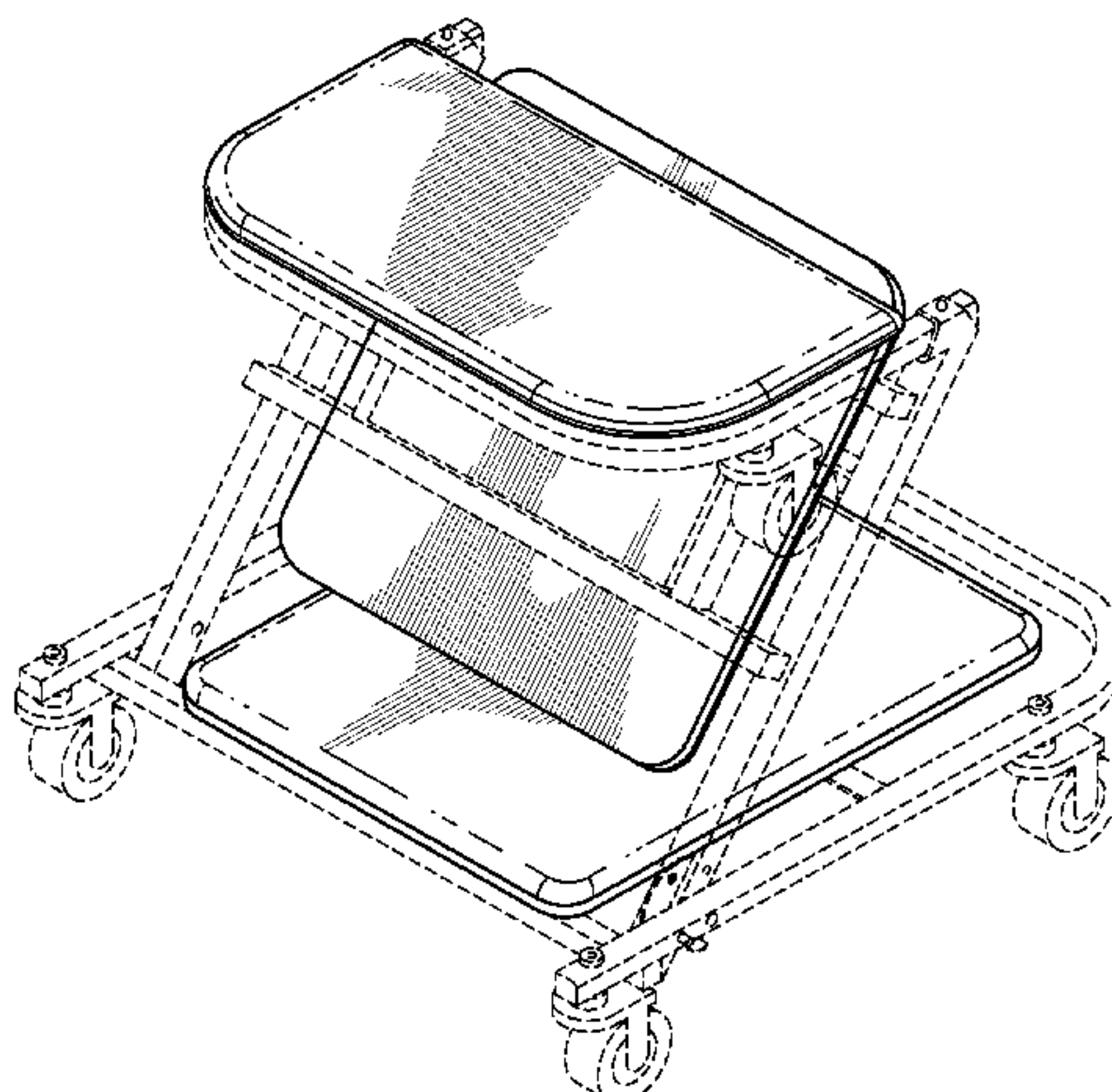
FIG. 3 is a top view, depicting the multi-position mechanic's creeper of FIG. 1;

FIG. 4 is a side view, depicting the multi-position mechanic's creeper of FIG. 1;

FIG. 5 is a perspective view, depicting the multi-position mechanic's creeper of FIG. 1 in an inclined seating configuration; and,

FIG. 6 is a perspective view, depicting the multi-position mechanic's creeper of FIG. 1 in an upright seating configuration.

**1 Claim, 5 Drawing Sheets**



# US D608,072 S

Page 2

---

U.S. PATENT DOCUMENTS			
5,108,118	A *	4/1992	Schaevitz ..... 280/32.6
5,158,503	A	10/1992	Mitchell
5,174,592	A *	12/1992	Pool ..... 280/32.6
5,195,763	A	3/1993	Scott et al.
5,217,315	A	6/1993	Rosane
5,251,359	A	10/1993	Finkl
5,297,809	A *	3/1994	Chen ..... 280/32.6
5,330,209	A *	7/1994	Pool ..... 280/32.6
D351,707	S *	10/1994	Pill ..... D34/23
5,451,068	A	9/1995	Shockley
5,494,305	A *	2/1996	Chen ..... 280/32.6
5,611,552	A	3/1997	Miles et al.
5,622,404	A	4/1997	Menne
RE035,732	E	2/1998	Shockley
5,730,449	A *	3/1998	Miles ..... 280/32.6
D401,029	S *	11/1998	Taylor ..... D34/23
5,857,683	A *	1/1999	Auel ..... 280/32.6
5,863,053	A *	1/1999	Berry ..... 280/32.6
D406,432	S *	3/1999	Taylor et al. .... D34/23
D406,433	S *	3/1999	Taylor et al. .... D34/23
D406,683	S *	3/1999	Taylor et al. .... D34/23
5,895,062	A	4/1999	Miles et al.
5,947,489	A	9/1999	Tucker
6,059,298	A	5/2000	Tucker
6,076,838	A *	6/2000	Peterson et al. .... 280/32.6
6,095,532	A *	8/2000	Martin ..... 280/32.6
D436,708	S *	1/2001	Whiteside ..... D34/27
6,199,877	B1	3/2001	Shockley
6,702,305	B2 *	3/2004	Miles ..... 280/32.6
6,705,622	B2 *	3/2004	Whiteside ..... 280/32.6
6,834,868	B1	12/2004	Blackburn
6,966,564	B2 *	11/2005	Hernandez, Jr. .... 280/32.6
6,969,077	B2	11/2005	Liu
D522,209	S *	5/2006	Chipps ..... D34/23
D527,159	S *	8/2006	Staples ..... D34/23
D530,877	S *	10/2006	Staples ..... D34/23
D546,993	S *	7/2007	Layne ..... D26/63
D547,517	S	7/2007	Hernandez
2004/0227313	A1	11/2004	Shockley

\* cited by examiner

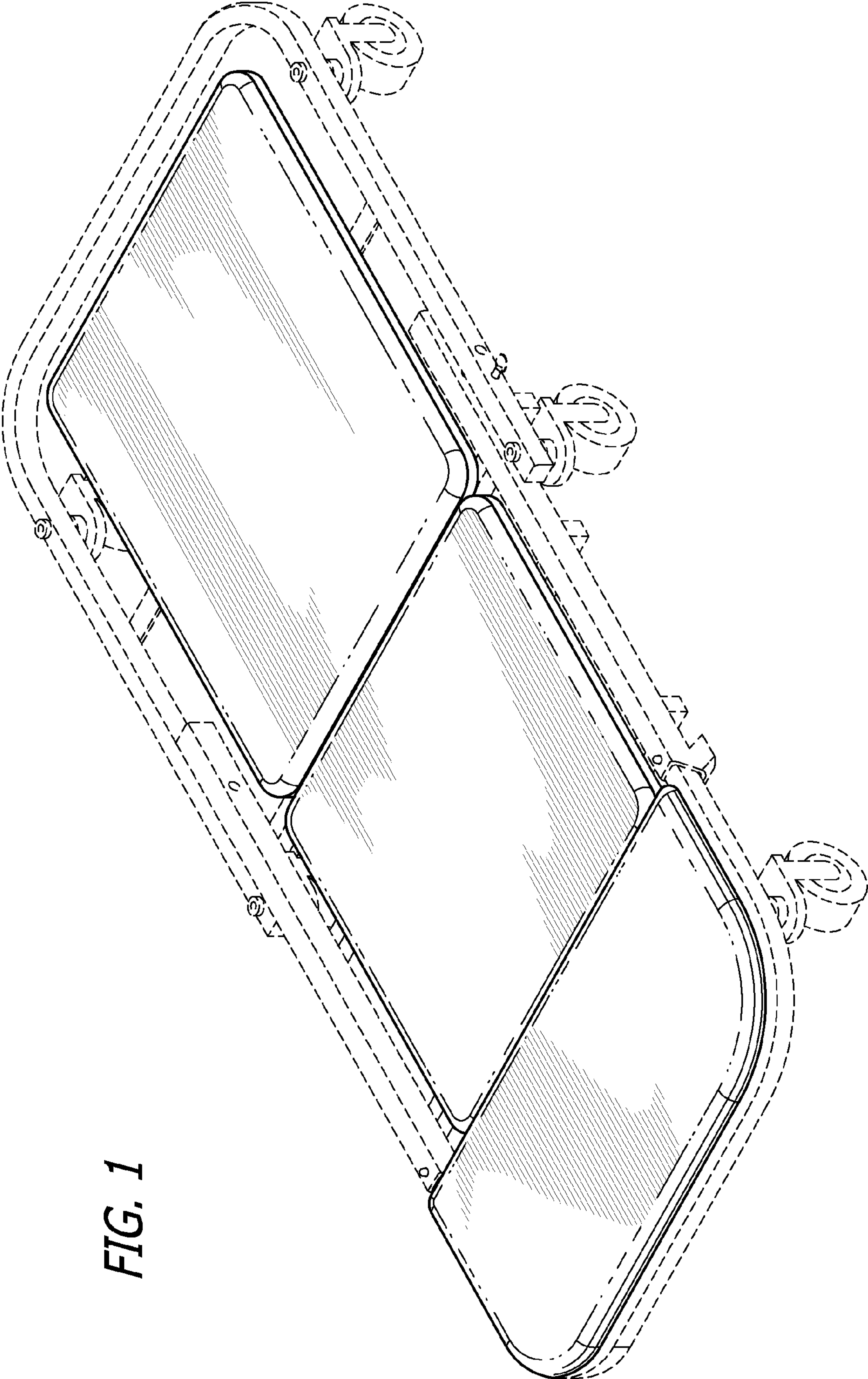


FIG. 1



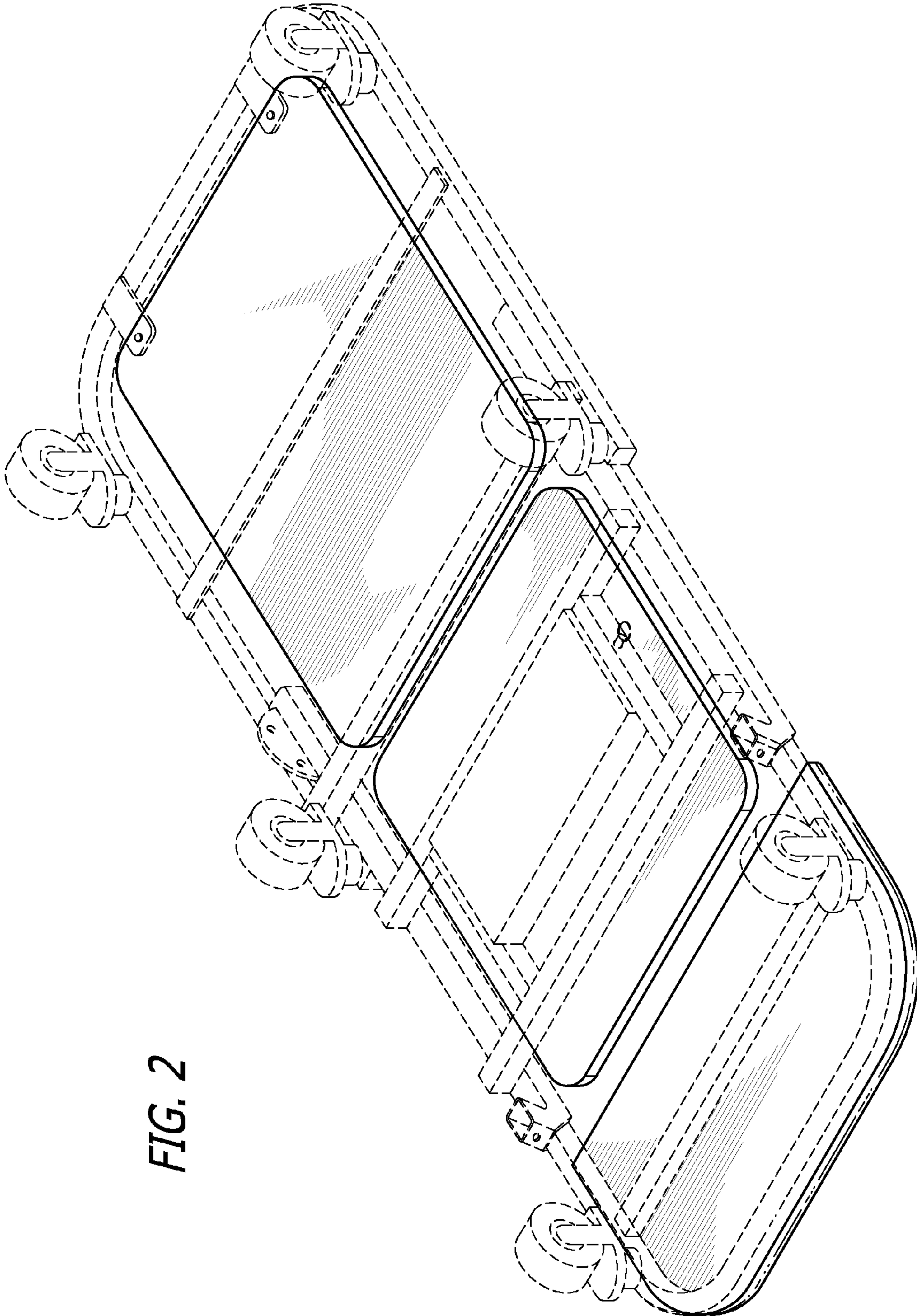


FIG. 2

FIG. 3

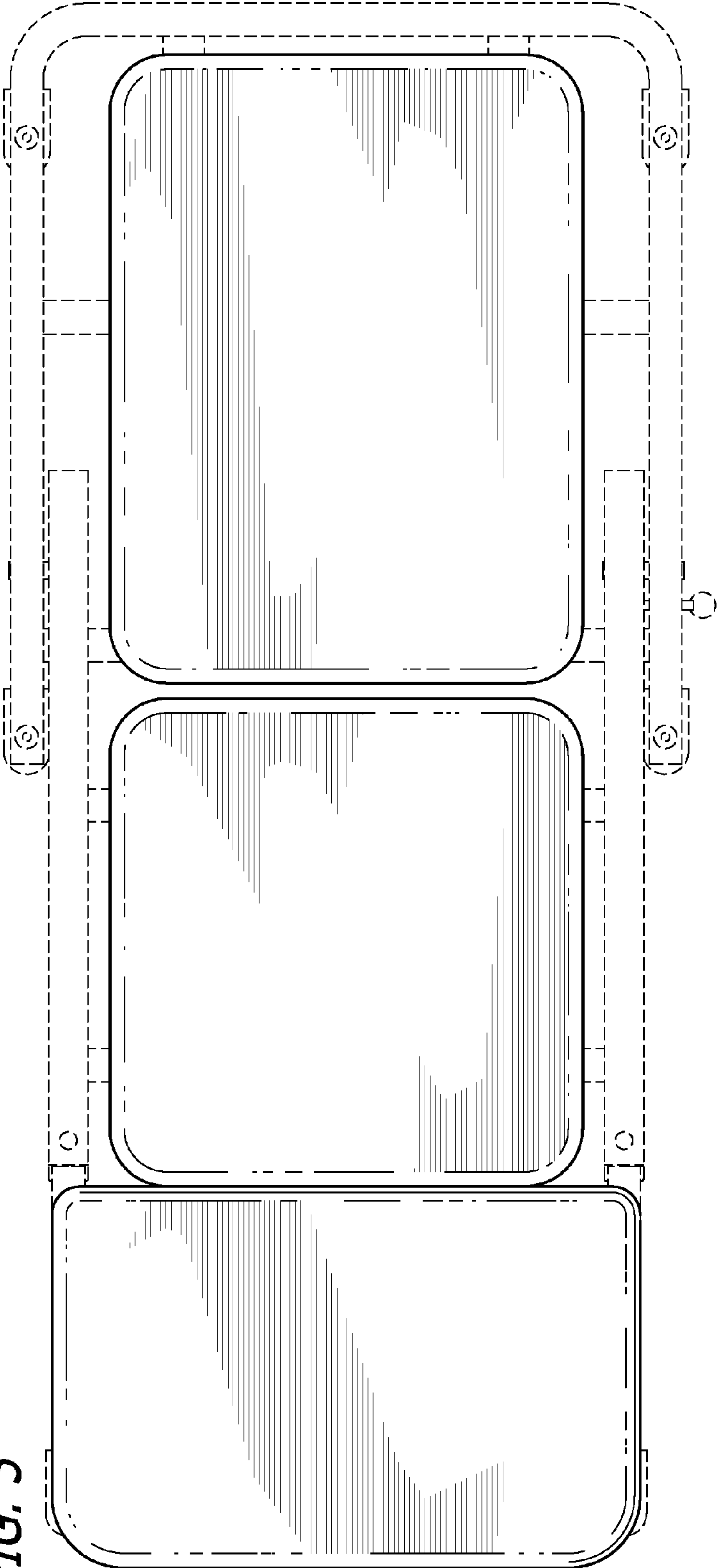
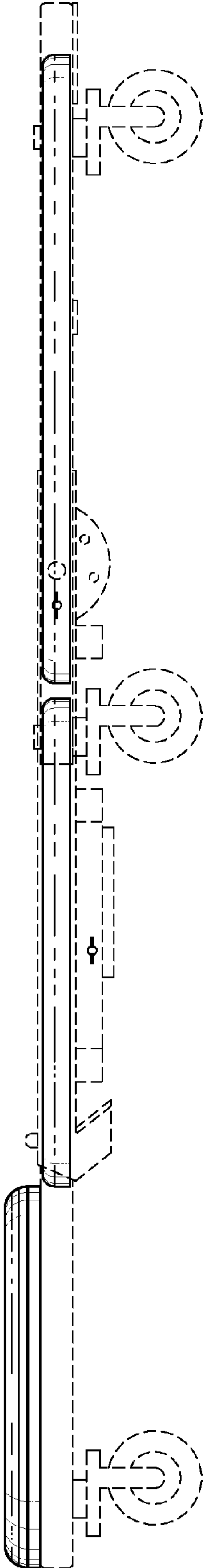
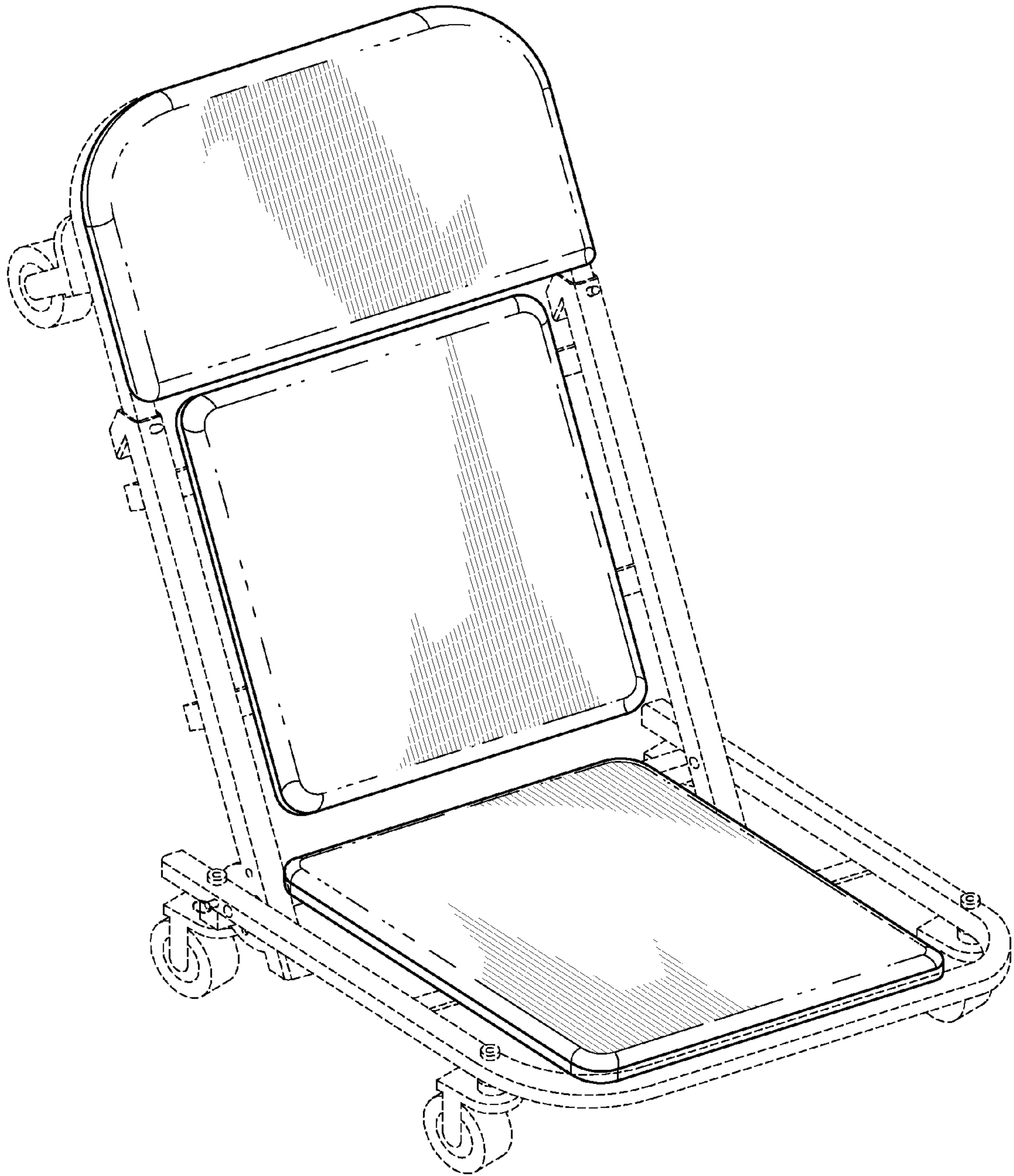
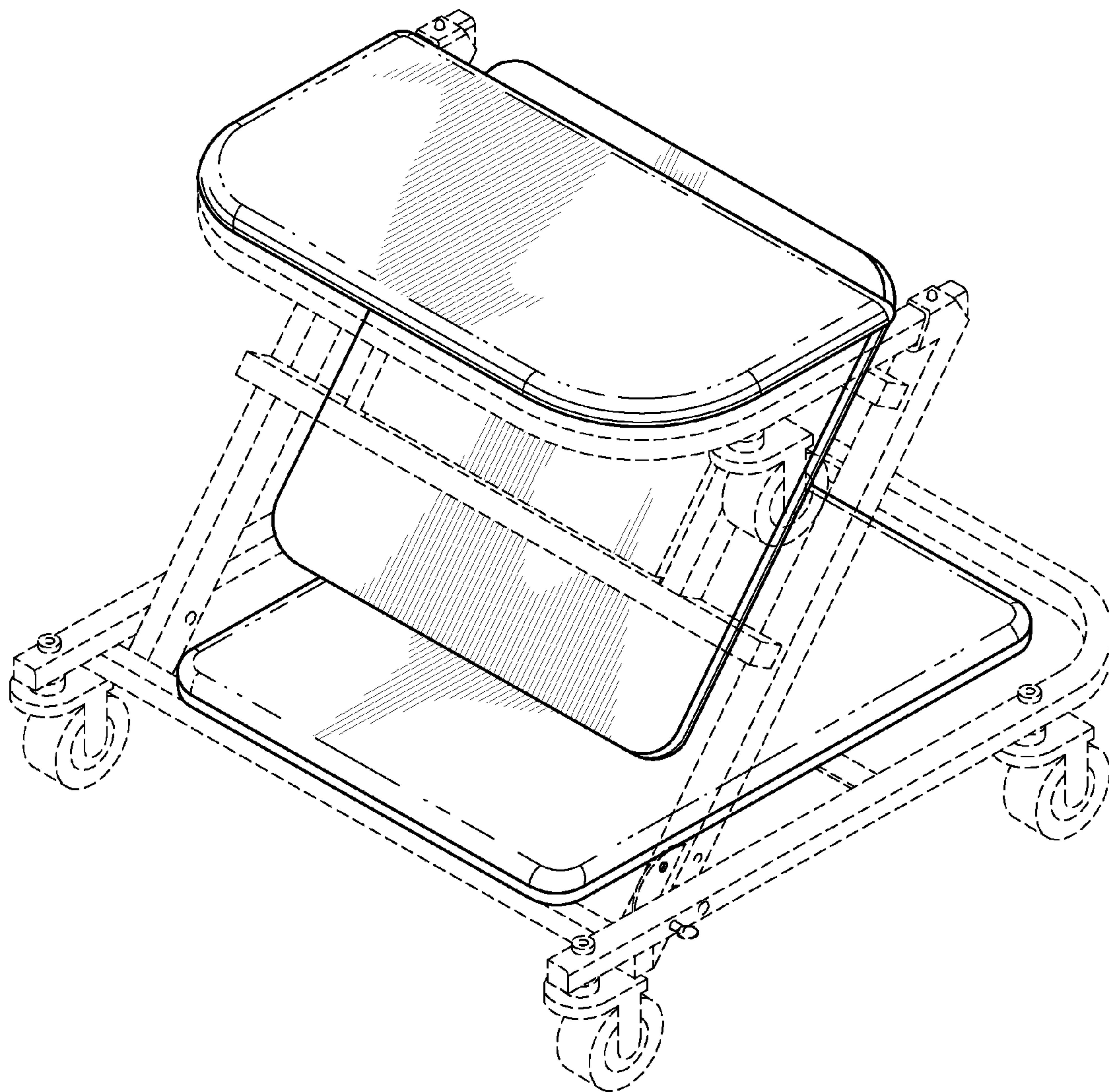


FIG. 4





**FIG. 5**



**FIG. 6**