



US00D608071S

(12) **United States Design Patent**
Presnell

(10) **Patent No.:** **US D608,071 S**

(45) **Date of Patent:** **** Jan. 12, 2010**

(54) **CART**

(75) Inventor: **Donald C. Presnell**, Stephens City, VA (US)

(73) Assignee: **Rubbermaid Commercial Products LLC**, Winchester, VA (US)

(**) Term: **14 Years**

(21) Appl. No.: **29/329,931**

(22) Filed: **Dec. 23, 2008**

(51) **LOC (9) Cl.** **12-02**

(52) **U.S. Cl.** **D34/21**

(58) **Field of Classification Search** D34/12-27;
280/47.35, 47.34, 79.11, 79.2, 79.3
See application file for complete search history.

(56) **References Cited**

U.S. PATENT DOCUMENTS

D293,148	S	*	12/1987	Wedel	D34/21
4,763,799	A	*	8/1988	Cohn et al.	211/187
D313,878	S	*	1/1991	Rinkewich	D34/21
D345,839	S	*	4/1994	Senese	D34/14
D354,382	S	*	1/1995	Mogensen	D34/21

D363,590 S * 10/1995 Kazmerchek et al. D34/21

* cited by examiner

Primary Examiner—Cynthia E Ramirez

(74) *Attorney, Agent, or Firm*—Foley & Lardner LLP

(57) **CLAIM**

I claim the ornamental design for a cart, as shown and described.

DESCRIPTION

FIG. 1 is a top front perspective view of a cart according to my new design;

FIG. 2 is a front view of the cart shown in FIG. 1;

FIG. 3 is a rear view of the cart shown in FIG. 1;

FIG. 4 is a right side view of the cart shown in FIG. 1;

FIG. 5 is a left side view of the cart shown in FIG. 1;

FIG. 6 is a top view of the cart shown in FIG. 1; and,

FIG. 7 is a bottom view of the cart shown in FIG. 1.

The broken line showing of wheels is included for the purpose of illustrating environment and forms no part of the claimed design.

1 Claim, 4 Drawing Sheets

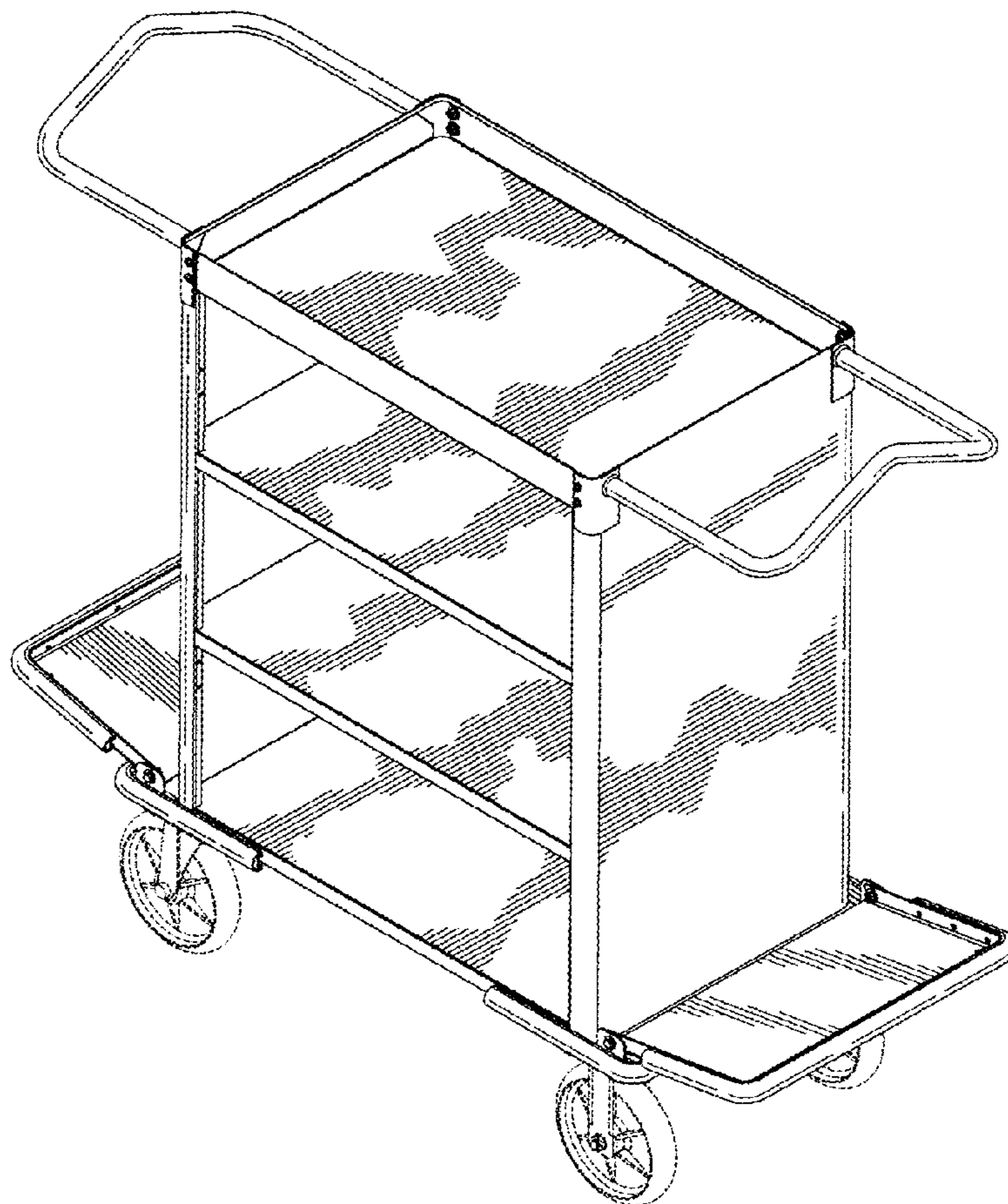


Fig. 1

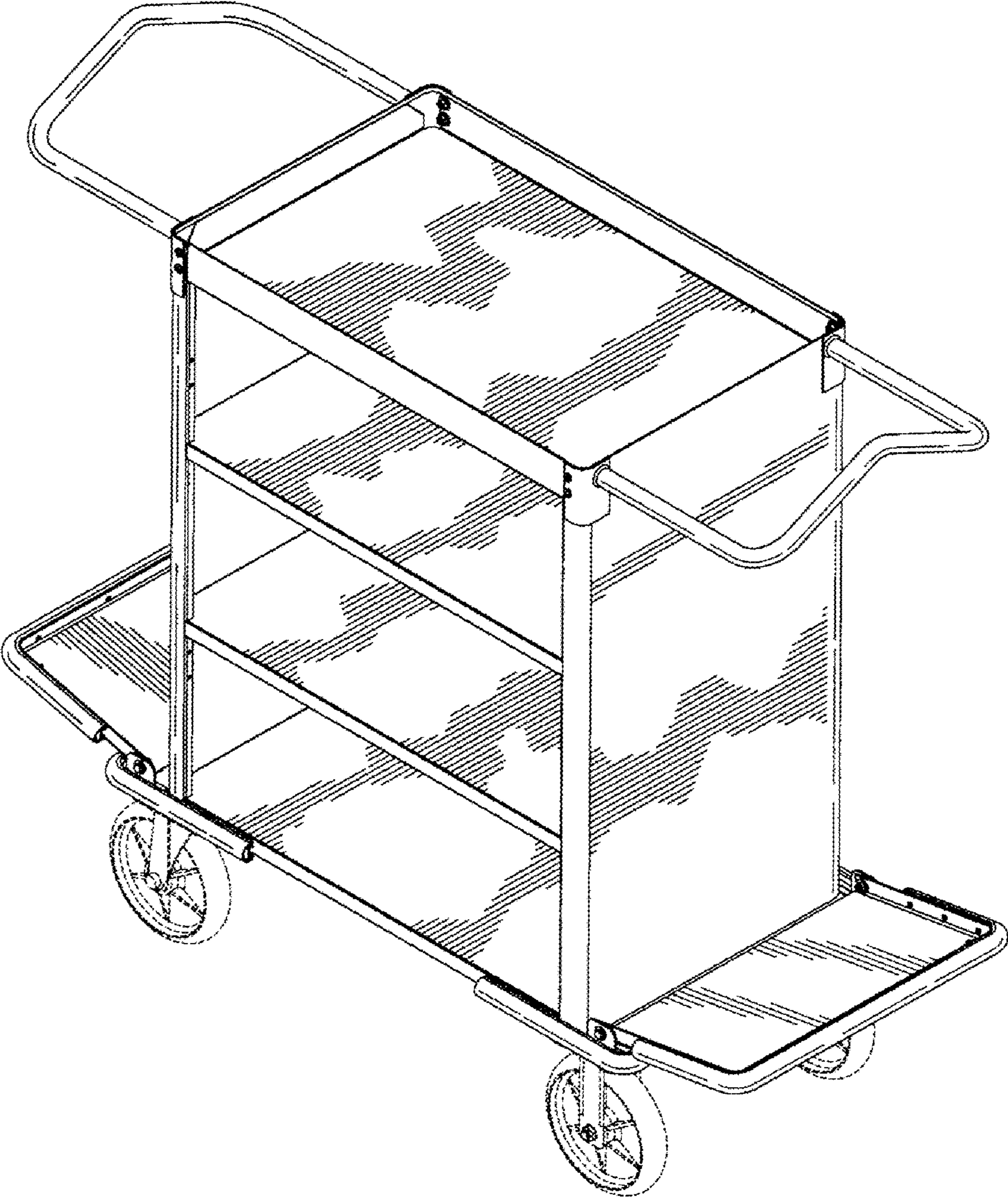


Fig. 2

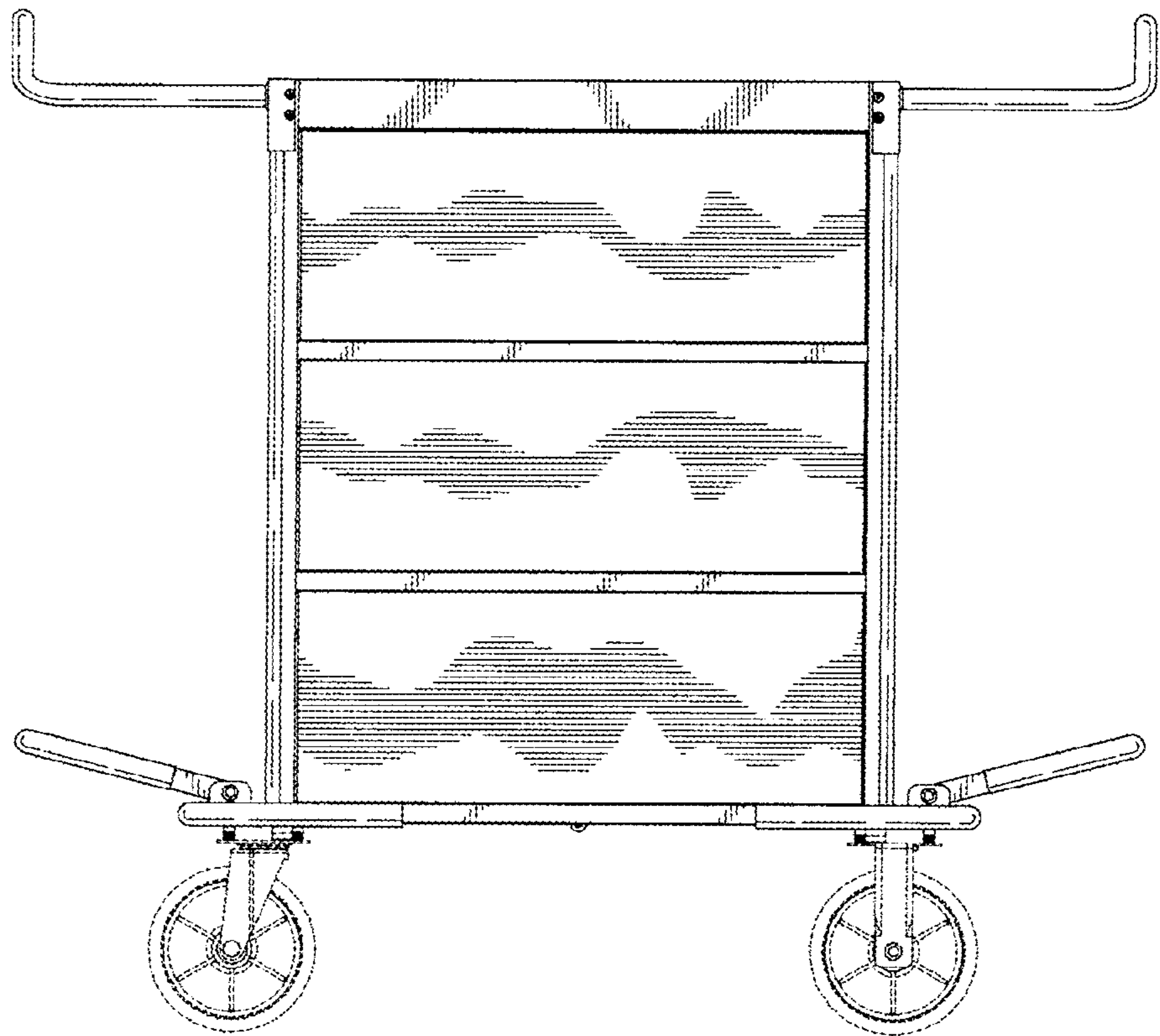


Fig. 3

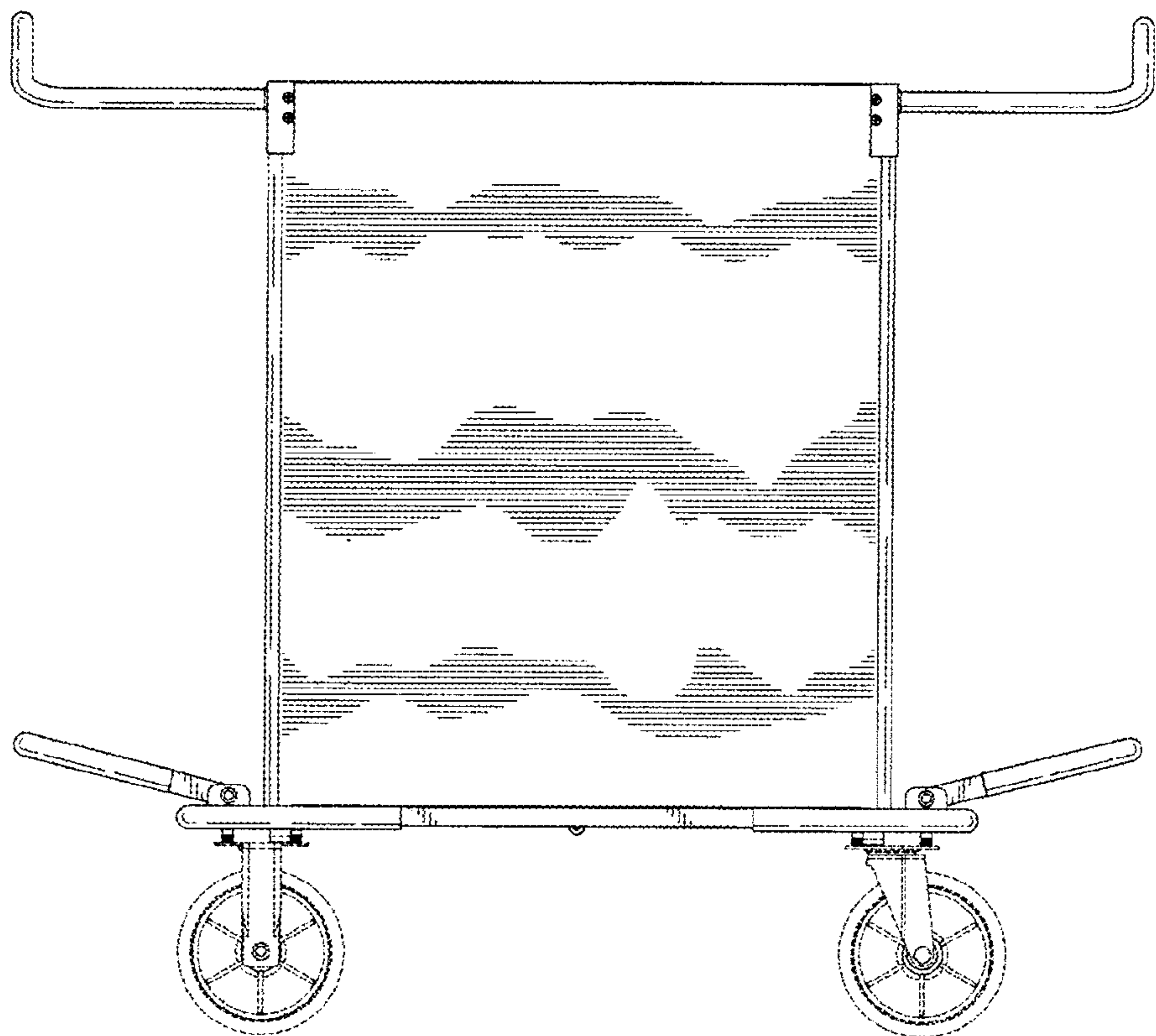


Fig. 4

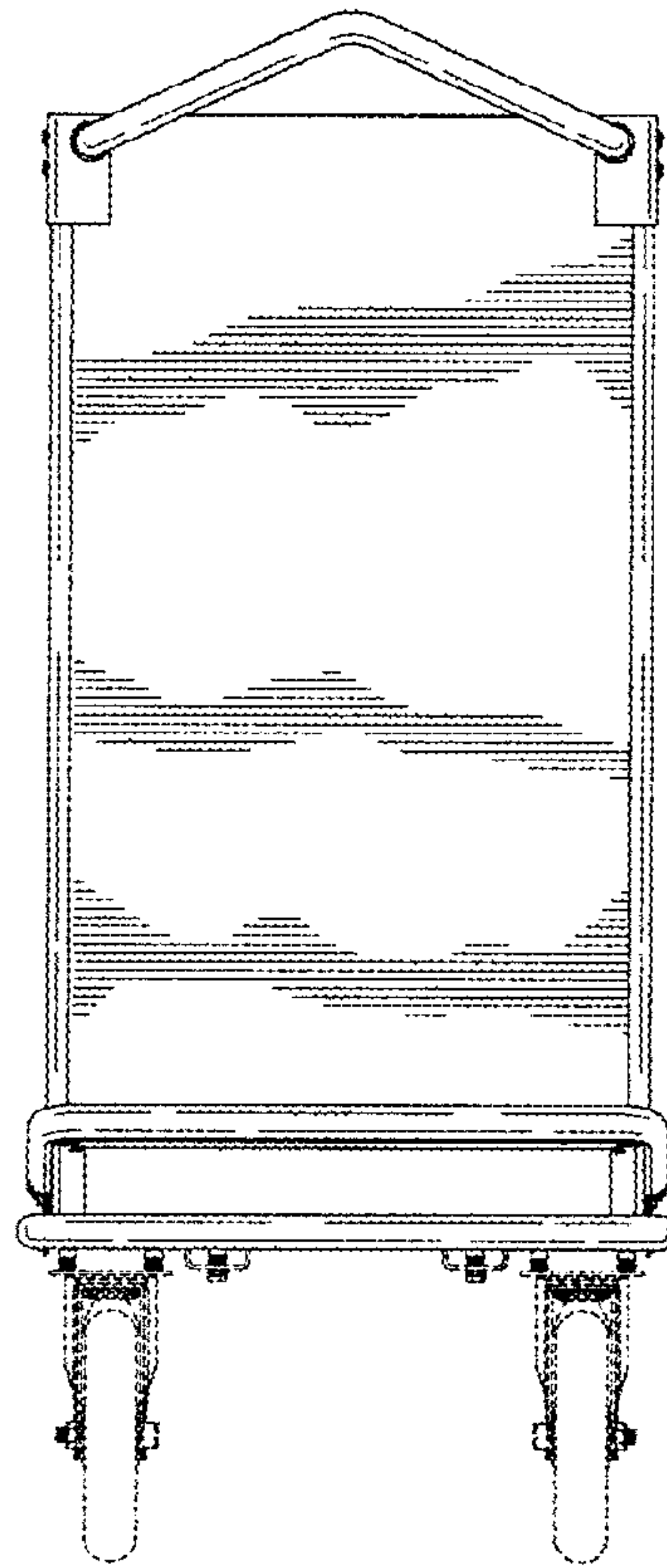


Fig. 5

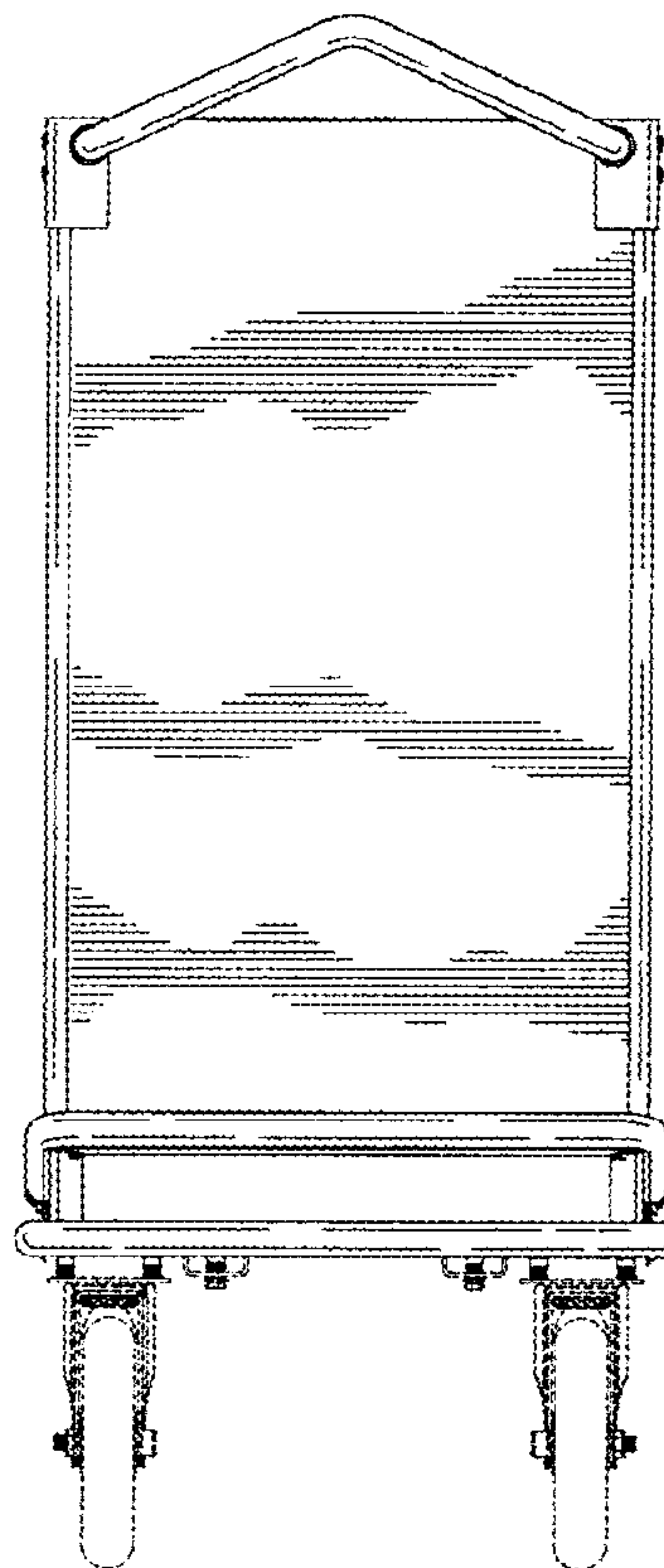


Fig. 6

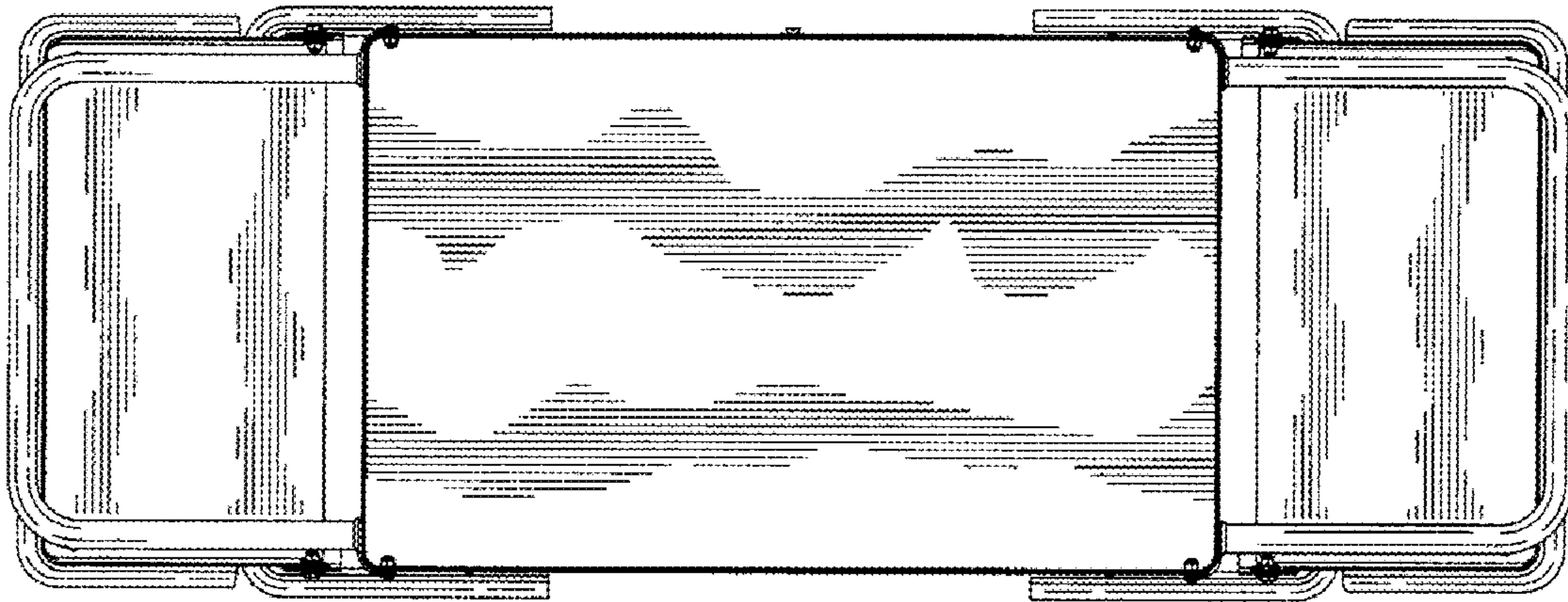


Fig. 7

