



US00D608070S

(12) **United States Design Patent**
Brown et al.

(10) **Patent No.:** **US D608,070 S**
(45) **Date of Patent:** **** Jan. 12, 2010**

(54) **ROLLING CONTAINER FOR HANDLING GOODS**

(75) Inventors: **Richie Alan Brown**, Rochdale (GB);
Peter John Canham, Rochdale (GB)

(73) Assignee: **Haywood Roto Moulding Limited**,
Rochdale (GB)

(**) Term: **14 Years**

(21) Appl. No.: **29/319,019**

(22) Filed: **Jun. 2, 2008**

(30) **Foreign Application Priority Data**

Dec. 4, 2007 (EM) 000836507-0001

(51) **LOC (9) Cl.** **12-02**

(52) **U.S. Cl.** **D34/19**

(58) **Field of Classification Search** D34/12-27,
D34/38; 280/43.17, 79.3, 79.11; 211/182
See application file for complete search history.

(56) **References Cited**

U.S. PATENT DOCUMENTS

- D206,481 S * 12/1966 McKay D34/19
- 3,379,482 A * 4/1968 Baggott 312/111
- D234,254 S * 2/1975 Mead D34/25
- 4,118,048 A * 10/1978 Spranger et al. 280/47.35
- D257,965 S * 1/1981 Bacskay D34/19
- D320,683 S * 10/1991 Welch D34/19

- D393,128 S * 3/1998 Maddux D34/14
- D411,044 S * 6/1999 Maddux et al. D34/20
- D483,540 S * 12/2003 Murray et al. D34/21
- D524,007 S * 6/2006 Palmer D34/19
- 7,293,785 B2 * 11/2007 Bush et al. 280/47.34
- 7,360,784 B2 * 4/2008 Stewart et al. 280/656
- 7,562,897 B1 * 7/2009 Sherman et al. 280/651
- 2006/0119060 A1 * 6/2006 Sullivan et al. 280/79.11

* cited by examiner

Primary Examiner—Cynthia E Ramirez

(74) *Attorney, Agent, or Firm*—Egbert Law Offices PLLC

(57) **CLAIM**

The ornamental design for a rolling container for handling goods, as shown and described.

DESCRIPTION

FIG. 1 is a front perspective view of the rolling container for handling goods showing my design.

FIG. 2 is a side elevation view thereof, an opposite side view being a mirror image thereof;

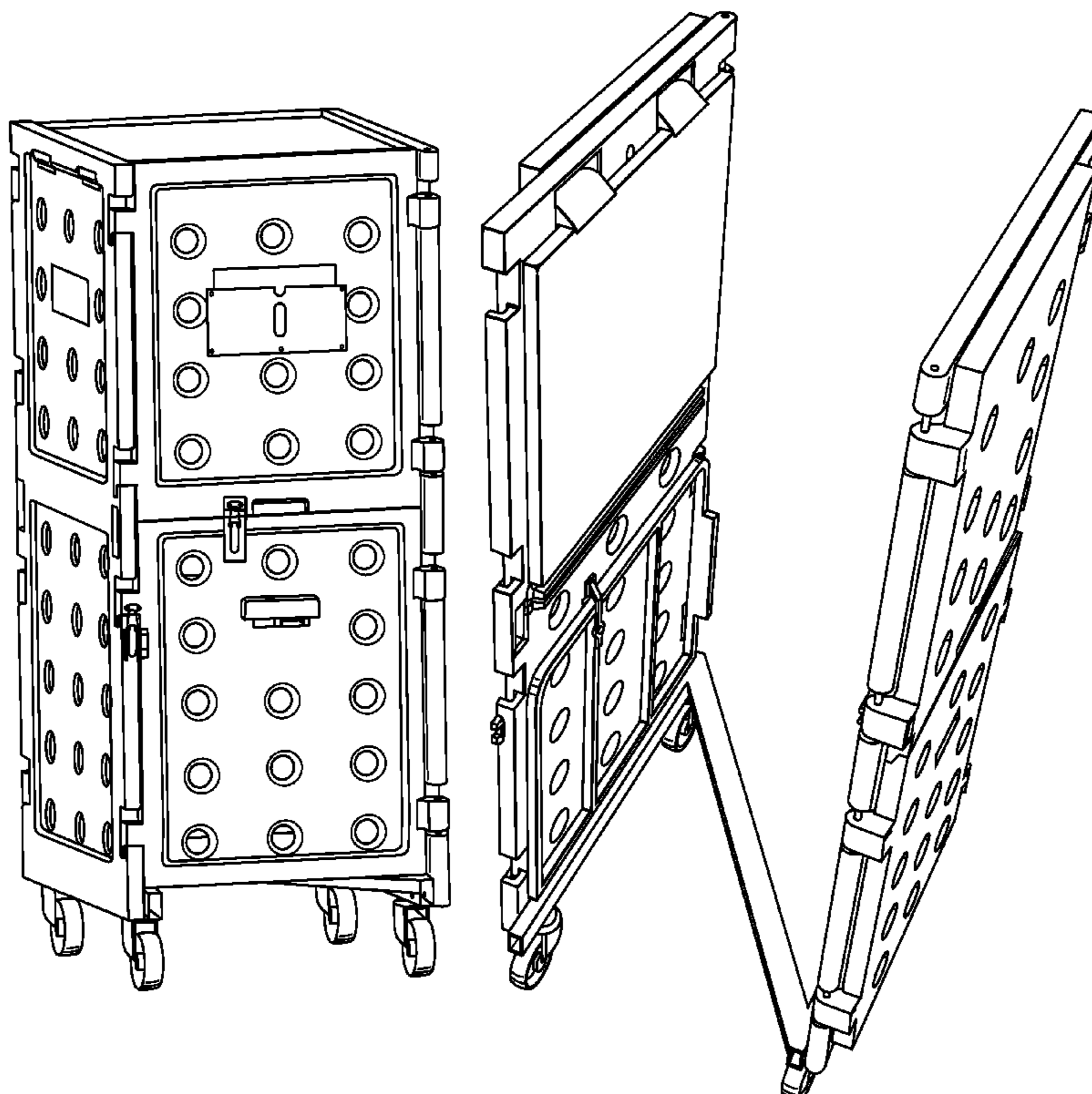
FIG. 3 is a front elevation view thereof;

FIG. 4 is a back elevation view thereof;

FIG. 5 is an upper perspective view, showing a folded position of the front and back side panels thereof; and,

FIG. 6 is a side perspective view, showing a folded position of the front and back side panels thereof.

1 Claim, 6 Drawing Sheets



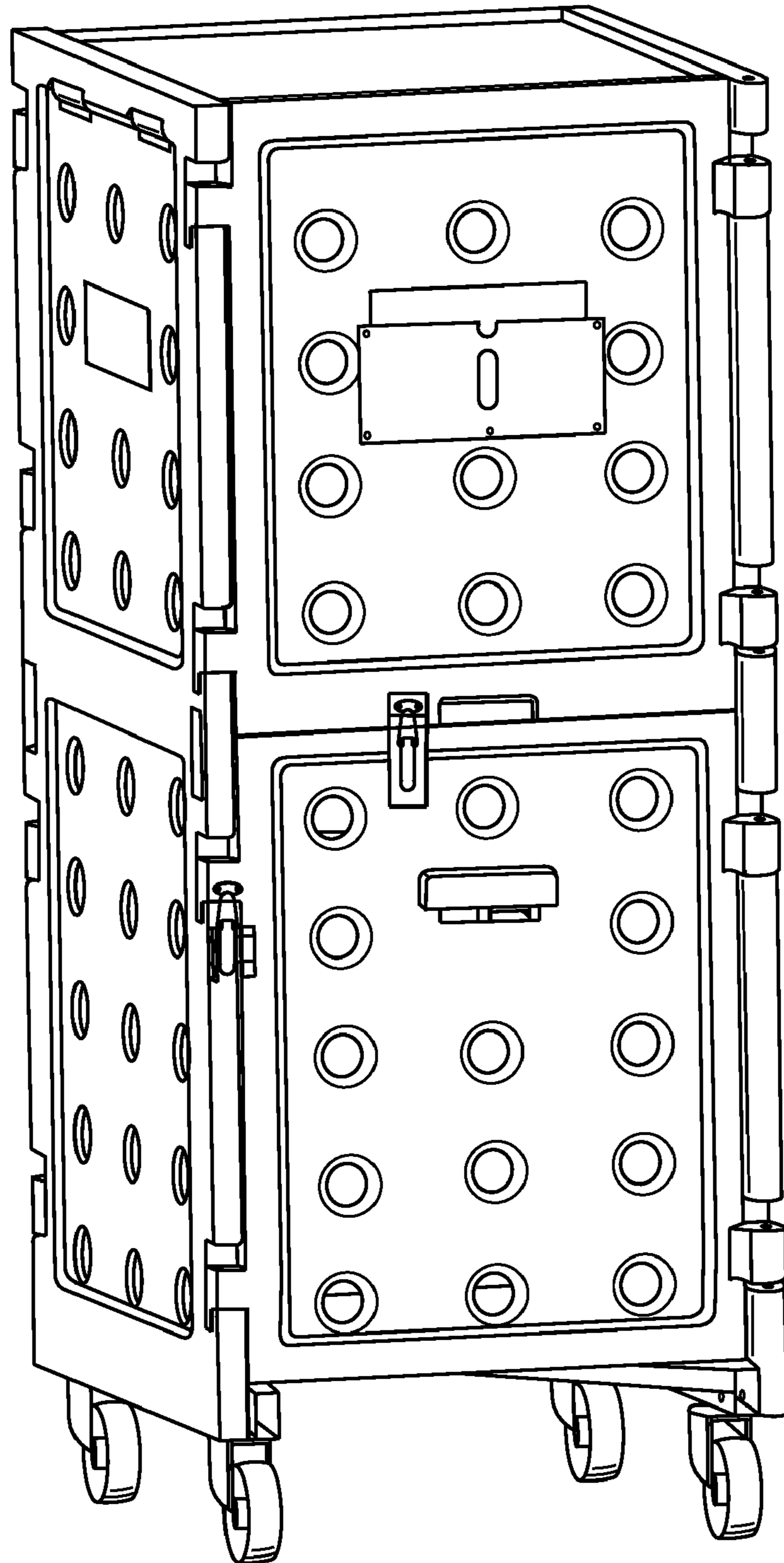


Fig. 1

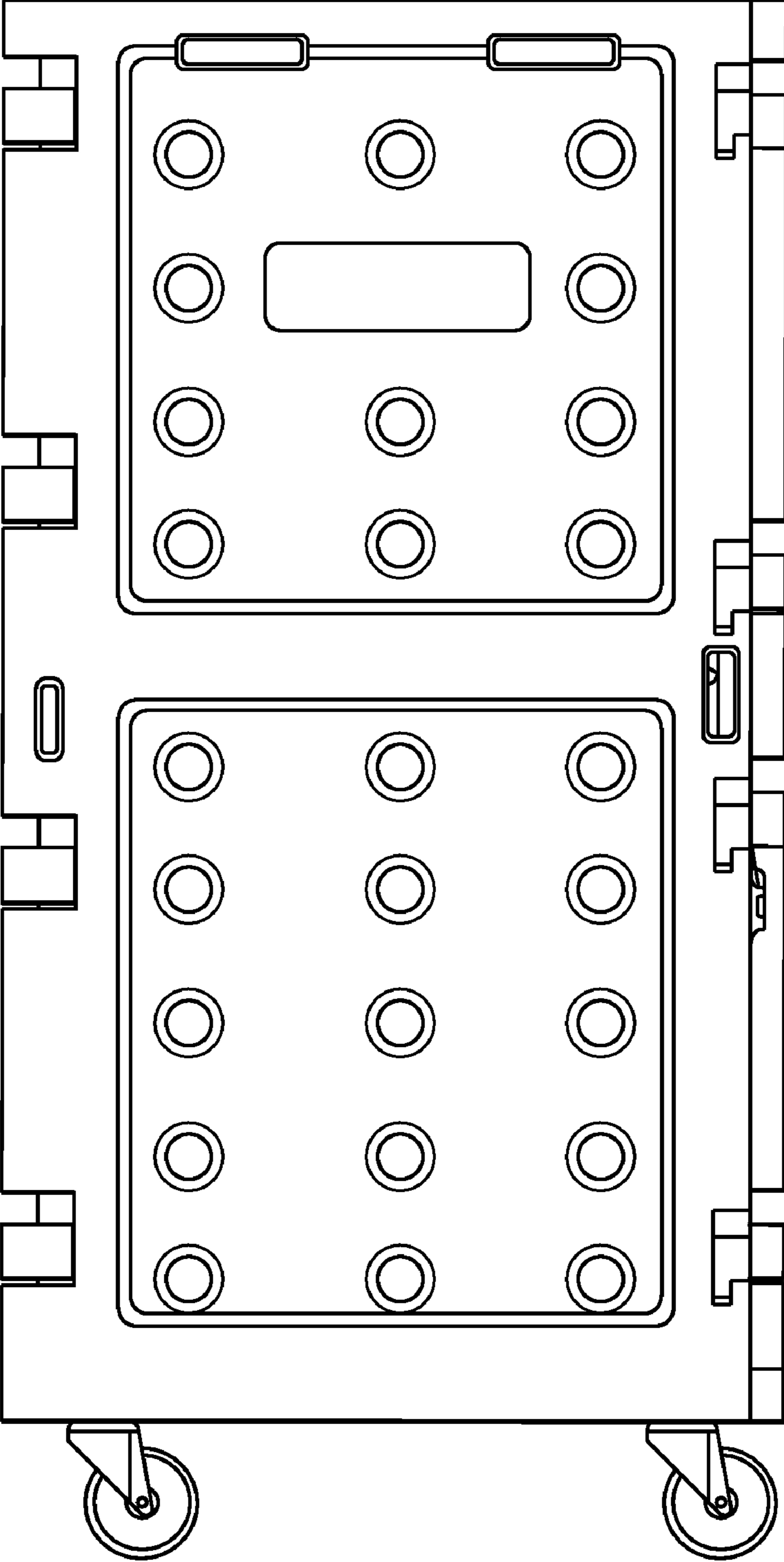


Fig. 2

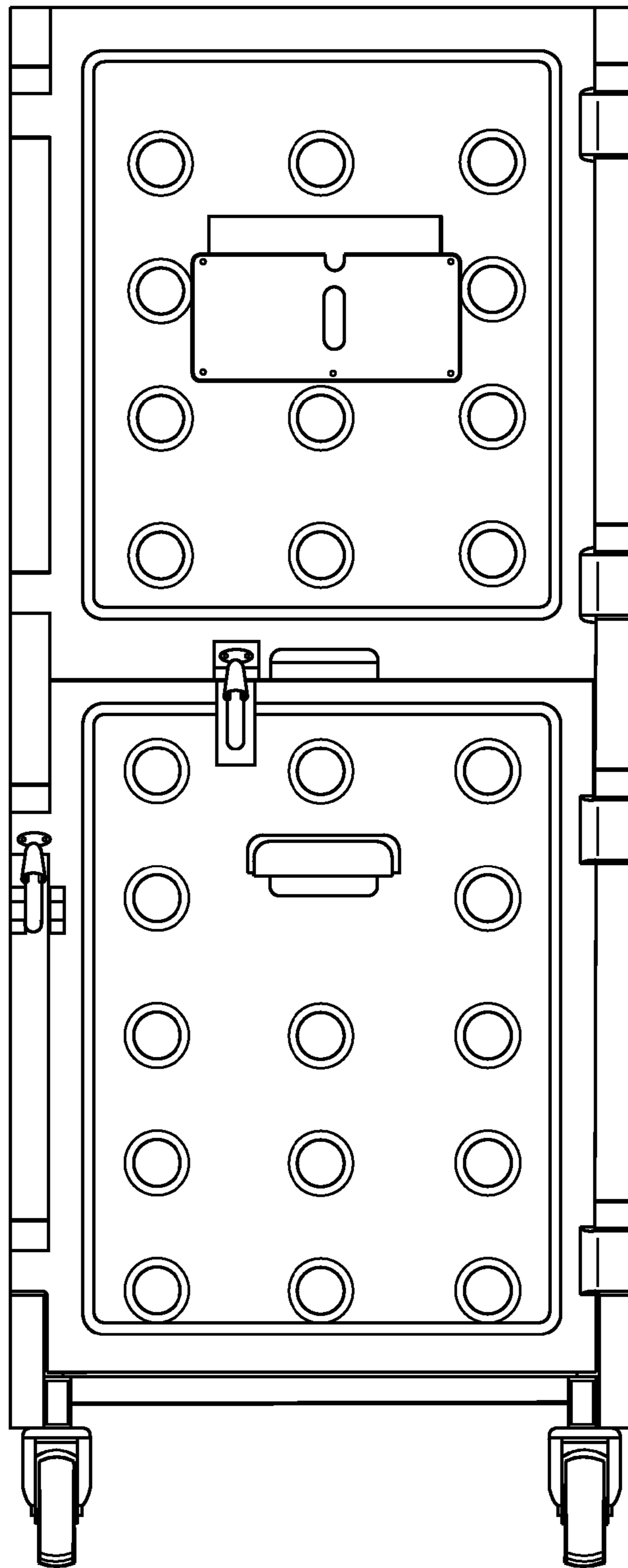


Fig. 3

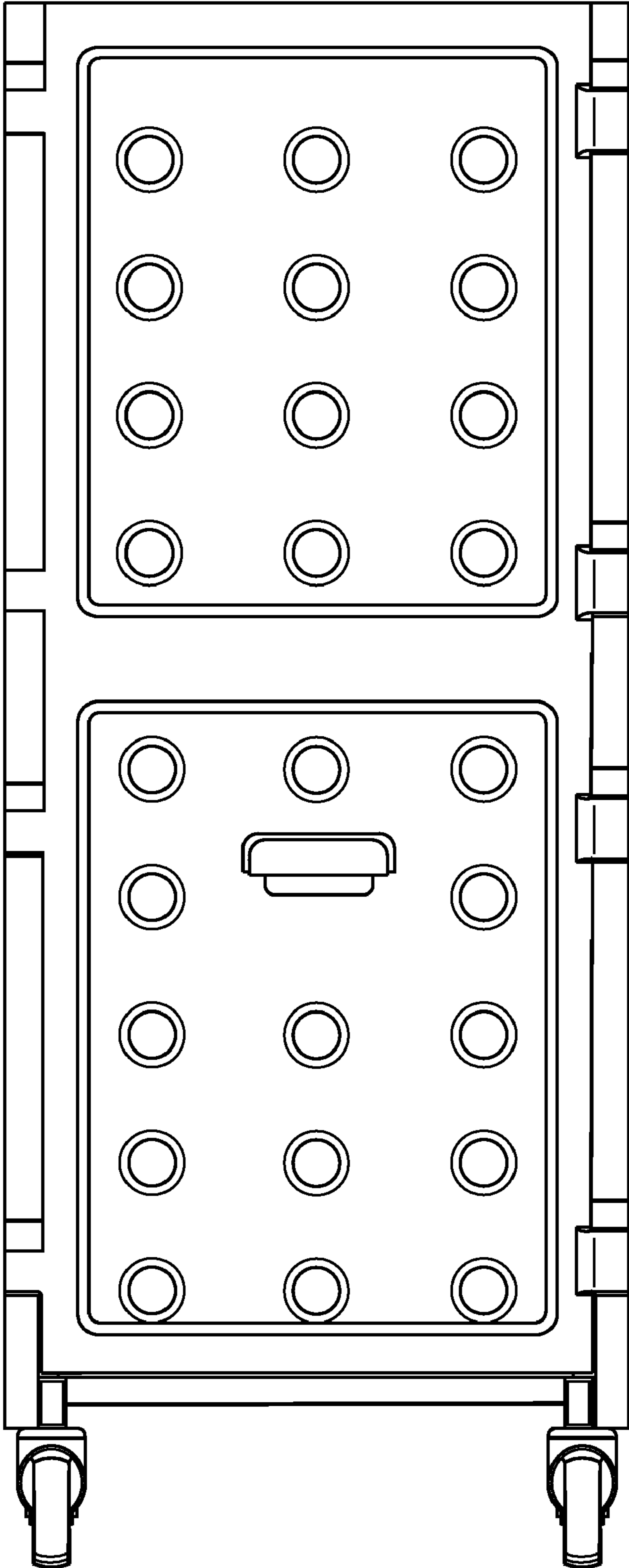


Fig. 4

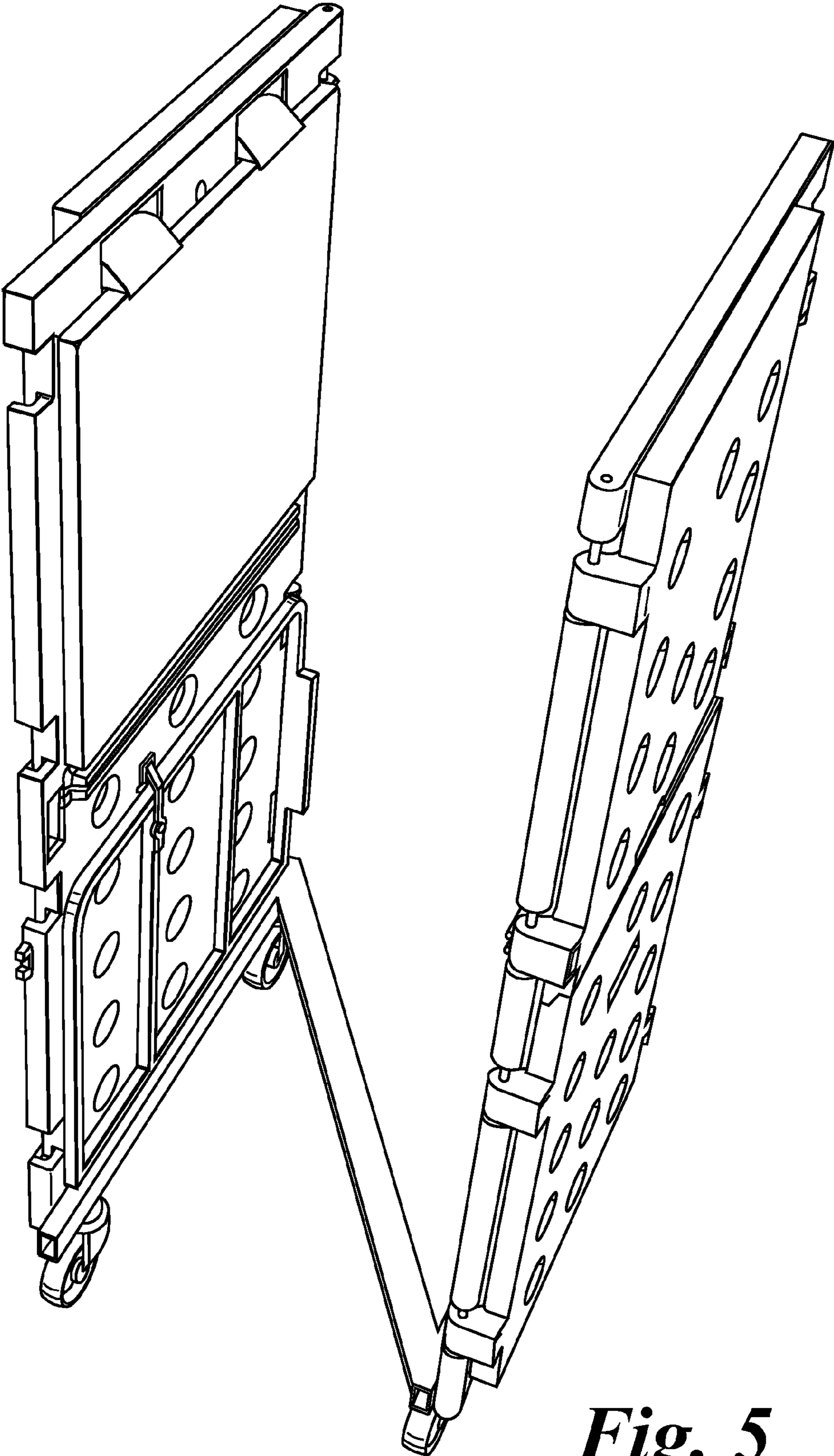


Fig. 5

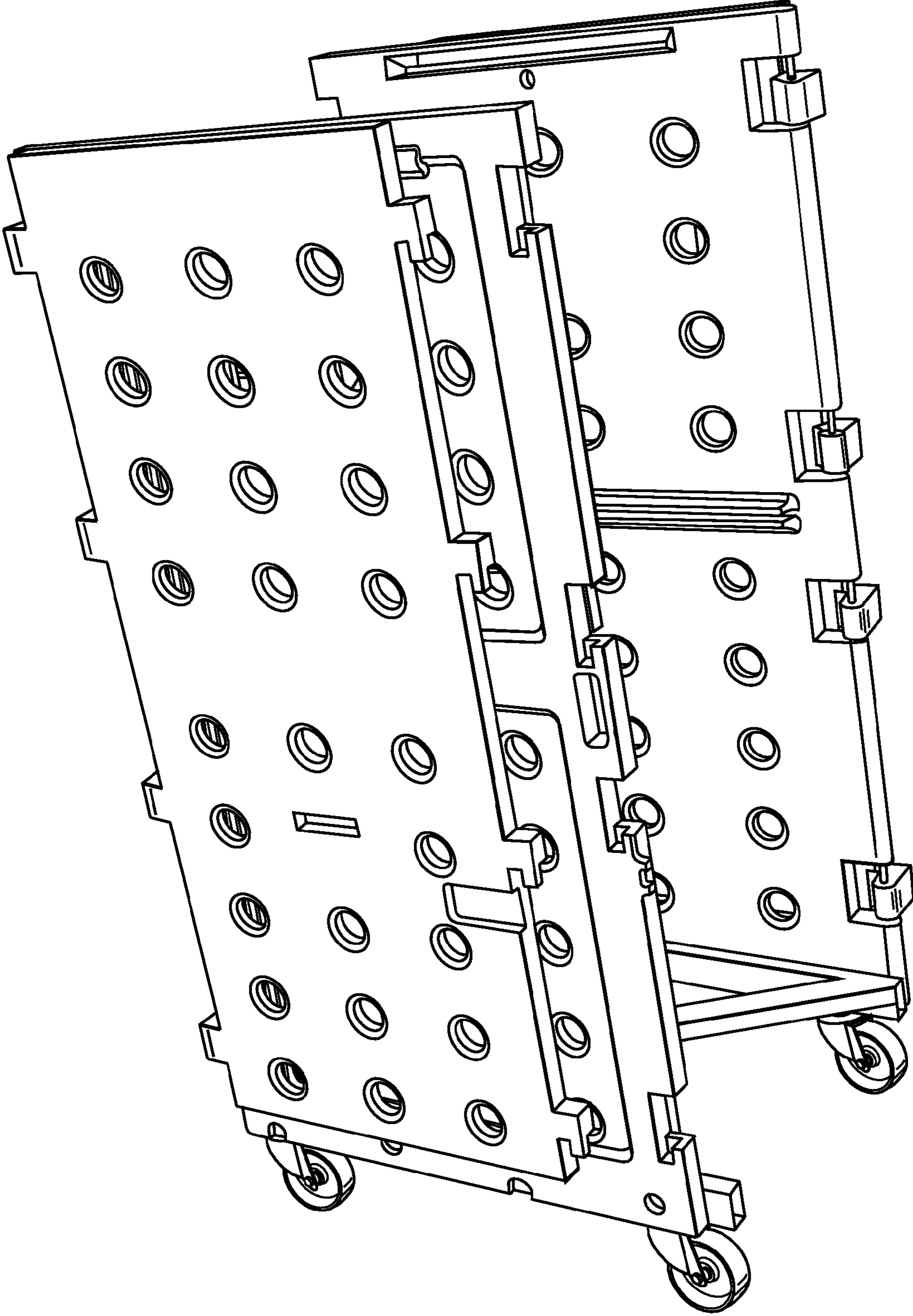


Fig. 6