



US00D608068S

(12) **United States Design Patent**
Choi

(10) **Patent No.:** **US D608,068 S**
(45) **Date of Patent:** **** Jan. 12, 2010**

(54) **ELECTRIC IRON**

(76) Inventor: **Lung Wai Choi**, Block A & C, 2/F, Gee
Chang Industrial Building, 108 Lock
Shan Road, Tokwawan, Kowloon (HK)

(**) Term: **14 Years**

(21) Appl. No.: **29/336,709**

(22) Filed: **May 7, 2009**

(51) **LOC (9) Cl.** **07-05**

(52) **U.S. Cl.** **D32/70**

(58) **Field of Classification Search** D32/68-73;
38/69, 74-75, 77.1-77.9, 79, 88, 90, 93;
219/245-252, 259

See application file for complete search history.

(56) **References Cited**

U.S. PATENT DOCUMENTS

D326,940 S *	6/1992	Barrault	D32/70
D369,005 S *	4/1996	Stutzer et al.	D32/70
D376,233 S *	12/1996	Clouet	D32/70
5,924,225 A *	7/1999	Hall et al.	38/88
D428,228 S *	7/2000	Saltet	D32/70
D463,640 S *	9/2002	Choi	D32/70
D463,891 S *	10/2002	Choi	D32/70
D481,503 S *	10/2003	Choi	D32/70

D487,603 S *	3/2004	Renault	D32/70
D530,474 S *	10/2006	Barquin Santillan	D32/70
D546,517 S	7/2007	Choi		
D565,820 S *	4/2008	Poon	D32/70
D575,019 S	8/2008	Choi		
D576,369 S	9/2008	Choi		
D576,370 S	9/2008	Choi		
D580,119 S *	11/2008	Pino et al.	D32/70
D599,070 S *	8/2009	Hosoda et al.	D32/68

* cited by examiner

Primary Examiner—Rosemary K Tarcza

(74) *Attorney, Agent, or Firm*—Stoel Rives, LLP

(57) **CLAIM**

The ornamental design for an electric iron, as shown.

DESCRIPTION

FIG. 1 is a perspective view of the electric iron;

FIG. 2 is a front view of the electric iron;

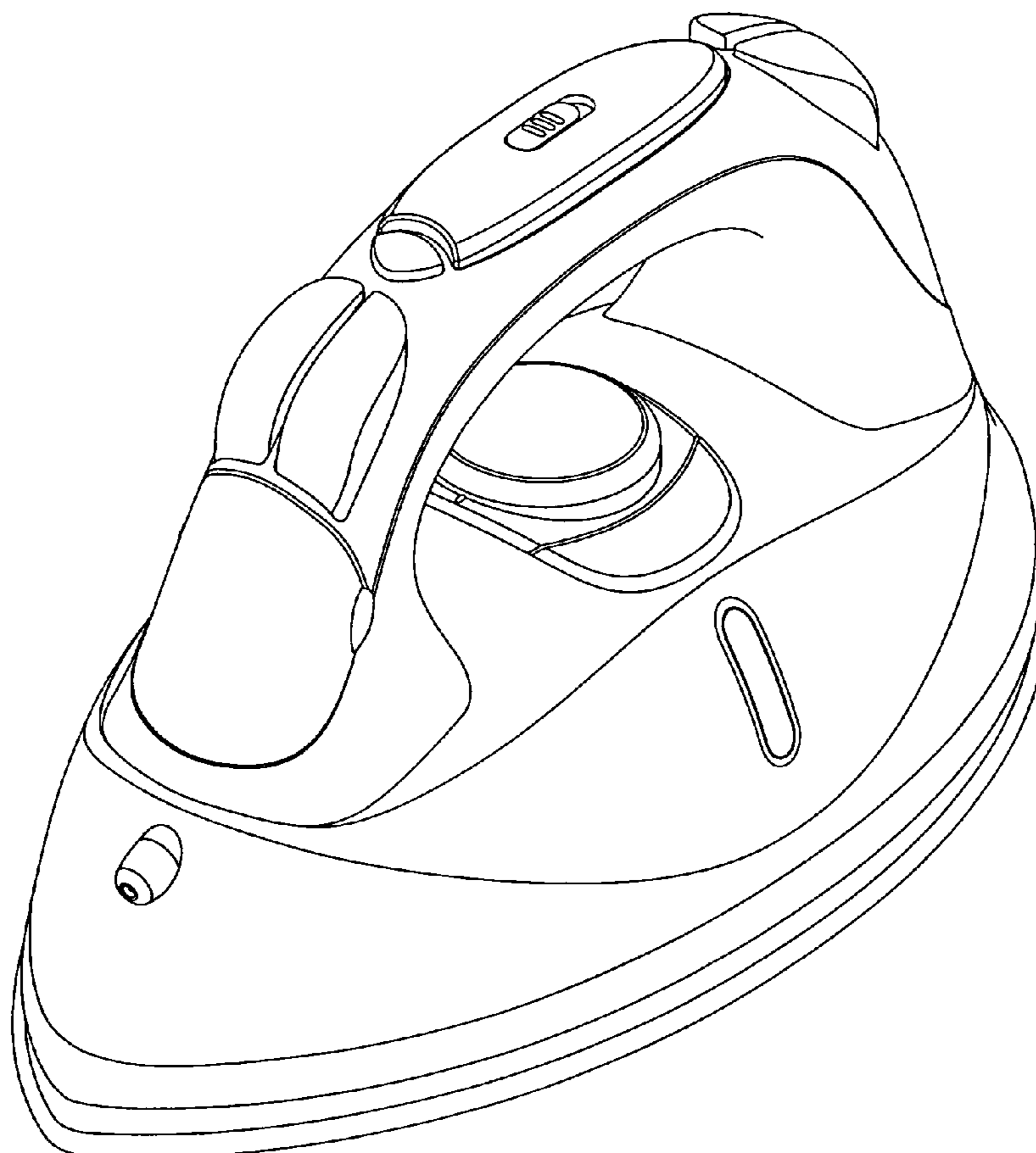
FIG. 3 is a back view of the electric iron;

FIG. 4 is a left view of the electric iron;

FIG. 5 is a right view of the electric iron; and,

FIG. 6 is a top view of the electric iron.

1 Claim, 6 Drawing Sheets



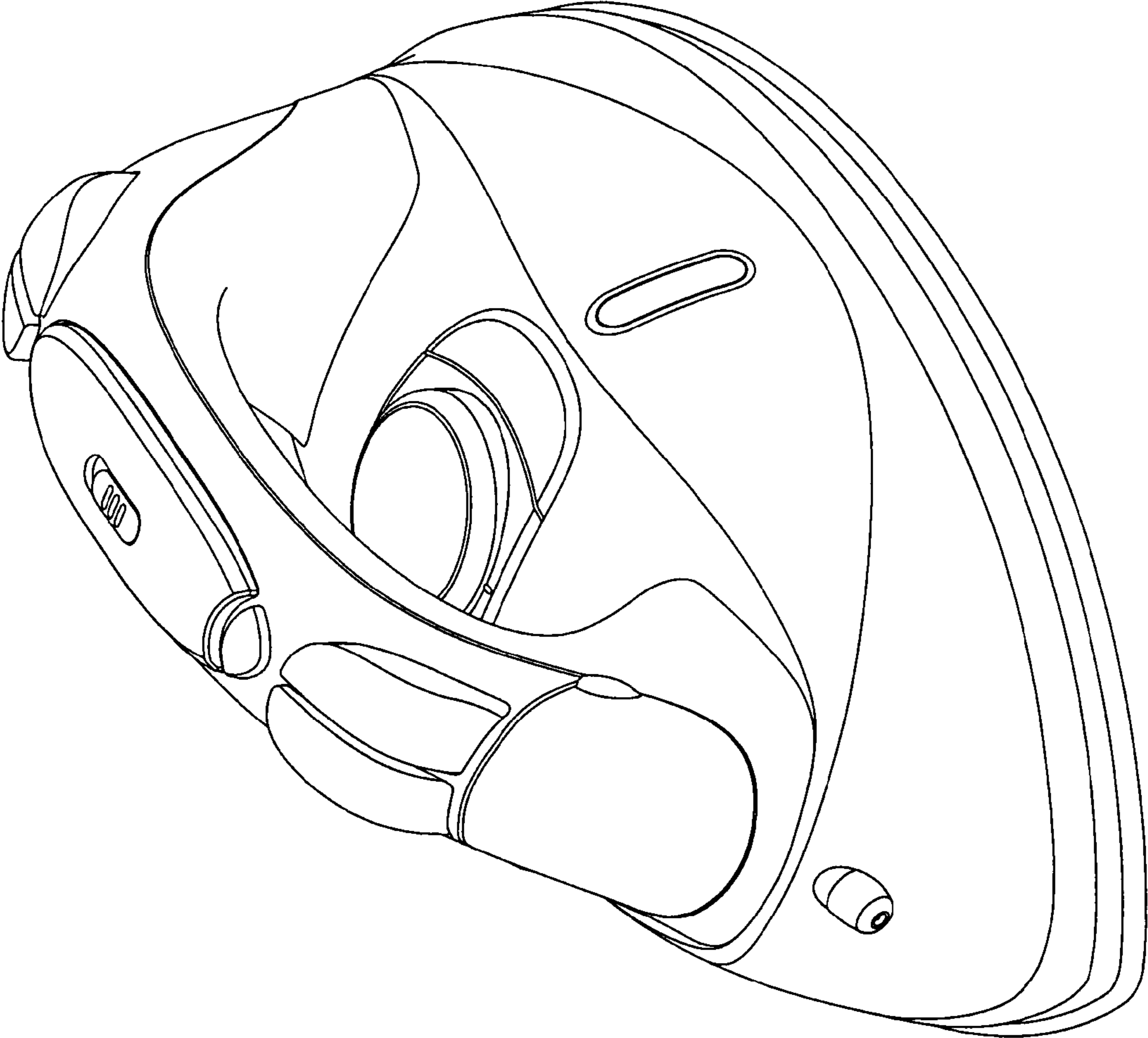


Figure 1

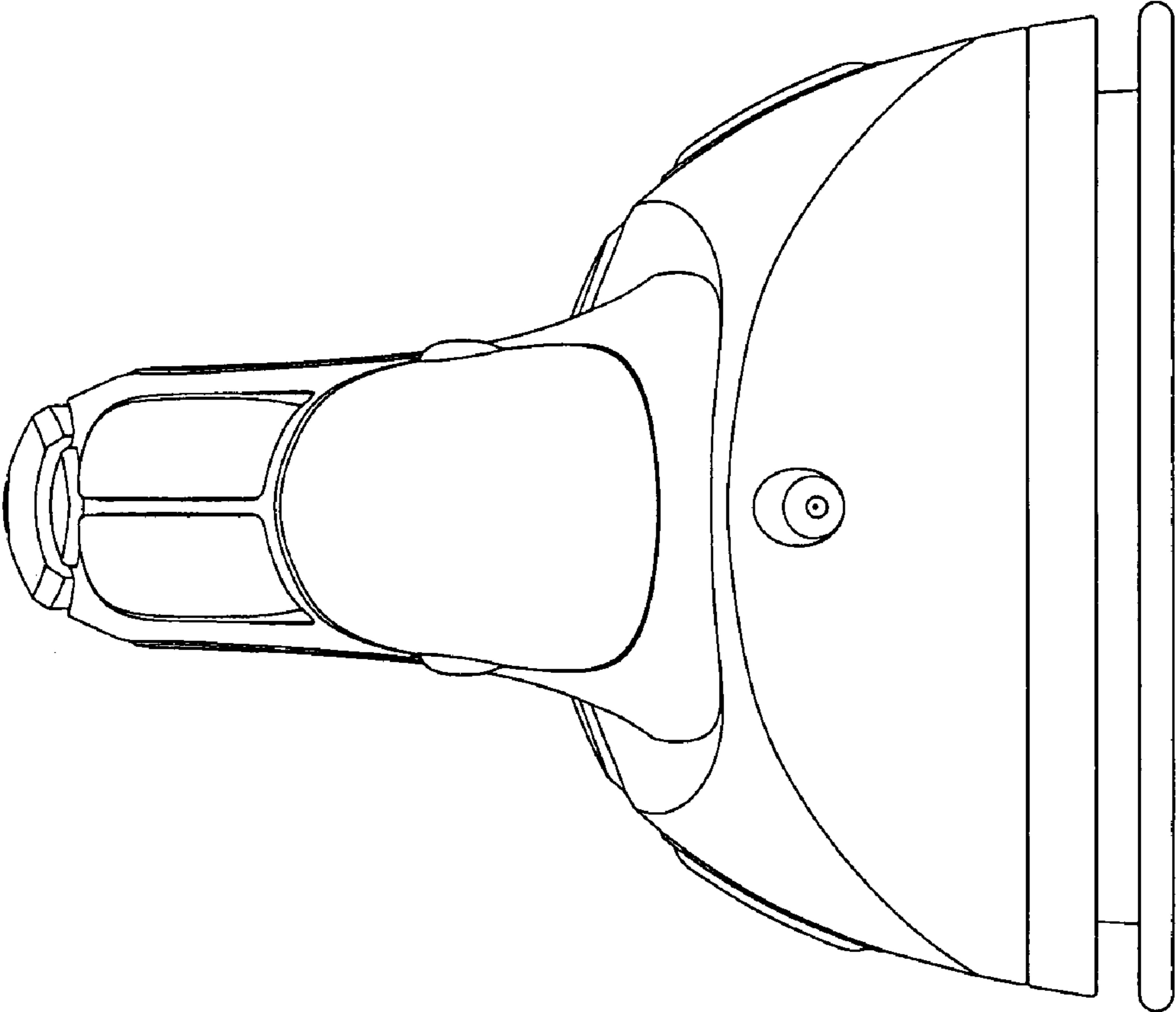


Figure 2

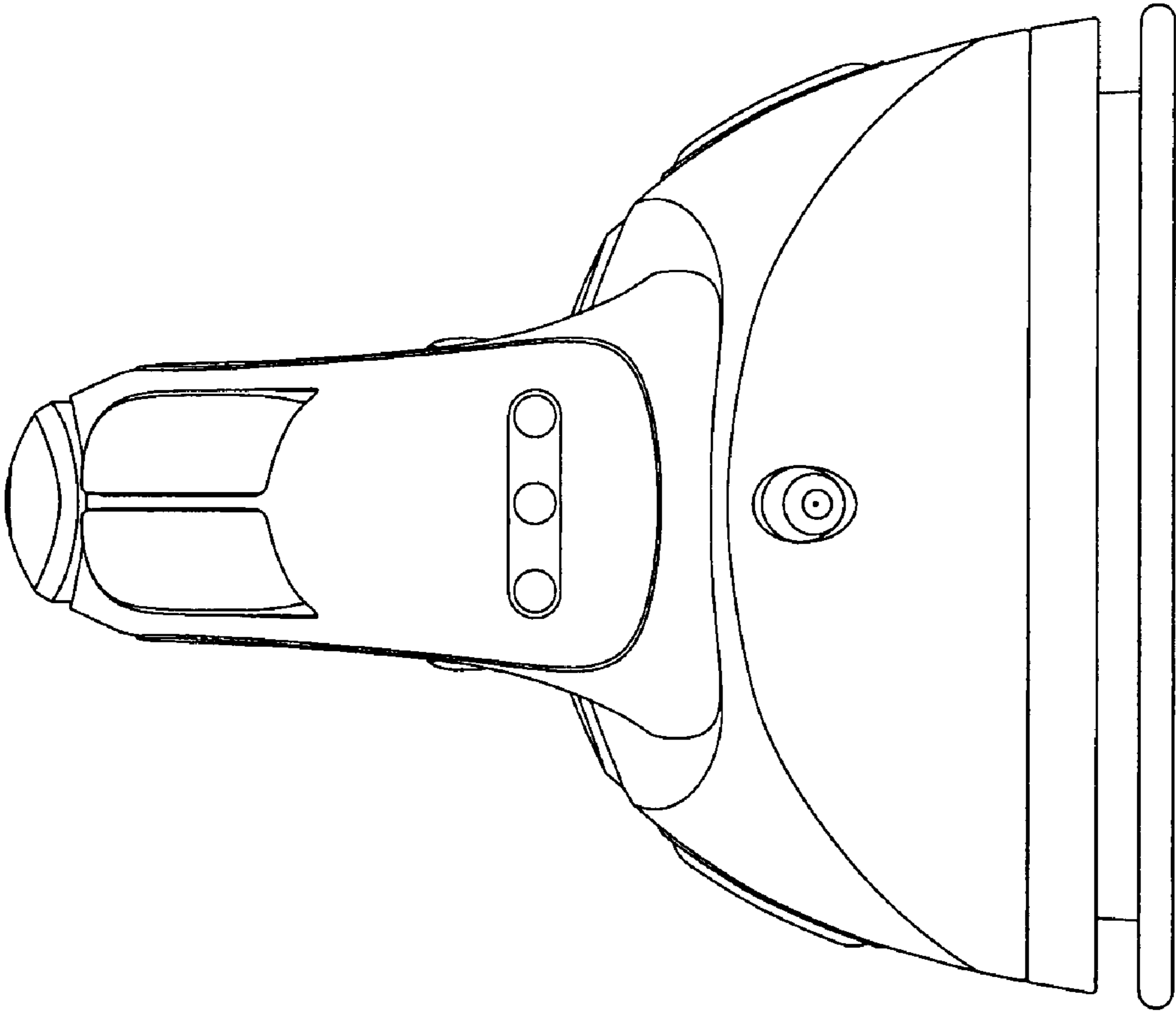


Figure 3

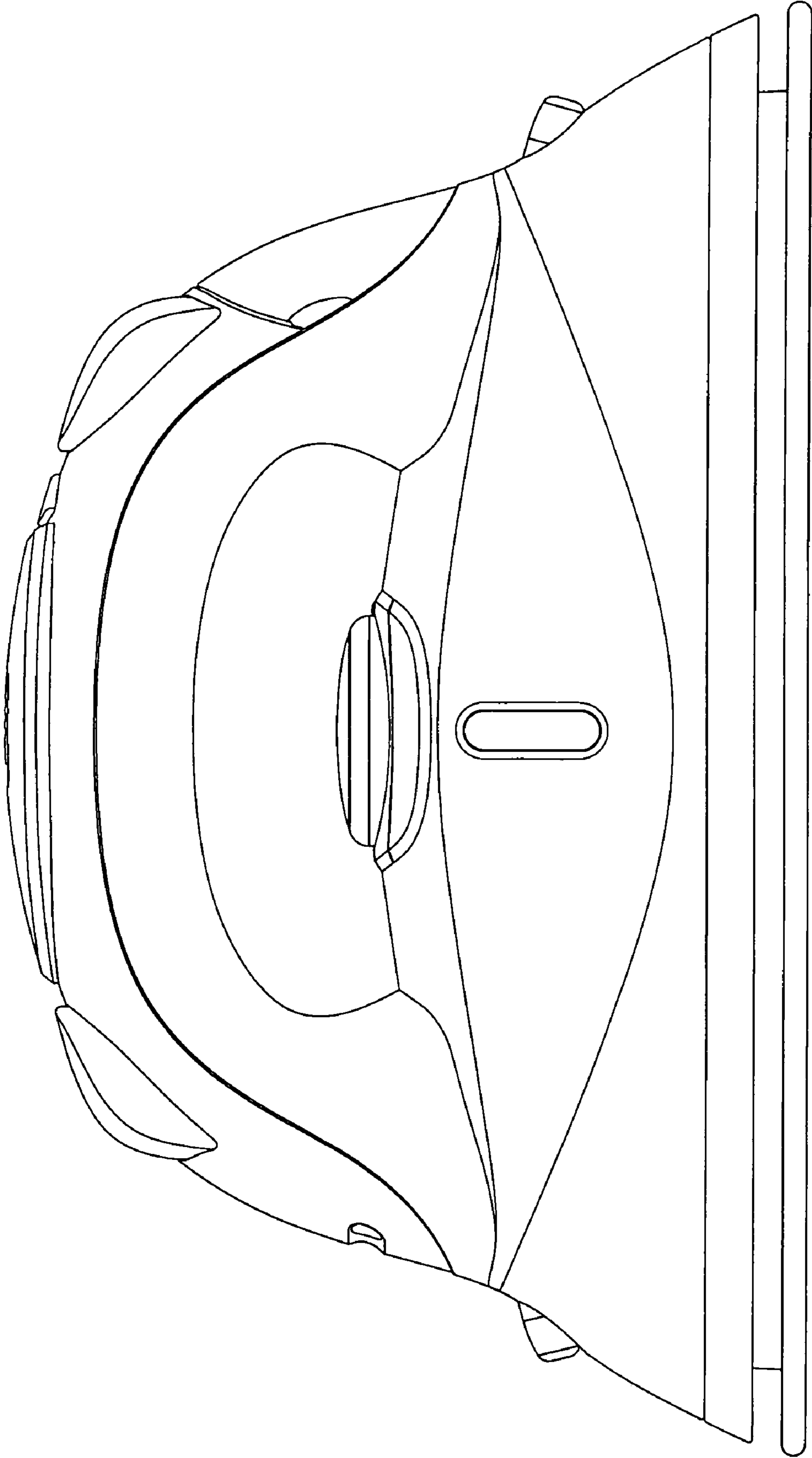


Figure 4

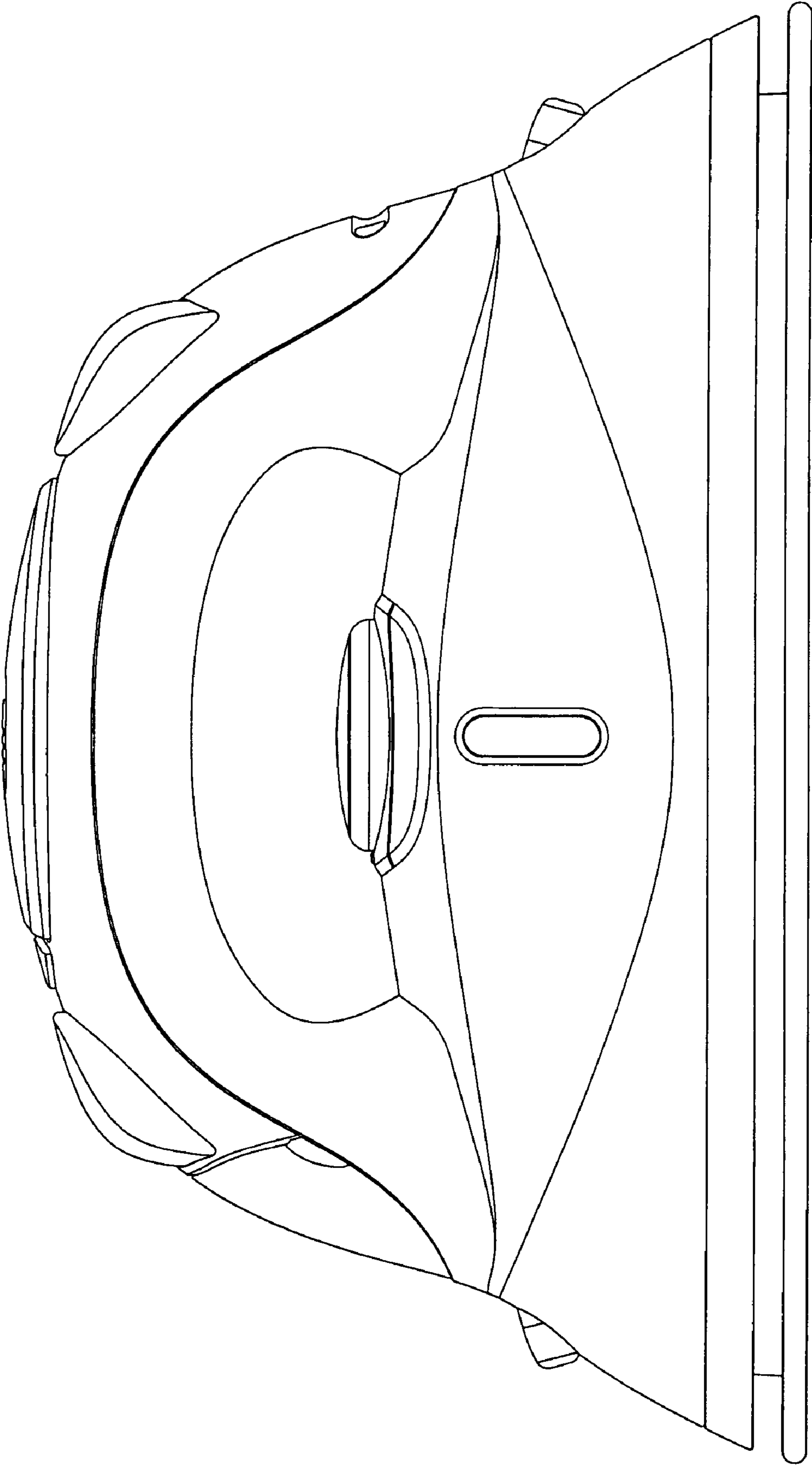


Figure 5

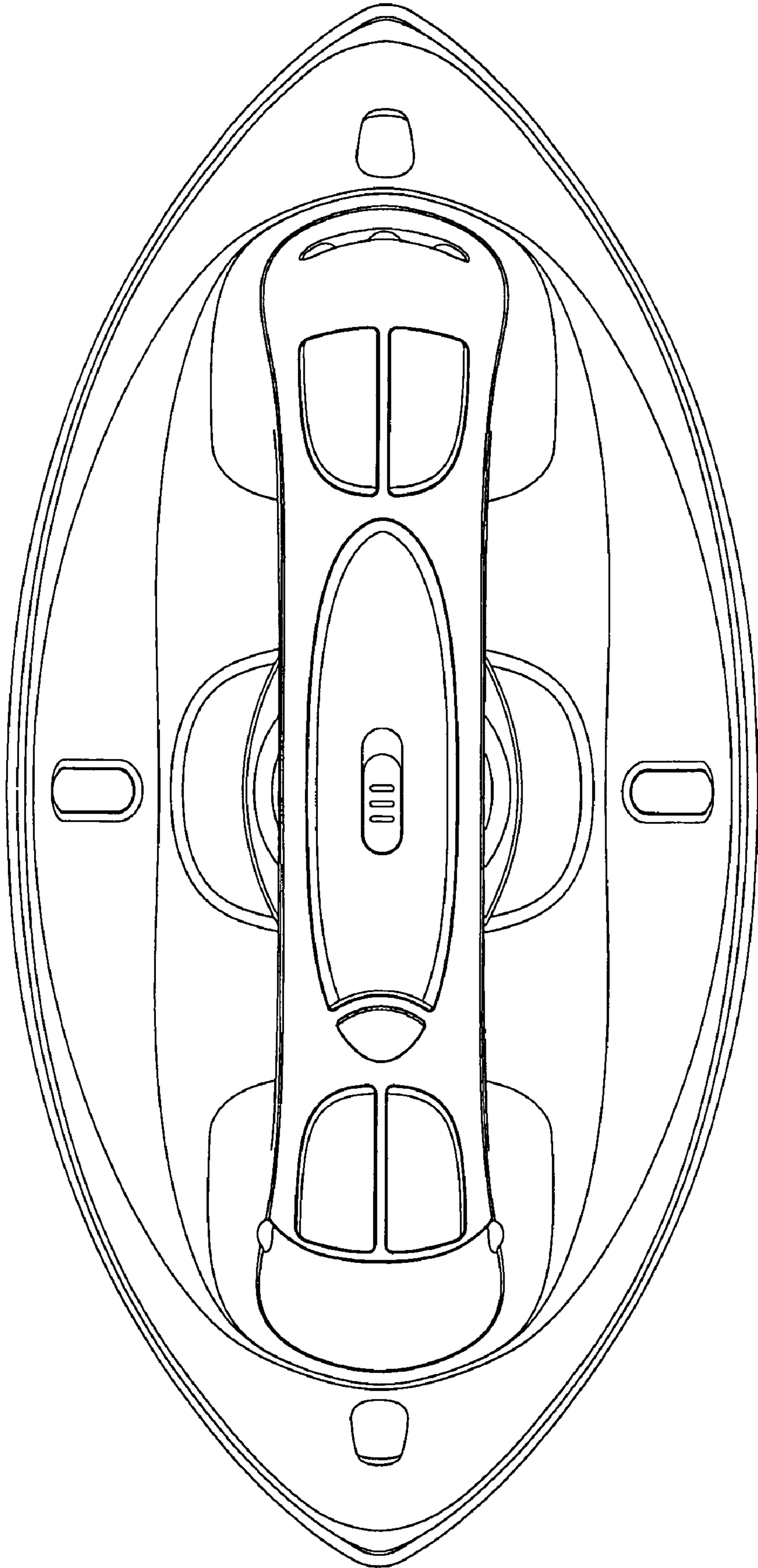


Figure 6