



US00D608067S

(12) **United States Design Patent**
Bartok

(10) **Patent No.:** **US D608,067 S**
(45) **Date of Patent:** **** Jan. 12, 2010**

(54) **PAINTBRUSH AND EDGER HOLDER**

(76) Inventor: **Joseph Ludger Bartok**, 116 Ryerson Street, Thorold, Ontario (CA) L2V 3Y3

(**) Term: **14 Years**

(21) Appl. No.: **29/337,644**

(22) Filed: **May 27, 2009**

Related U.S. Application Data

(63) Continuation-in-part of application No. 11/935,755, filed on Nov. 6, 2007.

(51) **LOC (9) Cl.** **07-07**

(52) **U.S. Cl.** **D32/54**

(58) **Field of Classification Search** D32/53,
D32/53.1, 54; 220/570, 495.01, 495.02,
220/904, 908, 694-700; 15/260, 264, 257.06;
248/110

See application file for complete search history.

(56) **References Cited**

U.S. PATENT DOCUMENTS

2,529,257	A *	11/1950	Kerby	248/110
2,676,730	A *	4/1954	Hedglon	220/697
3,536,285	A	10/1970	Vaughn		
3,729,158	A	4/1973	Nagy		
4,101,046	A	7/1978	Puntillo		
D270,771	S *	9/1983	Brown	D32/54
D300,970	S *	5/1989	Walker	D32/54
5,083,733	A	1/1992	Marino et al.		

D346,054	S *	4/1994	Spangler	D32/54
D358,914	S *	5/1995	Masse et al.	D32/54
D586,969	S *	2/2009	Graham	D32/54
2005/0156085	A1	7/2005	Radovan		
2007/0285824	A1	12/2007	Cornelissen		

* cited by examiner

Primary Examiner—Robin V Webster
(74) *Attorney, Agent, or Firm*—Steven M. Greenberg, Esq.;
Carey, Rodriguez, Greenberg & Paul, LLP

(57) **CLAIM**

The ornamental design for a paintbrush and edger holder, as shown and described.

DESCRIPTION

FIG. 1 is a front perspective view of an embodiment of the paintbrush and edger holder;

FIG. 2 is a rear perspective view thereof;

FIG. 3 is a side view thereof;

FIG. 4 is a front view thereof;

FIG. 5 is a side view thereof;

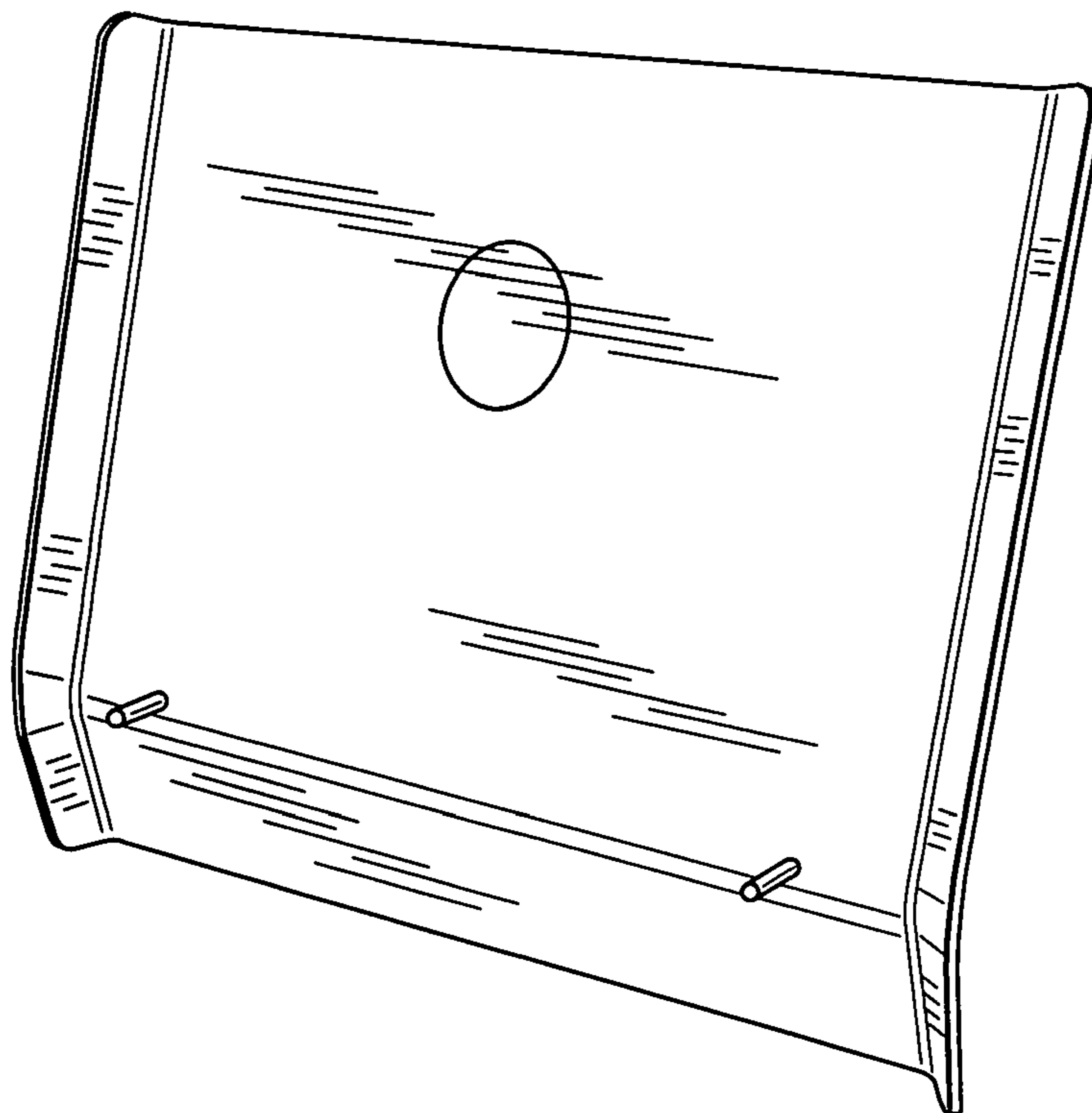
FIG. 6 is rear view thereof;

FIG. 7 is a top view thereof; and,

FIG. 8 is a bottom view thereof.

This design is directed to an ornamental design for a paintbrush and edger holder.

1 Claim, 4 Drawing Sheets



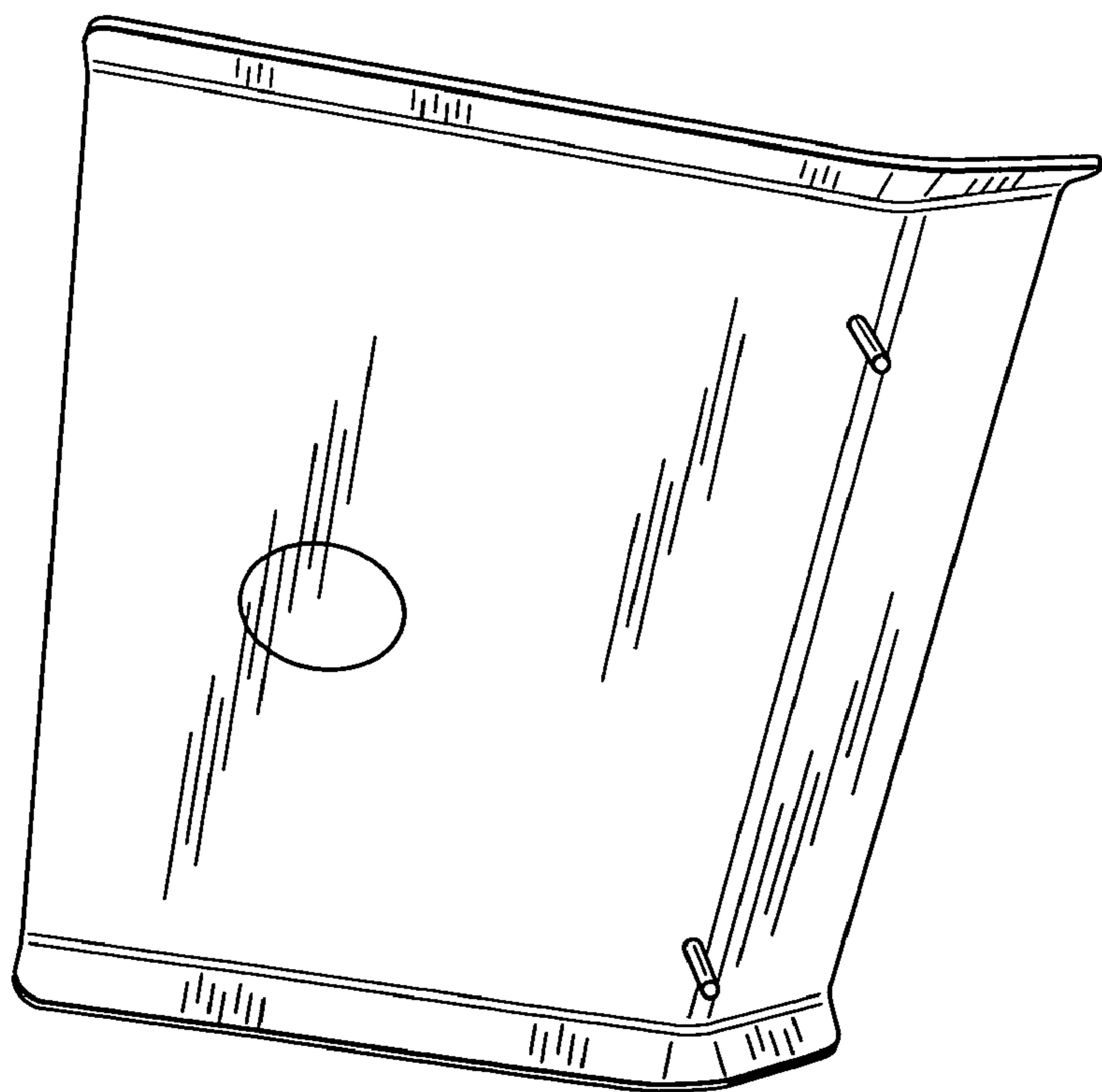


FIG. 1

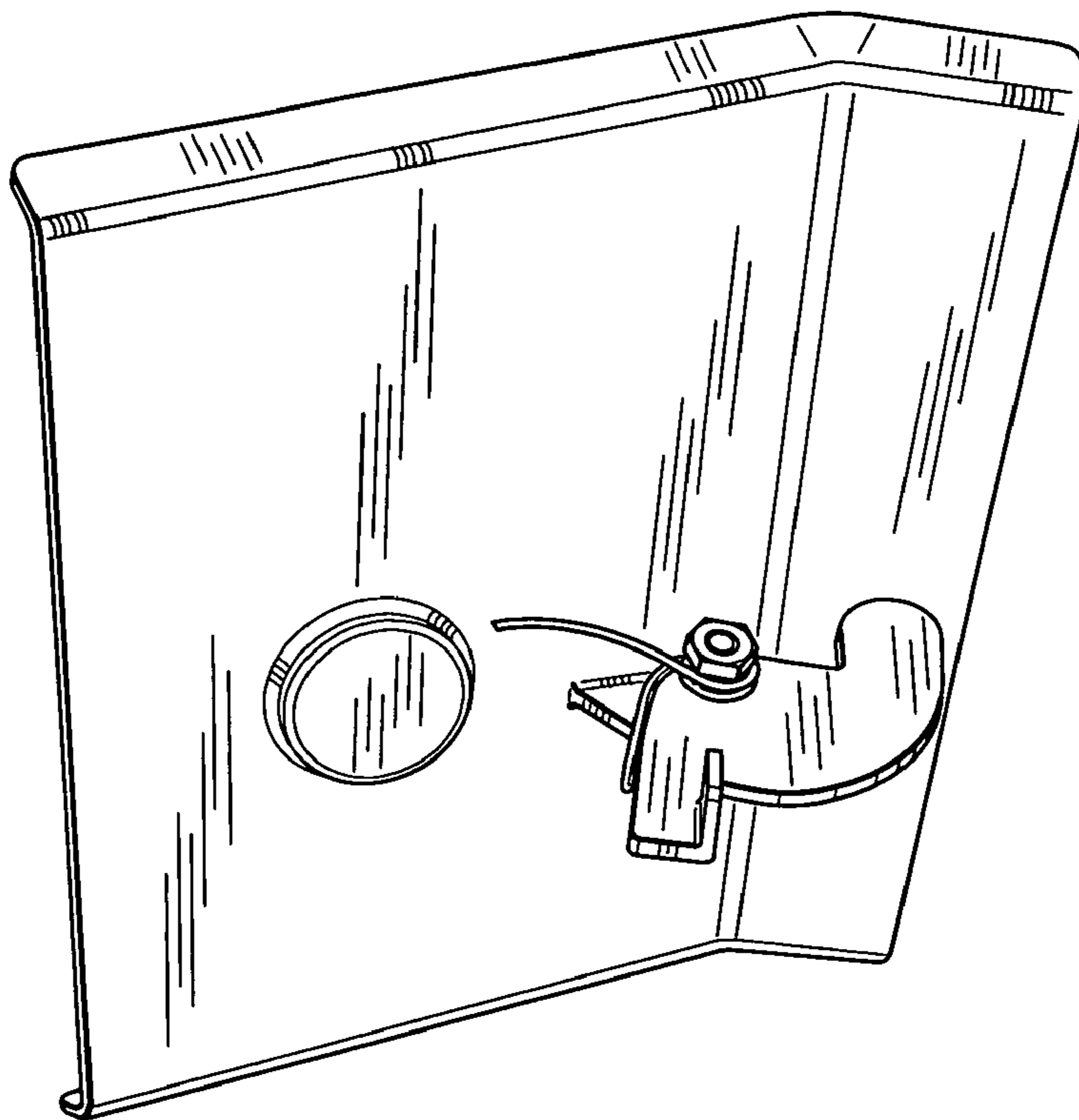


FIG. 2

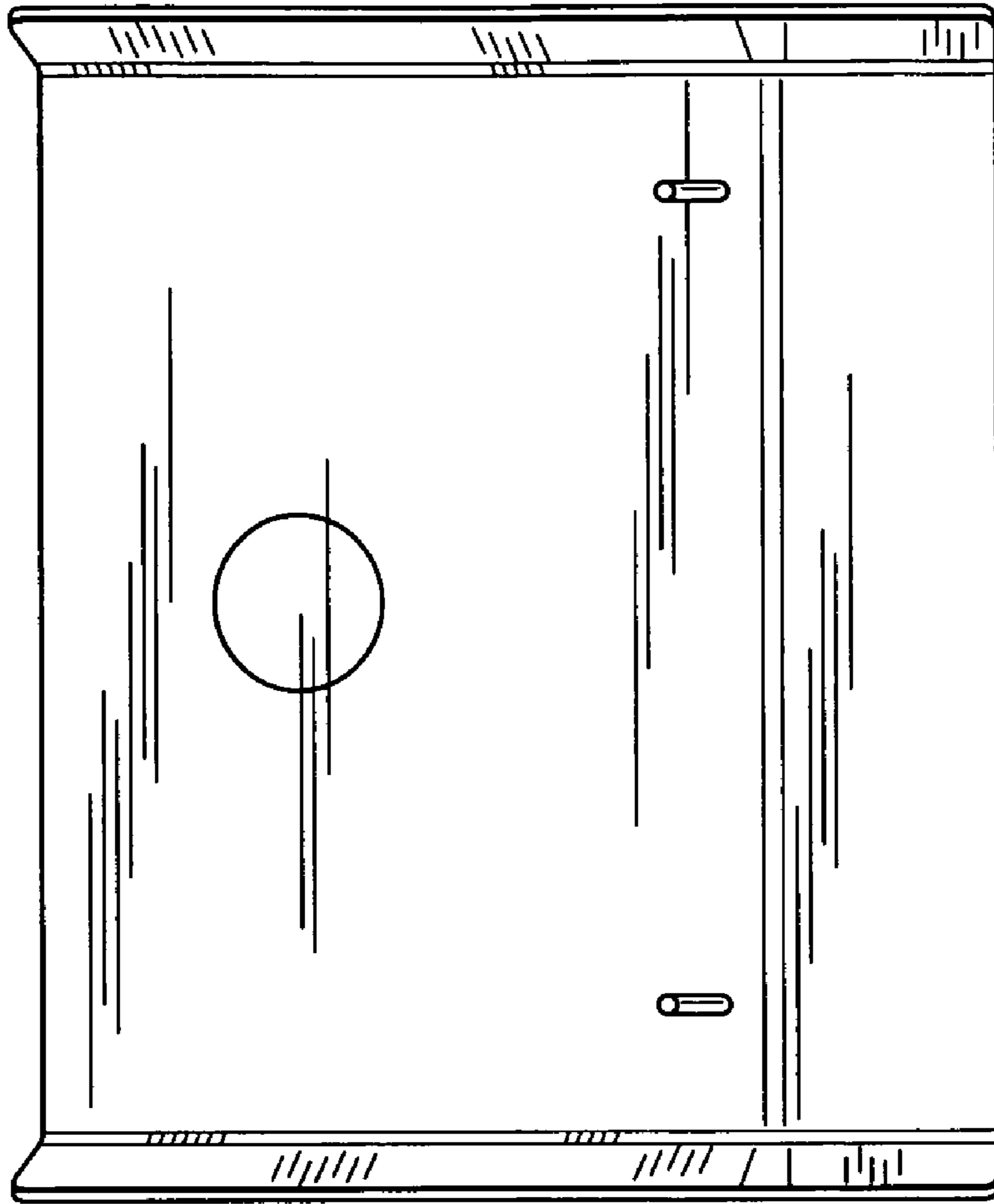


FIG. 4

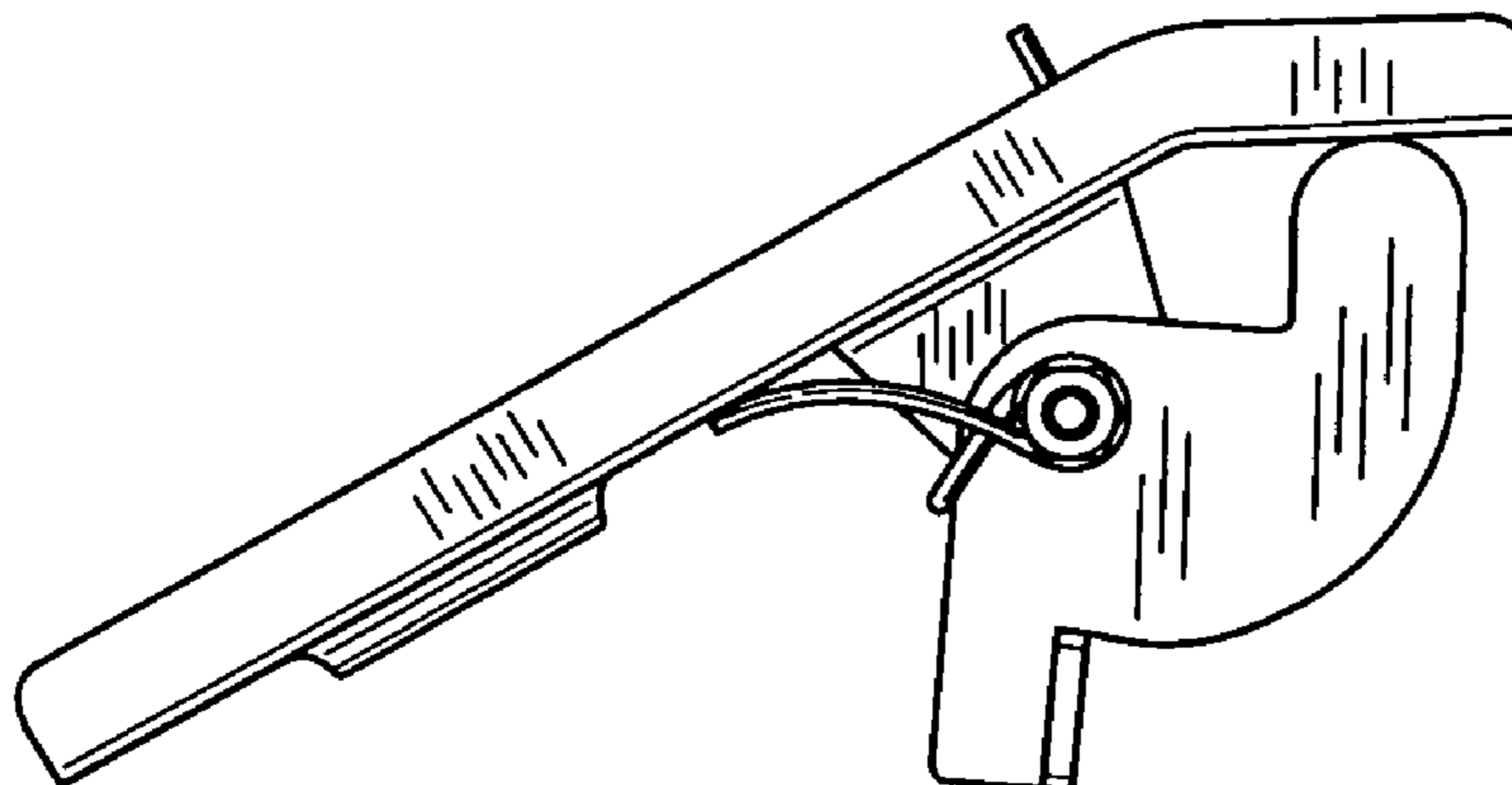


FIG. 3

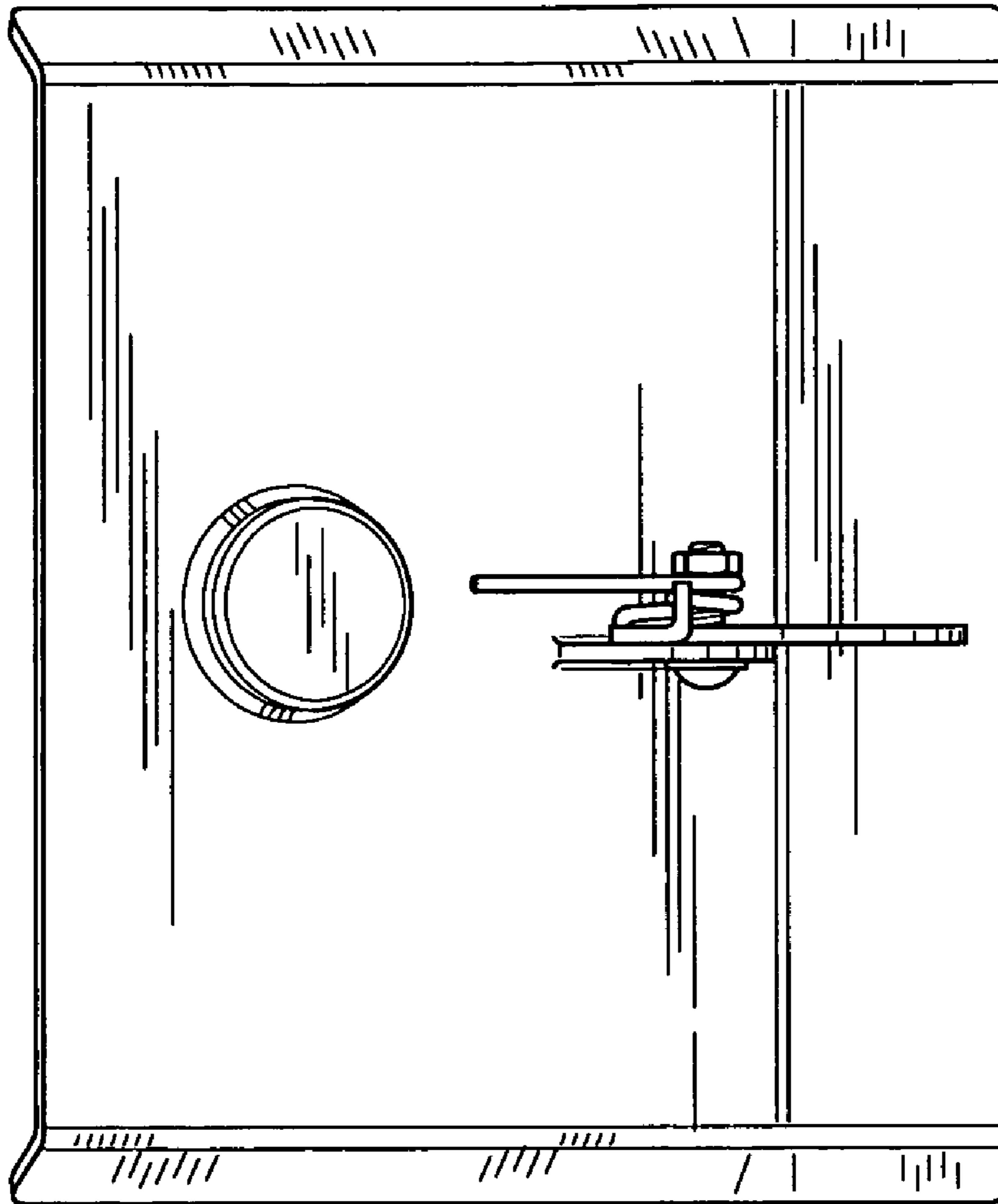


FIG. 6

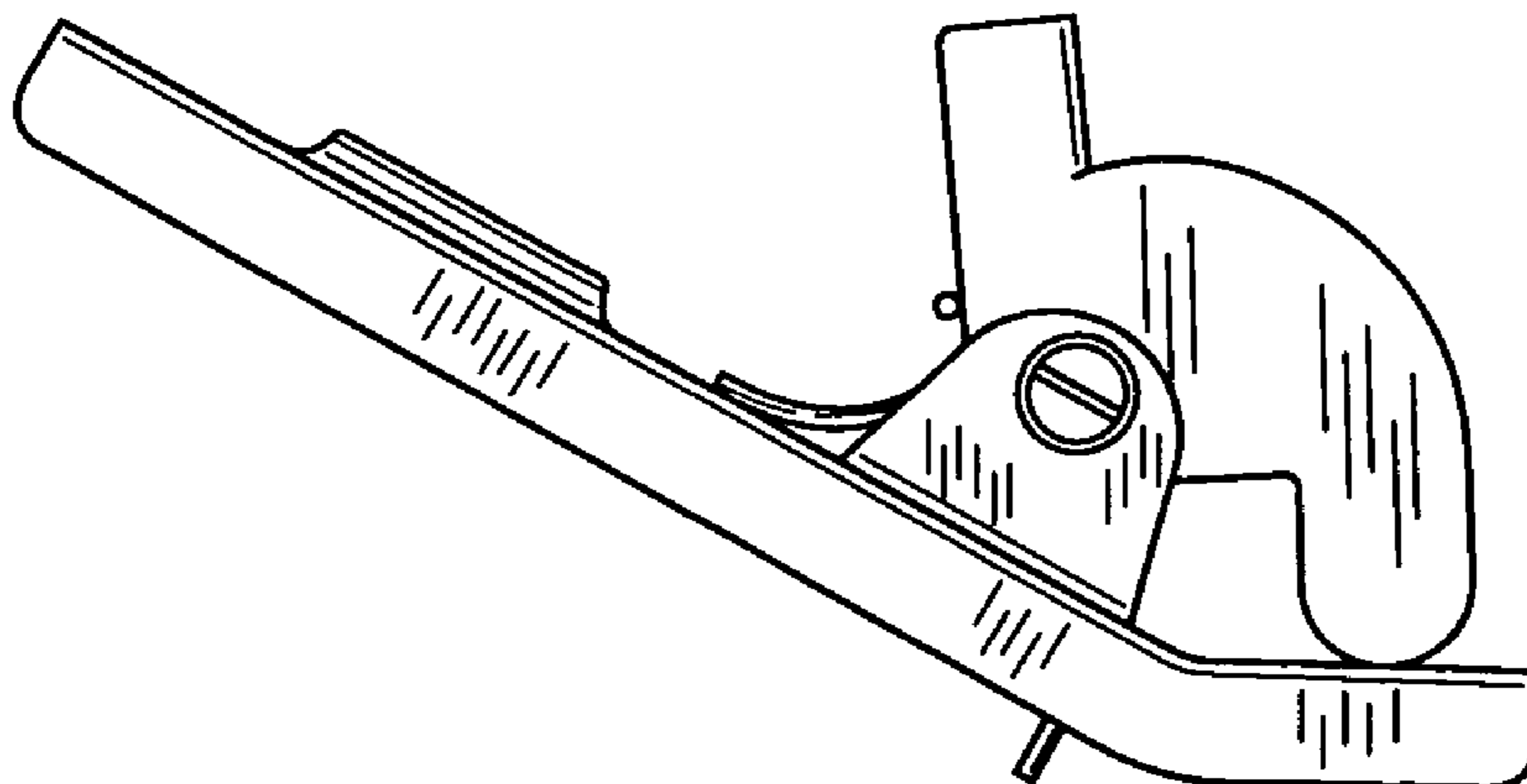


FIG. 5

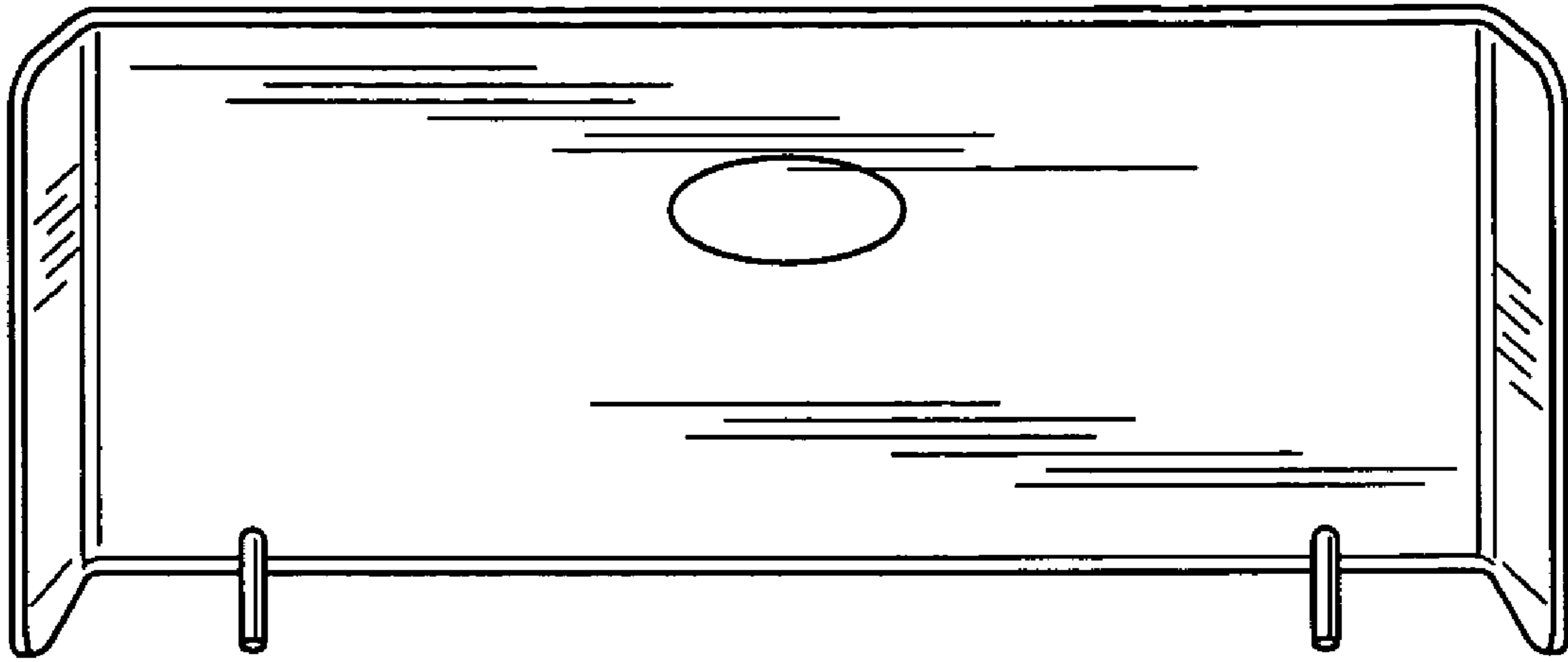


FIG. 7

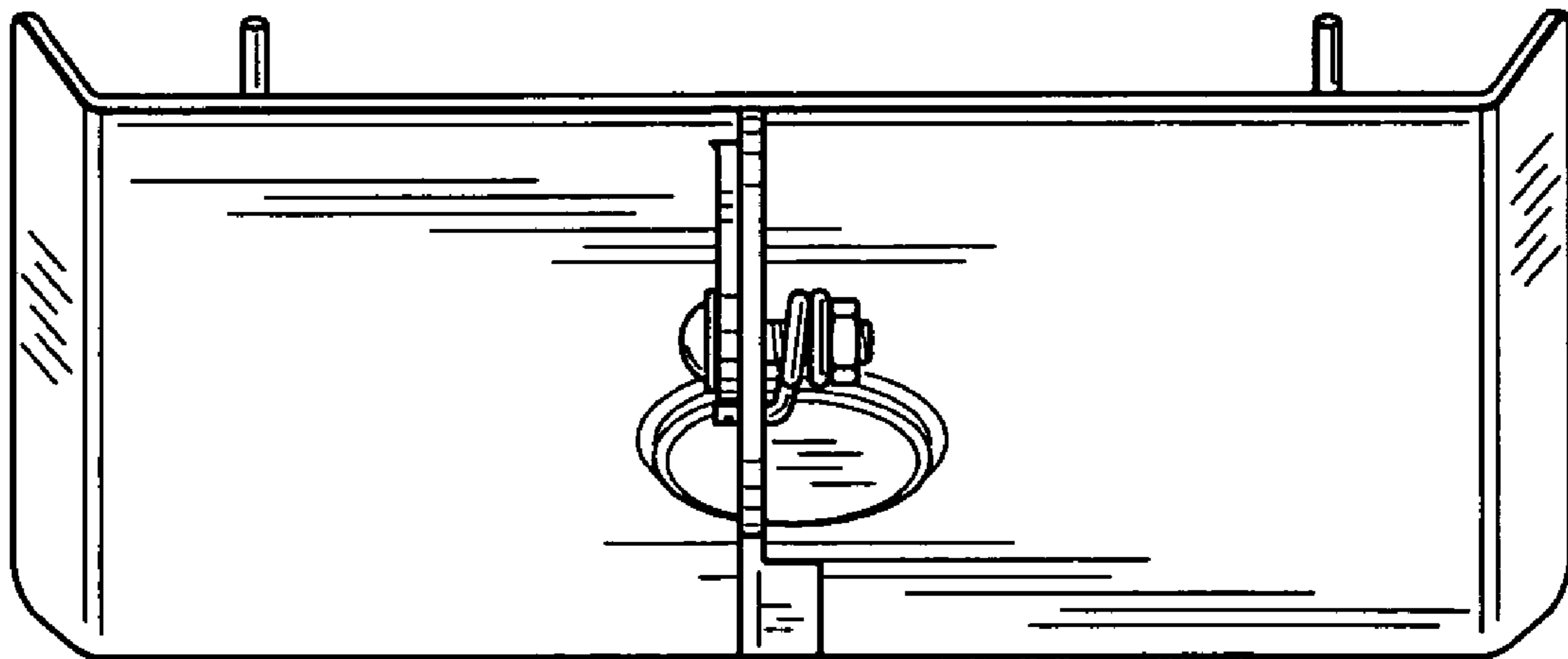


FIG. 8