

US00D608066S

(12) **United States Design Patent**  
**Pearl et al.**

(10) **Patent No.:** **US D608,066 S**  
(45) **Date of Patent:** **\*\* Jan. 12, 2010**

(54) **PAIL**

(76) Inventors: **Jayson Pearl**, N16 W30119  
Timberbrook Ct., Pewaukee, WI (US)  
53072; **Norm Faiola**, 15 Chelseas Walk,  
Ithaca, NY (US) 14850; **Michael Young**,  
1103 Rainbow Ct., Mukwonago, WI  
(US) 53149; **Bernie Ziebart**, N19  
W28072 Golf View Ct., Pewaukee, WI  
(US) 53072; **Brian Albrecht**, 501  
Morningside St., Elkhorn, WI (US)  
53121

D544,669 S \* 6/2007 Casteel et al. .... D32/53  
D546,514 S \* 7/2007 Byrne ..... D32/53  
D549,416 S \* 8/2007 Sampaio ..... D32/53  
D582,117 S \* 12/2008 Chafe et al. .... D32/53.1

\* cited by examiner

*Primary Examiner*—Robin V Webster  
(74) *Attorney, Agent, or Firm*—Boyle Fredrickson, S.C.

(\*\*) Term: **14 Years**

(21) Appl. No.: **29/337,161**

(22) Filed: **May 15, 2009**

(51) **LOC (9) Cl.** ..... **07-07**

(52) **U.S. Cl.** ..... **D32/53**

(58) **Field of Classification Search** ..... D32/53,  
D32/53.1, 54; 220/570, 495.01, 495.02,  
220/904, 908; 15/260, 264, 257.06

See application file for complete search history.

(56) **References Cited**

U.S. PATENT DOCUMENTS

D527,153 S \* 8/2006 Morad et al. .... D32/53

(57) **CLAIM**

The ornamental design of a pail, as shown and described.

**DESCRIPTION**

FIG. 1 is a top perspective view of a pail in accordance with the new design;

FIG. 2 is a side elevation view of the pail of FIG. 1;

FIG. 3 is a front elevation view of the pail of FIG. 1;

FIG. 4 is a rear elevation view of the pail of FIG. 1;

FIG. 5 is a top plan view of the pail of FIG. 1;

FIG. 6 is a bottom plan view of the pail of FIG. 1; and,

FIG. 7 is a rear perspective view of the pail of FIG. 1.

The broken lines shown in the drawing disclosure are for illustrative purposes only and form no part of the claimed design.

**1 Claim, 5 Drawing Sheets**

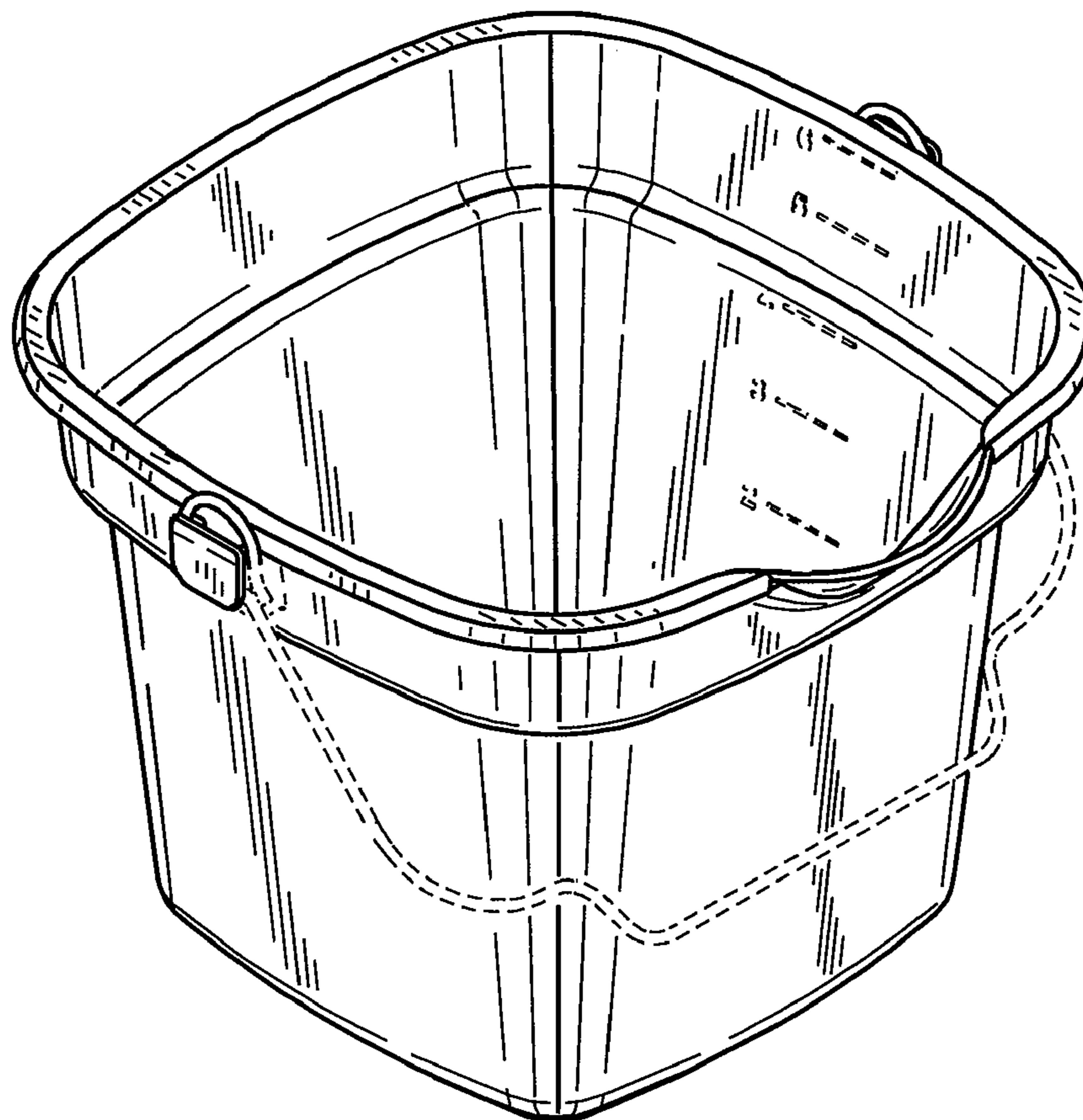


FIG. 1

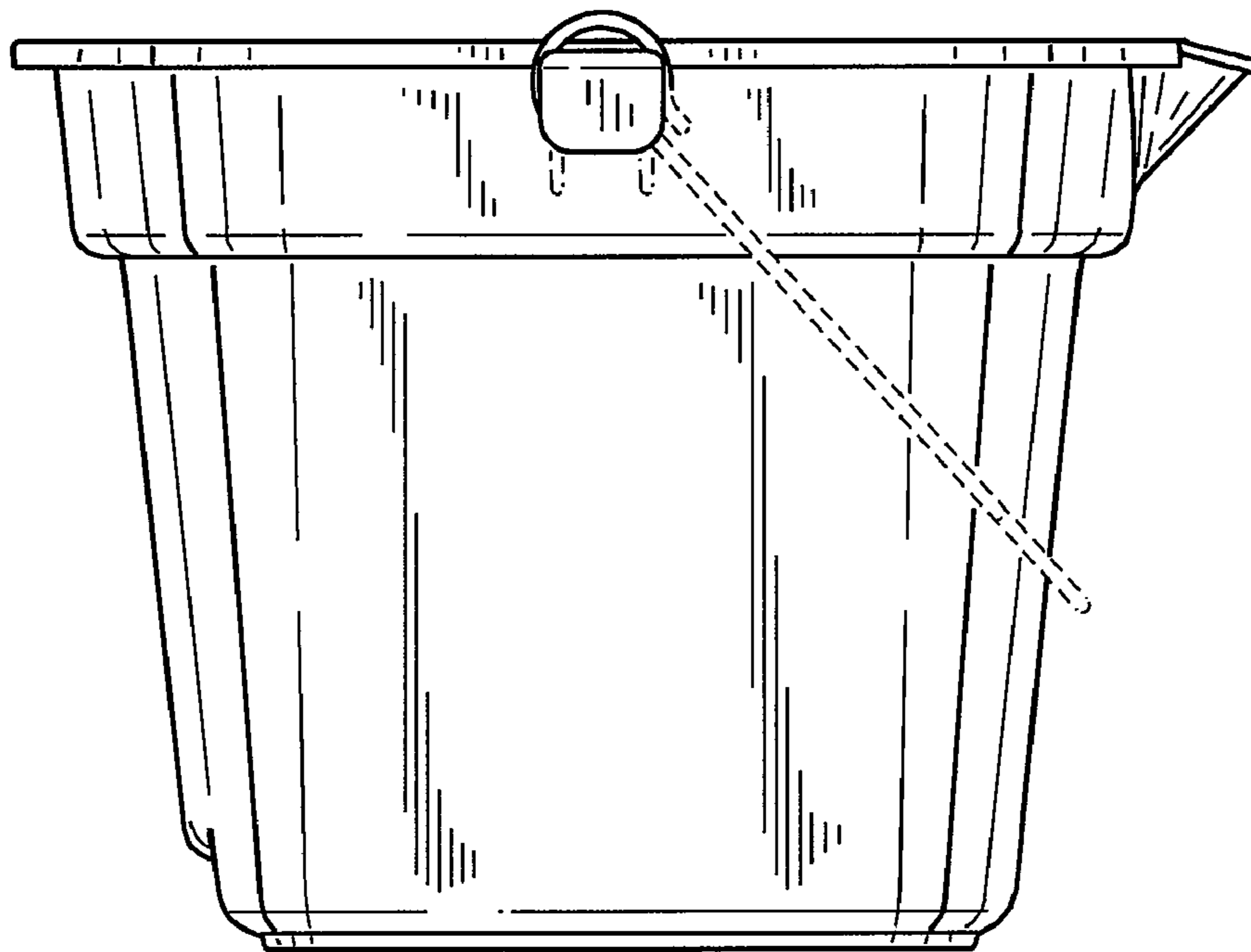
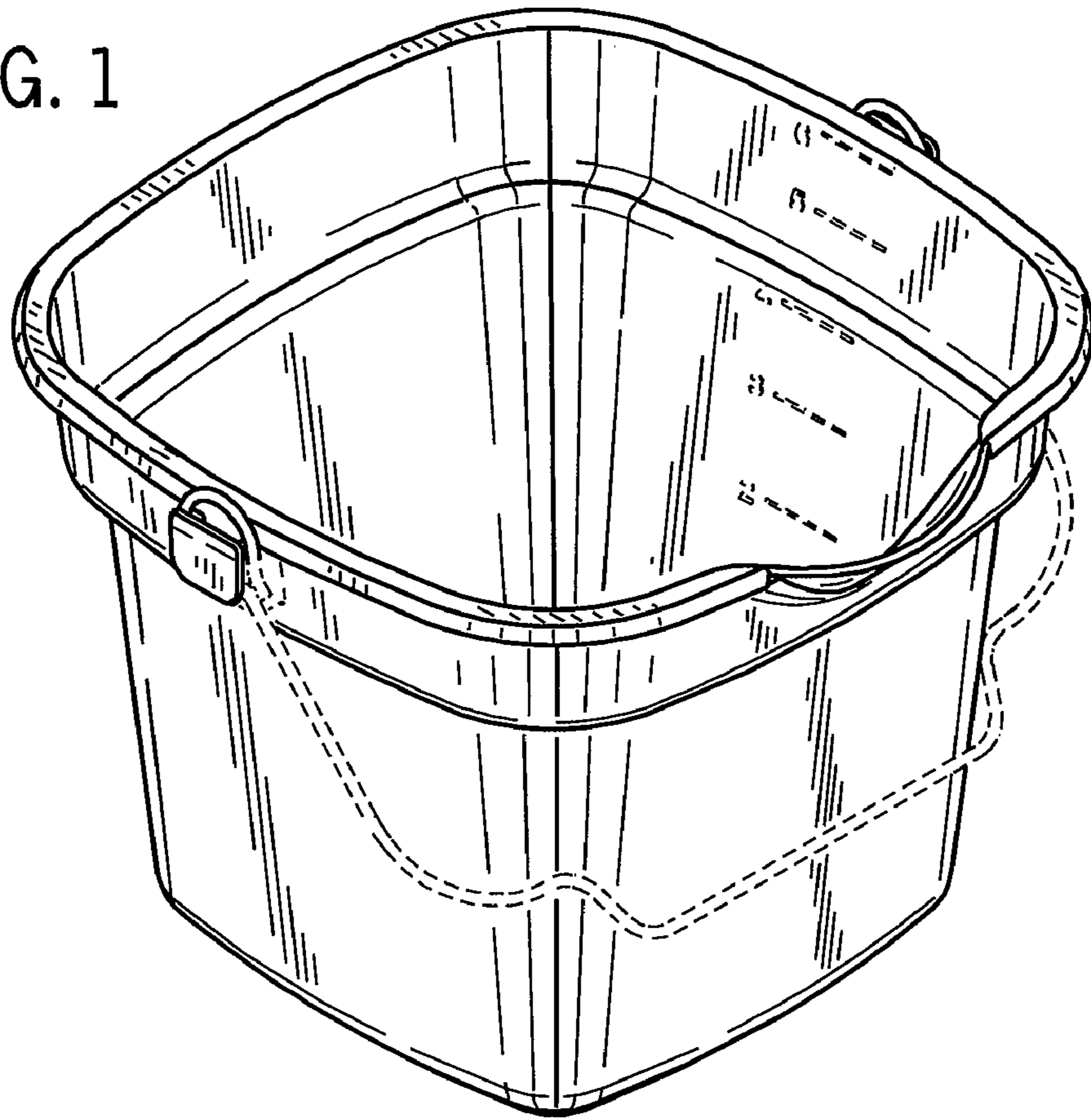


FIG. 2

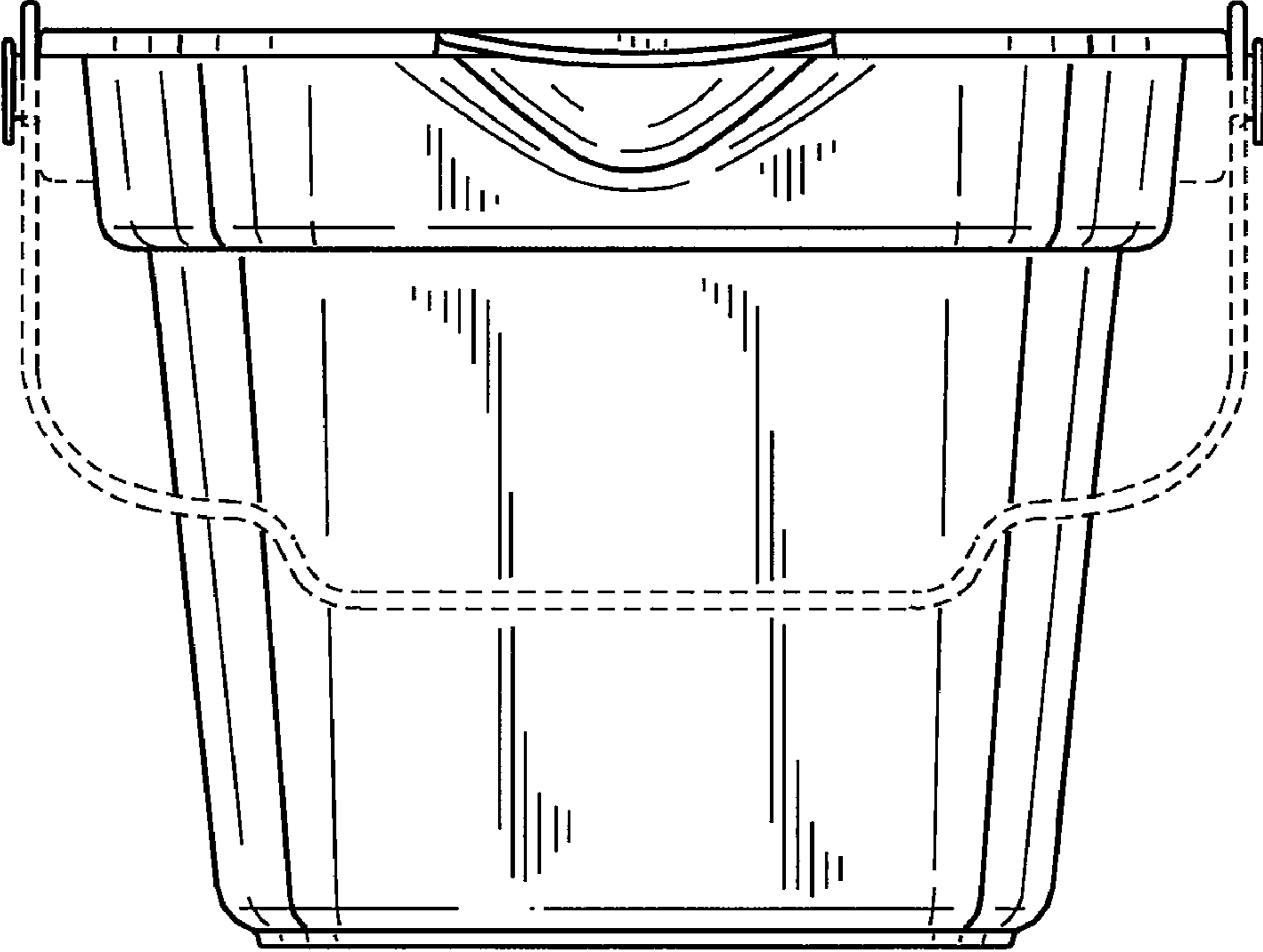


FIG. 3

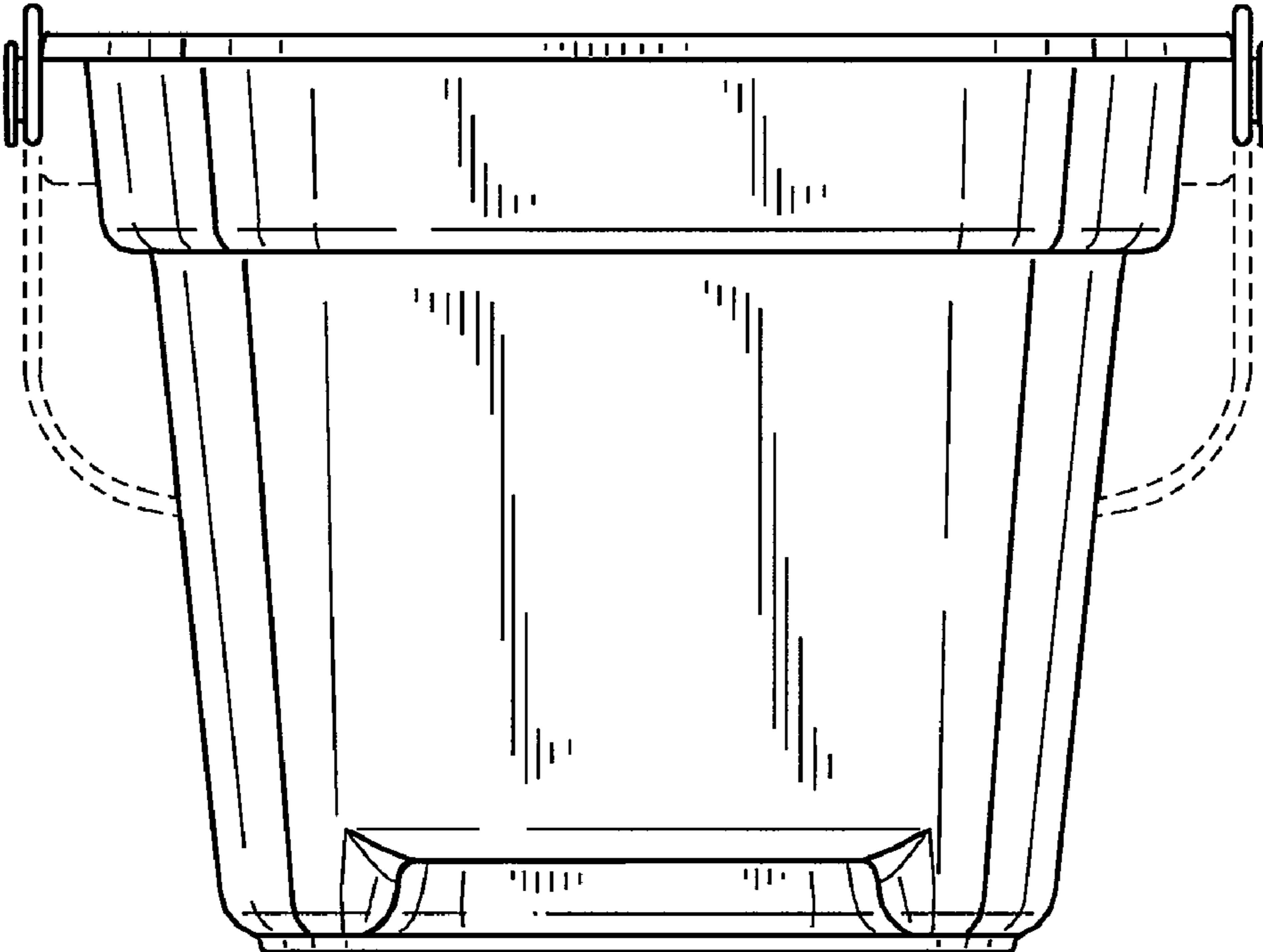


FIG. 4

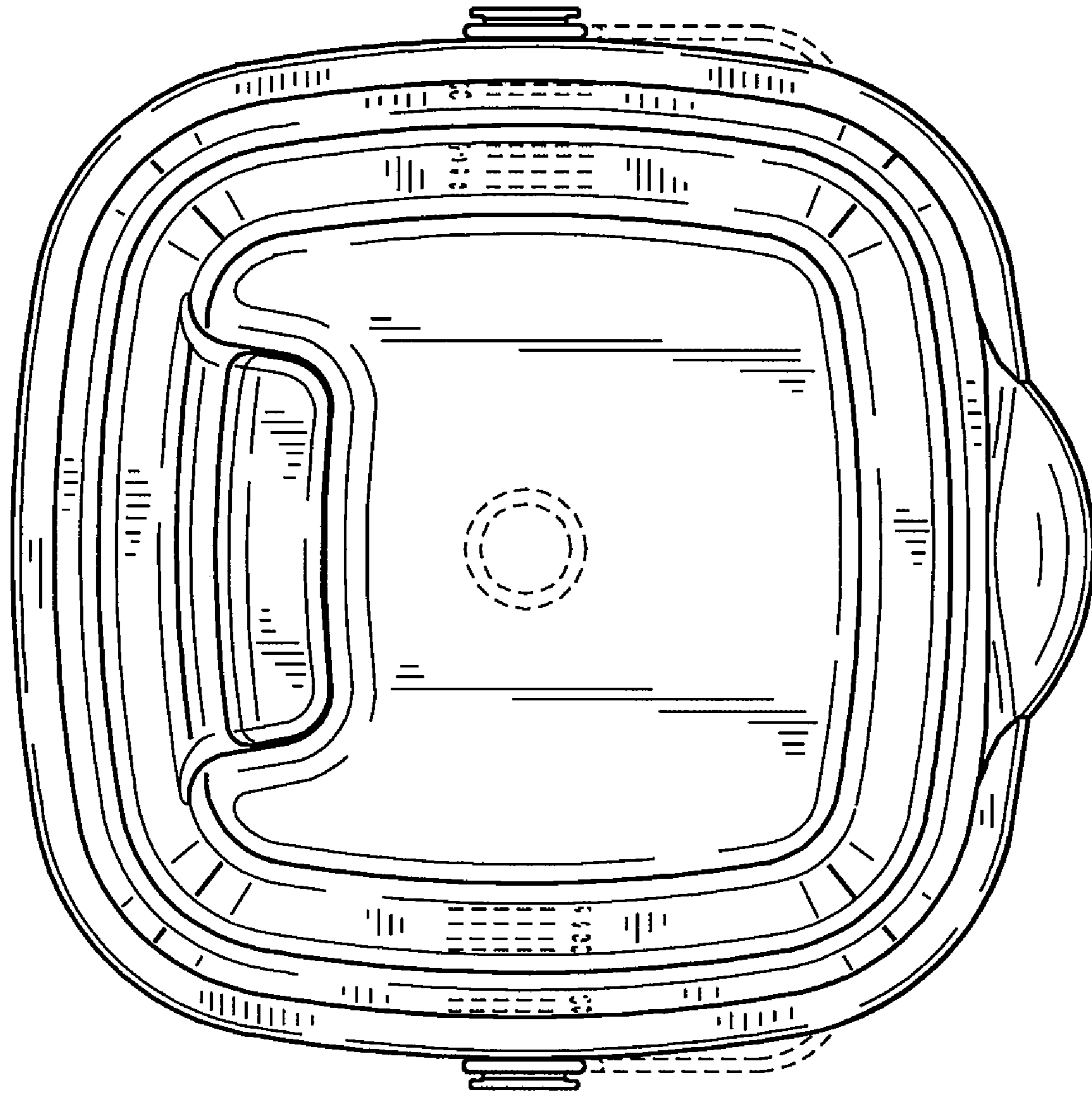


FIG. 5

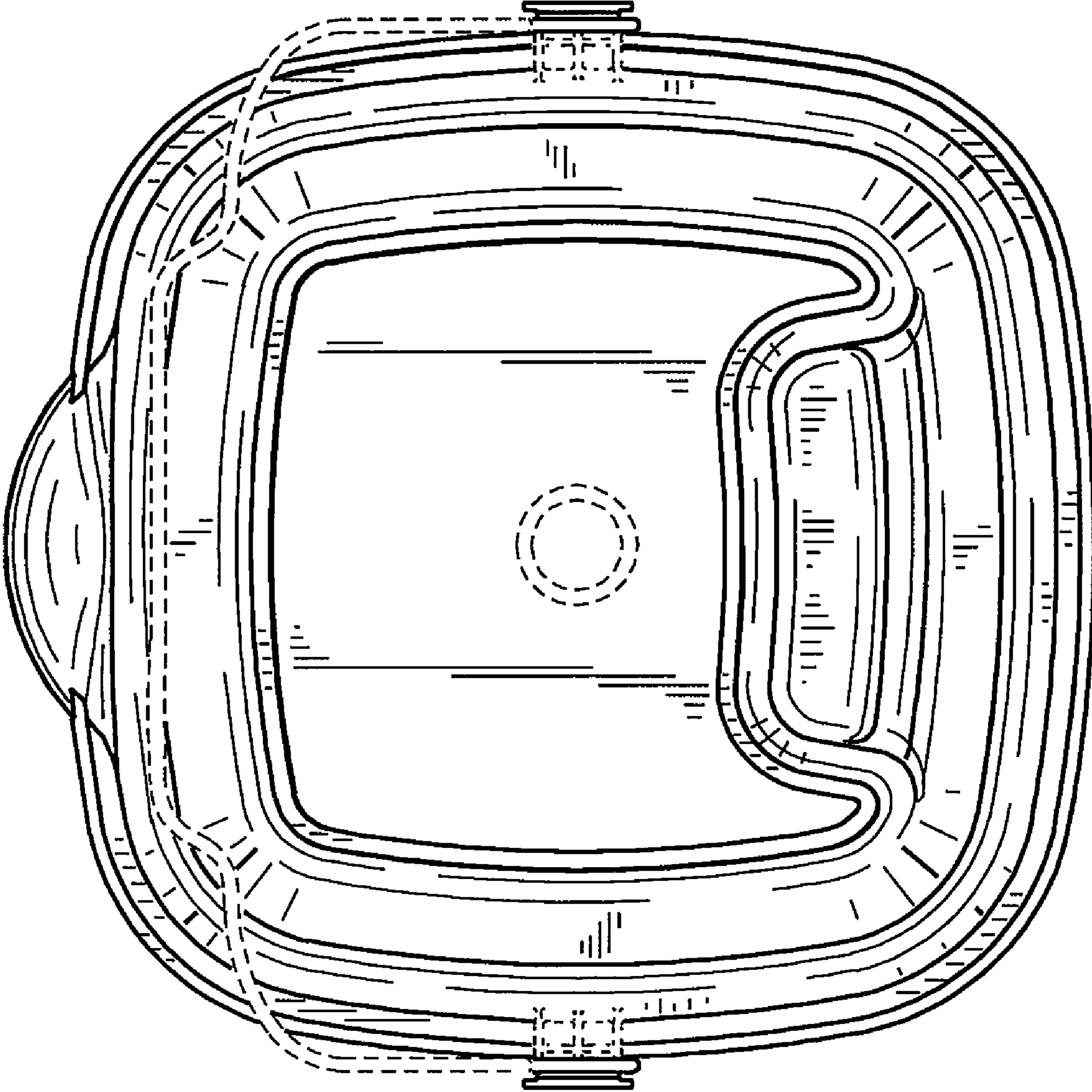


FIG. 6

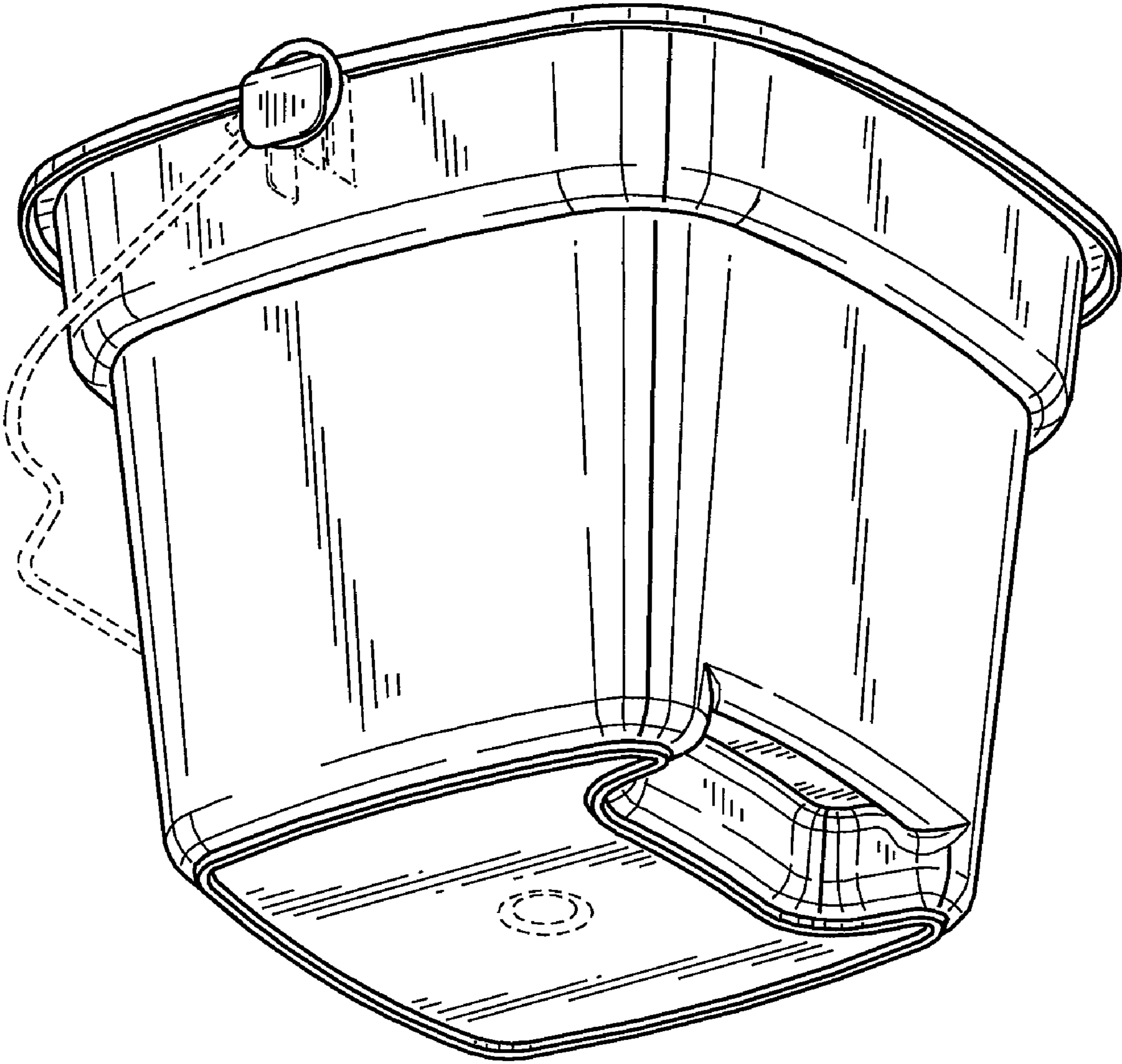


FIG. 7