



US00D608065S

(12) **United States Design Patent**  
**Tse et al.**

(10) **Patent No.:** **US D608,065 S**  
(45) **Date of Patent:** **\*\* Jan. 12, 2010**

(54) **CLEANING DEVICE FOR VIDEO GAME CONSOLE**

D579,613 S \* 10/2008 Gormley et al. .... D32/40

(75) Inventors: **Denise Tse**, Kowloon (CN); **Wai-Sing Law**, Kowloon (CN)

\* cited by examiner

*Primary Examiner*—Robin V Webster

(73) Assignee: **Storm Electronics Company Limited**, Kowloon, Hong Kong (CN)

(74) *Attorney, Agent, or Firm*—Alix, Yale & Ristas, LLP

(\*\*) Term: **14 Years**

(57) **CLAIM**

The ornamental design for a cleaning device for video game console, as shown and described.

(21) Appl. No.: **29/315,456**

(22) Filed: **Jun. 26, 2009**

**DESCRIPTION**

(30) **Foreign Application Priority Data**

Jan. 9, 2009 (HK) ..... 0900030

FIG. 1 is a perspective view from rear and top of a cleaning device for video game console showing my new design;

FIG. 2 is a perspective view from front and top thereof;

(51) **LOC (9) Cl.** ..... **04-01**

FIG. 3 is a perspective view from bottom and rear thereof;

(52) **U.S. Cl.** ..... **D32/40; D32/35**

FIG. 4 is a front elevational view thereof;

(58) **Field of Classification Search** ..... D32/35, D32/40-45; 15/104.93, 104.94, 220.1, 244.1-244.4, 15/245, 208, 209.1; D28/8.1, 8.2

FIG. 5 is a left side elevational view thereof;

See application file for complete search history.

FIG. 6 is a top plan view thereof;

FIG. 7 is a rear view thereof;

(56) **References Cited**

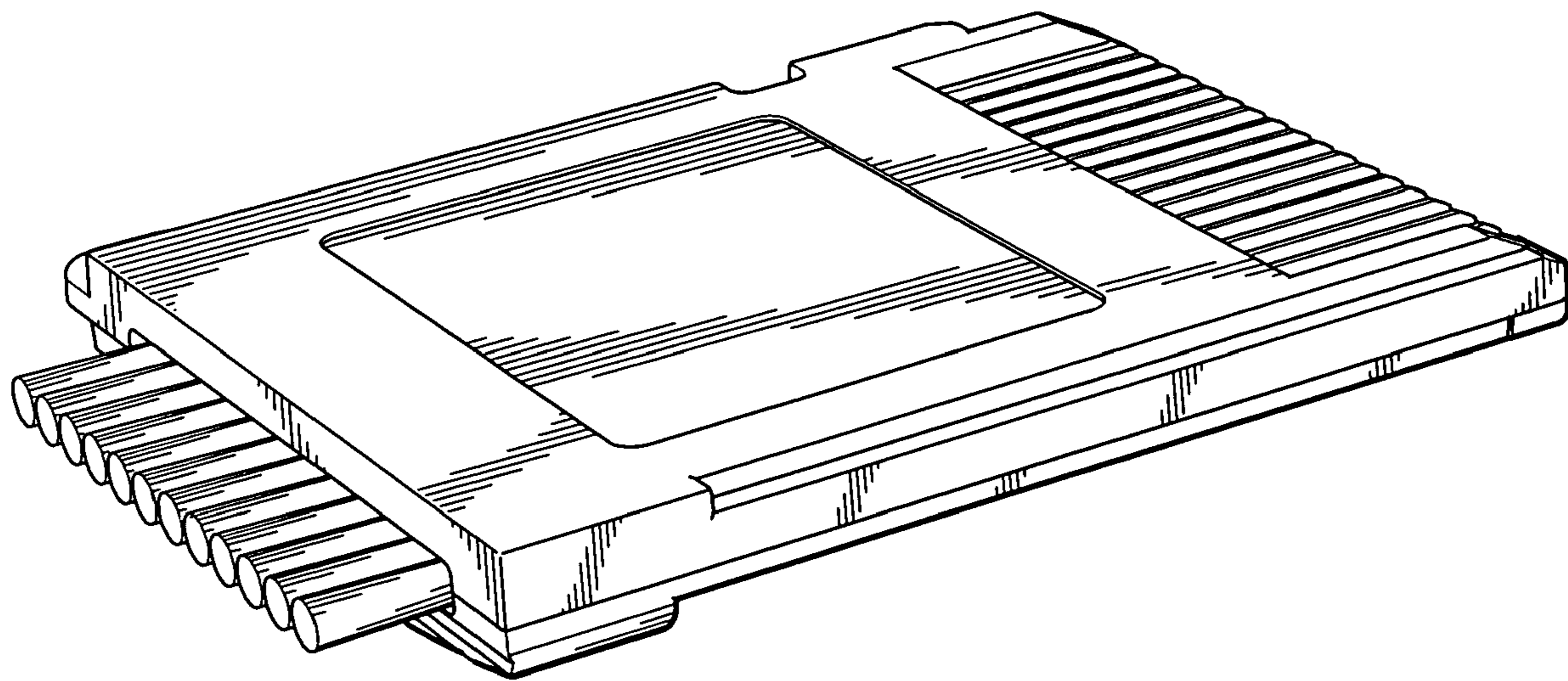
**U.S. PATENT DOCUMENTS**

D550,415 S \* 9/2007 Huang ..... D32/40

FIG. 8 is a right side elevational view thereof; and,

FIG. 9 is bottom plan view thereof.

**1 Claim, 4 Drawing Sheets**



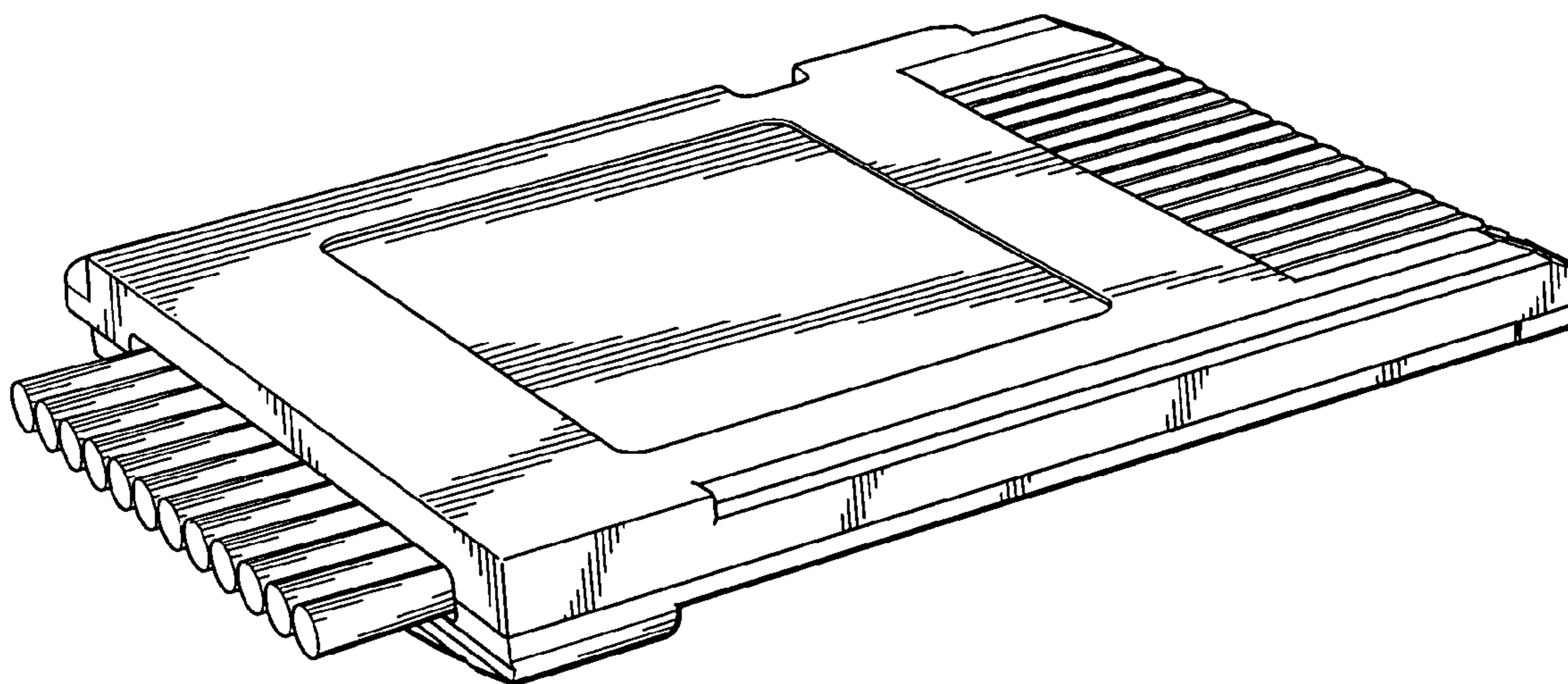


FIG.1

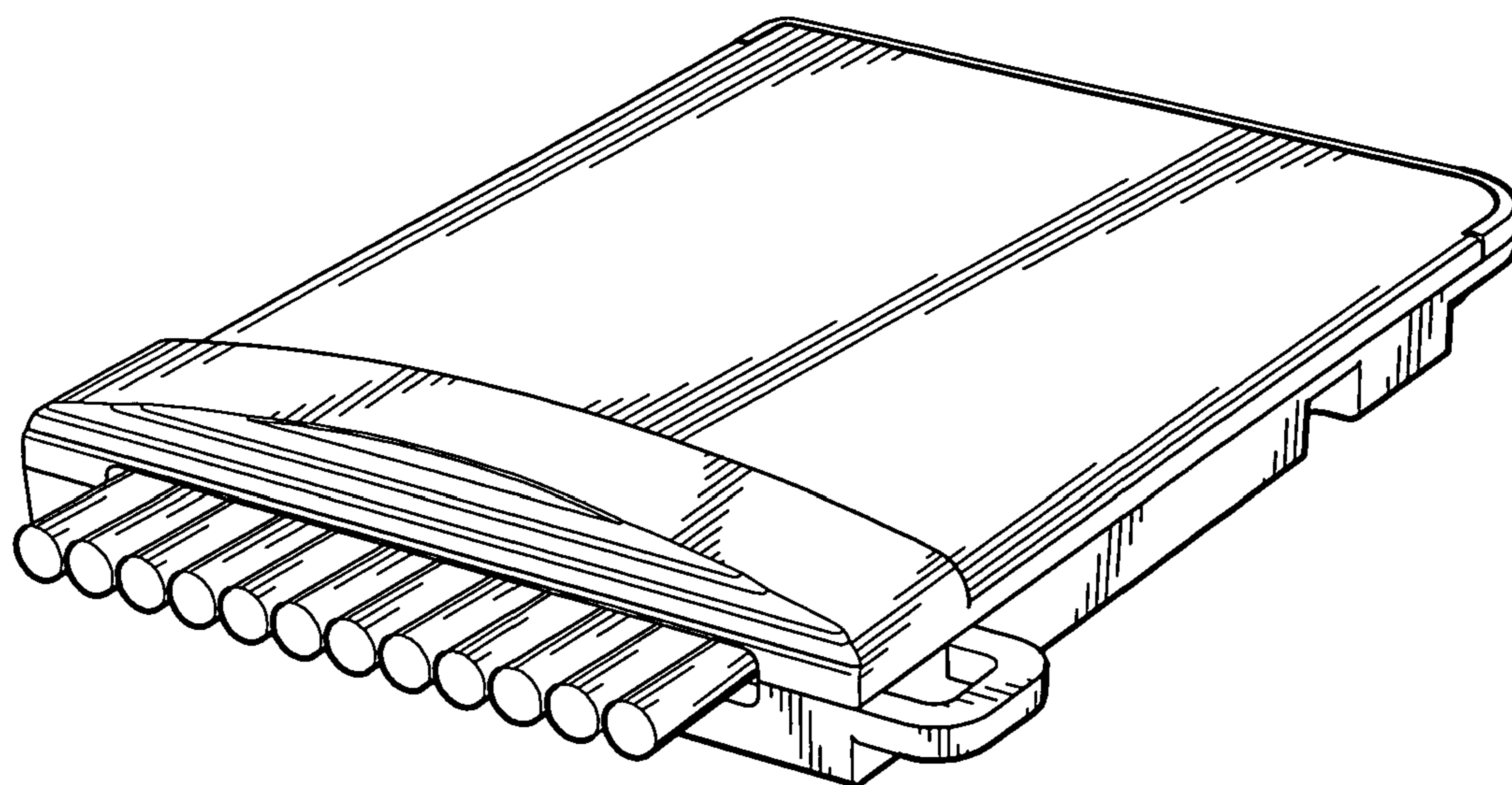


FIG. 2

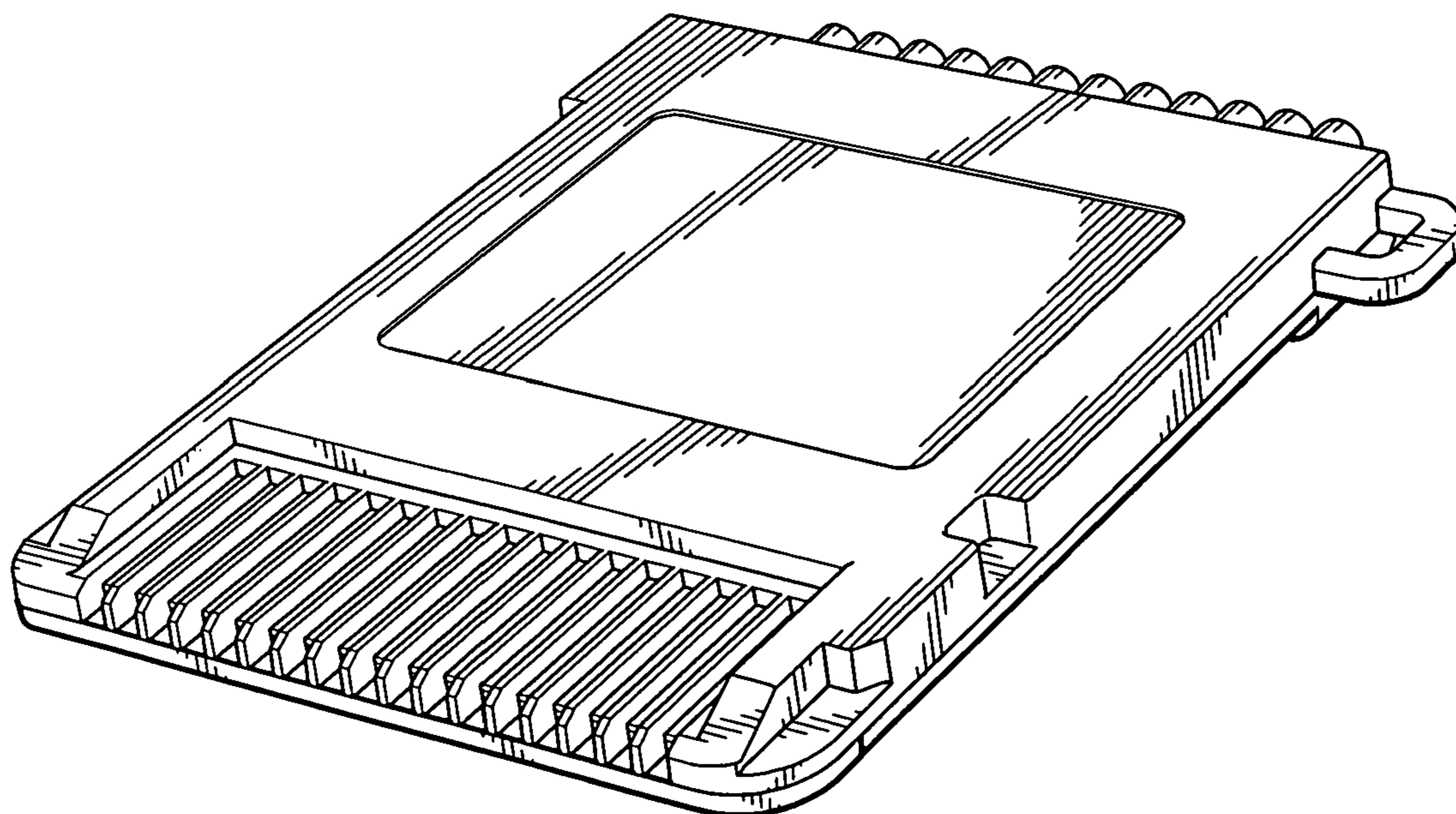


FIG. 3

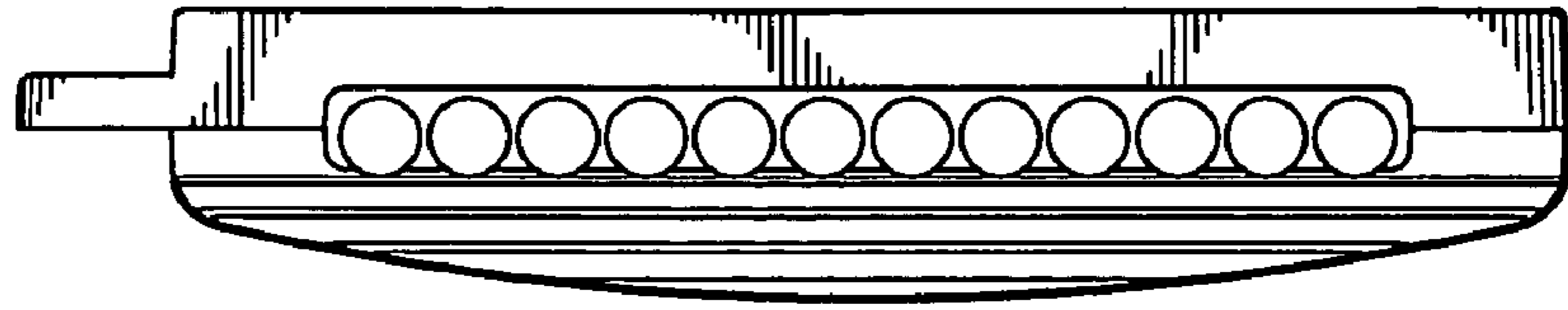


FIG. 6

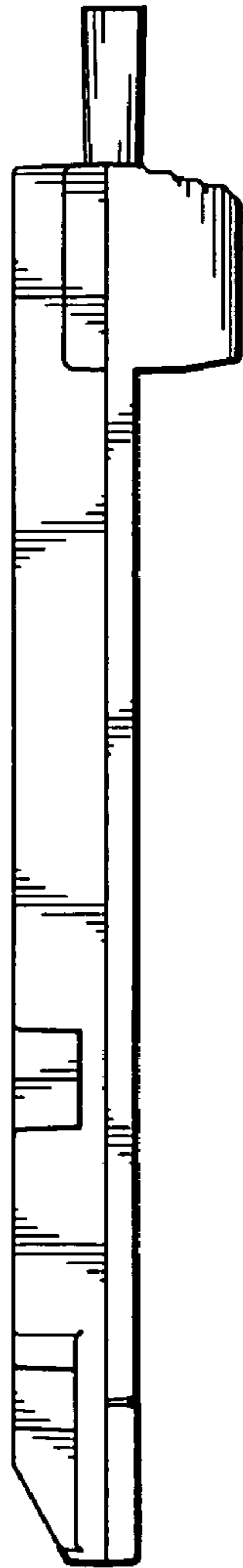


FIG. 5

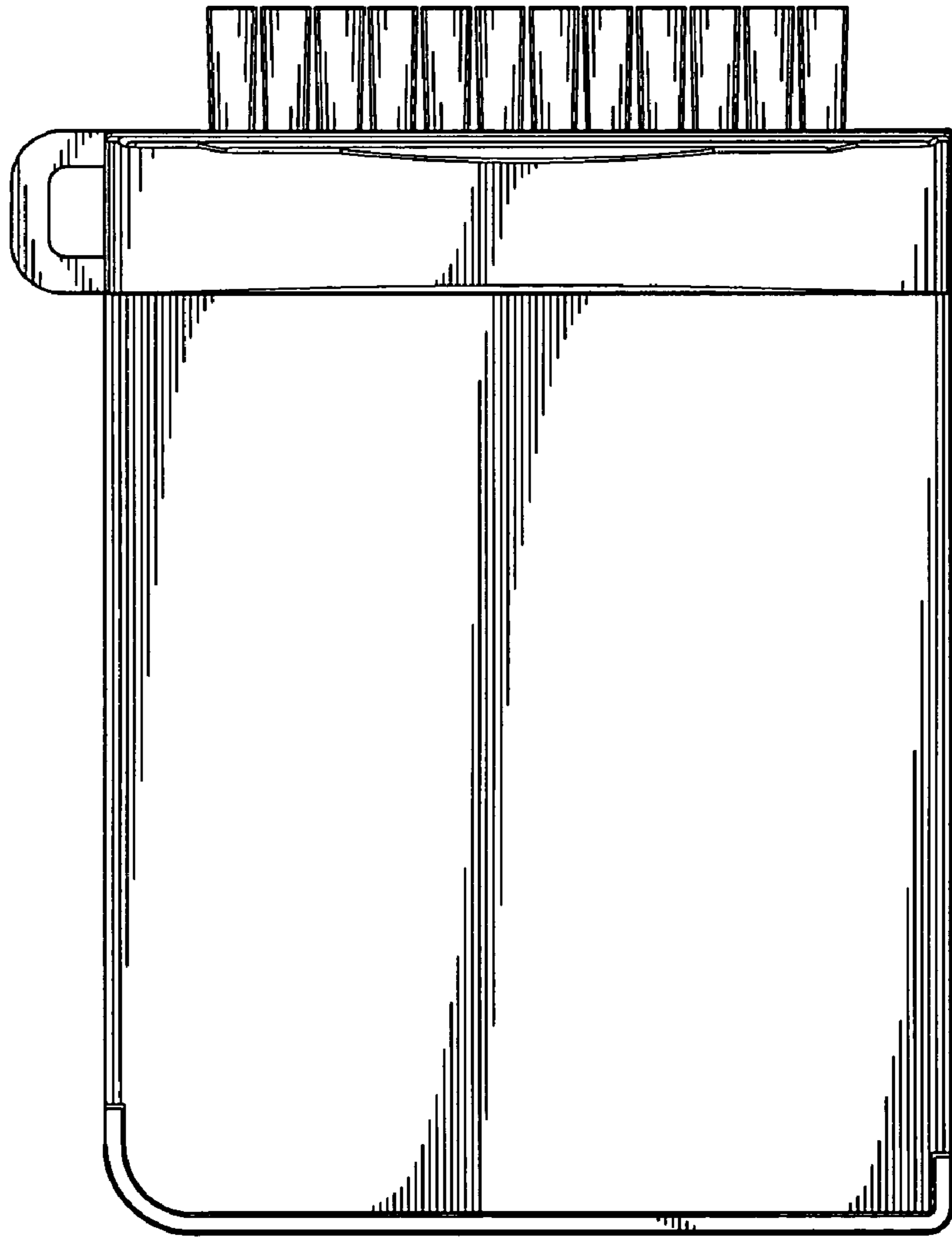


FIG. 4

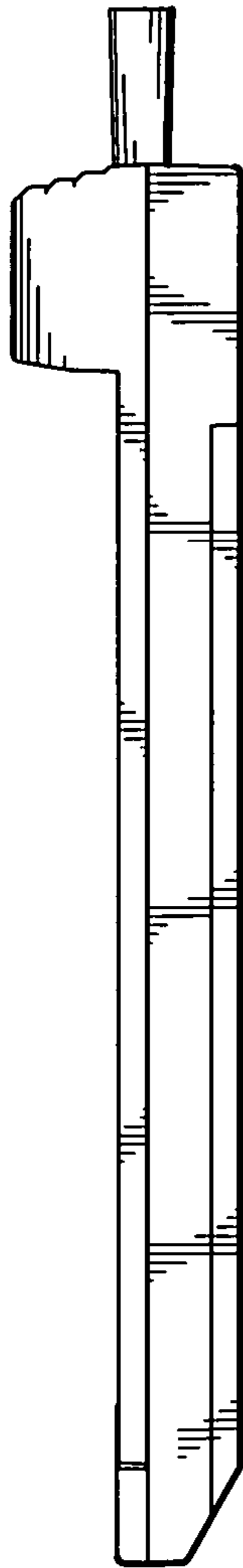


FIG. 8

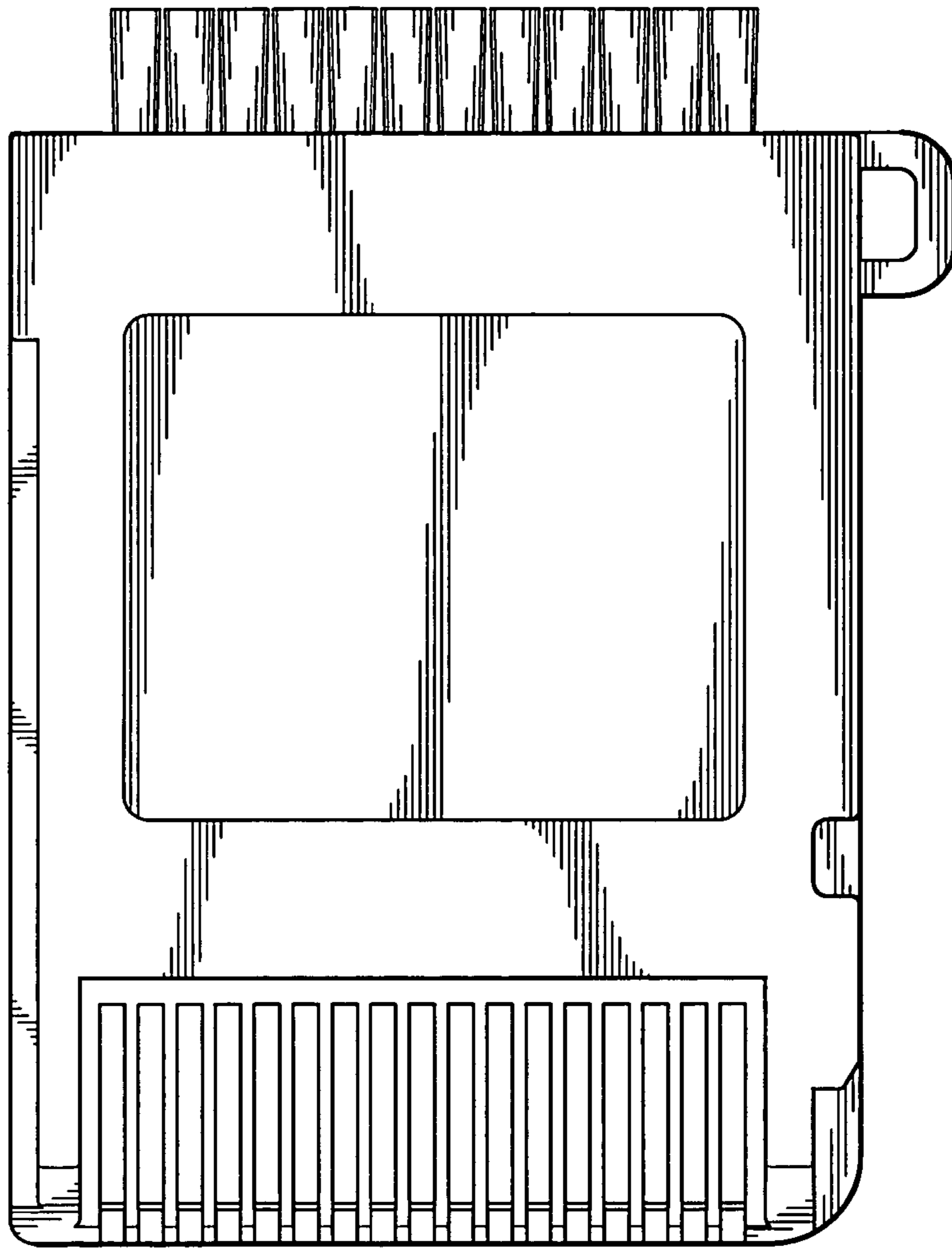


FIG. 7

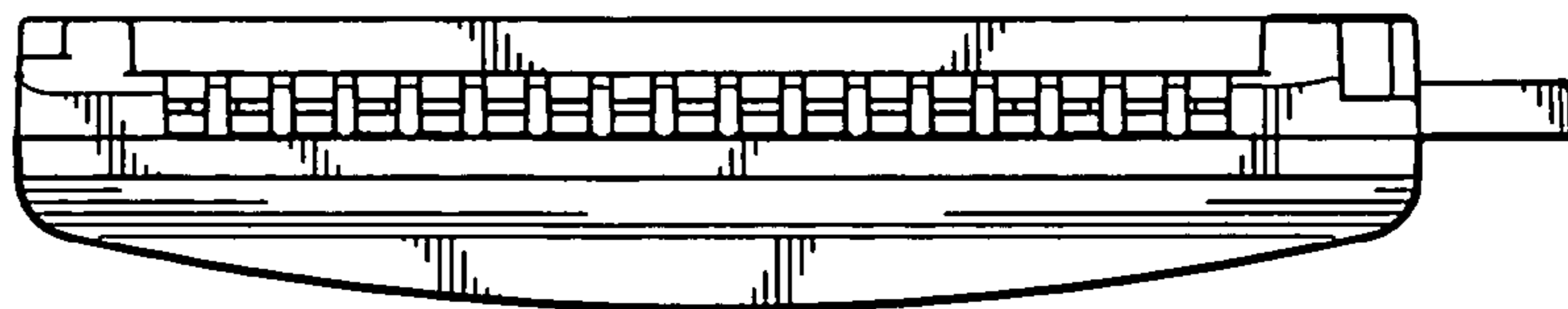


FIG. 9