



US00D608061S

(12) **United States Design Patent**
Seager

(10) **Patent No.:** **US D608,061 S**
(45) **Date of Patent:** **** Jan. 12, 2010**

(54) **LITTER BOX SCOOP**

(75) Inventor: **Nicholas Seager**, Boca Raton, FL (US)

(73) Assignee: **Sunbeam Products, Inc.**, Boca Raton, FL (US)

(**) Term: **14 Years**

(21) Appl. No.: **29/331,081**

(22) Filed: **Jan. 20, 2009**

(51) **LOC (9) Cl.** **30-99**

(52) **U.S. Cl.** **D30/162**

(58) **Field of Classification Search** D30/162;
D7/667, 669-670, 681, 688, 691; D8/10,
D8/395; 294/1.3, 1.4, 1.5, 9, 28, 49, 50.8,
294/54.5, 55; D32/74; 119/161, 867; 15/257.1,
15/257.5; 209/418-419

See application file for complete search history.

(56) **References Cited**

U.S. PATENT DOCUMENTS

421,021	A *	2/1890	Vowles	294/55
674,513	A *	5/1901	McKeever	209/419
915,233	A *	3/1909	Smith	209/419
2,003,541	A *	6/1935	Jawort	294/59
2,670,557	A *	3/1954	Pachner	209/418
3,976,564	A *	8/1976	Holder	209/38
D255,951	S *	7/1980	Halls et al.	D30/162

5,186,506	A *	2/1993	Gale	294/1.3
5,360,247	A *	11/1994	Vachter	294/1.4
5,580,111	A *	12/1996	Bohn	294/1.3
D387,514	S *	12/1997	Savicki	D30/162
5,899,510	A *	5/1999	Hayes et al.	294/1.4
6,305,322	B1 *	10/2001	Patel	119/161
D507,851	S *	7/2005	Tsengas et al.	D30/162
2004/0040896	A1 *	3/2004	Koutsky et al.	209/417
2005/0275228	A1 *	12/2005	Davis	294/1.3

* cited by examiner

Primary Examiner—Cathy Anne MacCormac

(74) *Attorney, Agent, or Firm*—Seth M. Blum

(57) **CLAIM**

The ornamental design for a litter box scoop, as shown and described.

DESCRIPTION

FIG. 1 is a front right perspective view of the litter box scoop showing the new design;

FIG. 2 is a front elevation view thereof;

FIG. 3 is a back elevation view thereof;

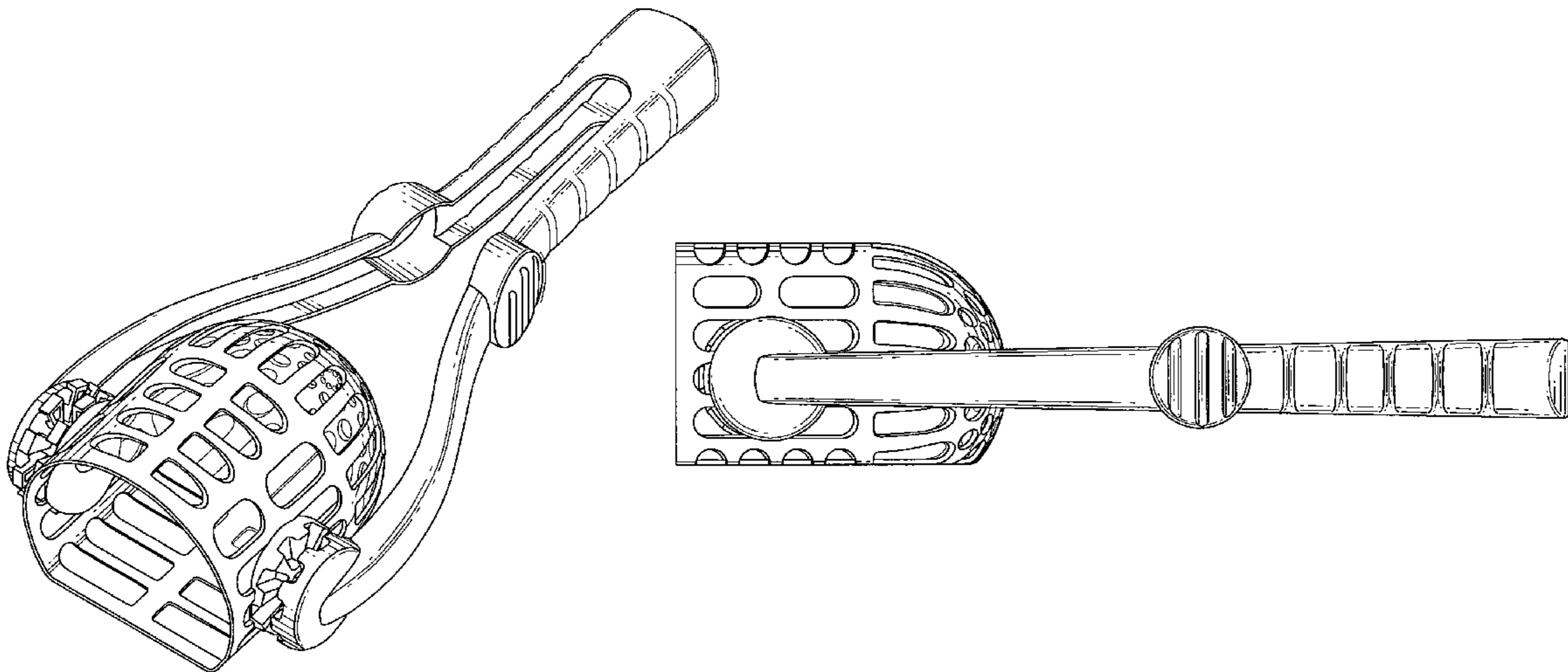
FIG. 4 is a right side elevation view thereof;

FIG. 5 is a left side elevation view thereof;

FIG. 6 is a top plan view elevation thereof; and,

FIG. 7 is a bottom plan view elevation thereof.

1 Claim, 2 Drawing Sheets



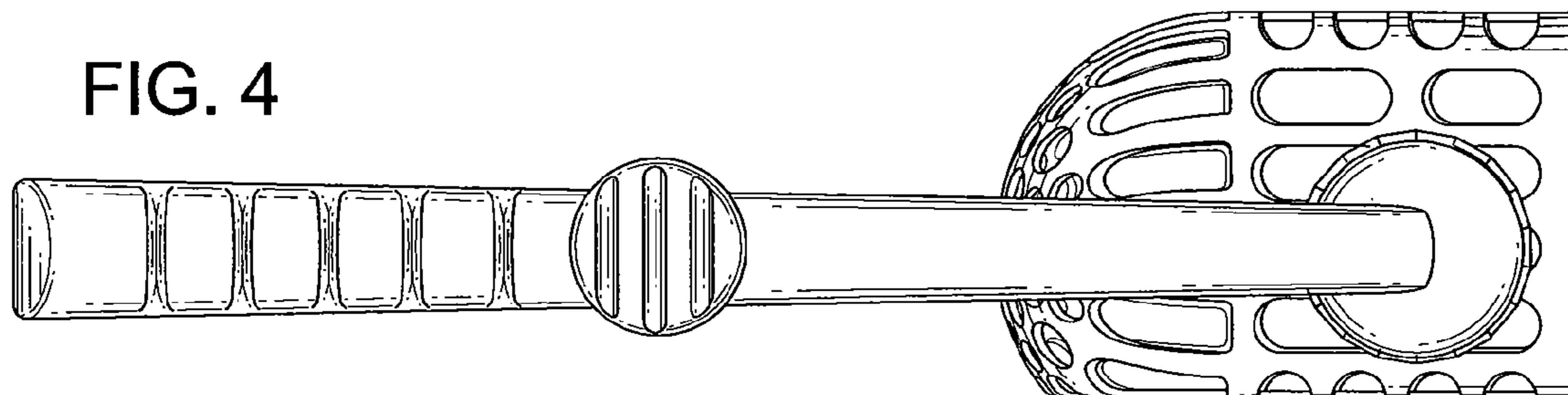
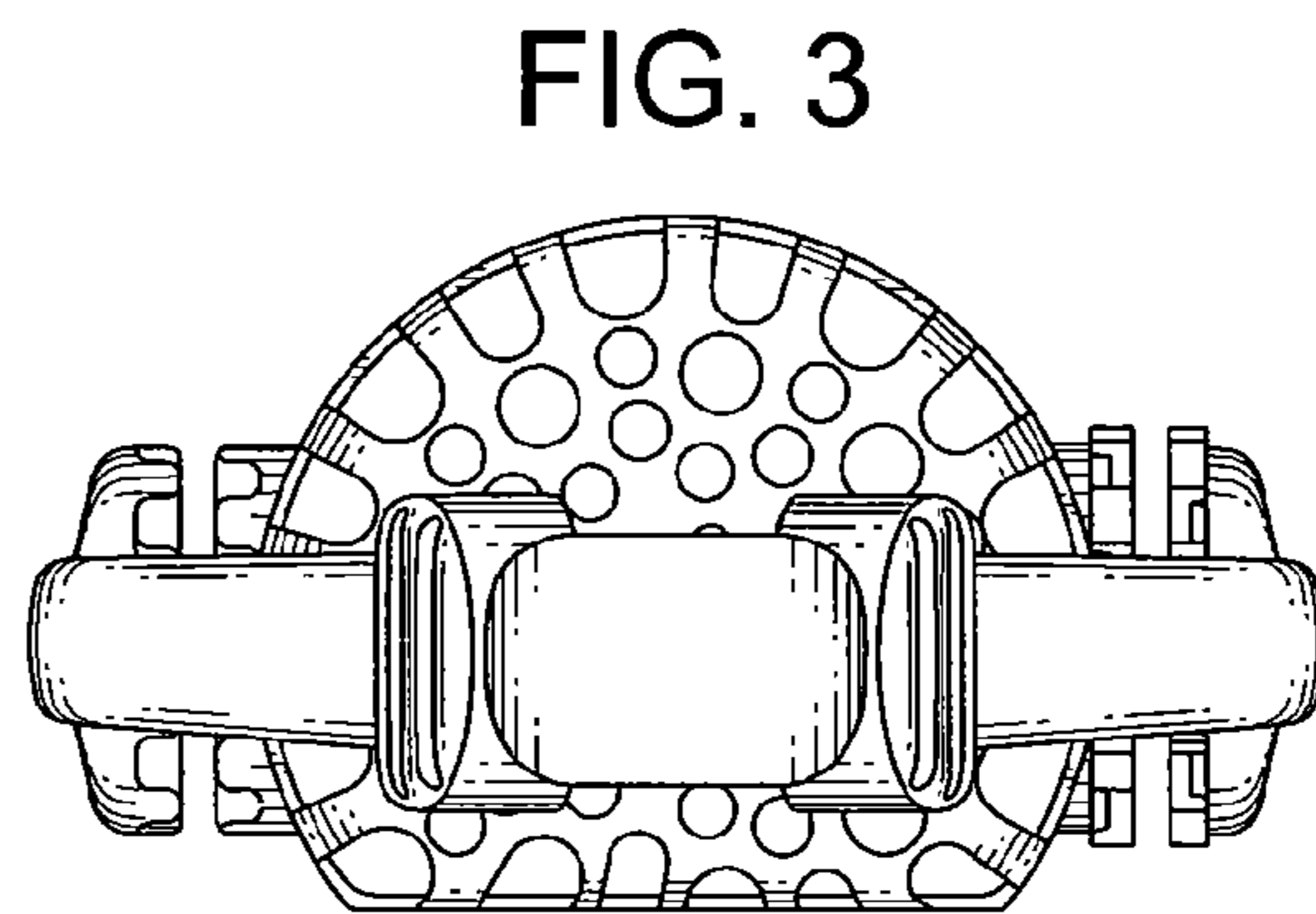
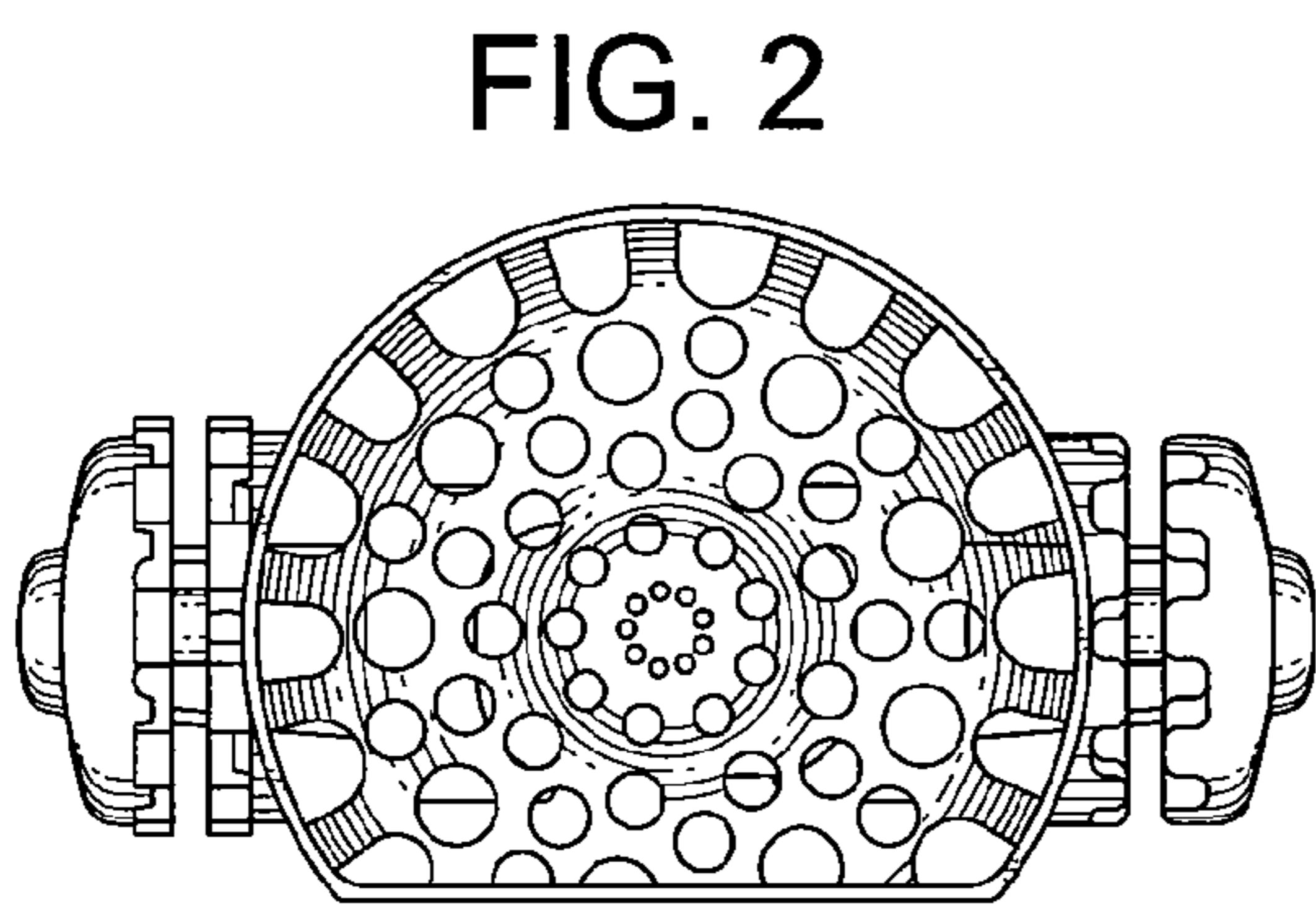
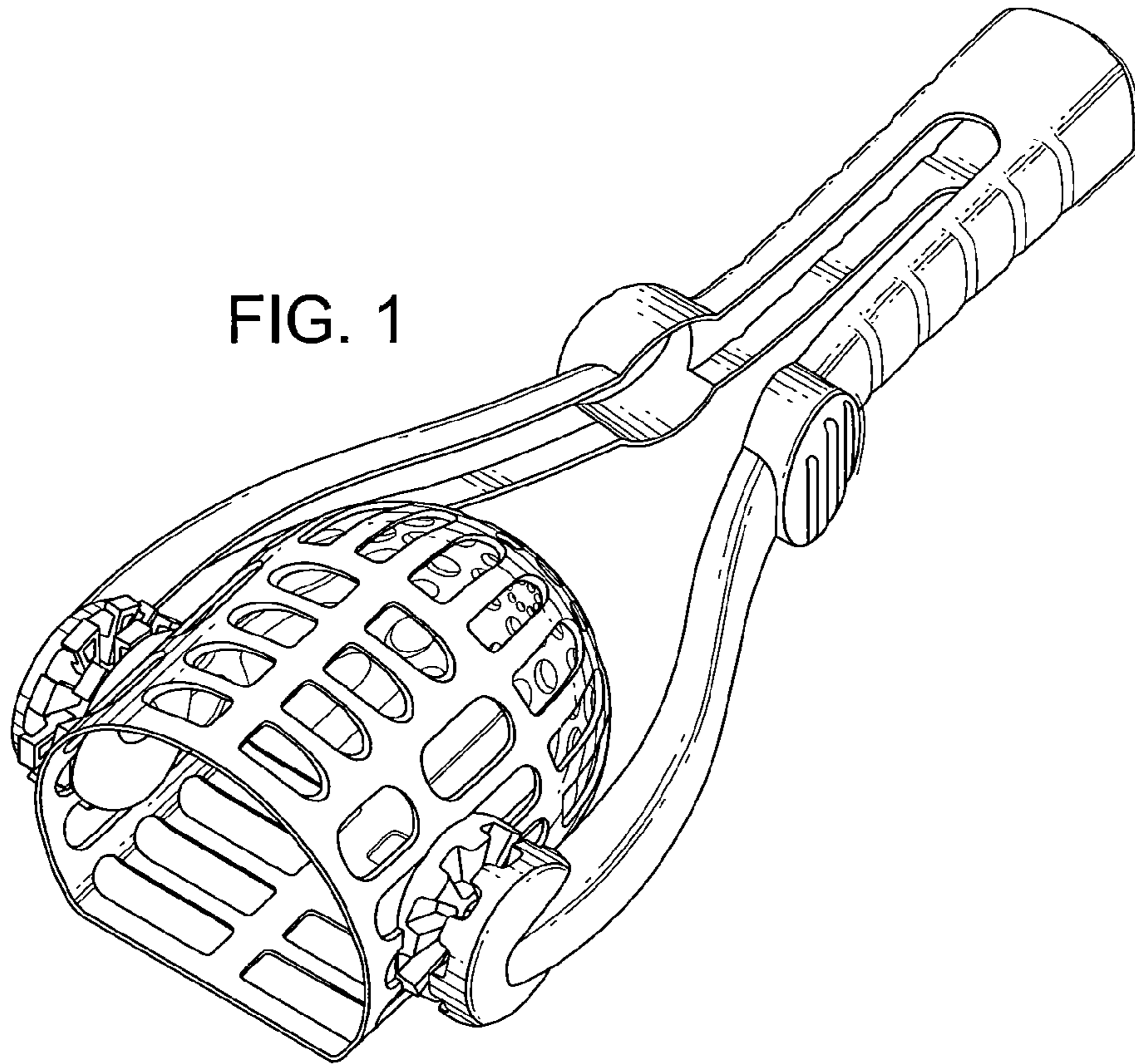


FIG. 5

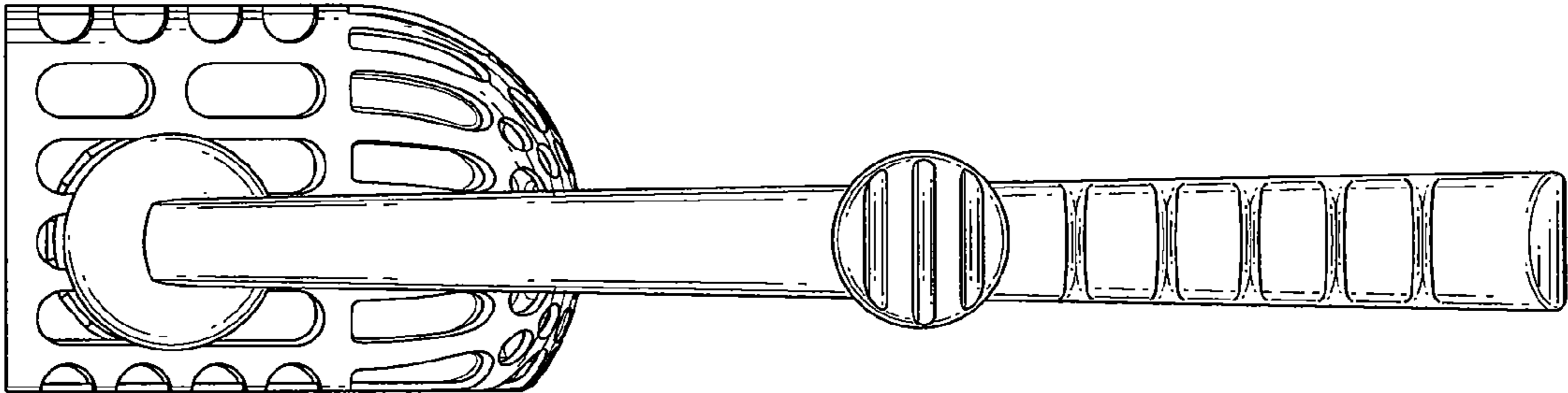


FIG. 6

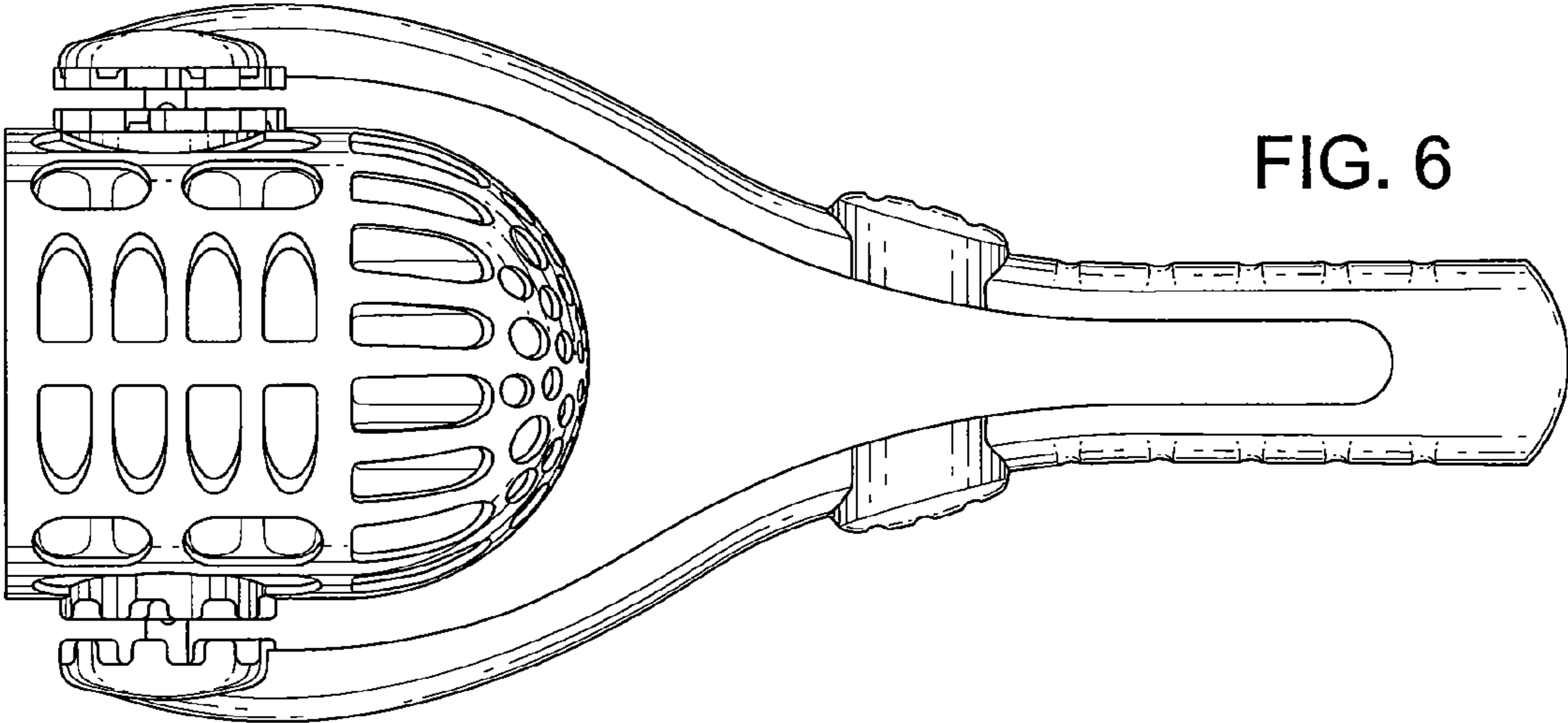


FIG. 7

