



US00D608059S

(12) **United States Design Patent**  
**McNaughton**

(10) **Patent No.:** **US D608,059 S**  
(45) **Date of Patent:** **\*\* Jan. 12, 2010**

(54) **BOBBER BIRD HOUSE**

D505,050 S 5/2005 Johnson

(76) Inventor: **Patrick J. McNaughton**, 17025 5<sup>th</sup> Ave.,  
Plymouth, MN (US) 55447

(\*\*) Term: **14 Years**

(21) Appl. No.: **29/310,022**

(22) Filed: **Jul. 22, 2008**

(51) **LOC (9) Cl.** ..... **30-02**

(52) **U.S. Cl.** ..... **D30/119; D22/146**

(58) **Field of Classification Search** ..... D30/110–112,  
D30/114, 117, 119, 124–128; D11/121;  
D22/146; 119/428–429, 431–435, 452–454,  
119/459, 461, 469–470, 513

See application file for complete search history.

(56) **References Cited**

**U.S. PATENT DOCUMENTS**

D76,400 S *	9/1928	Kevitt	.....	D30/110
2,887,987 A *	5/1959	Fitzgerald et al.	.....	119/433
3,182,635 A *	5/1965	Waite	.....	119/428
D222,074 S *	9/1971	Pratt	.....	D30/110
3,783,831 A *	1/1974	Patliff	.....	119/435
D244,620 S *	6/1977	Cudmore	.....	D30/110
4,592,936 A *	6/1986	Ferguson	.....	428/11
D338,421 S *	8/1993	Huang	.....	D10/116
D356,878 S *	3/1995	Thaxter	.....	D30/110
5,458,930 A *	10/1995	Brown	.....	428/11
D370,745 S *	6/1996	Madigan	.....	D30/110
D373,552 S *	9/1996	Lownsbury	.....	D11/121
D491,484 S *	6/2004	Tyler	.....	D11/121

**OTHER PUBLICATIONS**

Big Bobber—Floating Cooler product information, website: <http://www.vacationgadgets.com/productmgmt/results.asp?nCatID=20&nSubCatID=192&sSubCat=Big...>, printed Jul. 22, 2008, 3 pages.  
Bobber Salt & Pepper Shakers product information, website: [http://www.fishygifts.com/Merchant2/merchant.mv?Screen=PROD&Product\\_Code=519re](http://www.fishygifts.com/Merchant2/merchant.mv?Screen=PROD&Product_Code=519re), printed Jul. 22, 2008, 2 pages.  
Bobber Swag Glass Ornament product information, website: <http://www.bronners.com/1123041.html>, printed Jul. 22, 2008, 1 page.  
Photograph printed from web page at least as early as Jul. 21, 2008, 1 page.

\* cited by examiner

*Primary Examiner*—Cathy Anne MacCormac

(57) **CLAIM**

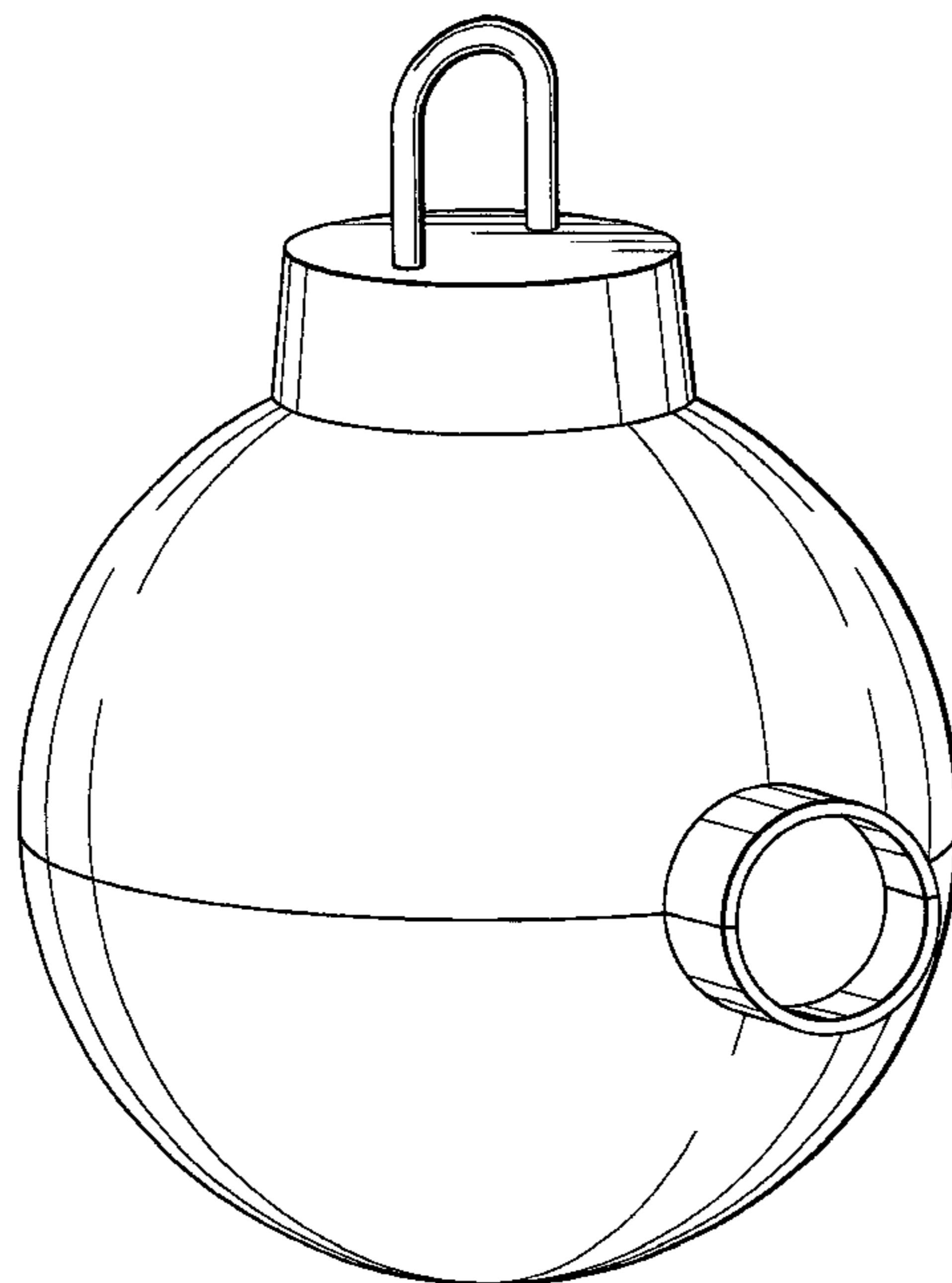
The ornamental design for a bobber bird house, substantially as shown and described.

**DESCRIPTION**

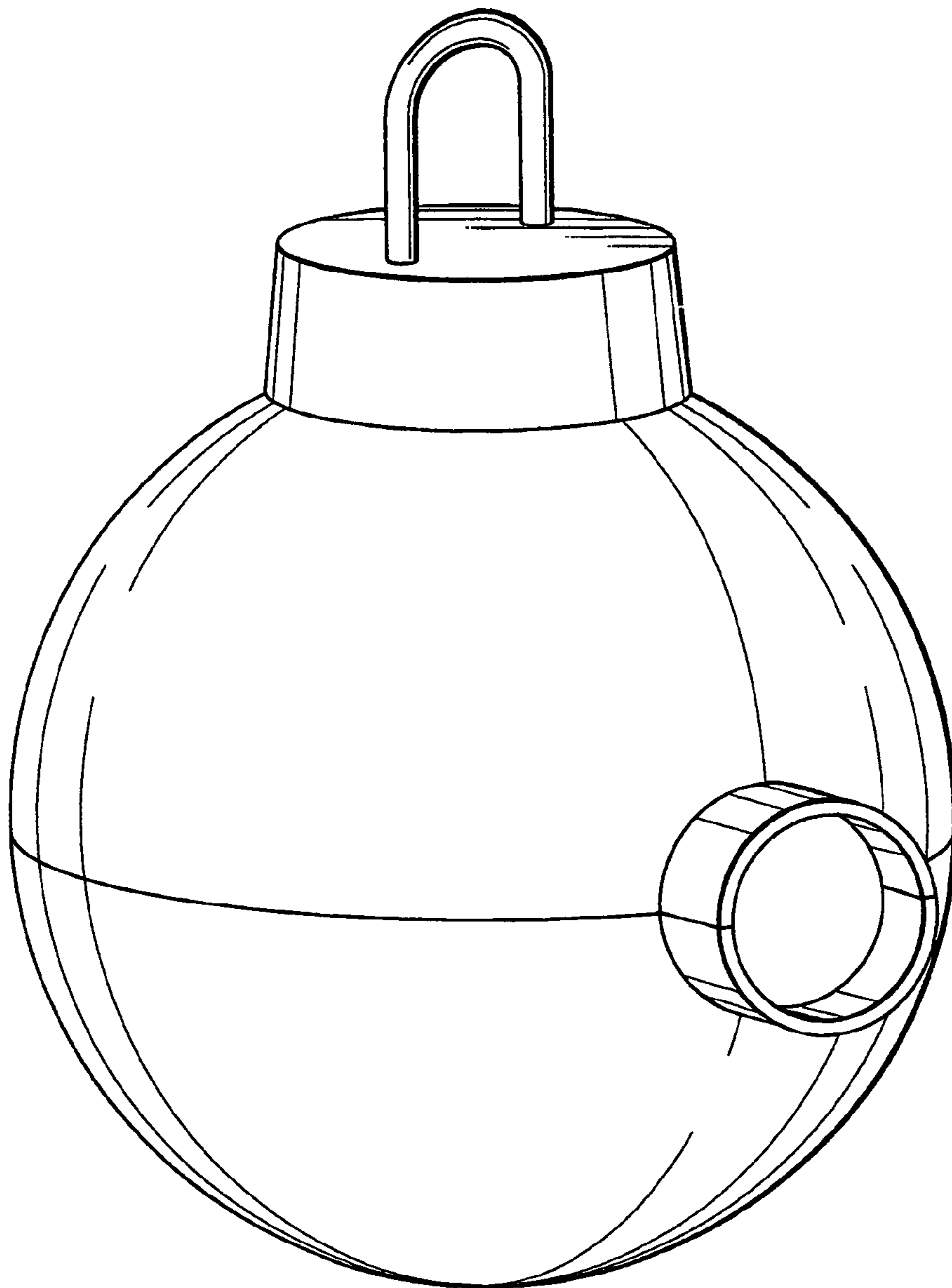
FIG. 1 is an upper left perspective view of a bobber bird house showing my new design;  
FIG. 2 is a reduced front elevation view thereof;  
FIG. 3 is a left side view of FIG. 2;  
FIG. 4 is a right side view of FIG. 2;  
FIG. 5 is a rear elevation view of FIG. 2;  
FIG. 6 is a top view of FIG. 2; and,  
FIG. 7 is a bottom view of FIG. 2.

The broken lines are for illustration only and form no part of the claimed design.

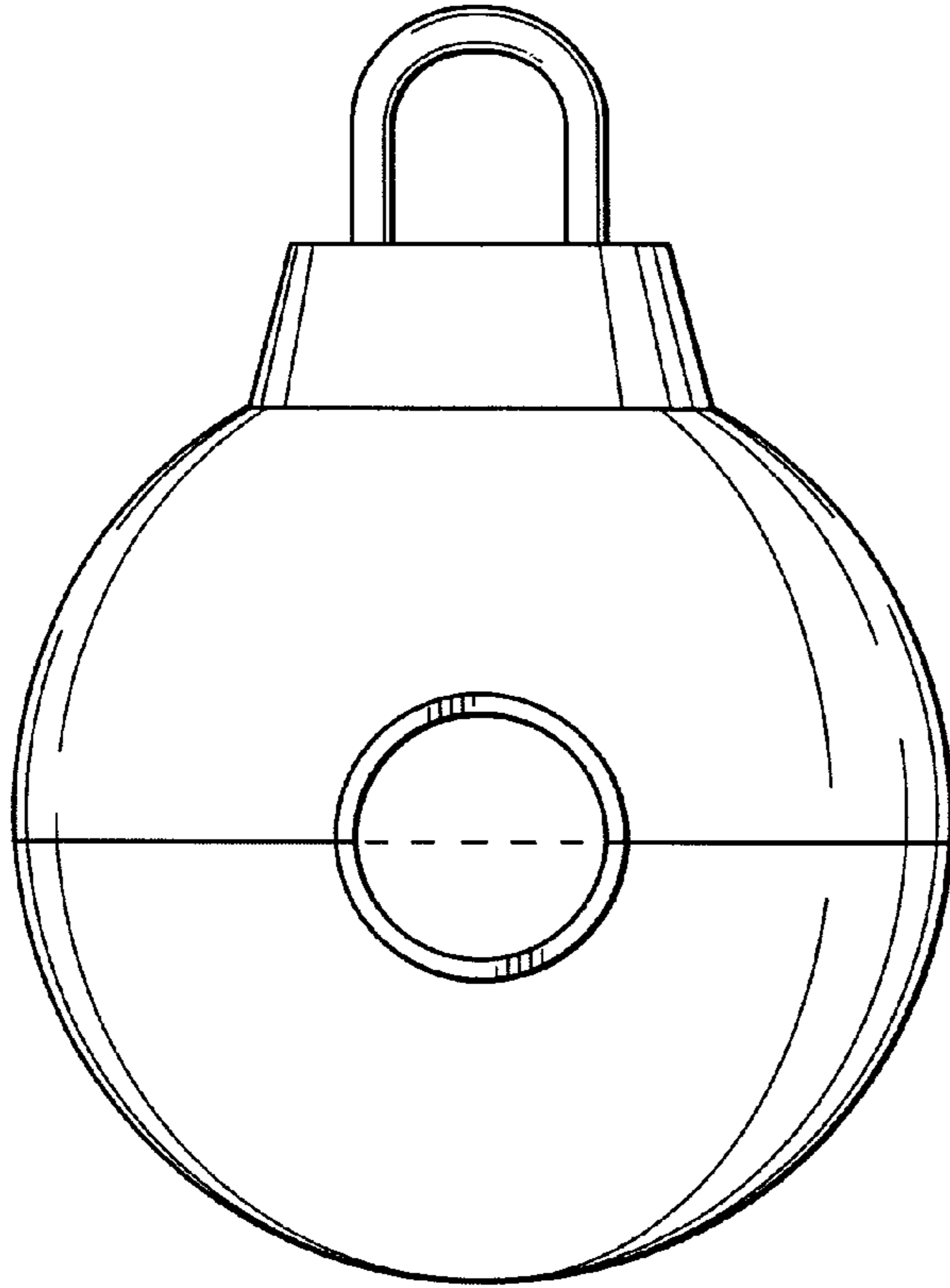
**1 Claim, 4 Drawing Sheets**



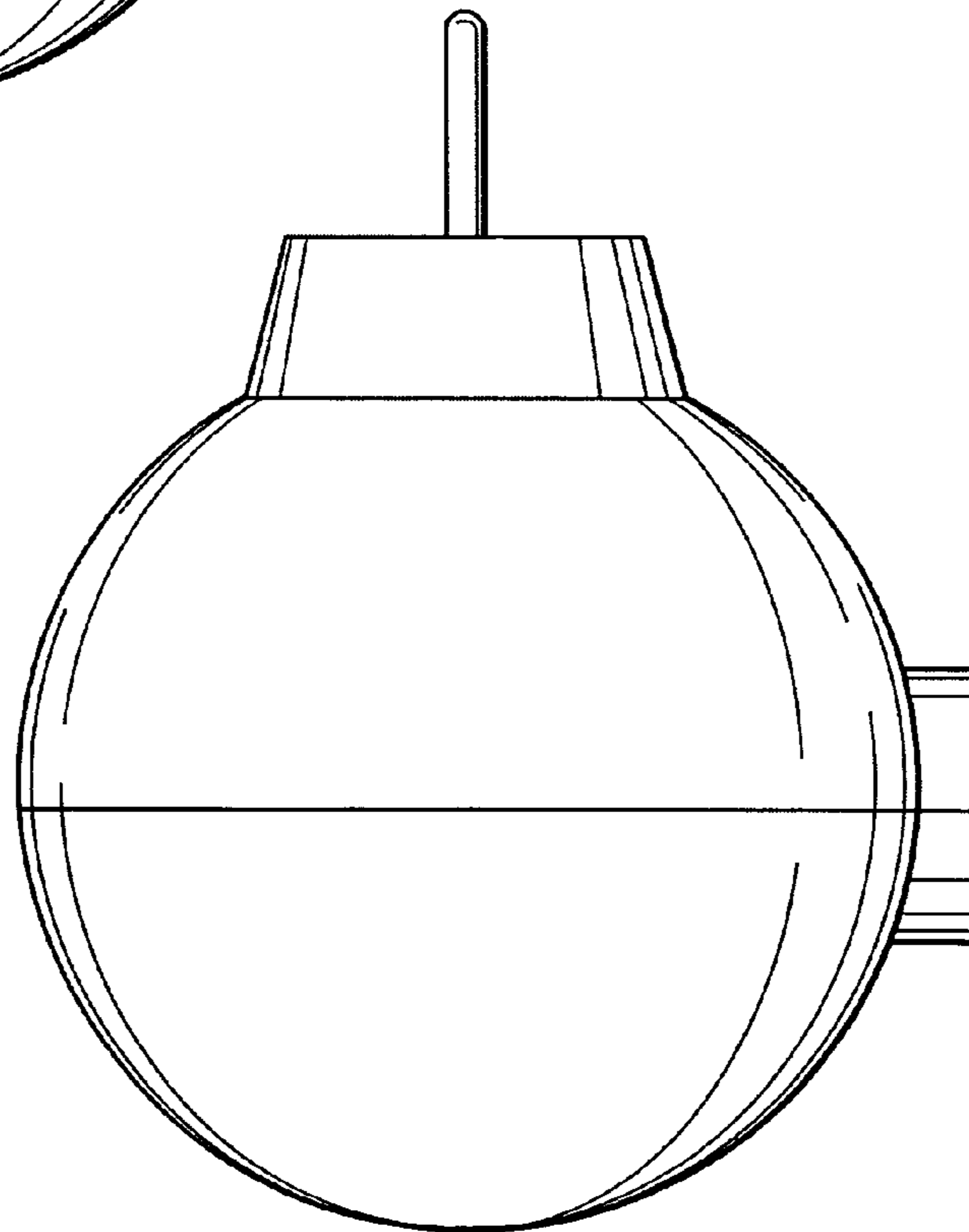
**Fig. 1**



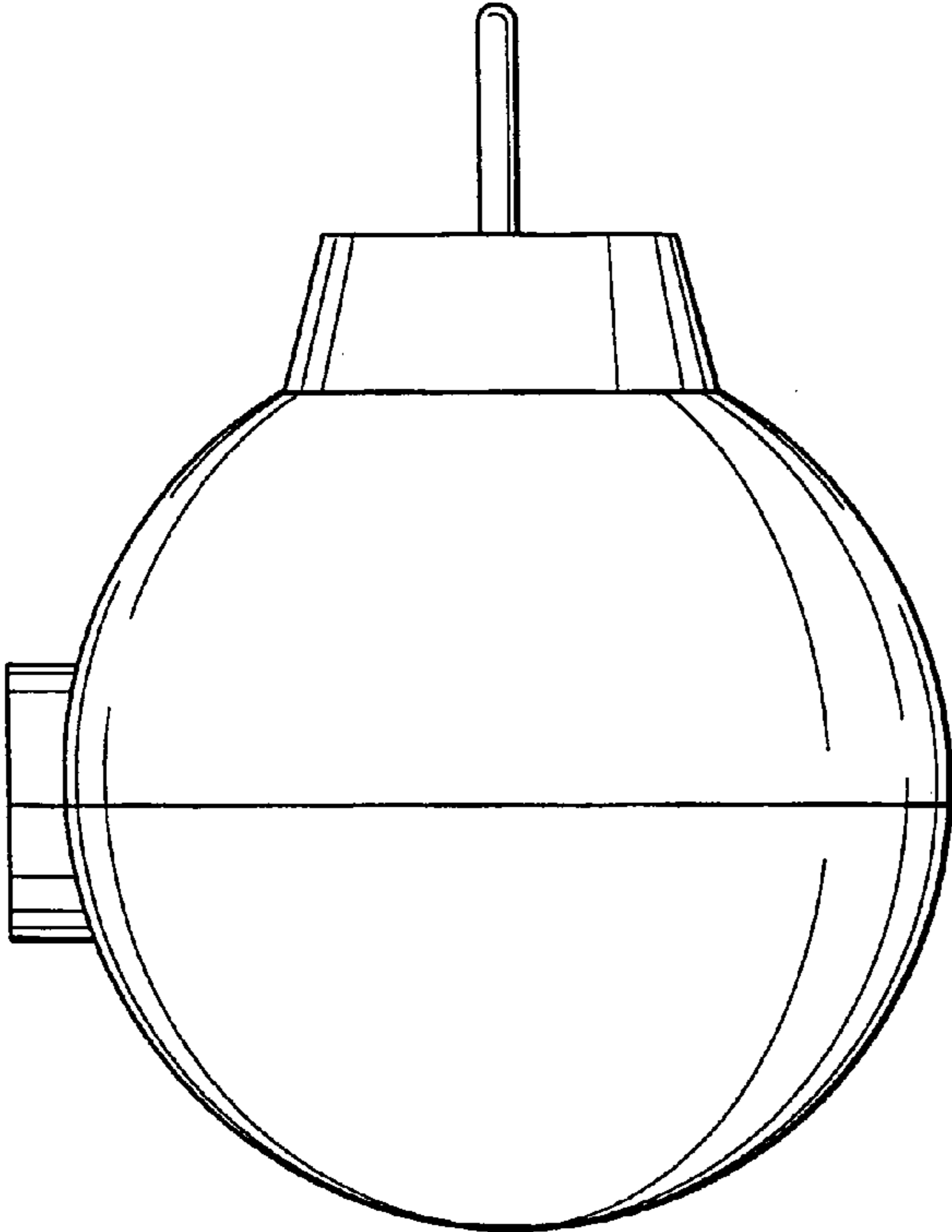
**Fig. 2**



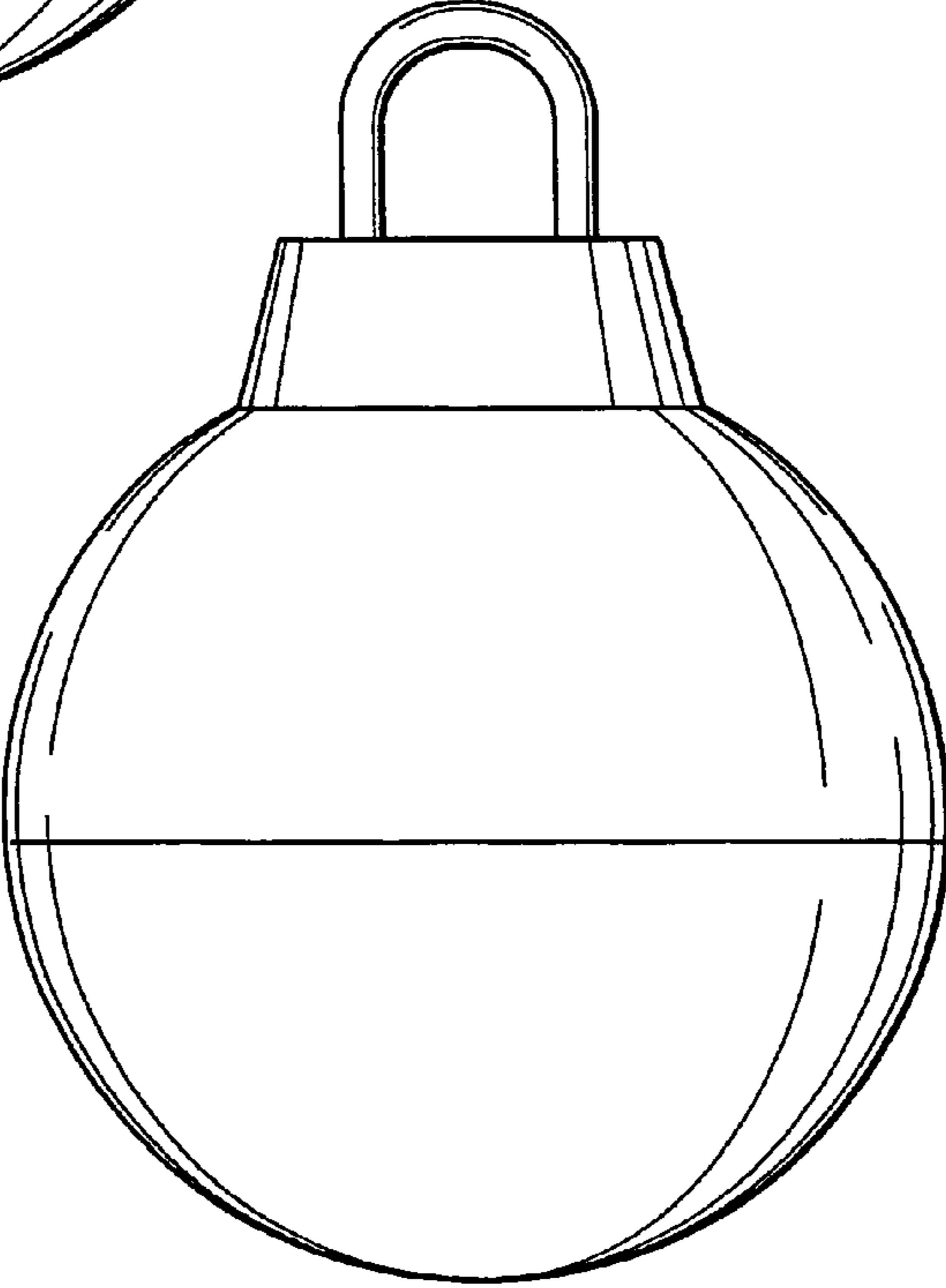
**Fig. 3**



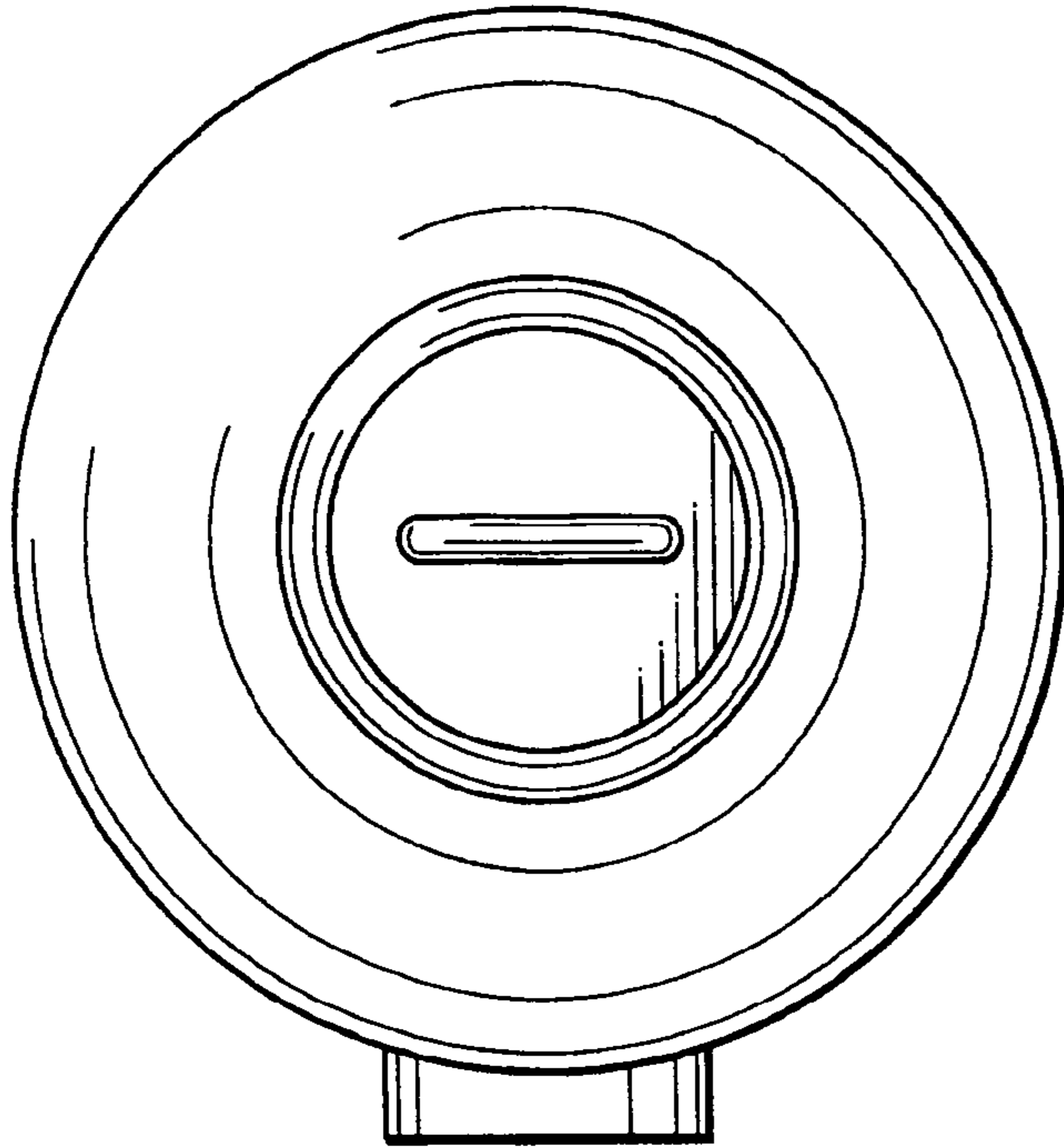
**Fig. 4**



**Fig. 5**



**Fig. 6**



**Fig. 7**

