



US00D608056S

(12) **United States Design Patent**
Evans

(10) **Patent No.:** **US D608,056 S**
(45) **Date of Patent:** **** Jan. 12, 2010**

(54) **ANIMAL KENNEL**

2008/0110411 A1* 5/2008 Cantrell 119/452

(76) Inventor: **Larry Elmer Evans**, 5804 Misty Hill
Cove, Austin, TX (US) 78759

* cited by examiner

(**) Term: **14 Years**

Primary Examiner—Mitchell I Siegel
(74) *Attorney, Agent, or Firm*—Scott D. Compton

(21) Appl. No.: **29/307,451**

(57) **CLAIM**

(22) Filed: **Apr. 21, 2008**

The ornamental design for an animal kennel, as shown and described.

(51) **LOC (9) Cl.** **30-02**

(52) **U.S. Cl.** **D30/108**

(58) **Field of Classification Search** D30/108,
D30/114, 116, 119; D25/50, 58; 119/452,
119/458, 479, 480

See application file for complete search history.

DESCRIPTION

FIG. 1 is a perspective view of an animal kennel showing my new design;

FIG. 2 is a front elevational view thereof;

FIG. 3 is a side elevational view thereof;

FIG. 4 is an enlarged perspective view of a portion of the bone pattern;

FIG. 5 is a detailed side view depicting the bone pattern of the flag of the animal kennel;

FIG. 6 is an enlarged perspective of the gate latch handle;

FIG. 7 is a top view of the gate latch handle;

FIG. 8 is a bottom view of the gate latch handle;

FIG. 9 is a front elevational view of the gate latch handle;

FIG. 10 is a right side elevational view of the gate latch handle; and,

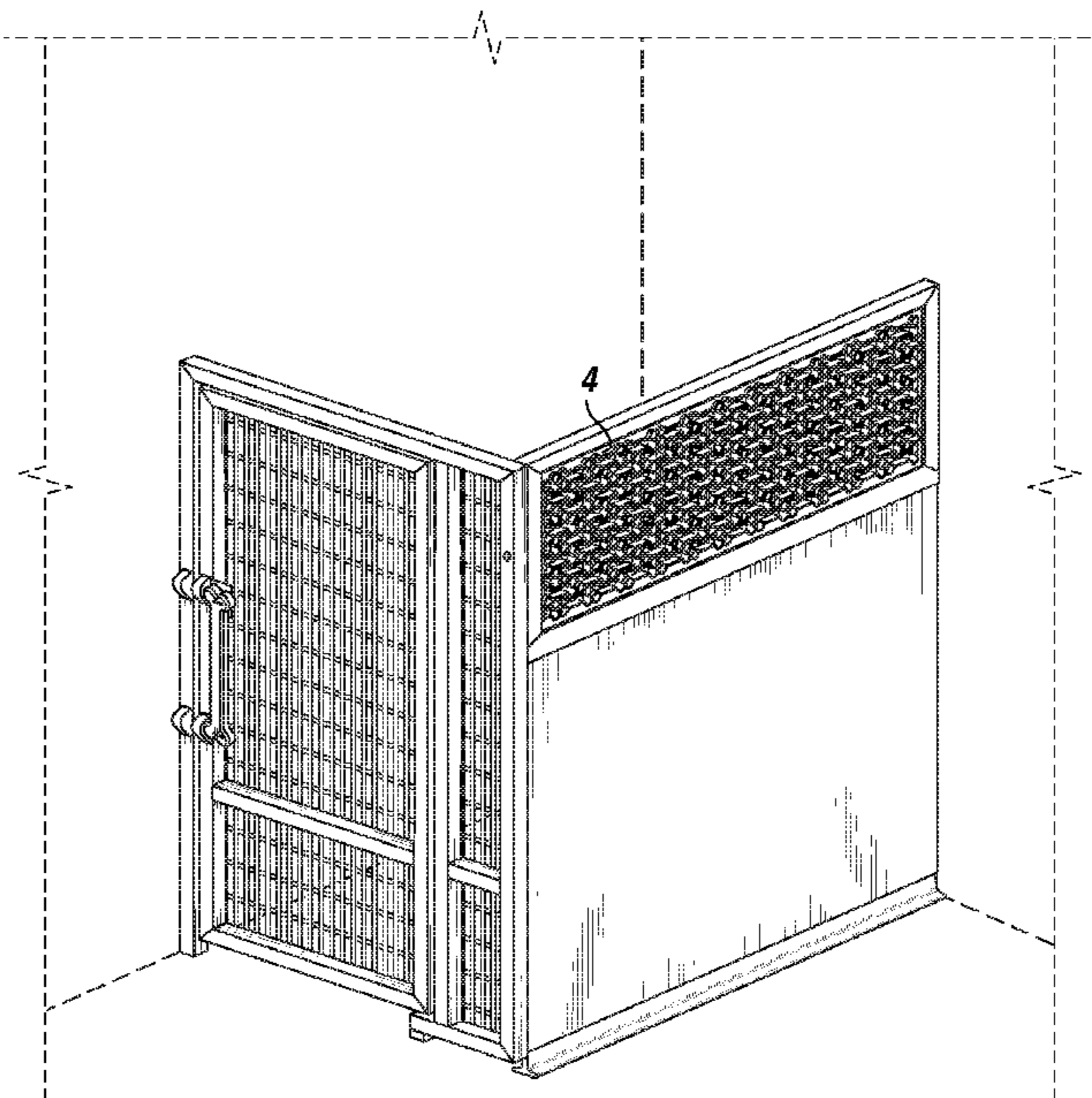
FIG. 11 is a left side elevational view of the gate latch handle.

(56) **References Cited**

U.S. PATENT DOCUMENTS

2,534,492	A	12/1950	Williams	
D216,804	S *	3/1970	Moore	D25/58
4,422,622	A	12/1983	Broski, Jr.	
D300,949	S *	5/1989	Johnson, Jr.	D25/50
5,054,426	A	10/1991	Panarelli et al.	
5,071,176	A	12/1991	Smith	
5,467,734	A	11/1995	Ho	
5,482,005	A *	1/1996	Thom	119/458
D367,734	S	3/1996	Sharp	
D381,134	S *	7/1997	Alford et al.	D30/119
D384,443	S	9/1997	Olfert	
D396,333	S *	7/1998	Alford et al.	D30/119

1 Claim, 6 Drawing Sheets



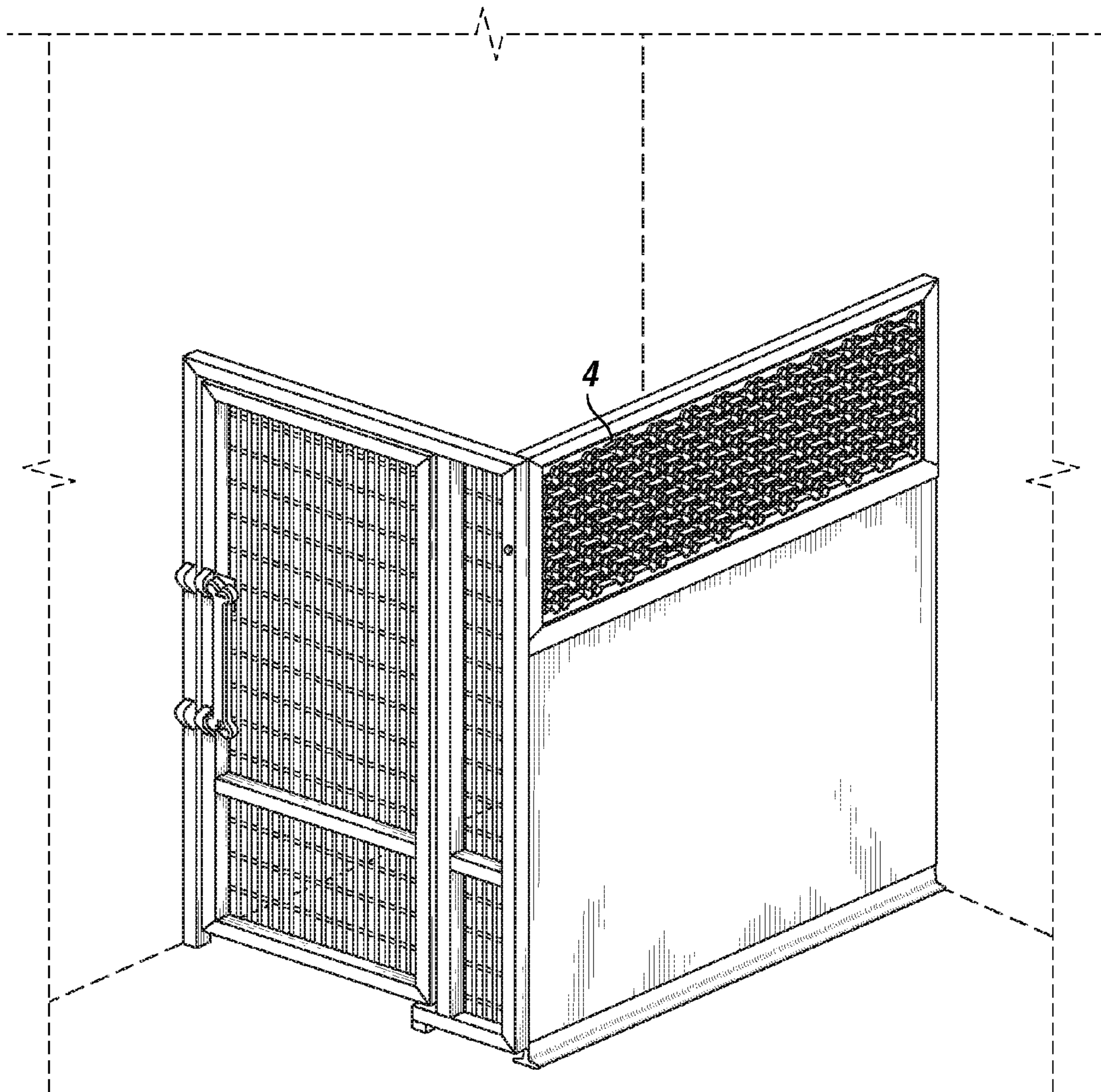


FIG. 1

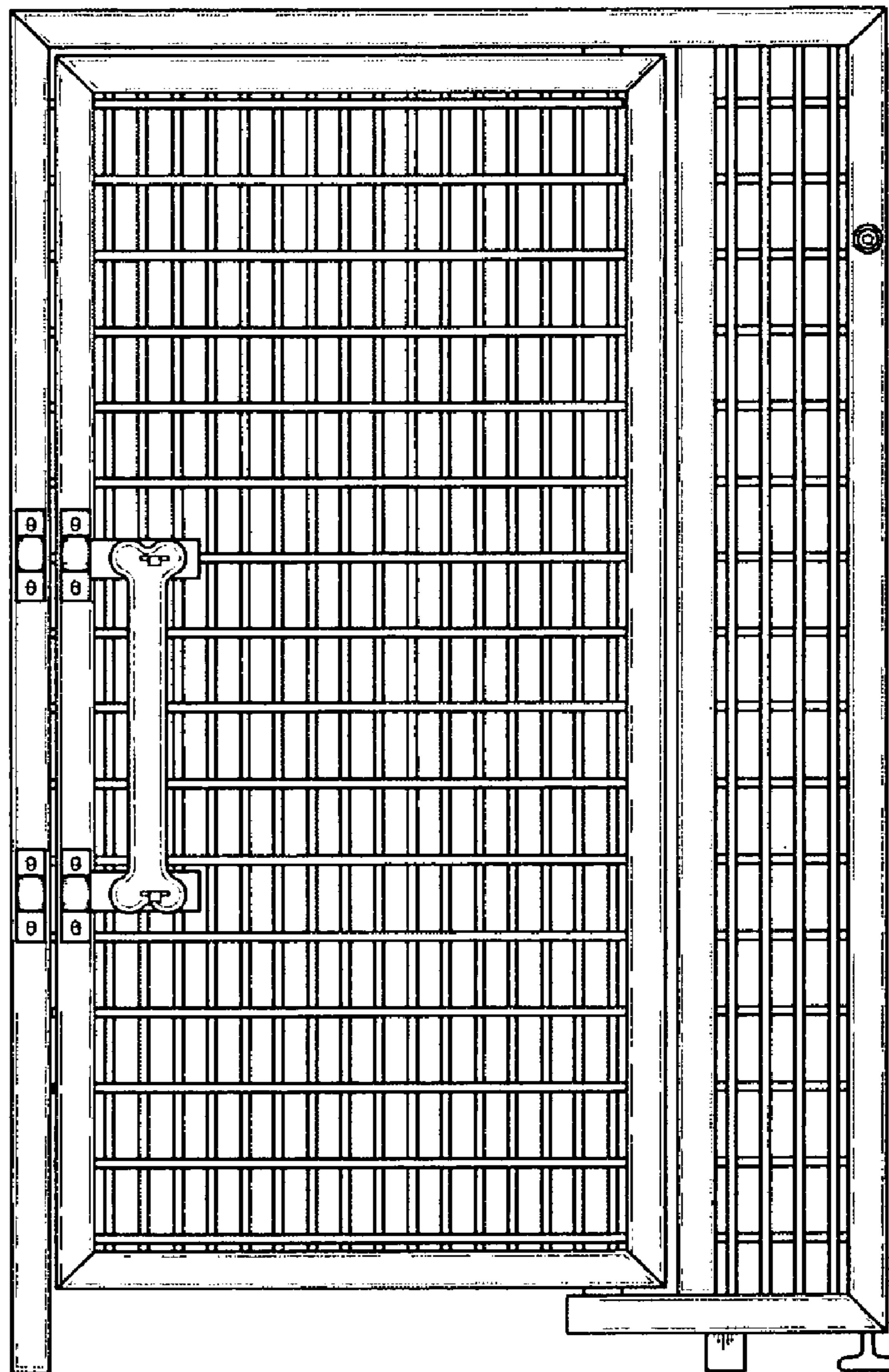


FIG. 2

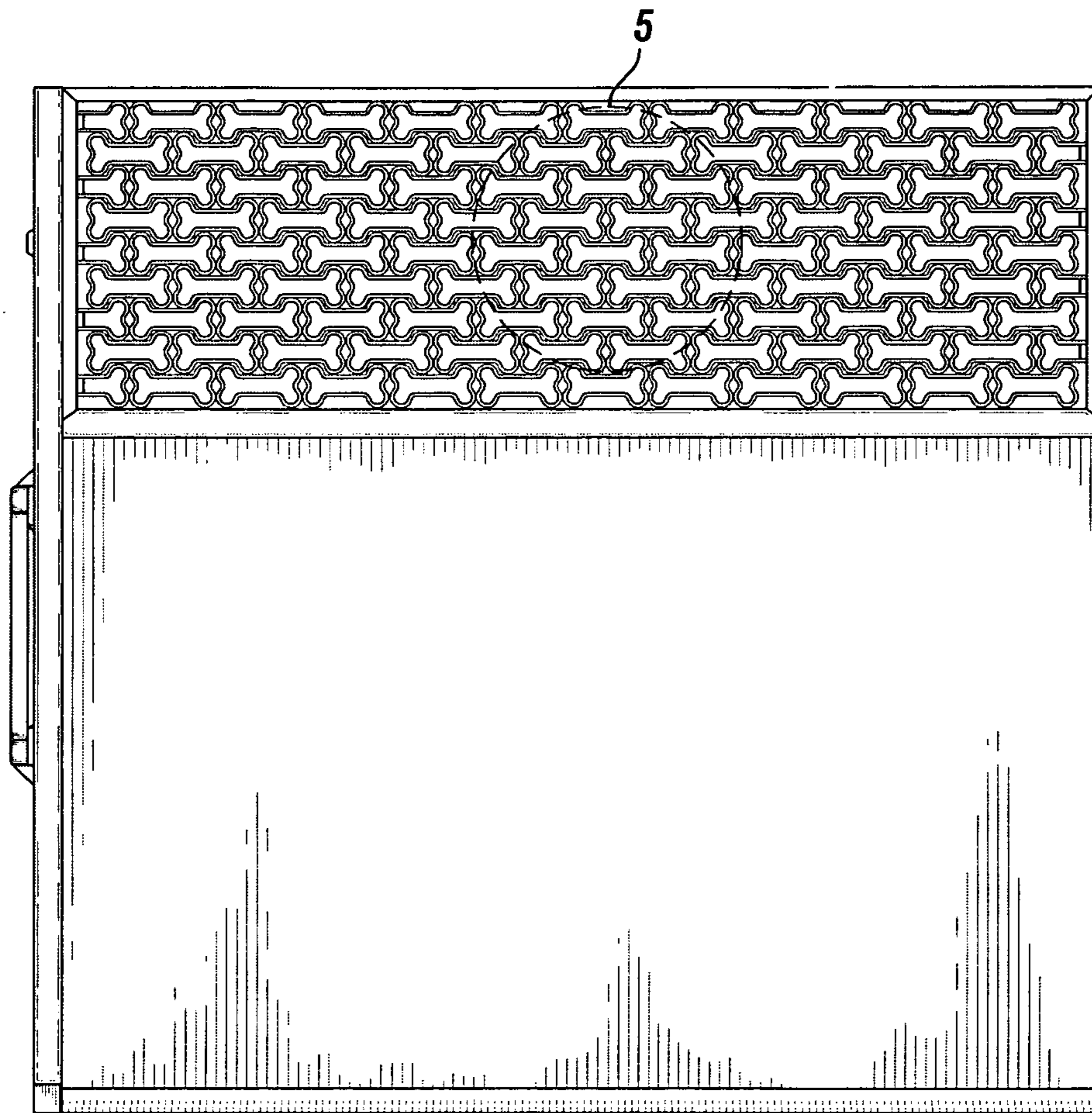


FIG. 3

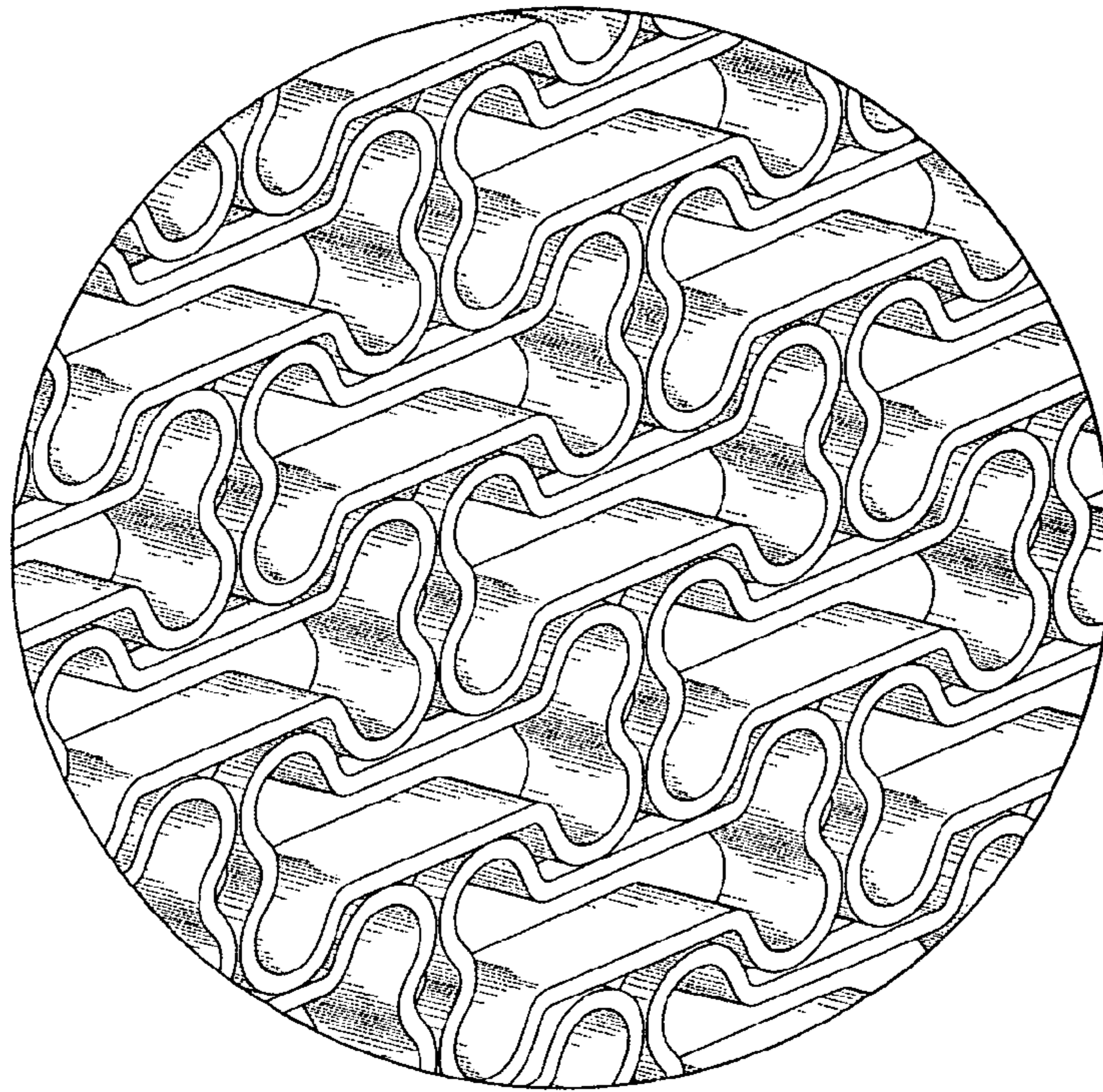


FIG. 4

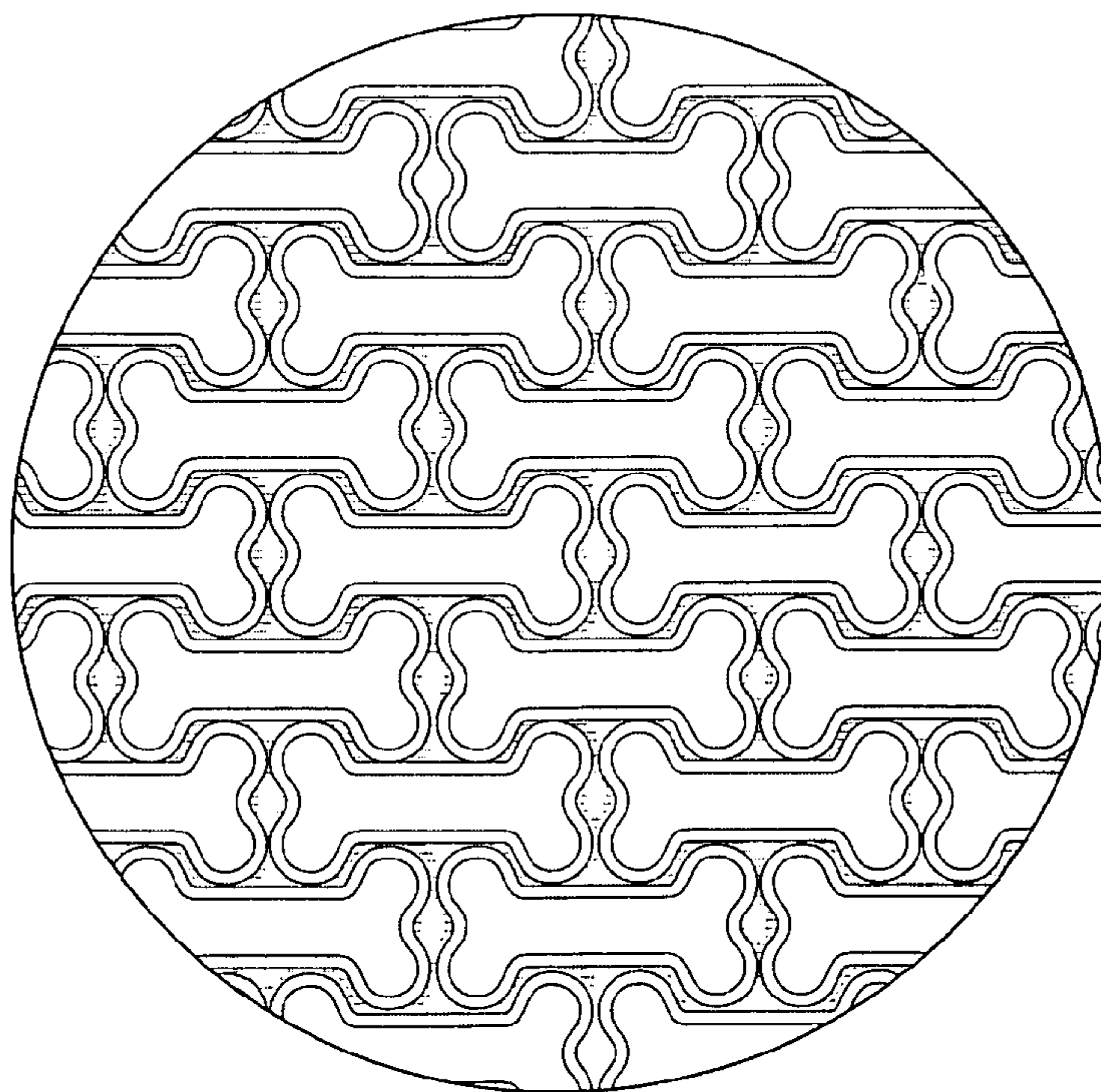


FIG. 5

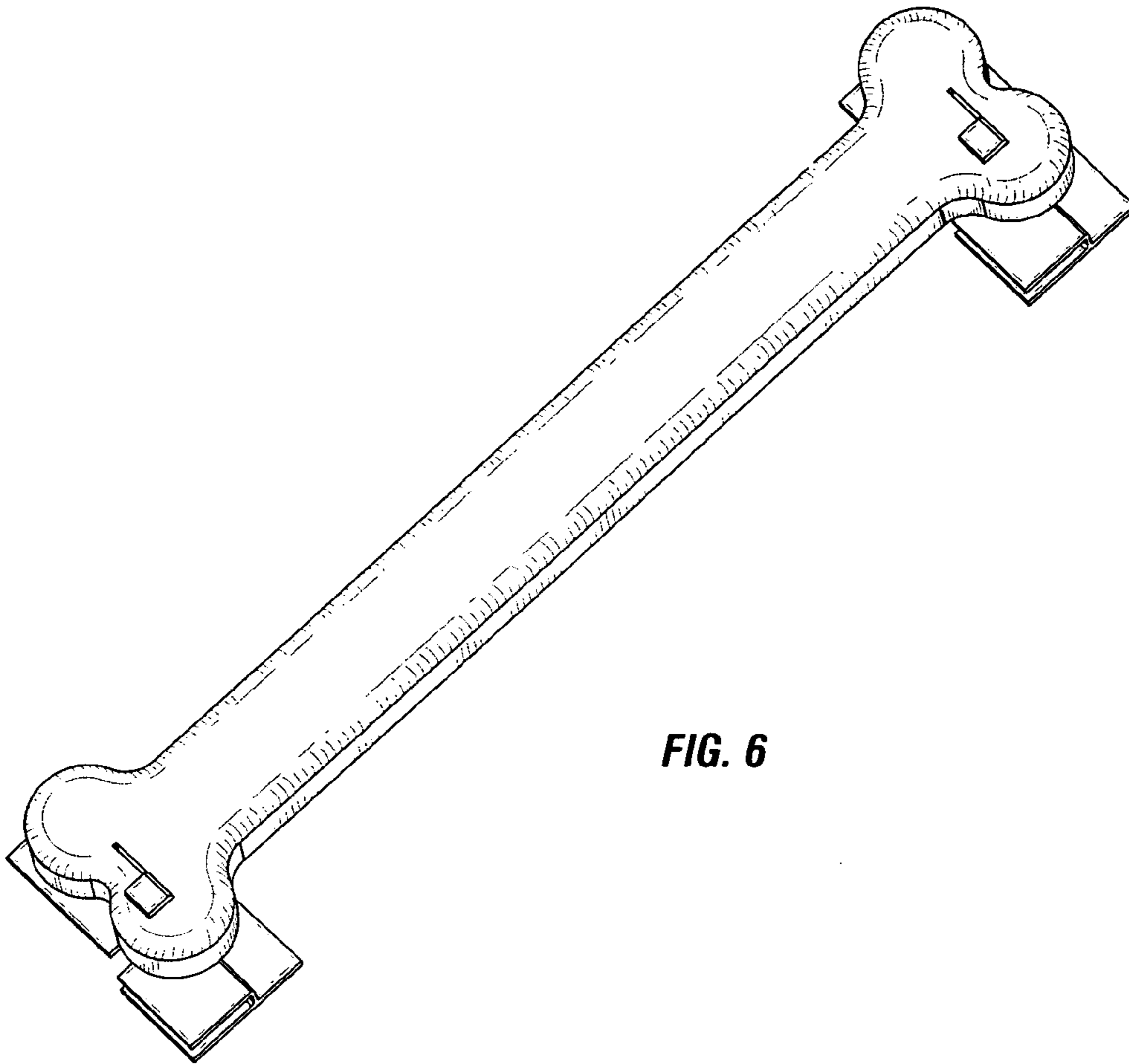


FIG. 6

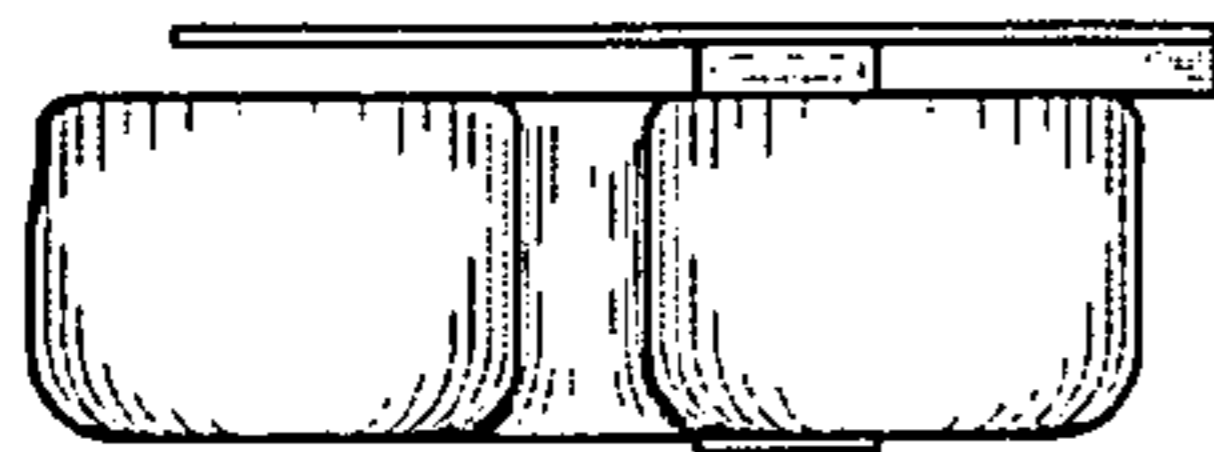


FIG. 7



FIG. 8

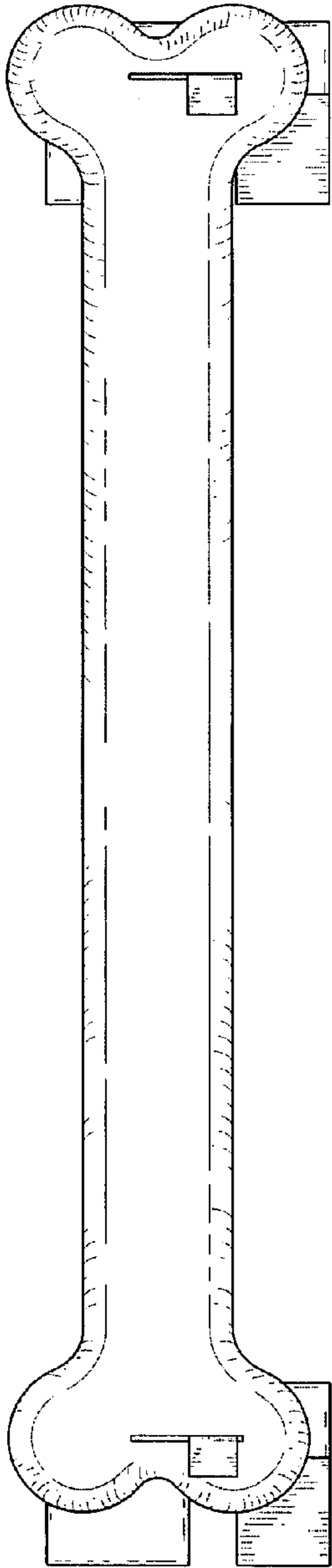


FIG. 9

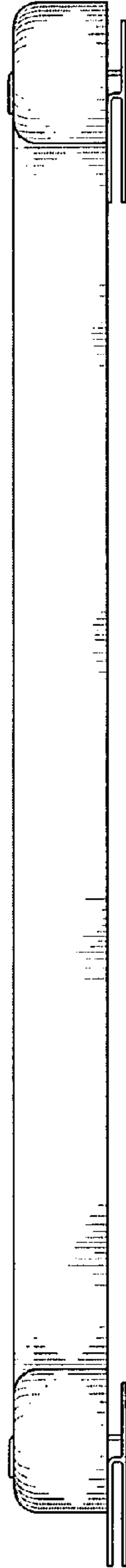


FIG. 10



FIG. 11