



US00D608054S

(12) **United States Design Patent**
Radfar

(10) **Patent No.:** **US D608,054 S**
(45) **Date of Patent:** **** Jan. 12, 2010**

(54) **HAIR DRYER BRACKET**

2004/0099624 A1* 5/2004 Hein 211/70.6

(76) Inventor: **Mehri Radfar**, 606 Mill Run, Paramus,
NJ (US) 07652

* cited by examiner

(**) Term: **14 Years**

Primary Examiner—Jennifer Rivard
(74) *Attorney, Agent, or Firm*—Gottlieb, Rackman &
Reisman, P.C.

(21) Appl. No.: **29/319,663**

(57) **CLAIM**

(22) Filed: **Jun. 12, 2008**

An ornamental design for a hair dryer bracket, as shown and
described.

(51) **LOC (9) Cl.** **28-03**

(52) **U.S. Cl.** **D28/73; D6/567**

(58) **Field of Classification Search** D28/38,
D28/73; D6/567; 211/70.6, 98; 248/117.1–117.7,
248/176.2

DESCRIPTION

See application file for complete search history.

FIG. 1 is a top, front and left perspective view of the hair dryer
bracket showing my new design;

FIG. 2 is a top plan view thereof;

FIG. 3 is a front view thereof;

FIG. 4 is a right side view thereof, the left side being a mirror
image;

FIG. 5 is a back view thereof; and,

FIG. 6 is a bottom plan view thereof.

The broken line showing the environment in FIGS. 1, 2 and 6
is for illustrative purpose only and forms no part of the
claimed design.

(56) **References Cited**

U.S. PATENT DOCUMENTS

4,446,972	A *	5/1984	Sussman	211/70.6
D289,110	S *	4/1987	Wagner et al.	D6/567
4,871,074	A *	10/1989	Bryson et al.	211/70.6
D347,538	S *	6/1994	Fleischer	D6/567
D372,827	S *	8/1996	Roche et al.	D6/567
5,743,415	A *	4/1998	Smart	211/70.6
D406,715	S *	3/1999	Badillo	D6/567
D584,856	S *	1/2009	Kirschenmann	D28/73
D584,857	S *	1/2009	Kirschenmann	D28/73

1 Claim, 3 Drawing Sheets

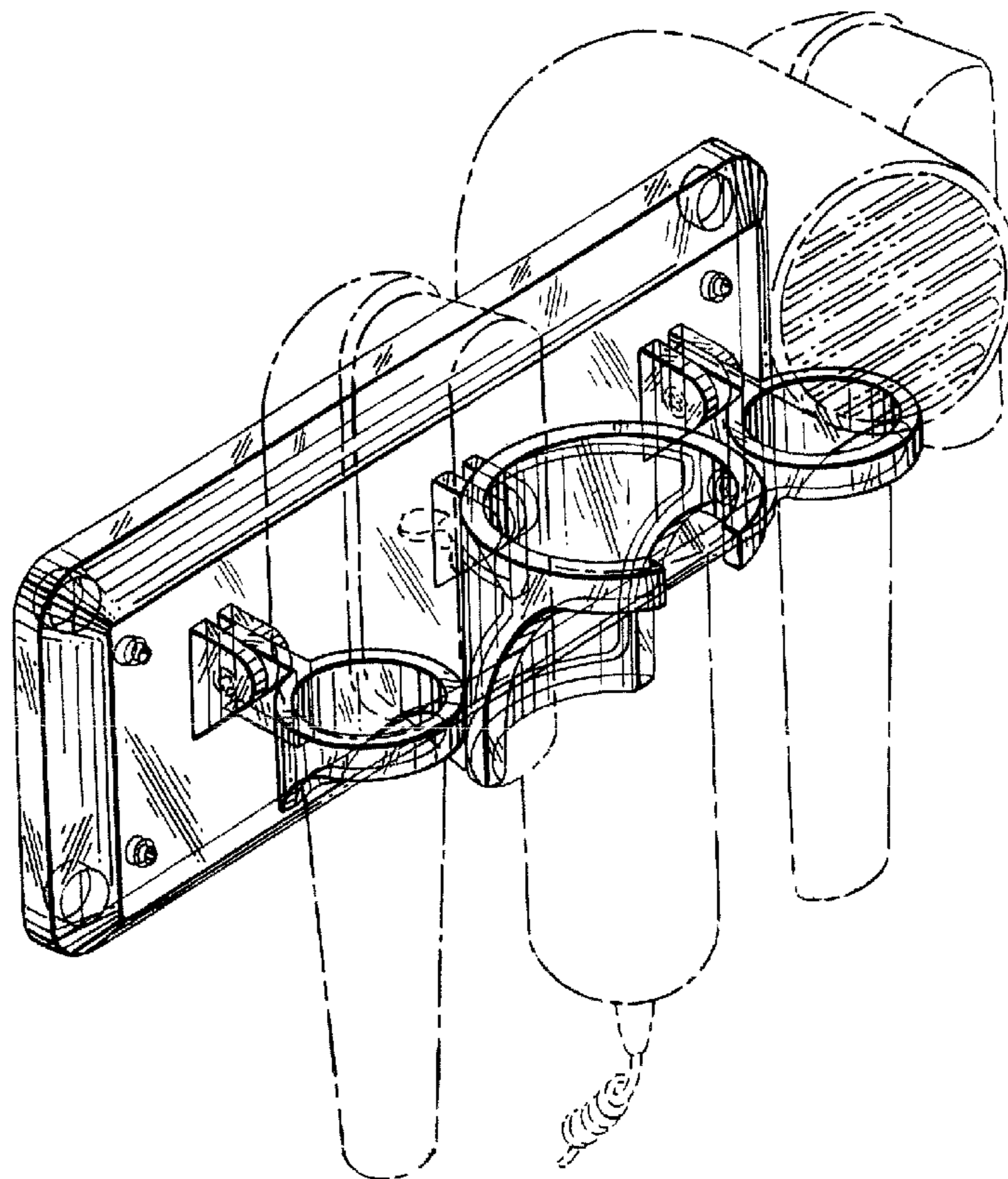


FIG. 1

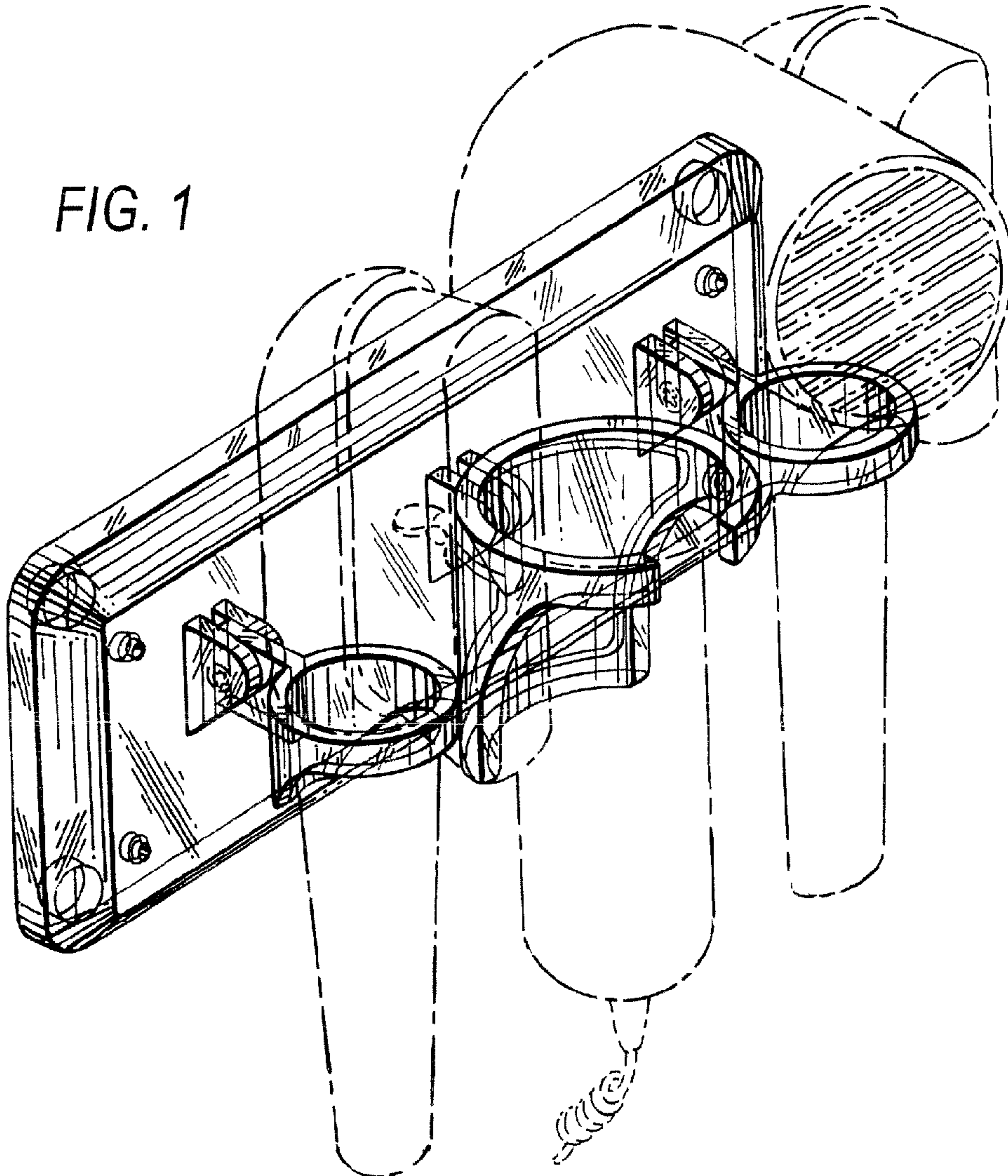


FIG. 4

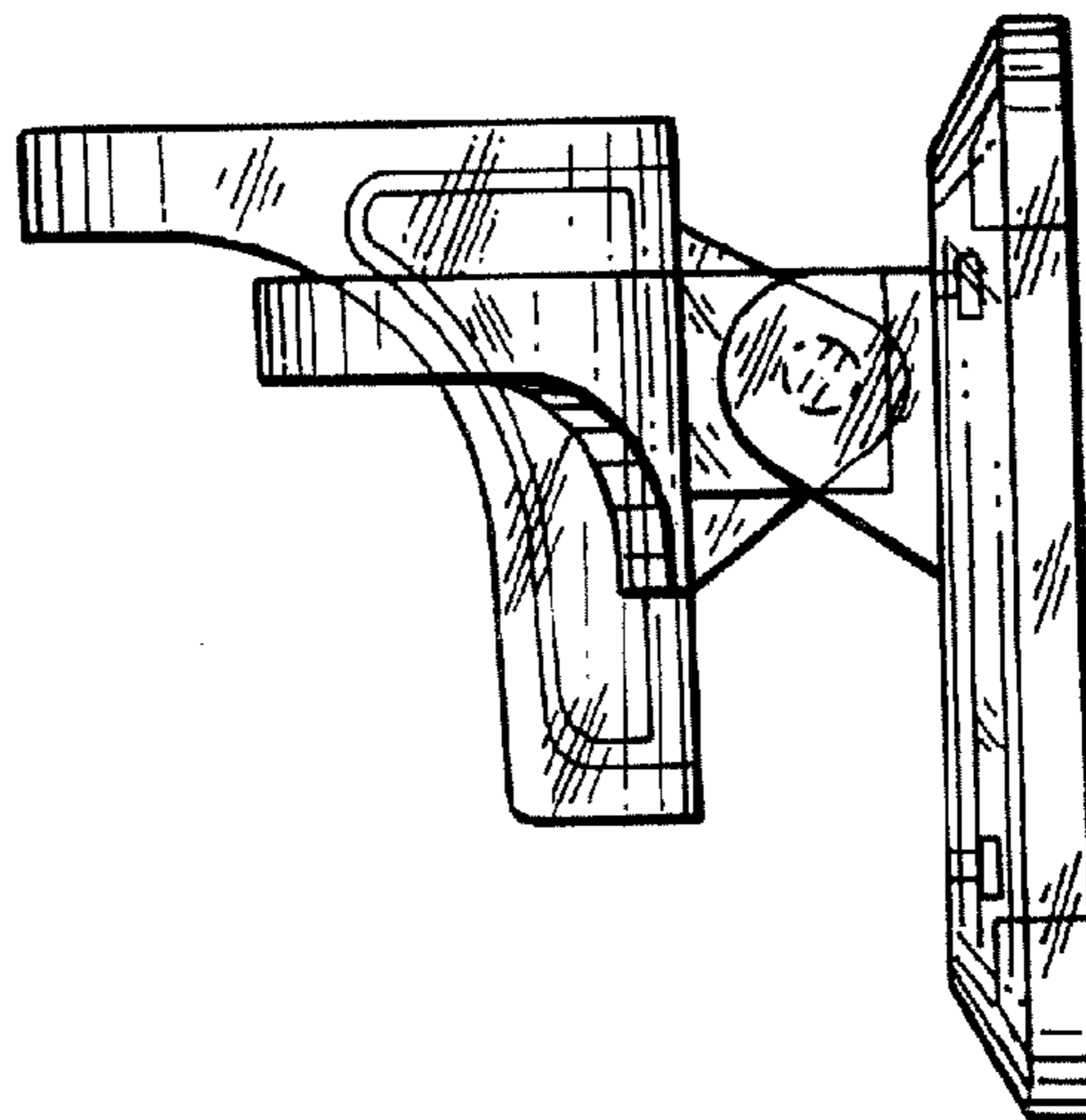


FIG. 2

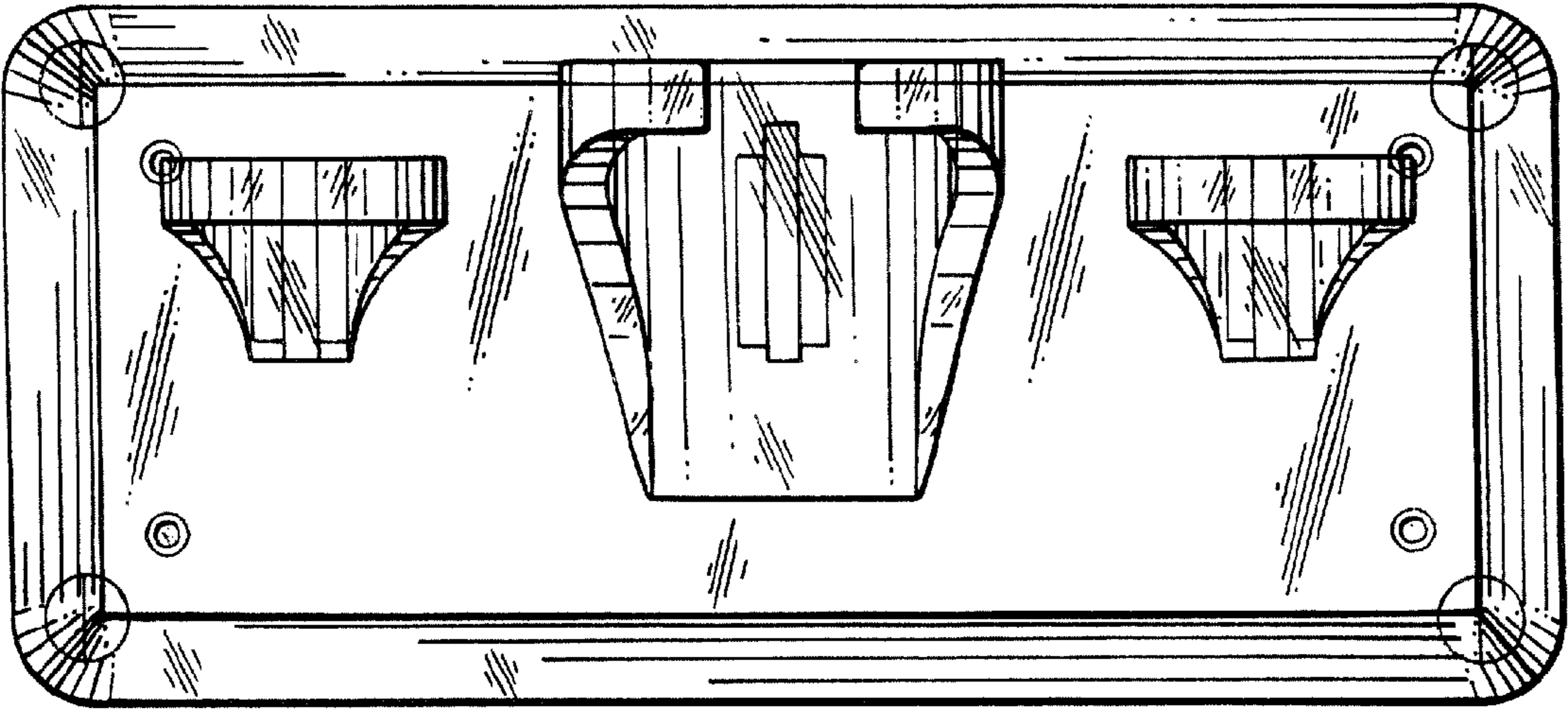
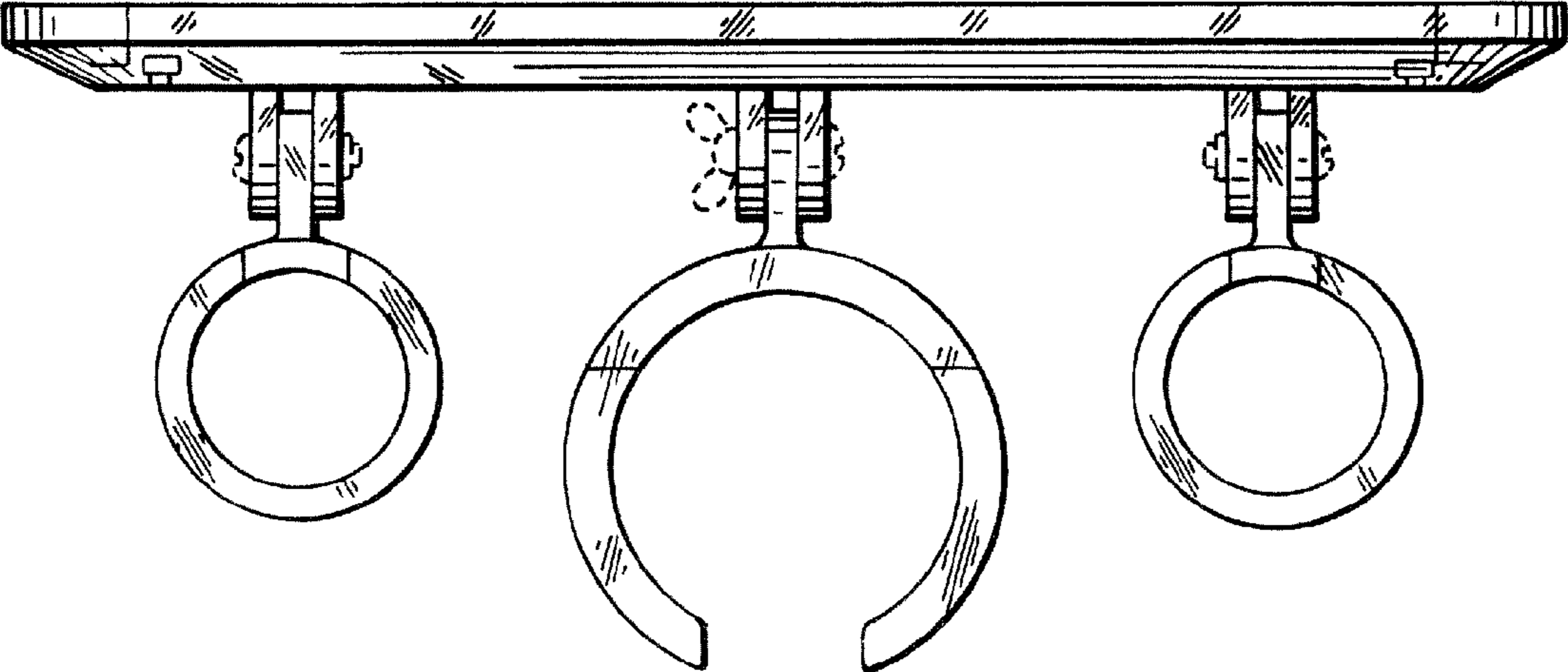


FIG. 3

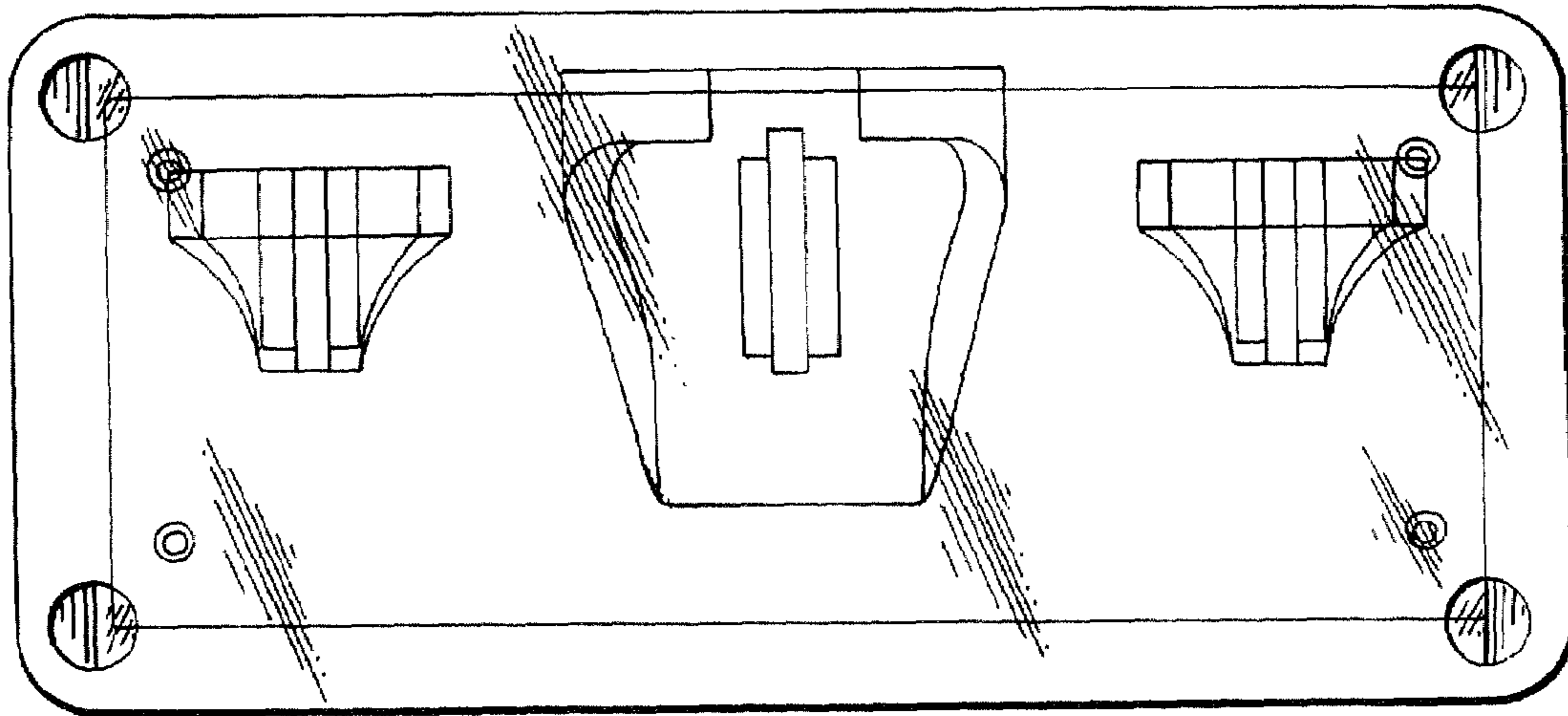


FIG. 5

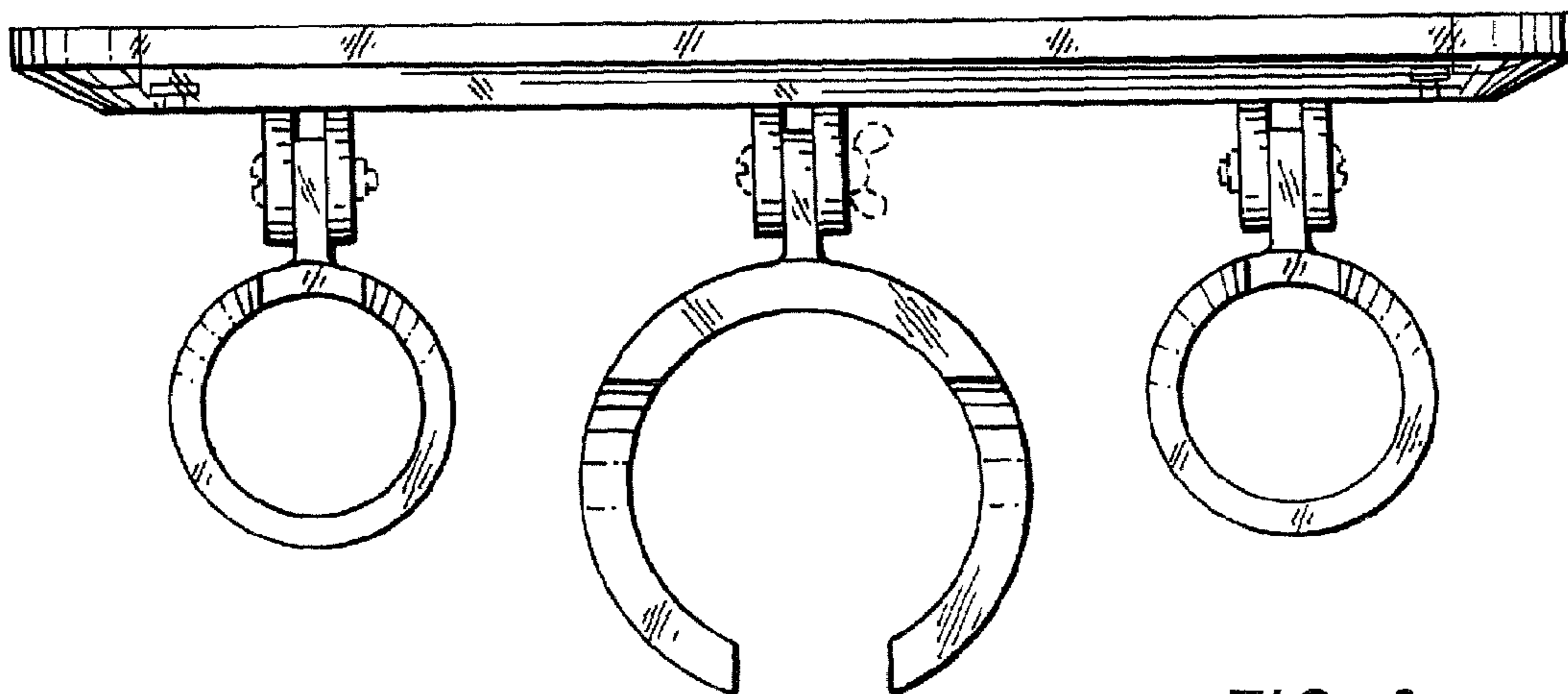


FIG. 6