



US00D608047S

(12) **United States Design Patent**
Scheper et al.

(10) **Patent No.:** **US D608,047 S**

(45) **Date of Patent:** **** Jan. 12, 2010**

(54) **LIGHT ASSEMBLY**

(75) Inventors: **Robert M. Scheper**, East Grand Rapids, MI (US); **Steven J. Beukema**, Ada, MI (US)

(73) Assignee: **Steelcase Inc.**, Grand Rapids, MI (US)

(**) Term: **14 Years**

(21) Appl. No.: **29/318,750**

(22) Filed: **May 27, 2008**

(51) **LOC (9) Cl.** **26-99**

(52) **U.S. Cl.** **D26/138**

(58) **Field of Classification Search** D6/366, D6/498, 495; 135/16; D34/5, 17, 27; D24/128; 362/410, 416, 801, 804, 319, 344, 345, 376, 362/396, 102, 145, 147, 219, 647; D26/145, D26/150, 120, 128, 129, 138, 140, 141, 142, D26/151, 154, 108, 109, 110, 111, 112, 113, D26/118, 119, 155, 92, 93, 102, 103, 104, D26/106, 107, 42, 24, 60, 61, 62, 63, 64, D26/65, 66, 67, 68, 71, 72, 75, 76, 80, 81, D26/83, 85, 86, 87, 88, 89, 90
See application file for complete search history.

(56) **References Cited**

U.S. PATENT DOCUMENTS

D147,900	S	*	11/1947	Fanelli	D26/60
D290,884	S	*	7/1987	Sano et al.	D26/65
4,744,019	A	*	5/1988	Krogsrud	362/402
D301,632	S	*	6/1989	Lohrentz	D26/61
6,086,228	A	*	7/2000	McGowan et al.	362/396
D511,395	S	*	11/2005	August	D26/106
D542,955	S	*	5/2007	Hodgson	D26/60
D556,363	S	*	11/2007	Komar et al.	D26/106
D571,943	S	*	6/2008	Tragatschnig	D26/61
D580,578	S	*	11/2008	Chien	D26/63

* cited by examiner

Primary Examiner—Cathron C Brooks

Assistant Examiner—Kevin K Rudzinski

(74) *Attorney, Agent, or Firm*—Price, Heneveld, Cooper, DeWitt & Litton, LLP

(57) **CLAIM**

The ornamental design for the light assembly, as shown and described.

DESCRIPTION

FIG. 1 is a perspective view showing a front, top and side of a first embodiment of a light assembly;

FIG. 2 is a front elevational view of the first embodiment of the light assembly;

FIG. 3 is an elevational view of the side of the first embodiment of the light assembly, the opposite side being a mirror image thereof;

FIG. 4 is a rear elevational view of the first embodiment of the light assembly;

FIG. 5 is a top plan view of the first embodiment of the light assembly;

FIG. 6 is a bottom plan view of the first embodiment of the light assembly;

FIG. 7 is a perspective view showing a front, top and side of a second embodiment of a light assembly;

FIG. 8 is a front elevational view of the second embodiment of the light assembly;

FIG. 9 is an elevational view of the side of the second embodiment of the light assembly, the opposite side being a mirror image thereof;

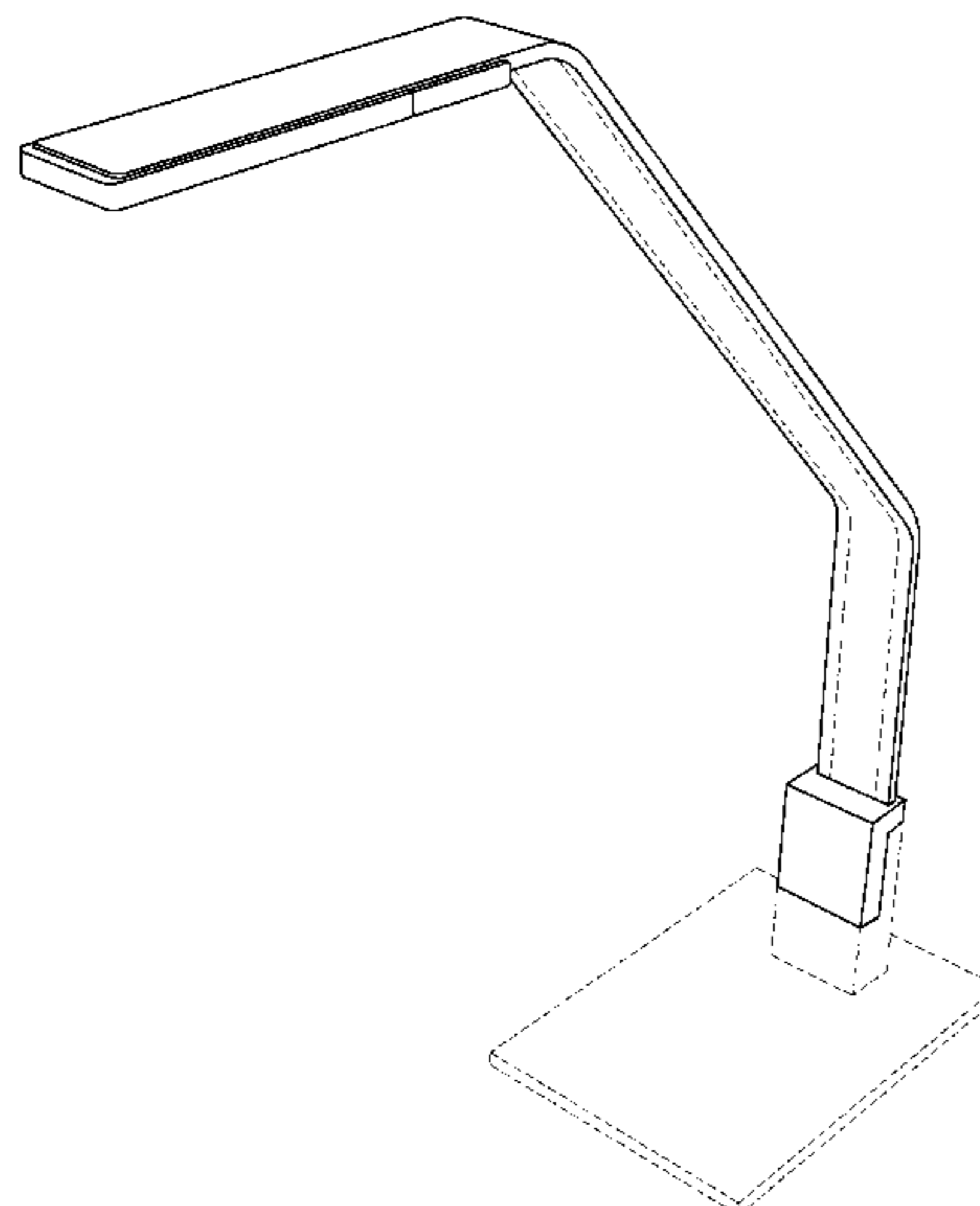
FIG. 10 is a rear elevational view of the second embodiment of the light assembly;

FIG. 11 is a top plan view of the second embodiment of the light assembly; and,

FIG. 12 is a bottom plan view of the second embodiment of the light assembly.

The dashed lines in the figures are shown for illustrative purposes only and form no part of the invention as claimed.

1 Claim, 6 Drawing Sheets



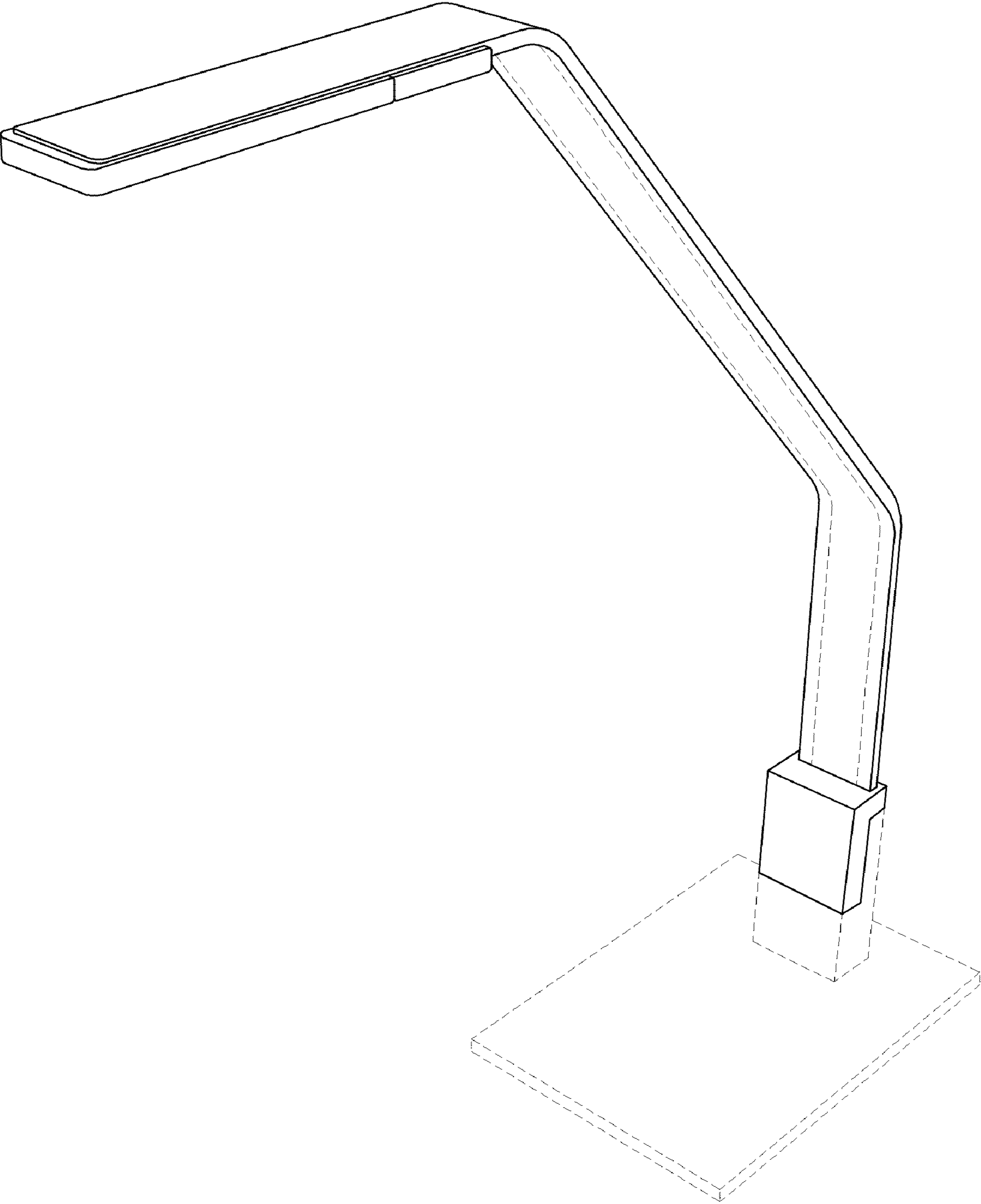


FIG. 1

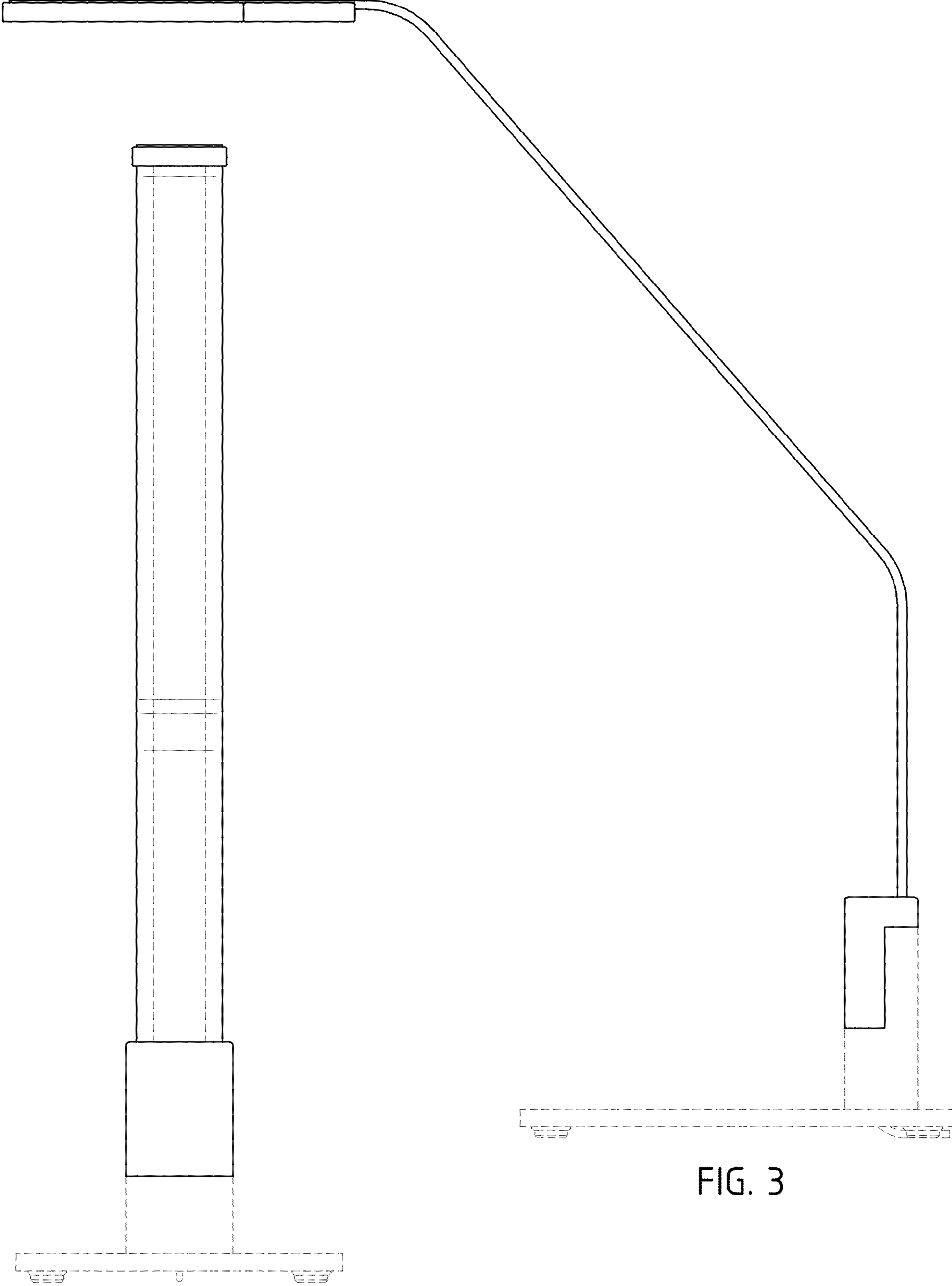


FIG. 2

FIG. 3

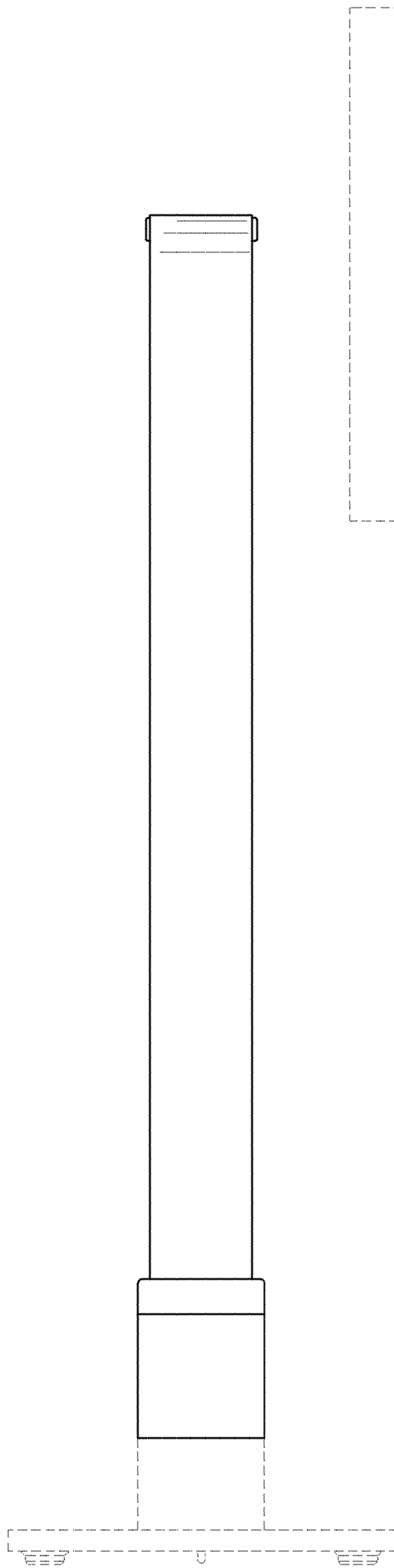


FIG. 4

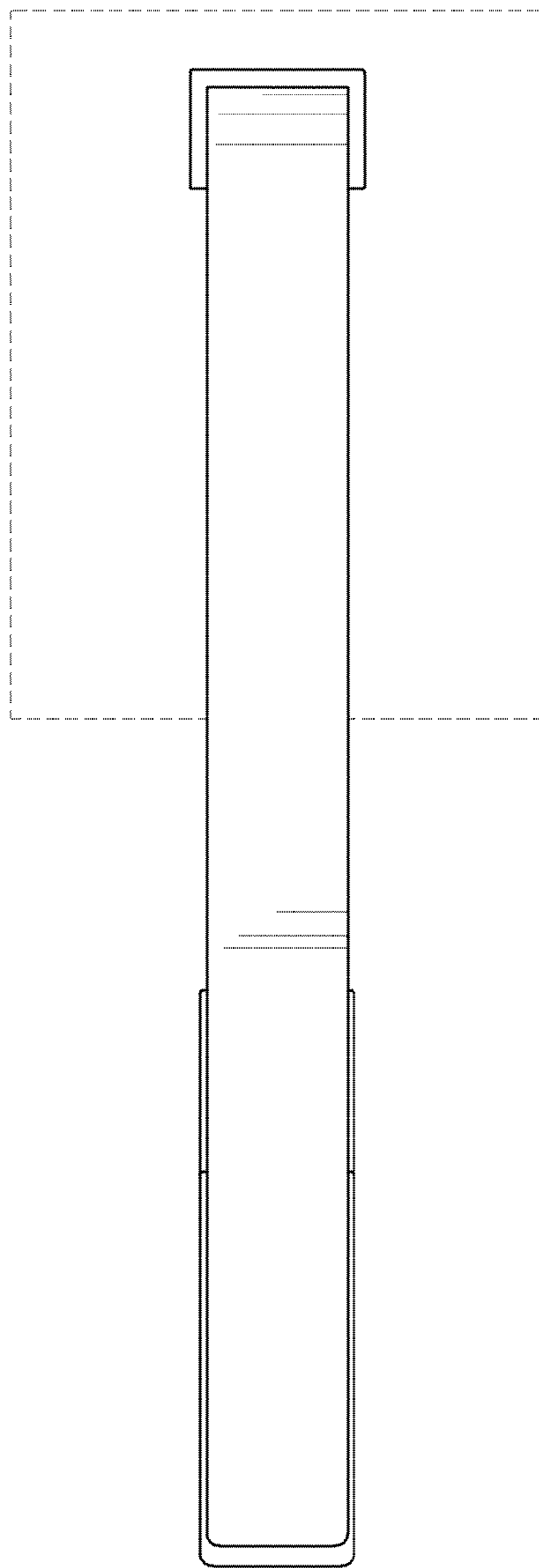


FIG. 5

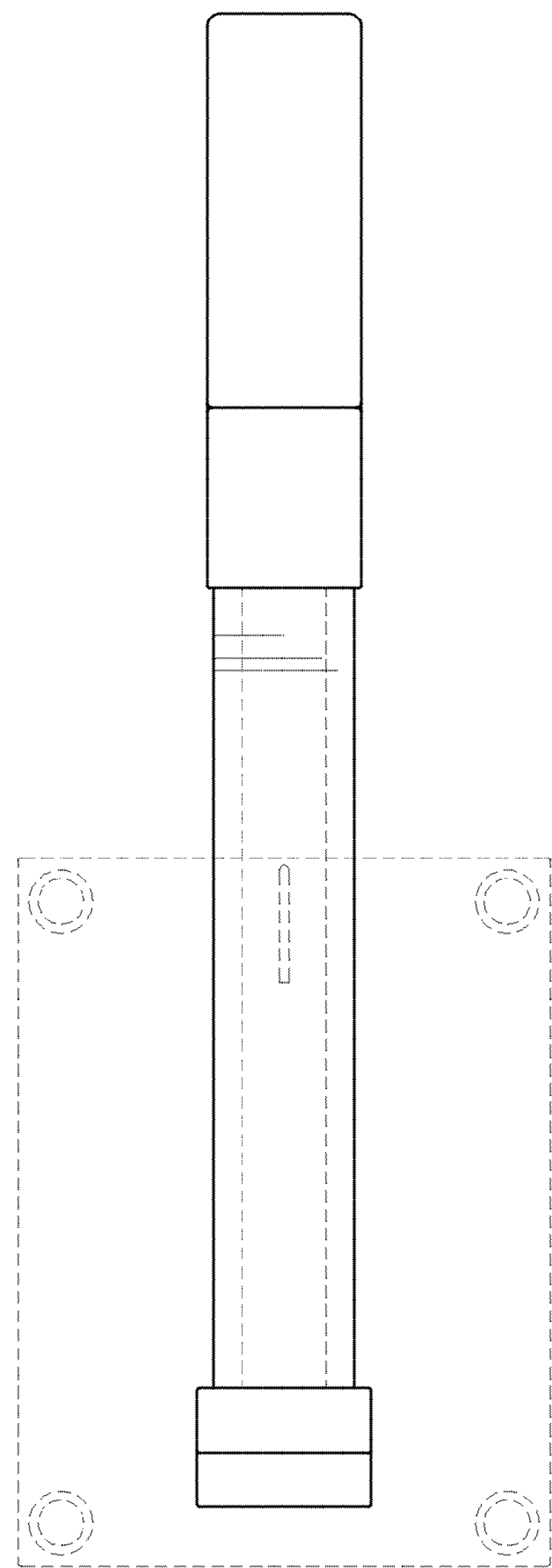


FIG. 6

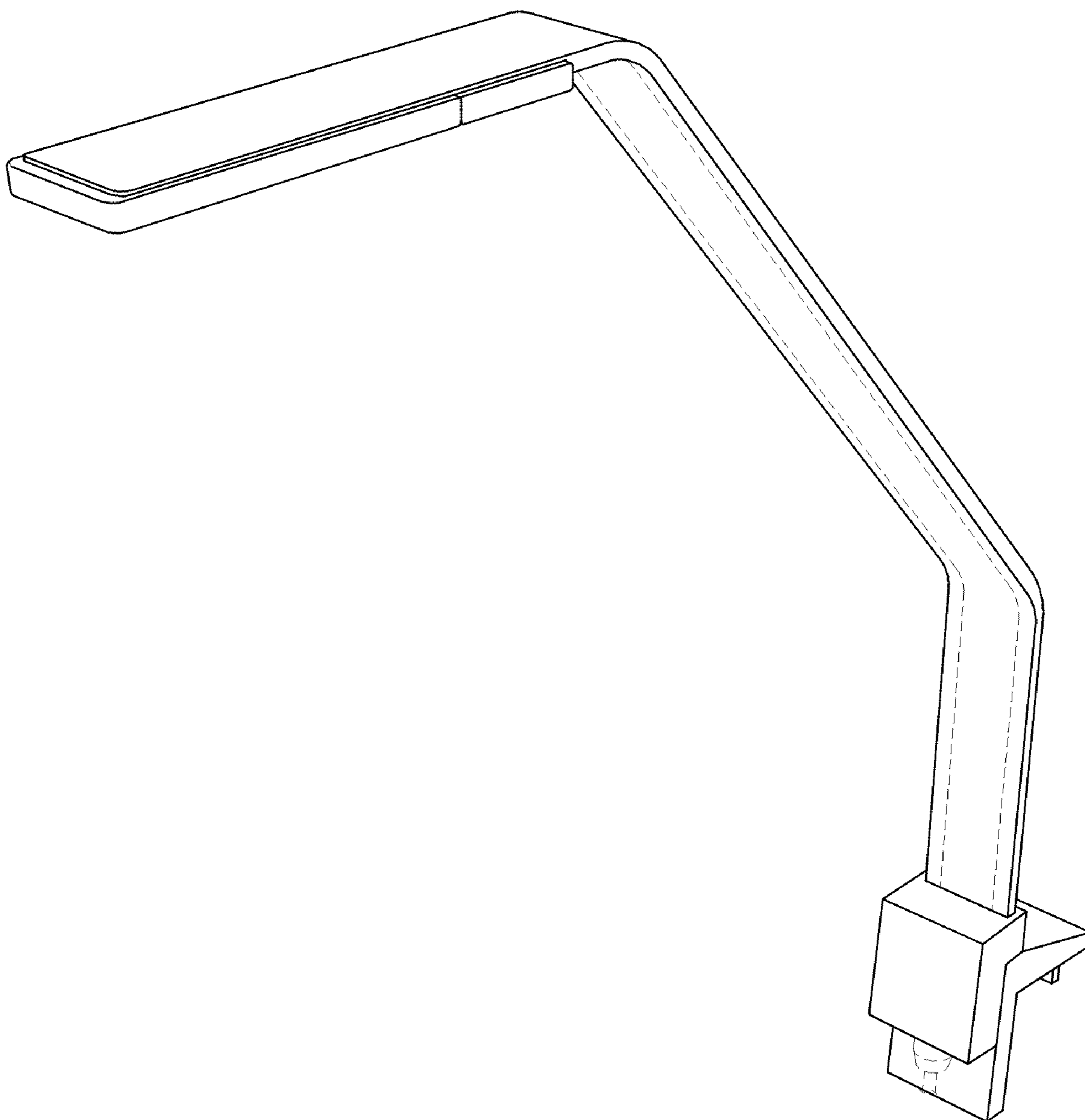


FIG. 7

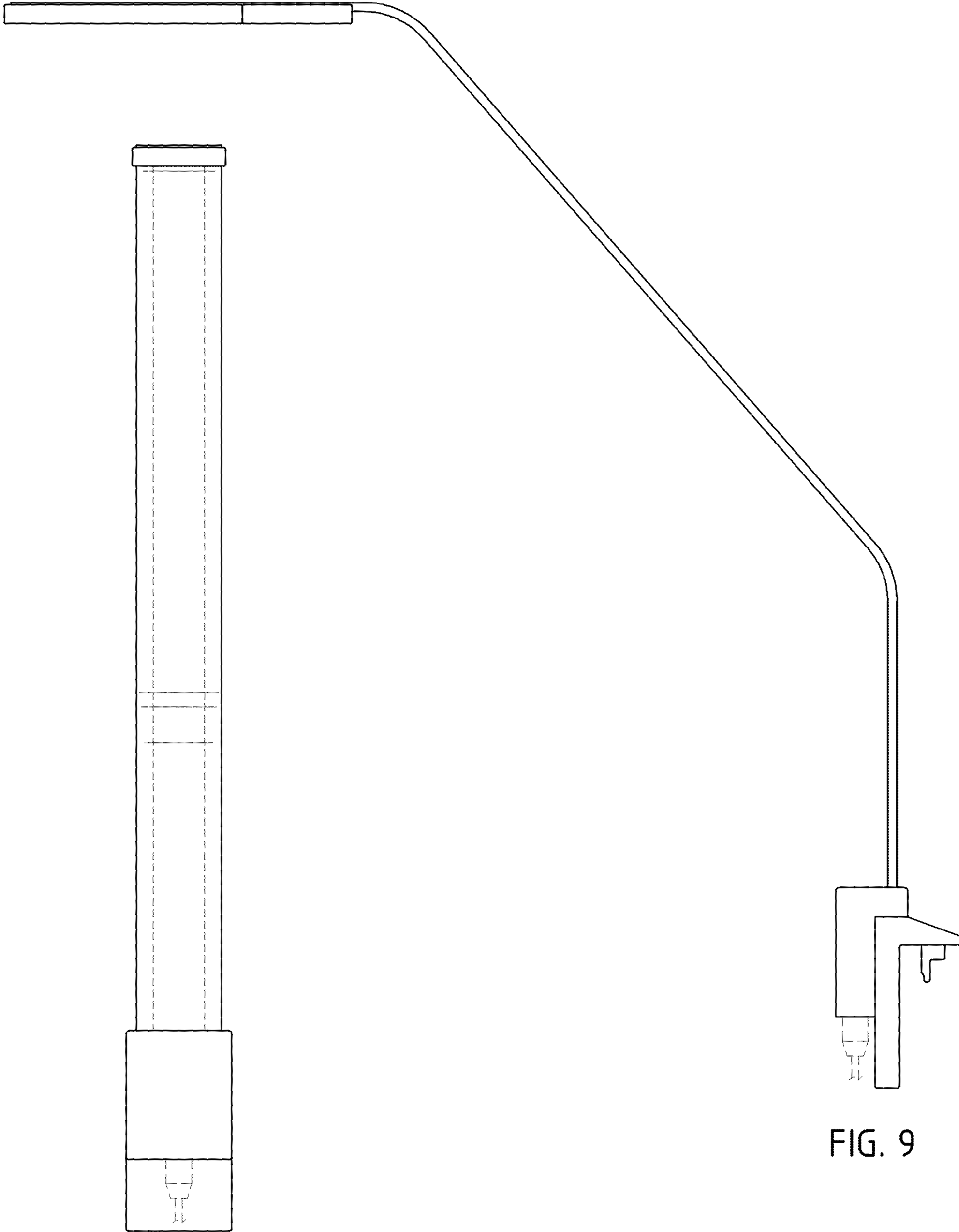


FIG. 8

FIG. 9

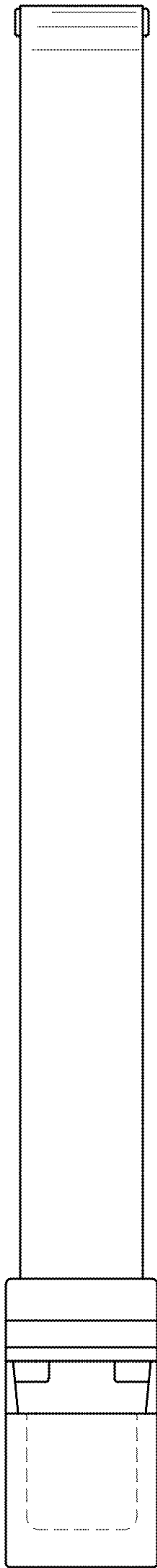


FIG. 10

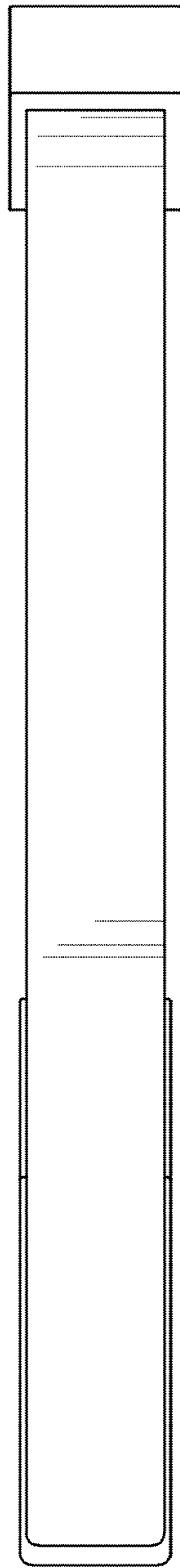


FIG. 11

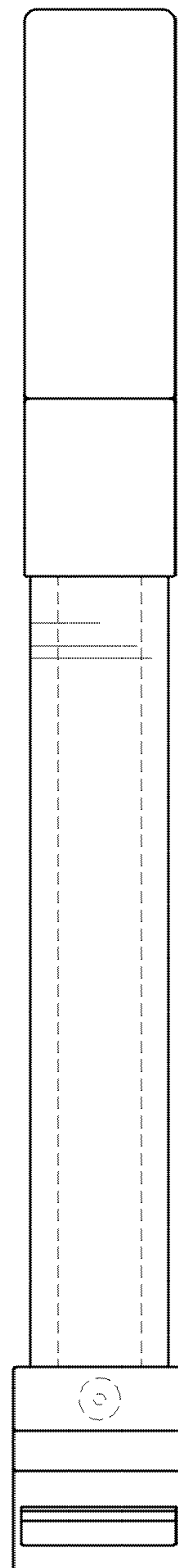


FIG. 12