



US00D608046S

(12) **United States Design Patent**
Chien

(10) **Patent No.:** **US D608,046 S**
(45) **Date of Patent:** **** Jan. 12, 2010**

(54) **DESK LAMP**

D571,943 S * 6/2008 Tragatschnig D26/61
D574,530 S * 8/2008 Tragatschnig D26/61
D579,597 S * 10/2008 Ng D26/61

(75) Inventor: **Wen-Hsiang Chien**, Taipei (TW)

(73) Assignee: **Advanced Connectek Inc.**, Taipei (TW)

* cited by examiner

(**) Term: **14 Years**

Primary Examiner—Brian N Vinson

(21) Appl. No.: **29/319,024**

(74) *Attorney, Agent, or Firm*—Jianq Chyun IP Office

(22) Filed: **Jun. 3, 2008**

(57) **CLAIM**

(30) **Foreign Application Priority Data**

The ornamental design for a desk lamp, as shown.

May 19, 2008 (TW) 97302891

DESCRIPTION

(51) **LOC (9) Cl.** **23-03**

FIG. 1 is a perspective view of a desk lamp showing the new design.

(52) **U.S. Cl.** **D26/107**

FIG. 2 is a front view thereof.

(58) **Field of Classification Search** D26/1,
D26/24, 61, 6, 93-94, 101, 104-110, 113,
D26/118; 362/3, 153, 186, 217, 255, 257,
362/277, 317, 351, 353, 362, 363, 382, 431,
362/433, 458, 806

FIG. 3 is a rear view thereof.

FIG. 4 is a left side view thereof.

See application file for complete search history.

FIG. 5 is a right side view thereof.

FIG. 6 is a top view thereof.

(56) **References Cited**

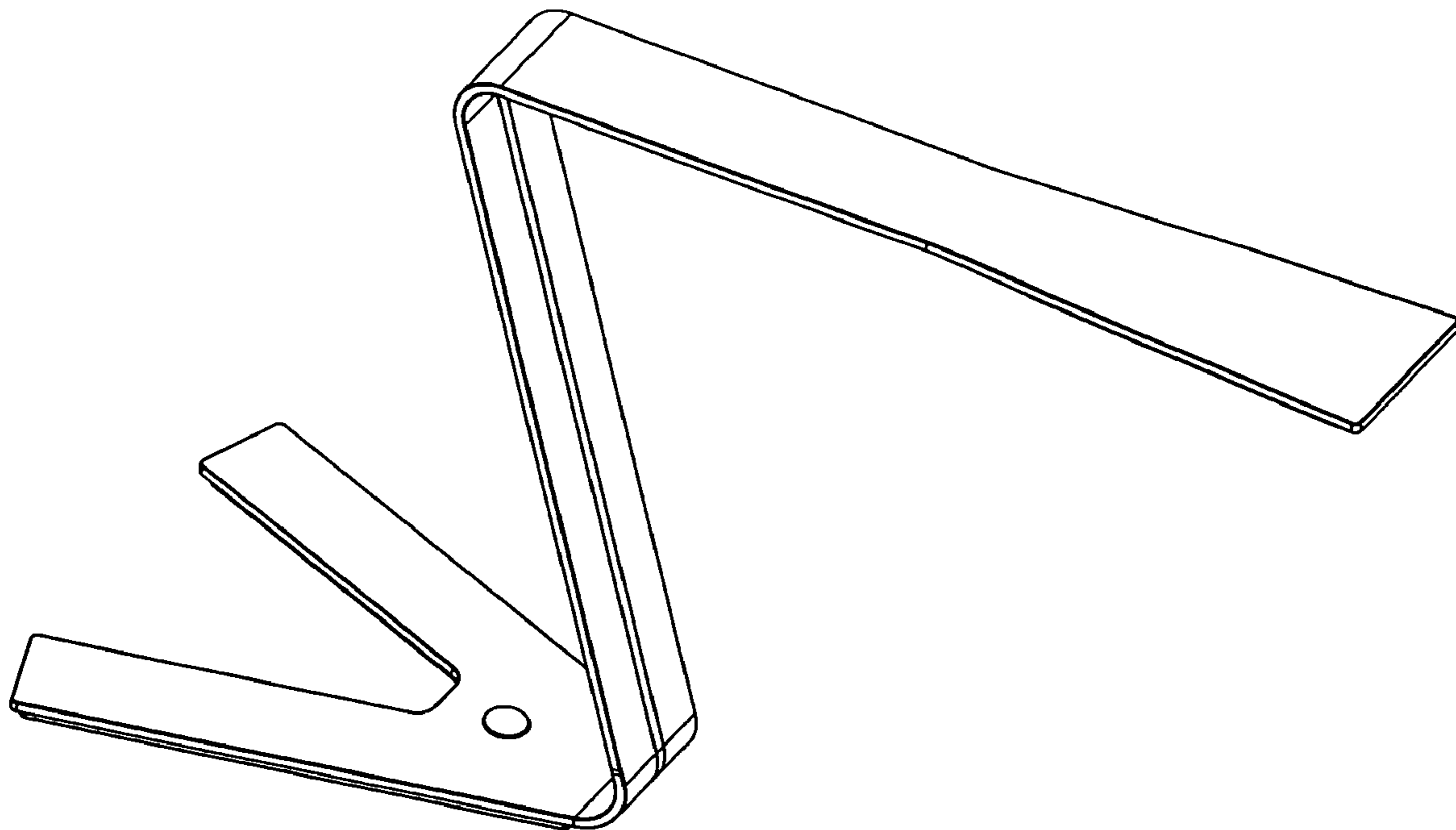
FIG. 7 is a bottom view thereof; and,

FIG. 8 is another perspective view thereof.

U.S. PATENT DOCUMENTS

D556,363 S * 11/2007 Komar et al. D26/106

1 Claim, 6 Drawing Sheets



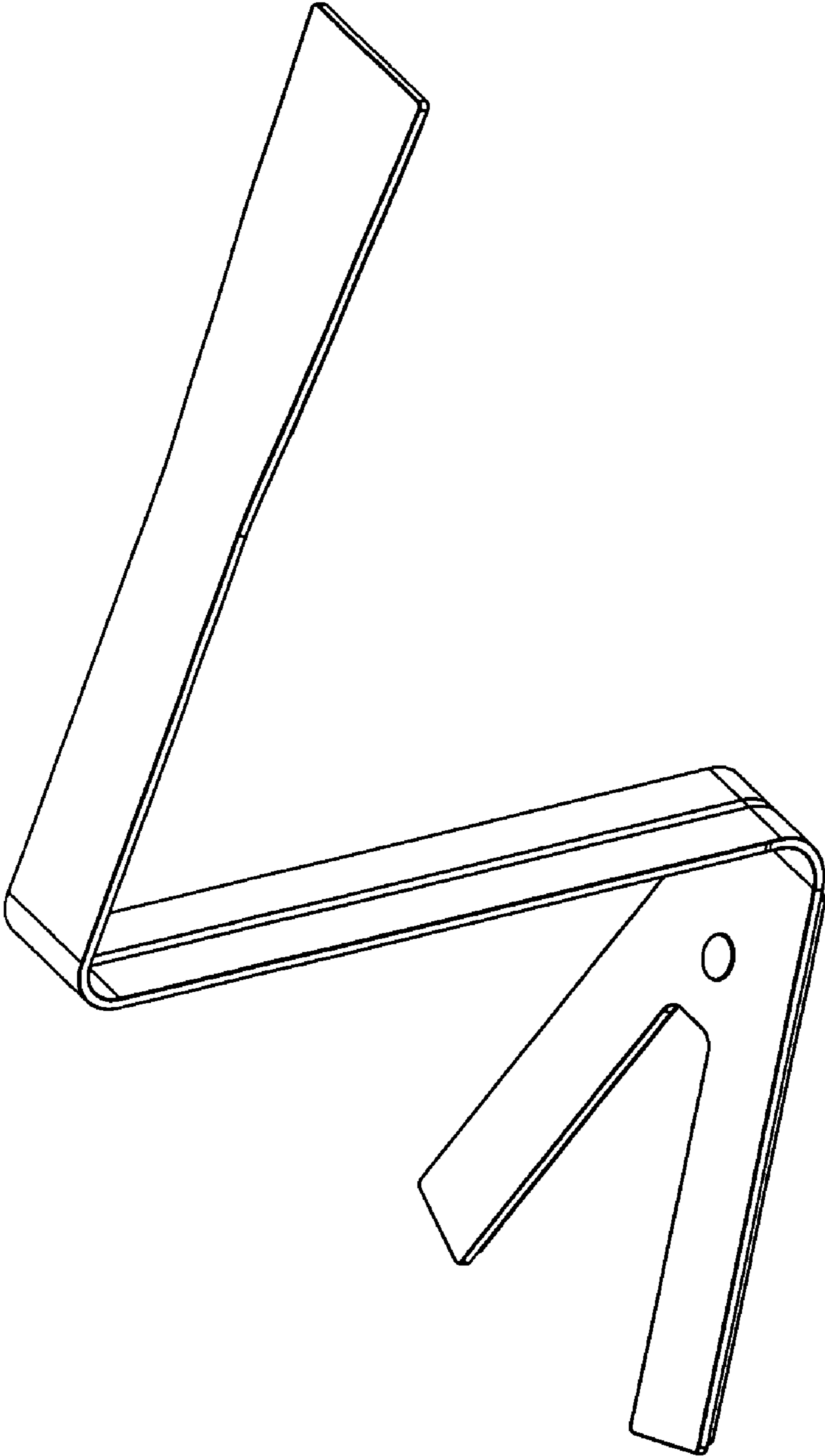


FIG. 1

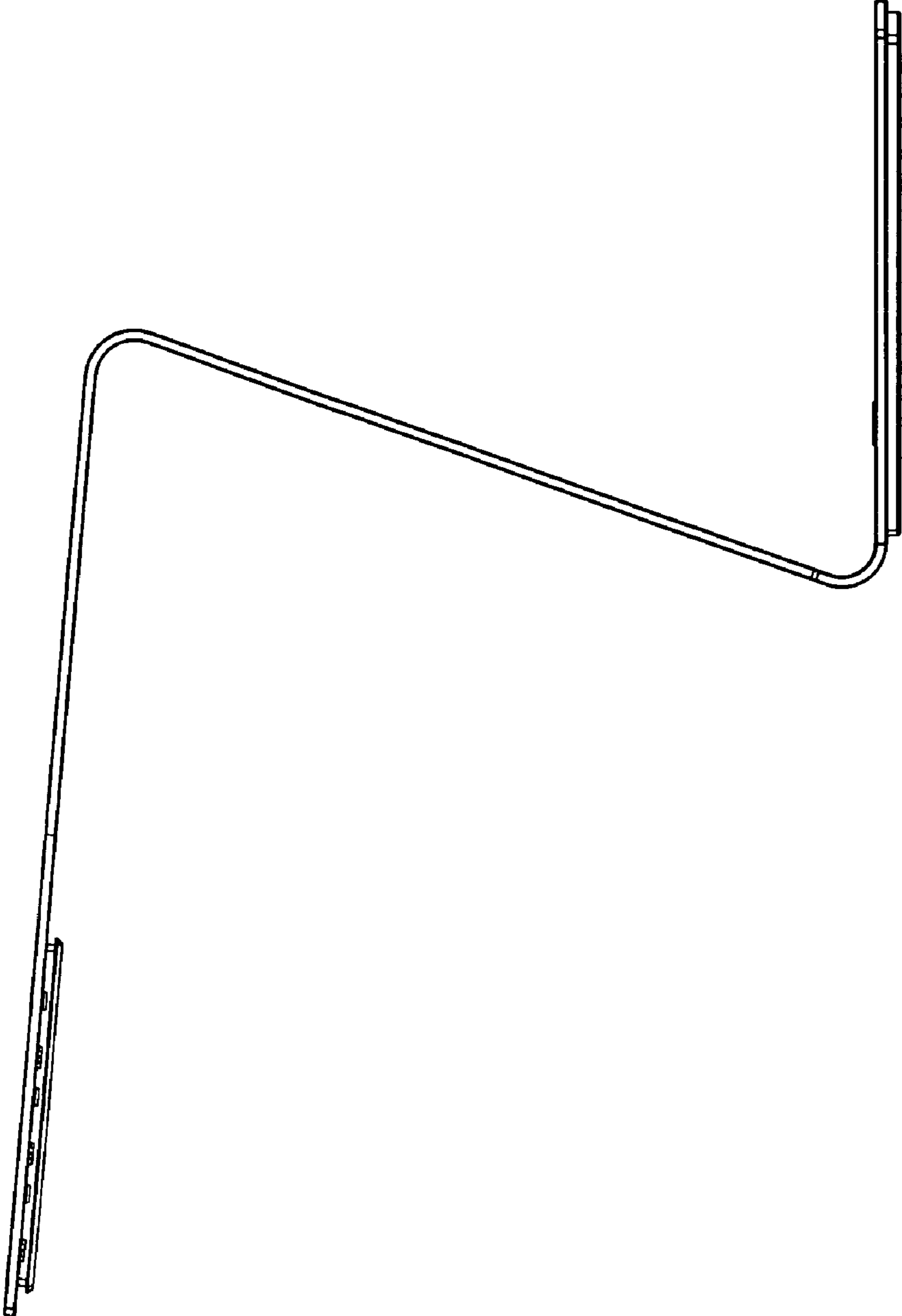


FIG. 2

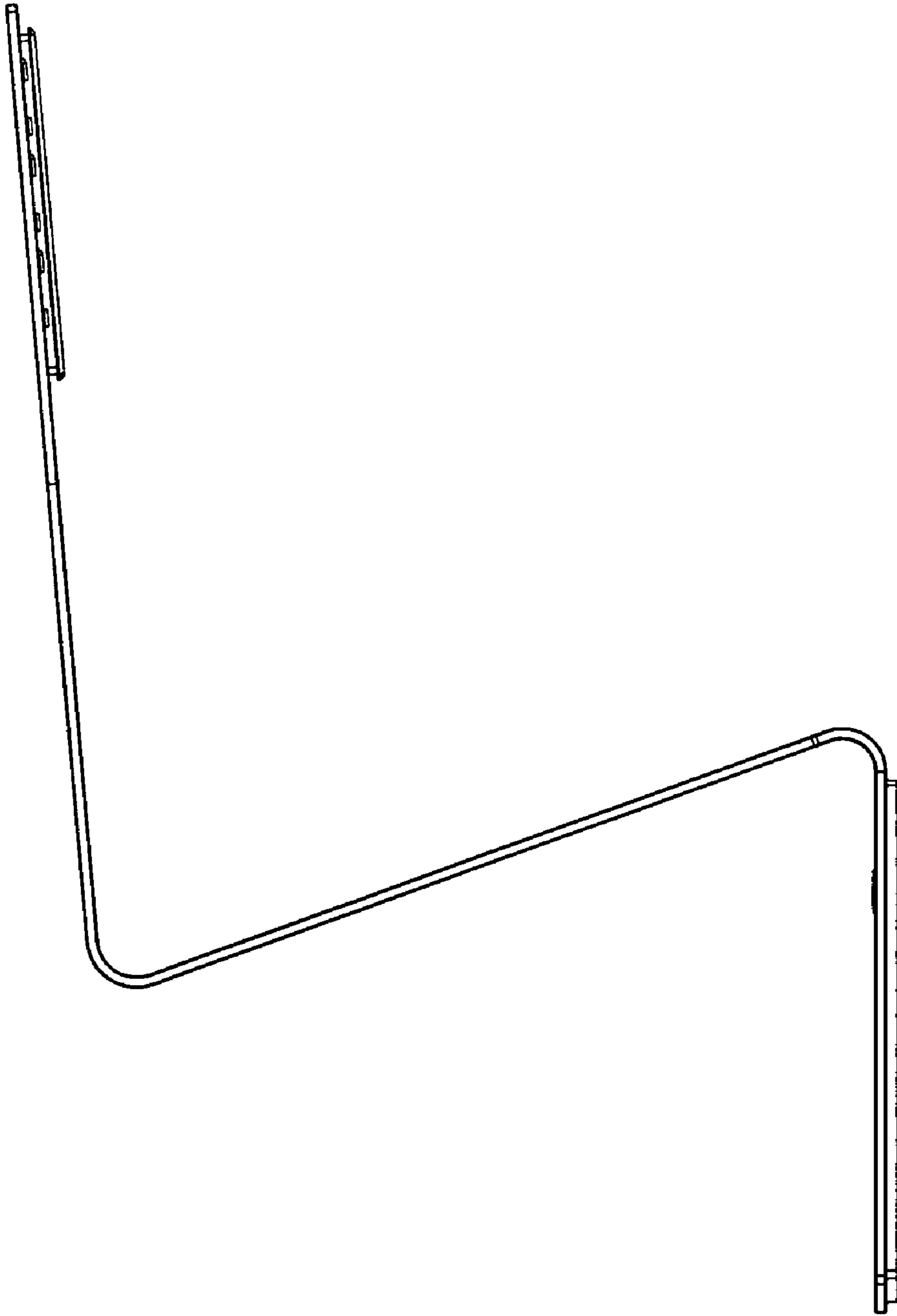


FIG. 3

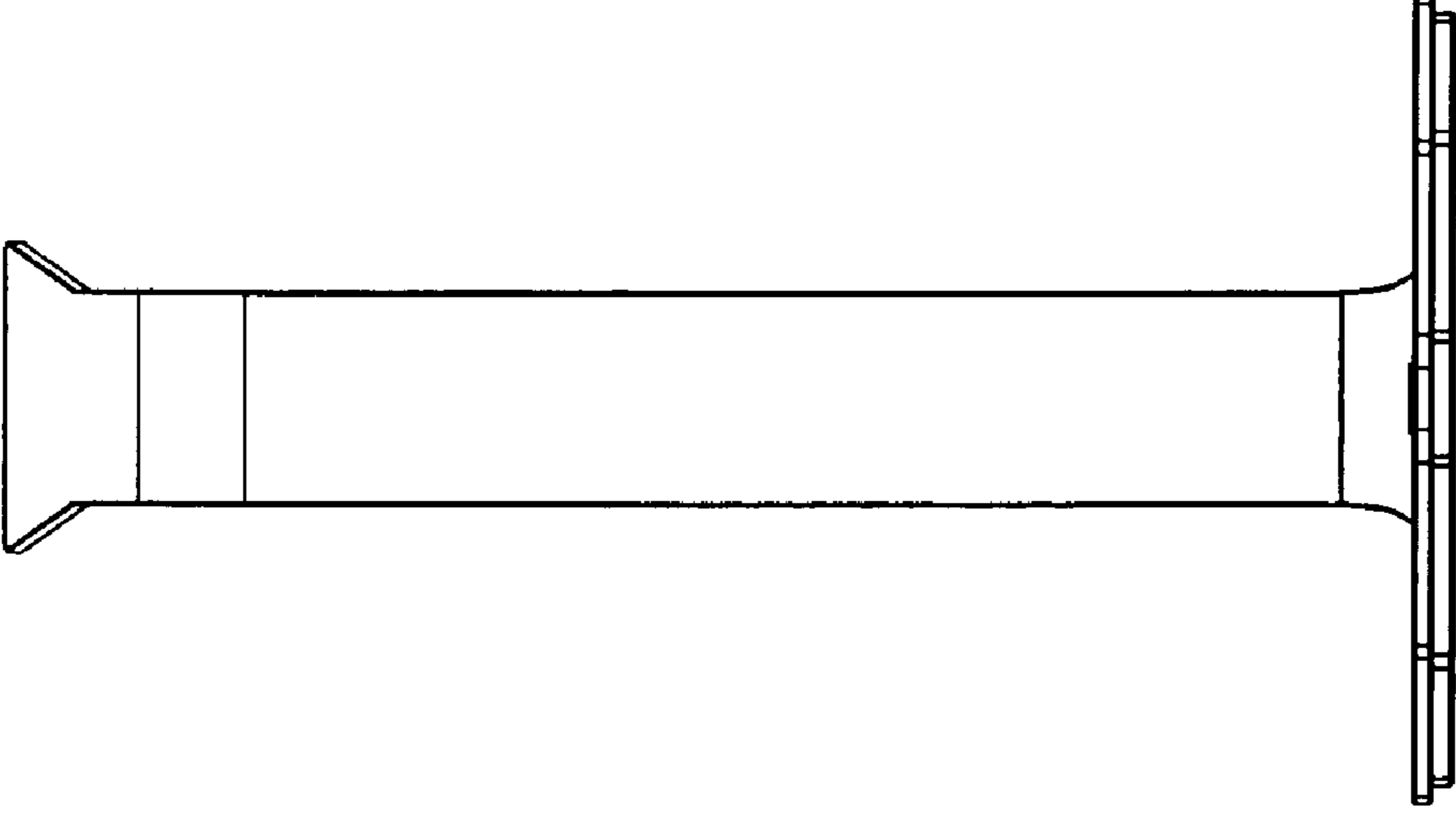


FIG. 5

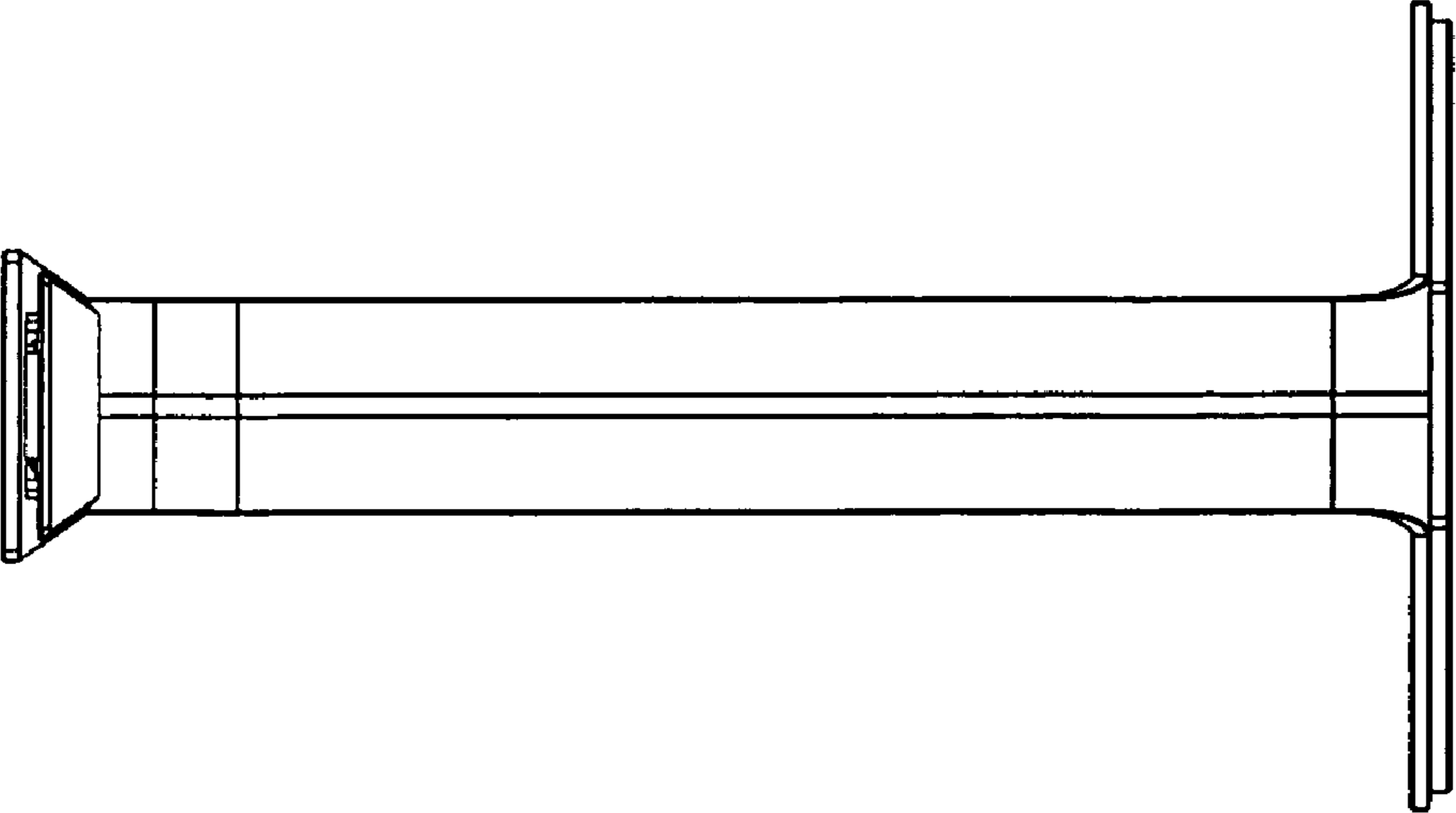


FIG. 4

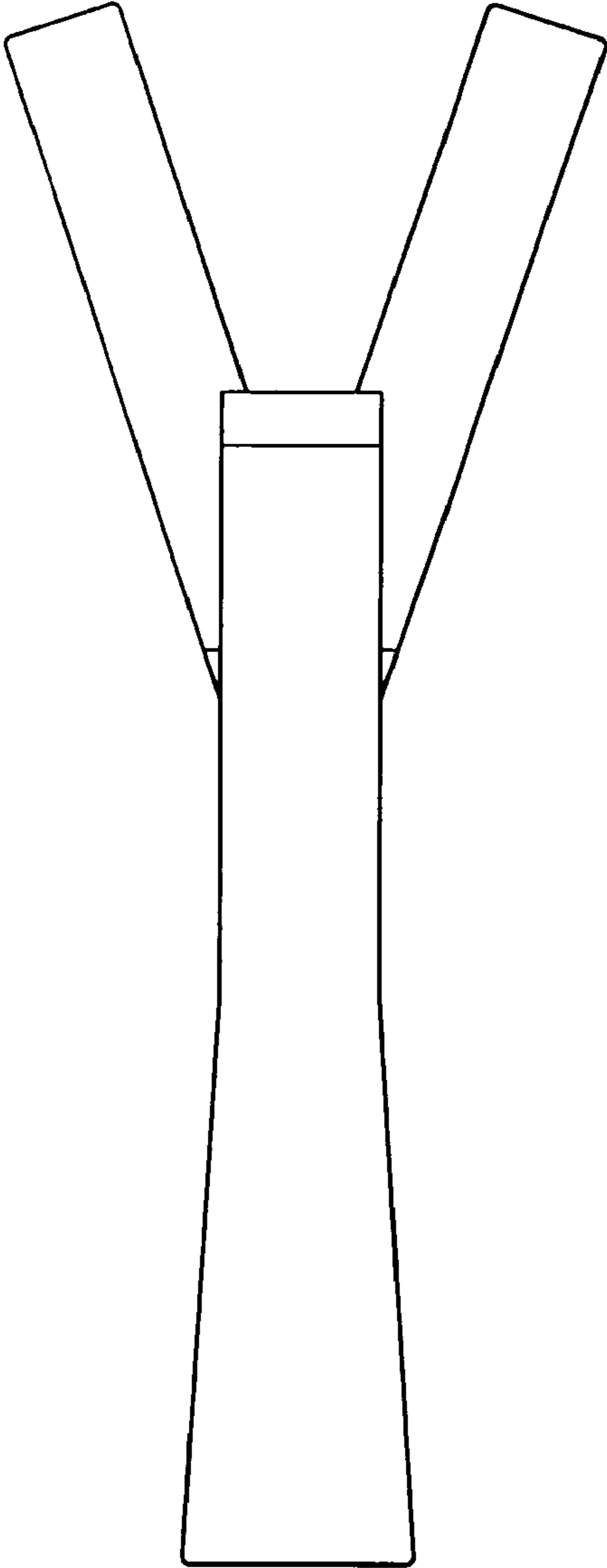


FIG. 6

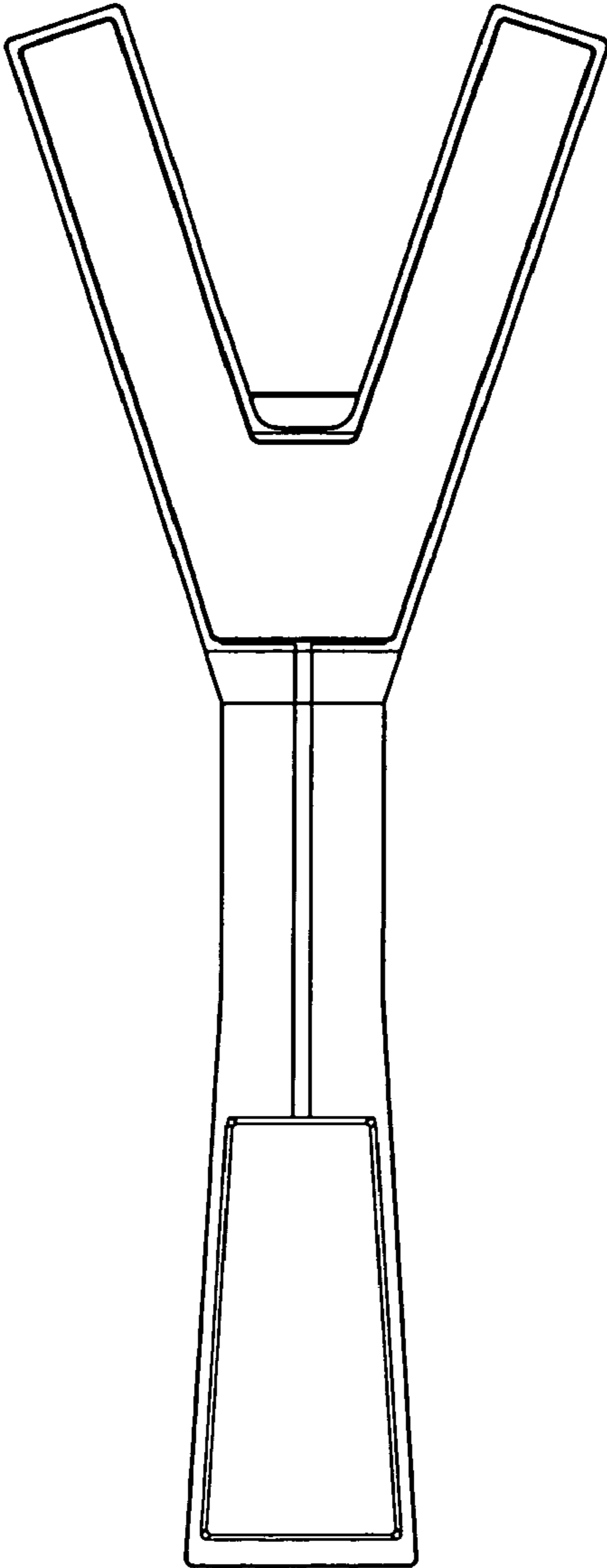


FIG. 7

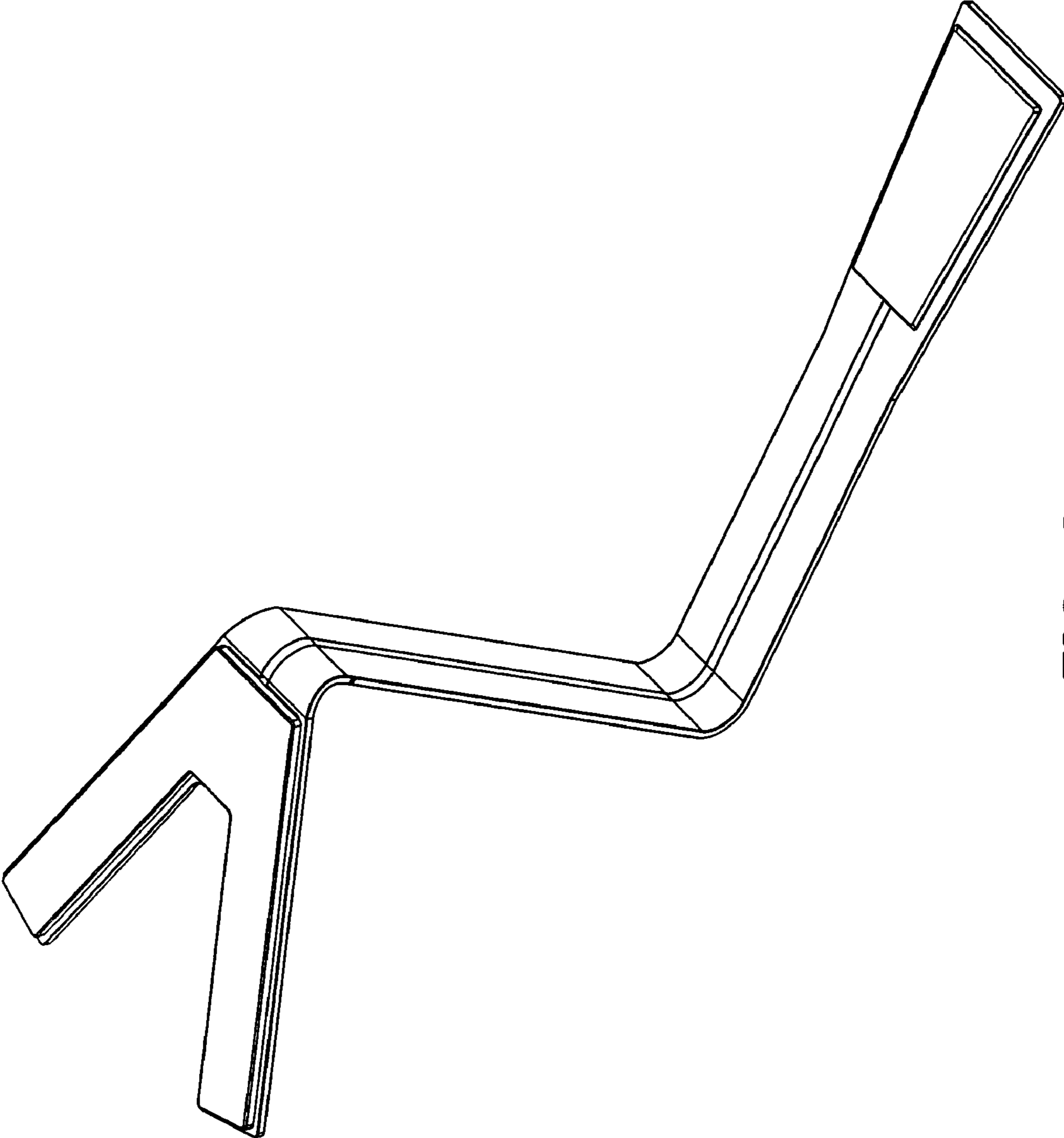


FIG. 8