



US00D608045S

(12) **United States Design Patent**  
**Chandler**

(10) **Patent No.:** **US D608,045 S**

(45) **Date of Patent:** **\*\* Jan. 12, 2010**

(54) **TABLE AND FLOOR LAMP**

(75) Inventor: **George Chandler**, Hubbardton, VT (US)

(73) Assignee: **Hubbardton Forge LLC**, Castleton, VT (US)

(\*\*) Term: **14 Years**

(21) Appl. No.: **29/338,949**

(22) Filed: **Jun. 22, 2009**

(51) **LOC (9) Cl.** ..... **23-03**

(52) **U.S. Cl.** ..... **D26/93**

(58) **Field of Classification Search** ..... D26/1,  
D26/24, 67, 93-94, 101, 104-110, 113, 118;  
362/3, 153, 186, 217, 255, 257, 277, 317,  
362/351, 353, 362, 363, 382, 431, 433, 458,  
362/806

See application file for complete search history.

(56) **References Cited**

**U.S. PATENT DOCUMENTS**

D366,718 S *	1/1996	Kattler	.....	D26/93
D579,602 S *	10/2008	Gotz-Schafer	.....	D26/93
D589,206 S *	3/2009	Sabernig	.....	D26/93
D590,093 S *	4/2009	Starck	.....	D26/93
D590,973 S *	4/2009	Hodgson	.....	D26/93

\* cited by examiner

*Primary Examiner*—Brian N Vinson

(74) *Attorney, Agent, or Firm*—Bourque and Associates, PA

(57) **CLAIM**

The ornamental design for a table and floor lamp, as shown and described.

**DESCRIPTION**

FIG. 1 is a front perspective view of the table and floor lamp according to the present invention thereof;

FIG. 2 is a left side perspective view of the table and floor lamp according to the present invention thereof;

FIG. 3 is a right perspective view of the table and floor lamp according to the present invention;

FIG. 4 is a back perspective view of the table and floor lamp according to the present invention;

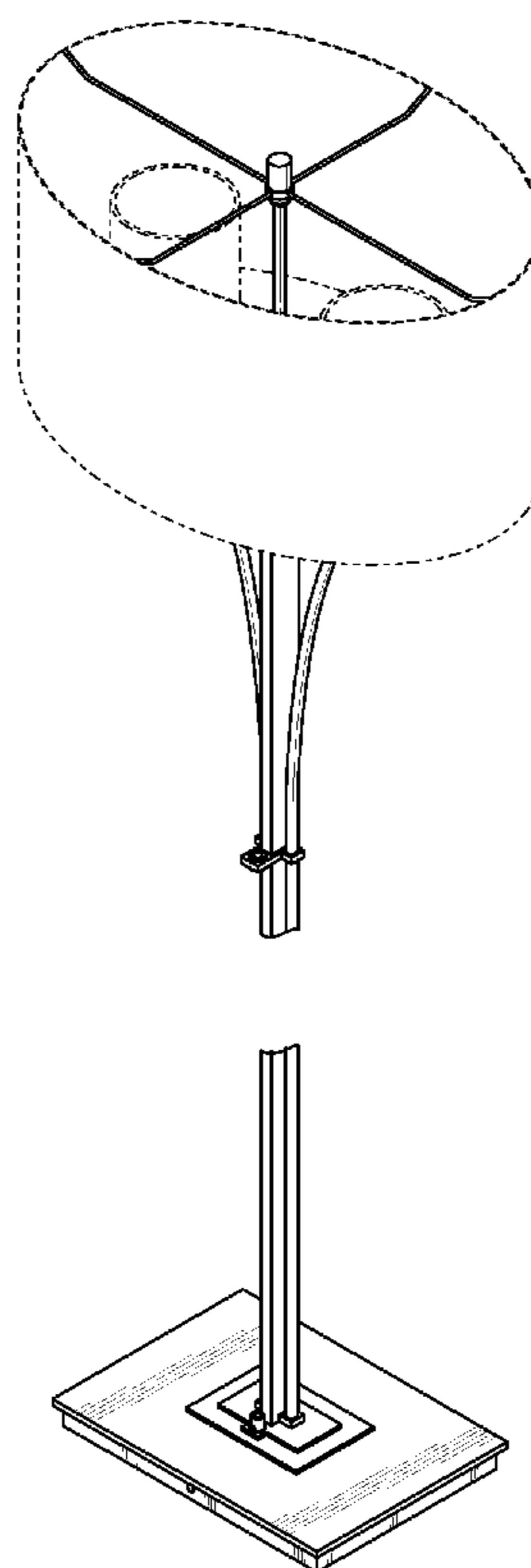
FIG. 5 is a front perspective view of the table and floor lamp according to the present invention.

FIG. 6 is a top perspective view of the table and floor lamp according to the present invention; and,

FIG. 7 is a bottom perspective view of the table and floor lamp according to the present invention.

The broken-line disclosure in the views are understood to represent portions of the article in which the claimed design is embodied, but which form no part of the claimed design.

**1 Claim, 4 Drawing Sheets**



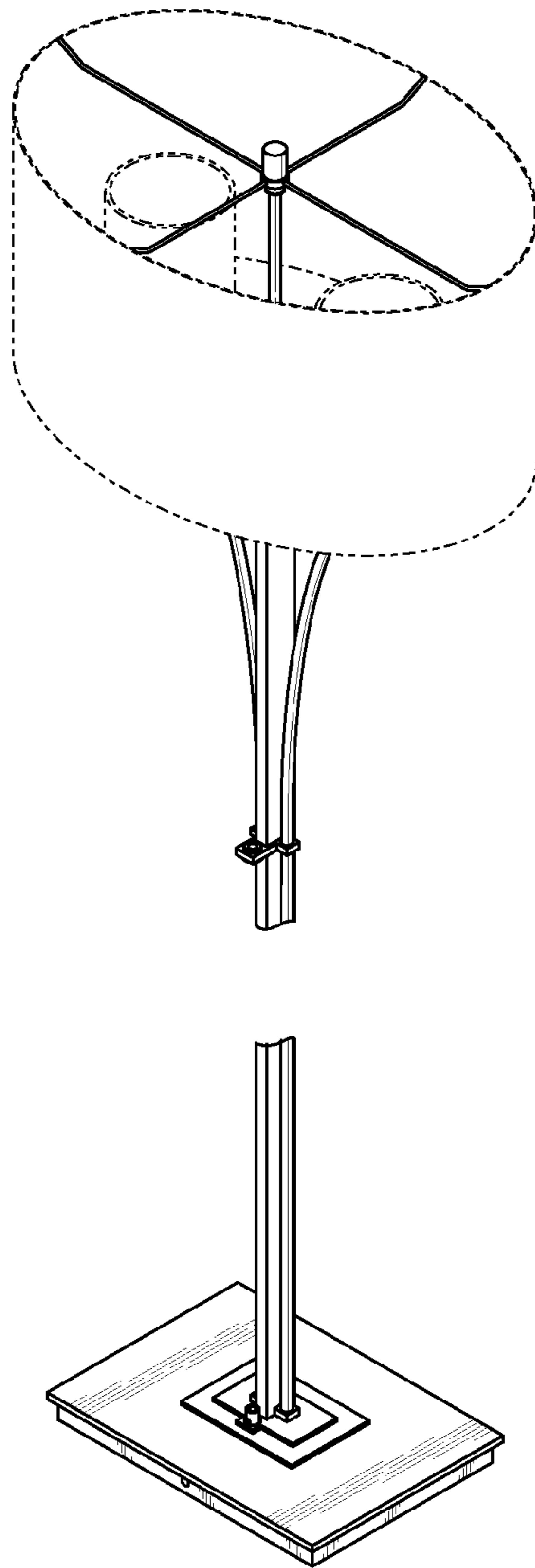


FIG. 1

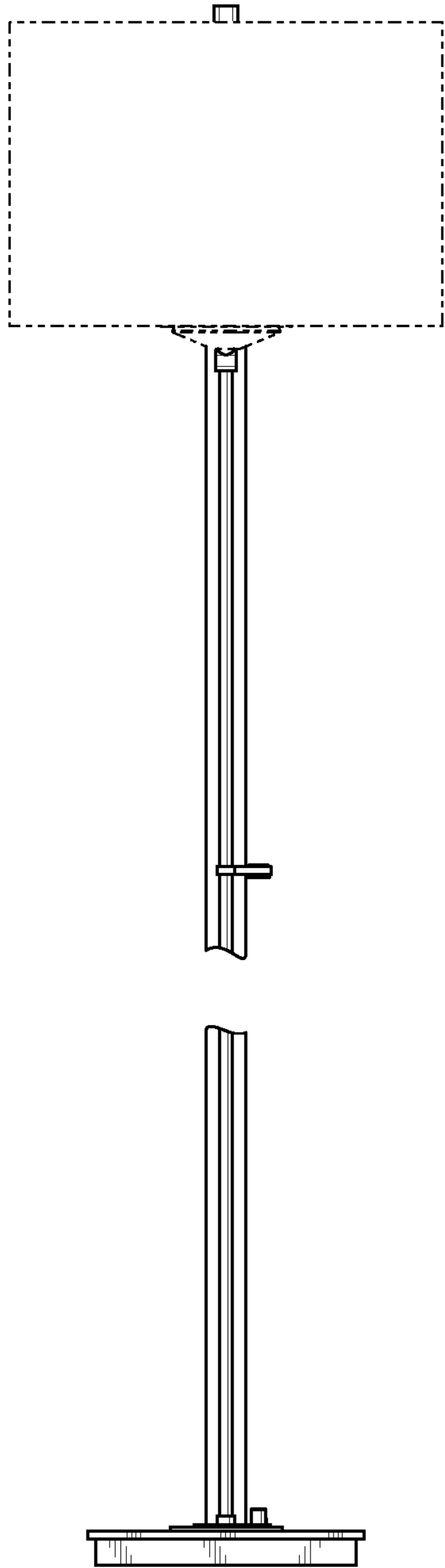


FIG. 2

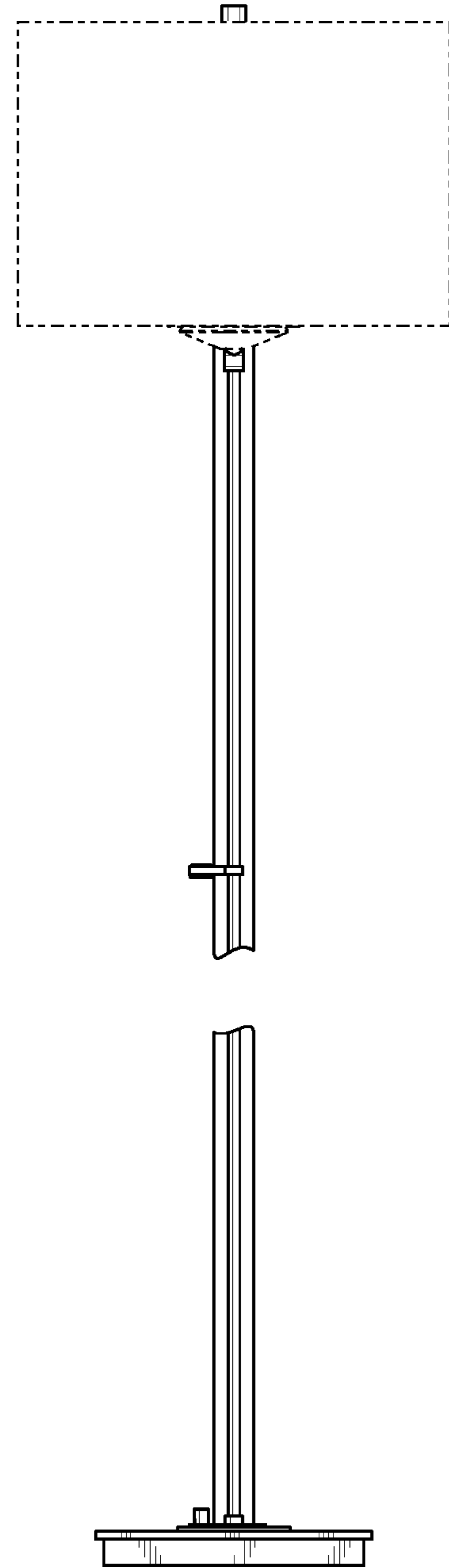


FIG. 3

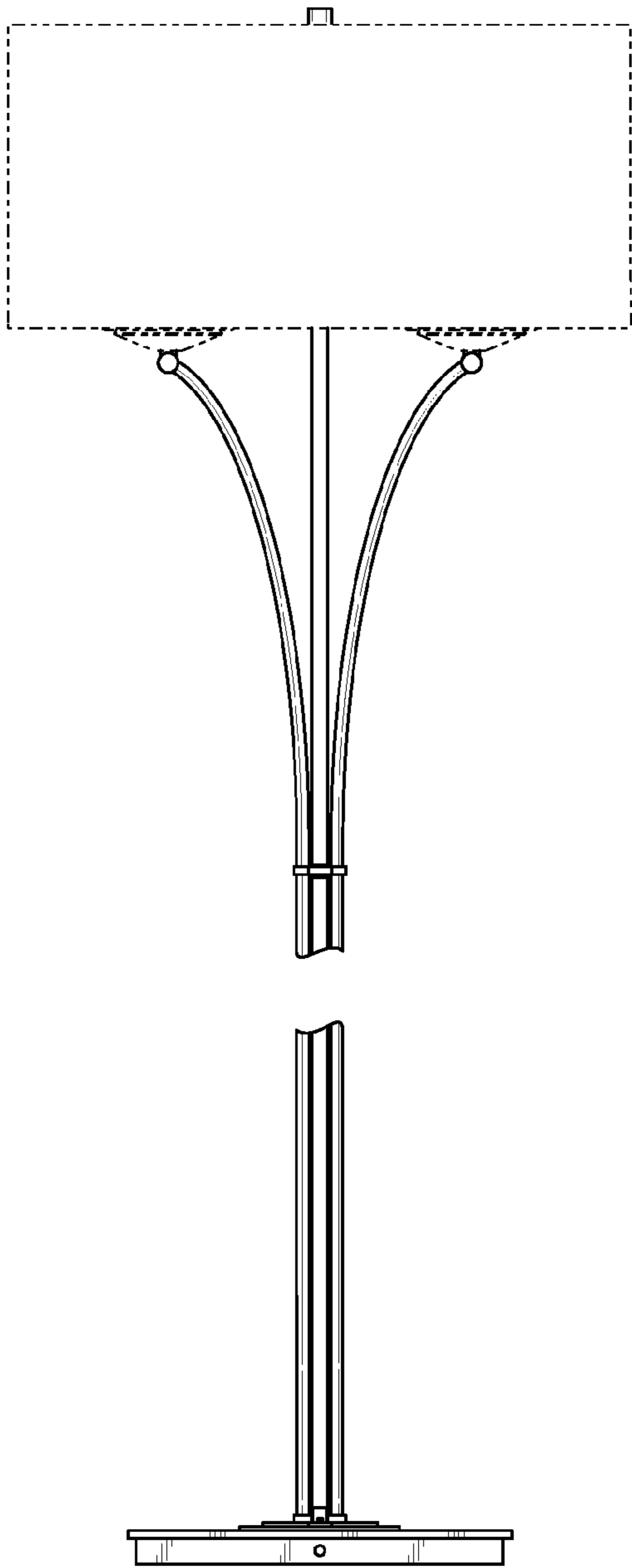


FIG. 4

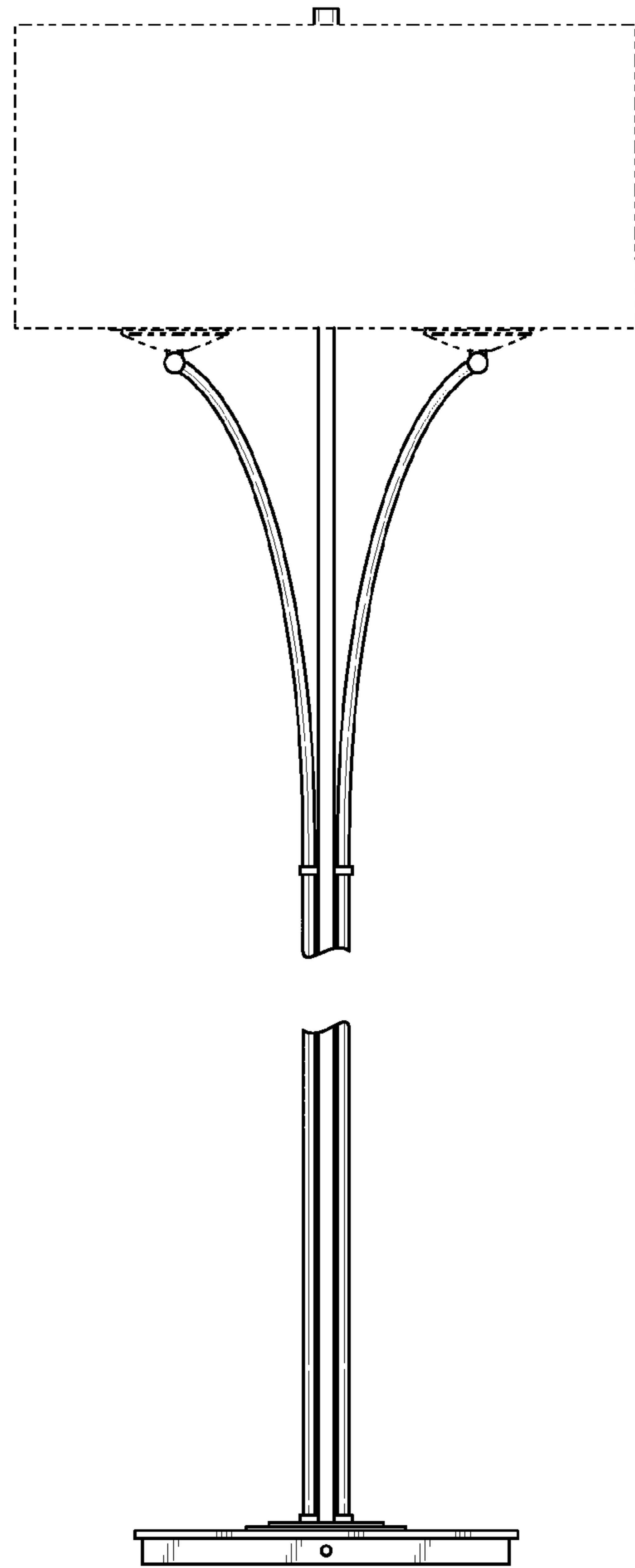


FIG. 5

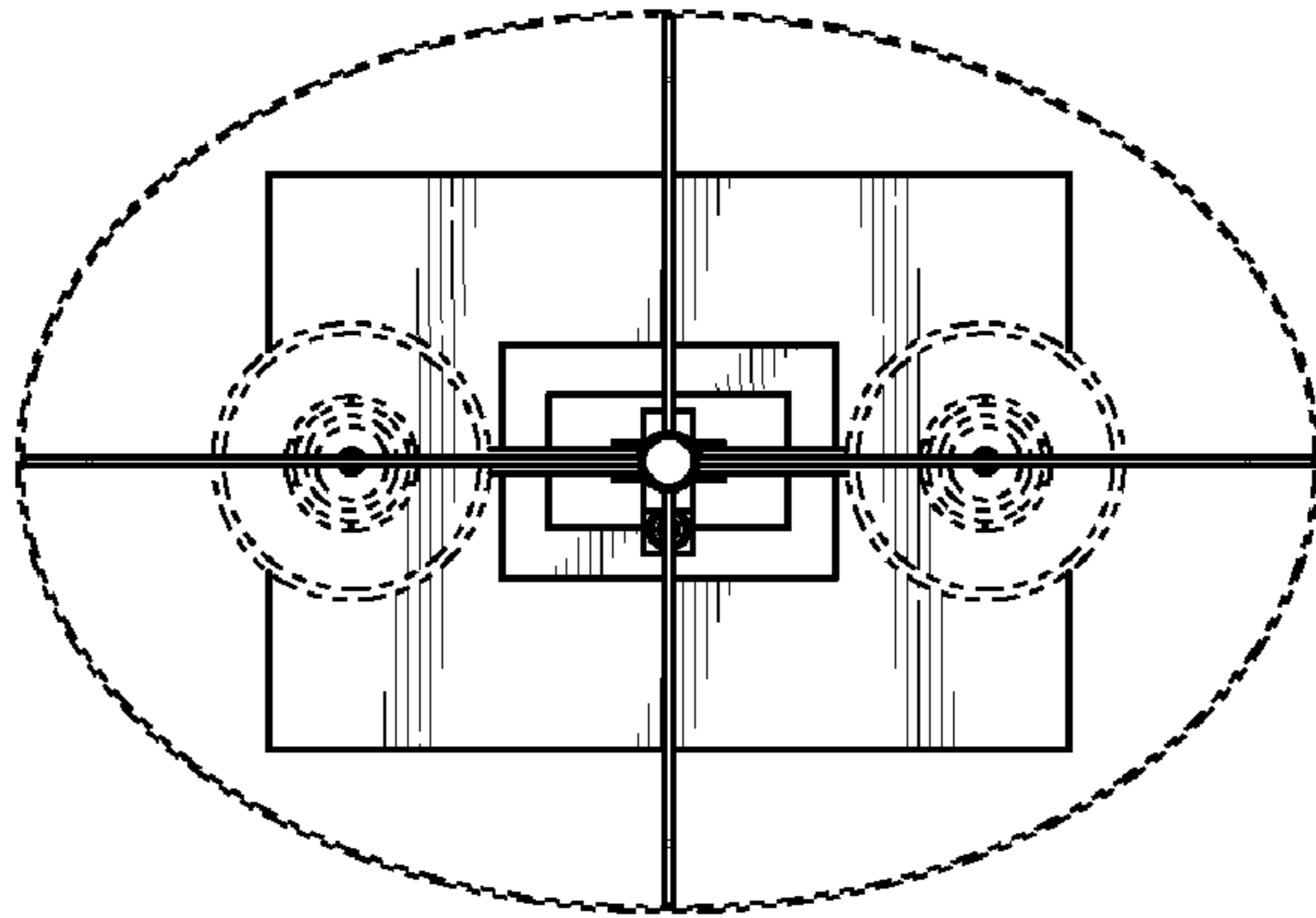


FIG. 6

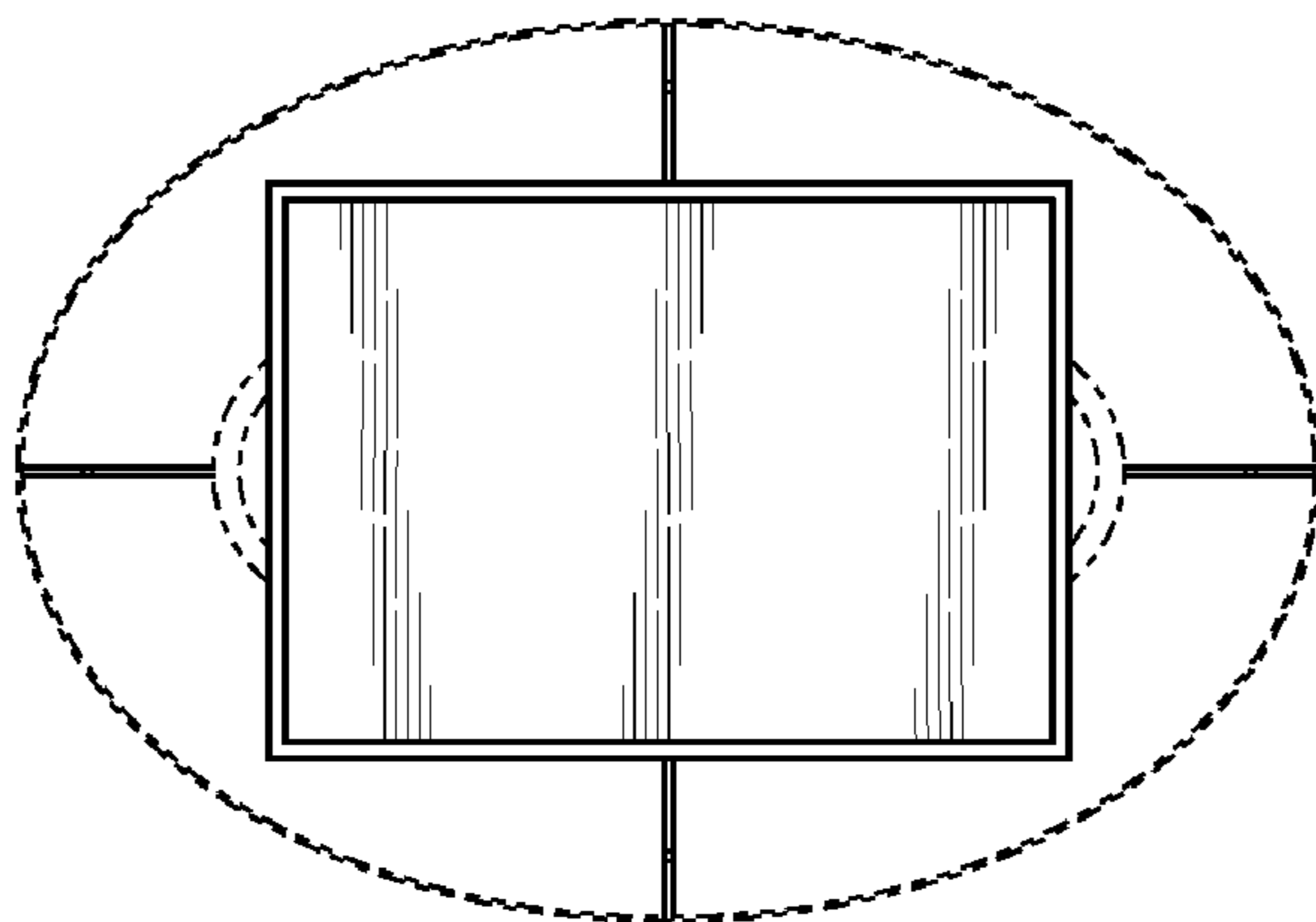


FIG. 7