



US00D608042S

(12) **United States Design Patent**
Wu et al.

(10) **Patent No.:** **US D608,042 S**
(45) **Date of Patent:** **** Jan. 12, 2010**

(54) **MULTI-DIRECTIONAL LIGHTING FIXTURE**

(75) Inventors: **Arthur Y. Wu**, Portland, OR (US);
James A. Doerr, Richmond, VA (US);
Michael D. Garten, Charlotte, NC (US);
David Rector, Spokane Valley, WA
(US); **Virginia L. Broadbrooks**,
Hendersonville, NC (US); **Dawn R.**
Kack, Landrum, SC (US)

(73) Assignee: **Hubbell Incorporated**, Orange, CT
(US)

(**) Term: **14 Years**

(21) Appl. No.: **29/311,782**

(22) Filed: **Jun. 18, 2009**

Related U.S. Application Data

(62) Division of application No. 29/309,129, filed on Jun.
25, 2008, now Pat. No. Des. 599,051.

(51) **LOC (9) Cl.** **26-03**

(52) **U.S. Cl.** **D26/76**

(58) **Field of Classification Search** D26/67,
D26/72, 74-78; 362/150, 218-225, 457;
D10/114

See application file for complete search history.

(56) **References Cited**

U.S. PATENT DOCUMENTS

D127,398 S 5/1941 Jordan
2,304,202 A 12/1942 Pracht
D136,382 S * 9/1943 Guth D26/138
2,348,930 A 5/1944 Schepmoes
2,401,635 A 6/1946 Guth
D151,053 S * 9/1948 McCann D26/128
3,375,322 A * 3/1968 Witte et al. 174/542
4,246,629 A 1/1981 Marrero
D274,657 S 7/1984 Herst et al.
4,507,719 A 3/1985 Quiogue
4,573,111 A 2/1986 Herst et al.
4,748,547 A 5/1988 Baker

4,866,584 A 9/1989 Plewman
D344,605 S 2/1994 Aspenwall
D362,315 S * 9/1995 Herst et al. D26/76
D397,480 S * 8/1998 Herst et al. D26/77
D401,000 S 11/1998 Herst

(Continued)

FOREIGN PATENT DOCUMENTS

JP 10241444 11/1998

OTHER PUBLICATIONS

Lithonia Lighting, Light Concepts, Velegant Luminaire On-line
Catalog, Acuity Brands Co.—Nov. 2006, pp. 1-2.

* cited by examiner

Primary Examiner—Robert M Spear

Assistant Examiner—Susan E Krakower

(74) *Attorney, Agent, or Firm*—Alfred N. Goodman; Mark S.
Bicks; Jenae C. Gurëffo

(57) **CLAIM**

The ornamental design for a multi-directional lighting fix-
ture, as shown and described.

DESCRIPTION

FIG. 1 is a right perspective view of the top of a multi-
directional lighting fixture showing our new invention;

FIG. 2 is a left perspective view of the bottom of the fixture
illustrated in FIG. 1;

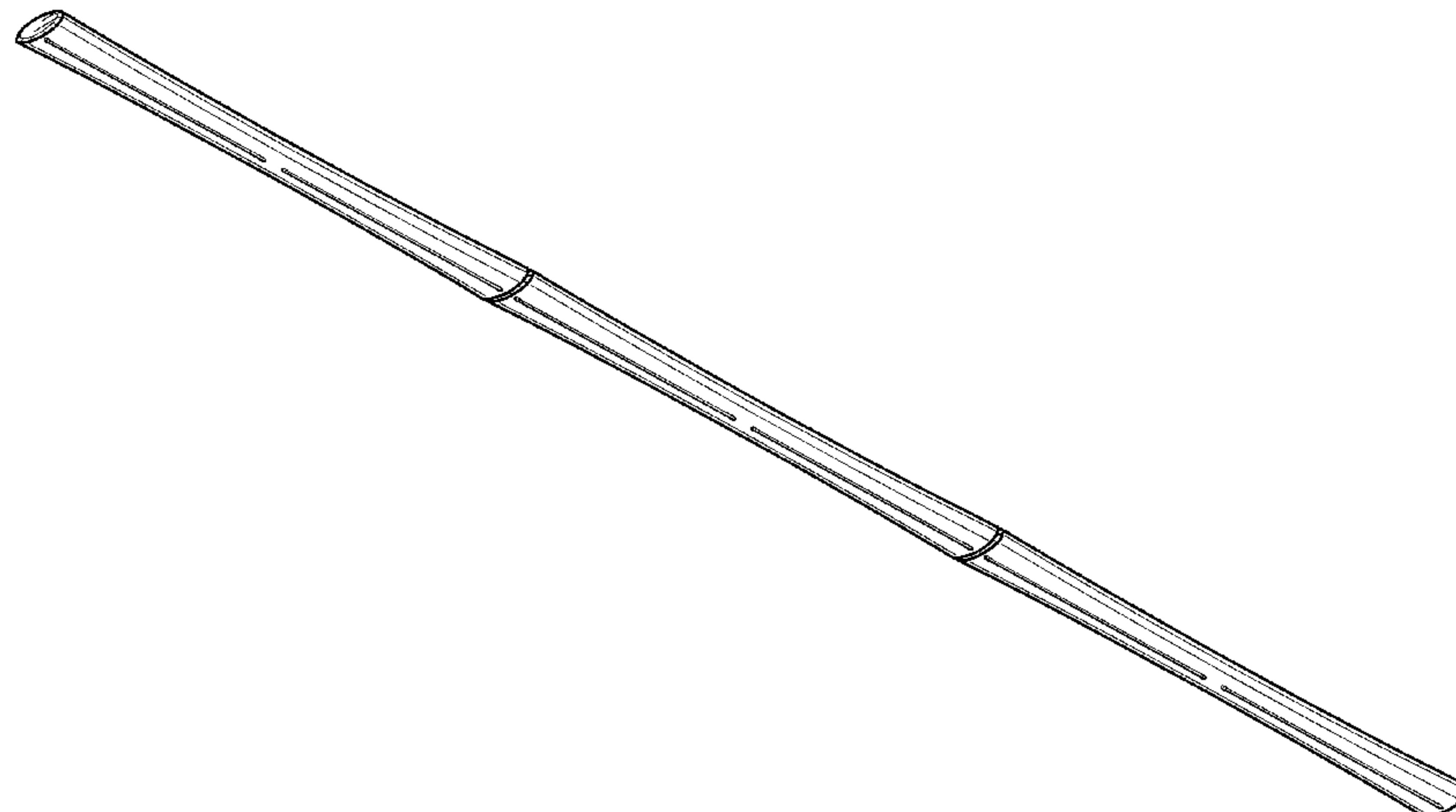
FIG. 3 is a top plan view of the fixture illustrated in FIGS. 1
and 2;

FIG. 4 is a bottom plan view of the fixture illustrated in FIGS.
1-3;

FIG. 5 is a right side elevational view of the fixture illustrated
in FIGS. 1-4, the left side elevational view being the mirror
image thereof; and,

FIG. 6 is a left end elevational view of the fixture illustrated in
FIGS. 1-5, the right end elevational view being the mirror
image thereof.

1 Claim, 4 Drawing Sheets



US D608,042 S

Page 2

U.S. PATENT DOCUMENTS

D404,513 S *	1/1999	Herst et al.	D26/77	D513,643 S *	1/2006	Vakil et al.	D26/76
D414,580 S	9/1999	Herst		D521,172 S *	5/2006	Chen	D26/76
6,305,816 B1	10/2001	Corcorran et al.		7,156,537 B1	1/2007	Cohrs	
D463,058 S	9/2002	Nourishad		7,192,158 B2	3/2007	Eppler	
6,517,222 B1	2/2003	Orlov		D543,651 S *	5/2007	Hargreaves	D26/76
D492,809 S *	7/2004	Weitgasser	D26/76	D550,881 S	9/2007	Lay et al.	
D498,018 S	11/2004	Sieczkowski		D567,425 S *	4/2008	Yates	D26/76
				7,494,241 B2 *	2/2009	McCarthy et al.	362/219
				2002/0001191 A1 *	1/2002	Grierson et al.	362/219

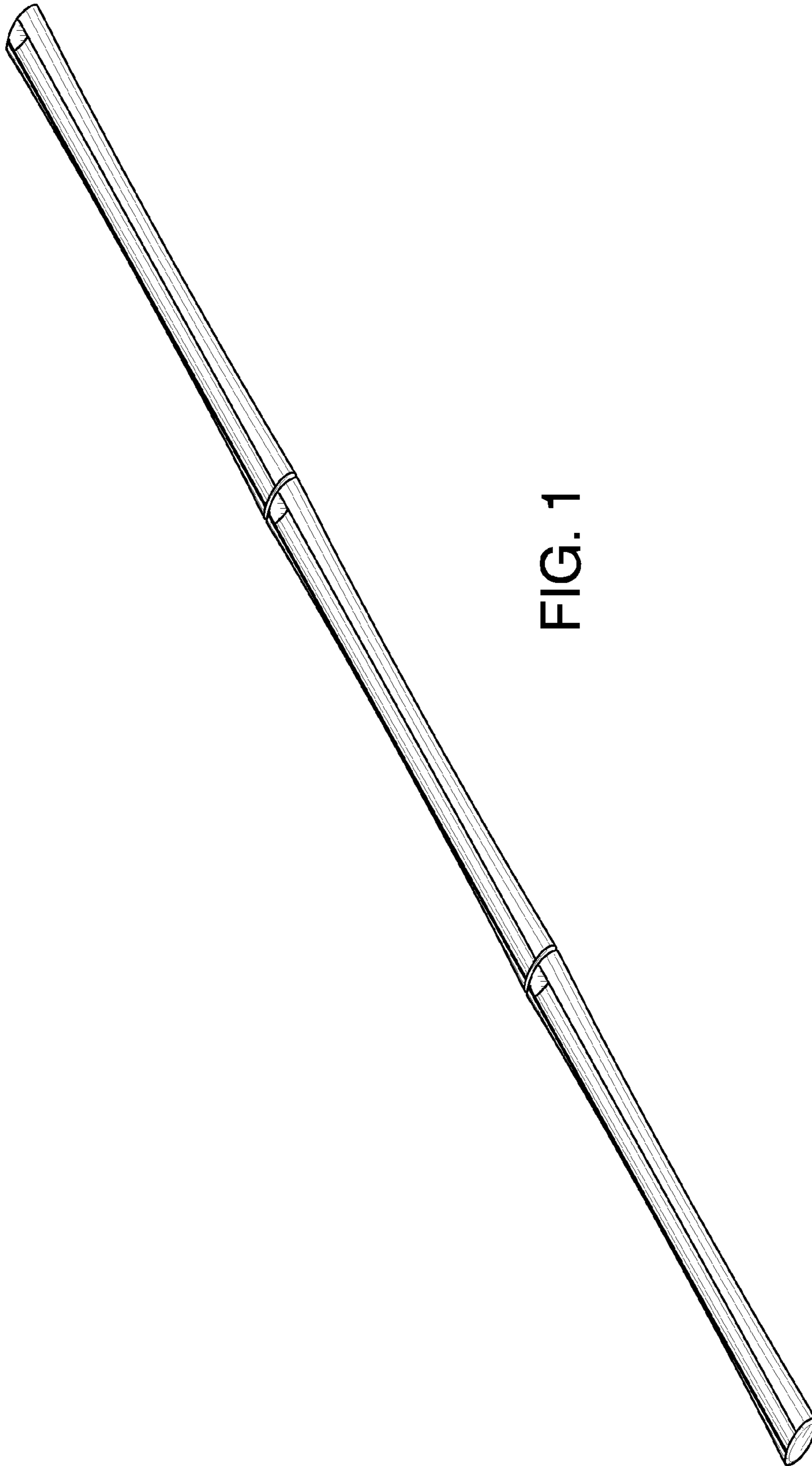


FIG. 1

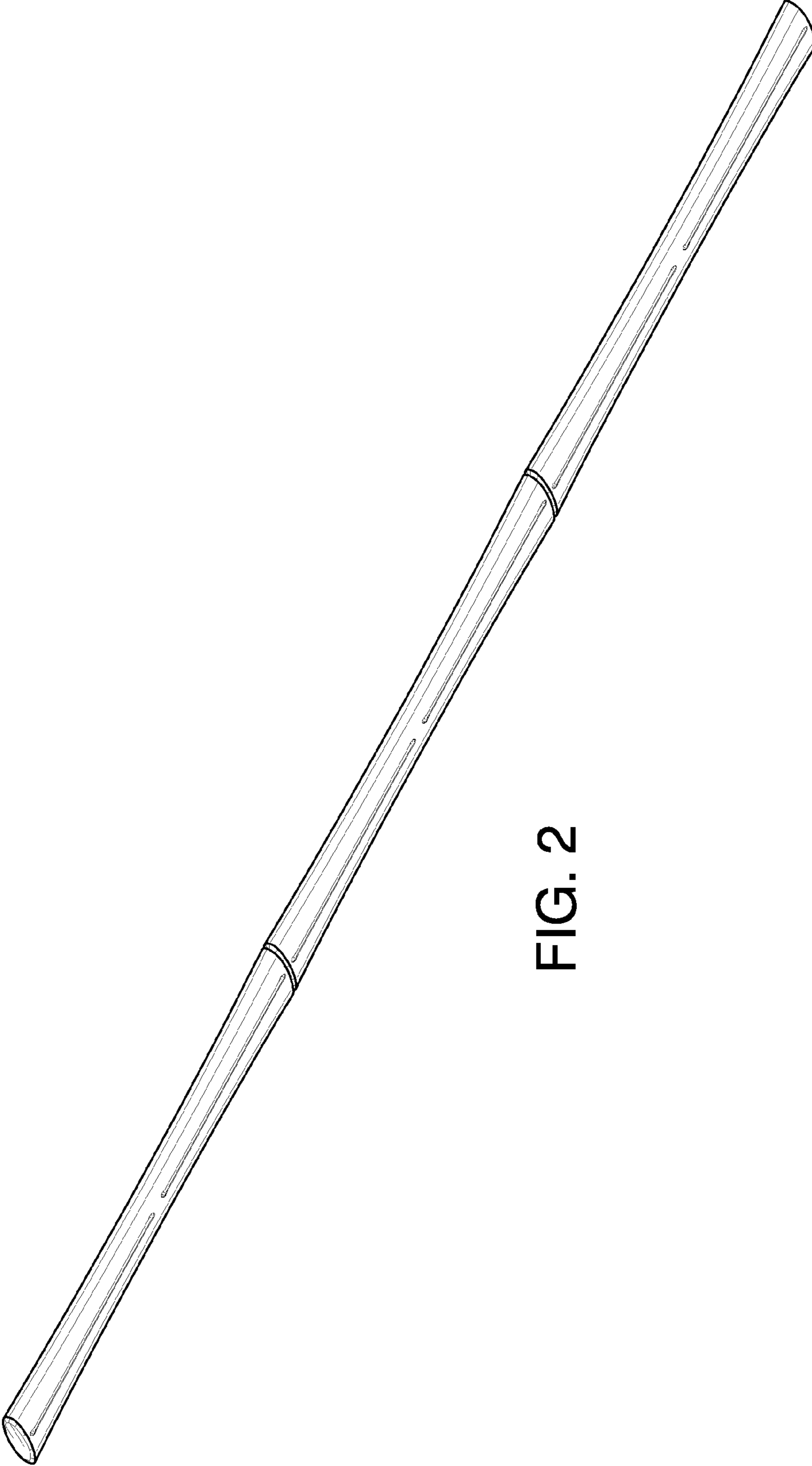


FIG. 2

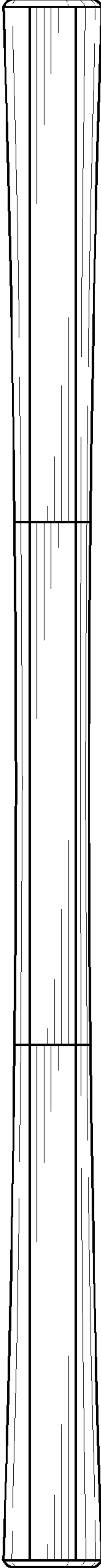


FIG. 3

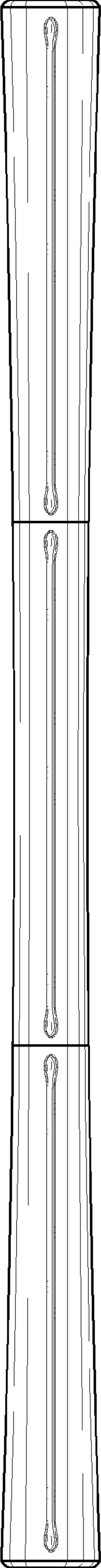


FIG. 4

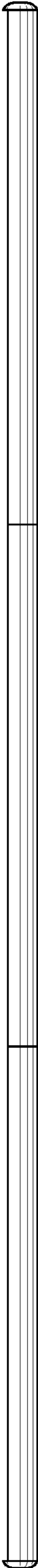


FIG. 5

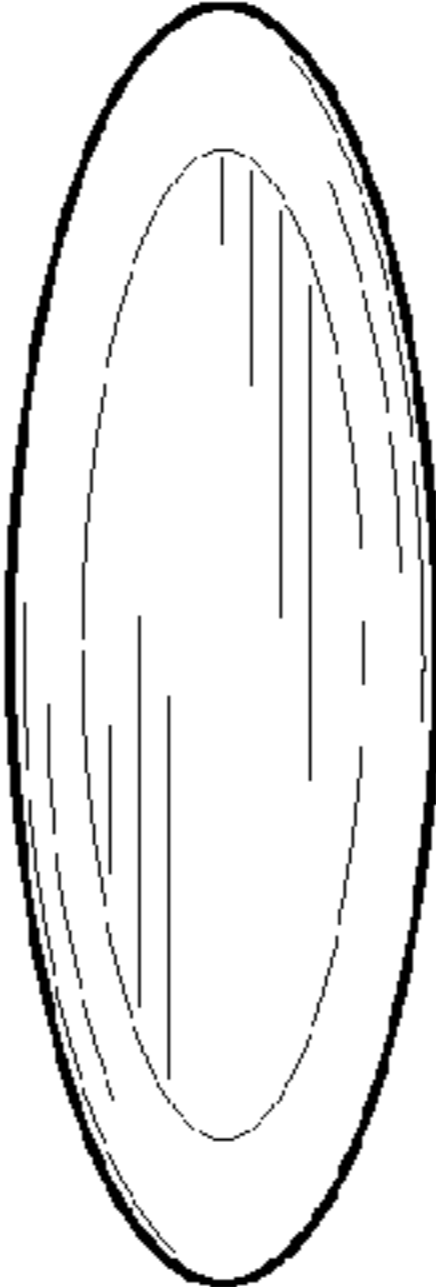


FIG. 6