



US00D608039S

(12) **United States Design Patent**
Jones

(10) **Patent No.:** **US D608,039 S**
(45) **Date of Patent:** **** Jan. 12, 2010**

(54) **ACCENT LIGHT**

(76) Inventor: **Wayne H. Jones**, 516 N. Waterstone Dr.,
Rigby, ID (US) 83442

(**) Term: **14 Years**

(21) Appl. No.: **29/331,930**

(22) Filed: **Feb. 5, 2009**

(51) **LOC (9) Cl.** **26-05**

(52) **U.S. Cl.** **D26/61**

(58) **Field of Classification Search** D26/60-66,
D26/1, 2, 24-27, 37-41, 55, 94, 101, 46-48,
D26/50; 362/555, 581, 101, 157, 158, 171-176,
362/167, 188-191, 208, 652, 653, 806, 640,
362/647, 253, 277, 280, 285, 800, 554, 563,
362/102, 267, 805

See application file for complete search history.

(56) **References Cited**

U.S. PATENT DOCUMENTS

D312,316 S *	11/1990	Molony et al.	D26/37
D335,359 S *	5/1993	Grubb	D26/61
D447,586 S *	9/2001	Shing	D26/39
6,499,854 B2 *	12/2002	Chen	362/101
D500,377 S *	12/2004	Yamamoto et al.	D26/39
D507,065 S *	7/2005	Son	D26/39
2005/0157487 A1 *	7/2005	Epstein	362/101

OTHER PUBLICATIONS

Utility patent application of the inventor herein, U.S. Appl. No. 12/366,109, filed Feb. 5, 2009.

* cited by examiner

Primary Examiner—Cathron C Brooks

Assistant Examiner—Linda G. Brooks

(74) *Attorney, Agent, or Firm*—John R. Ley

(57) **CLAIM**

The ornamental design for an accent light, as shown and described.

DESCRIPTION

FIG. 1 is a perspective view of an accent light showing my new design;

FIG. 2 is a front elevational view thereof;

FIG. 3 is a rear elevational view thereof;

FIG. 4 is a left side elevational view thereof;

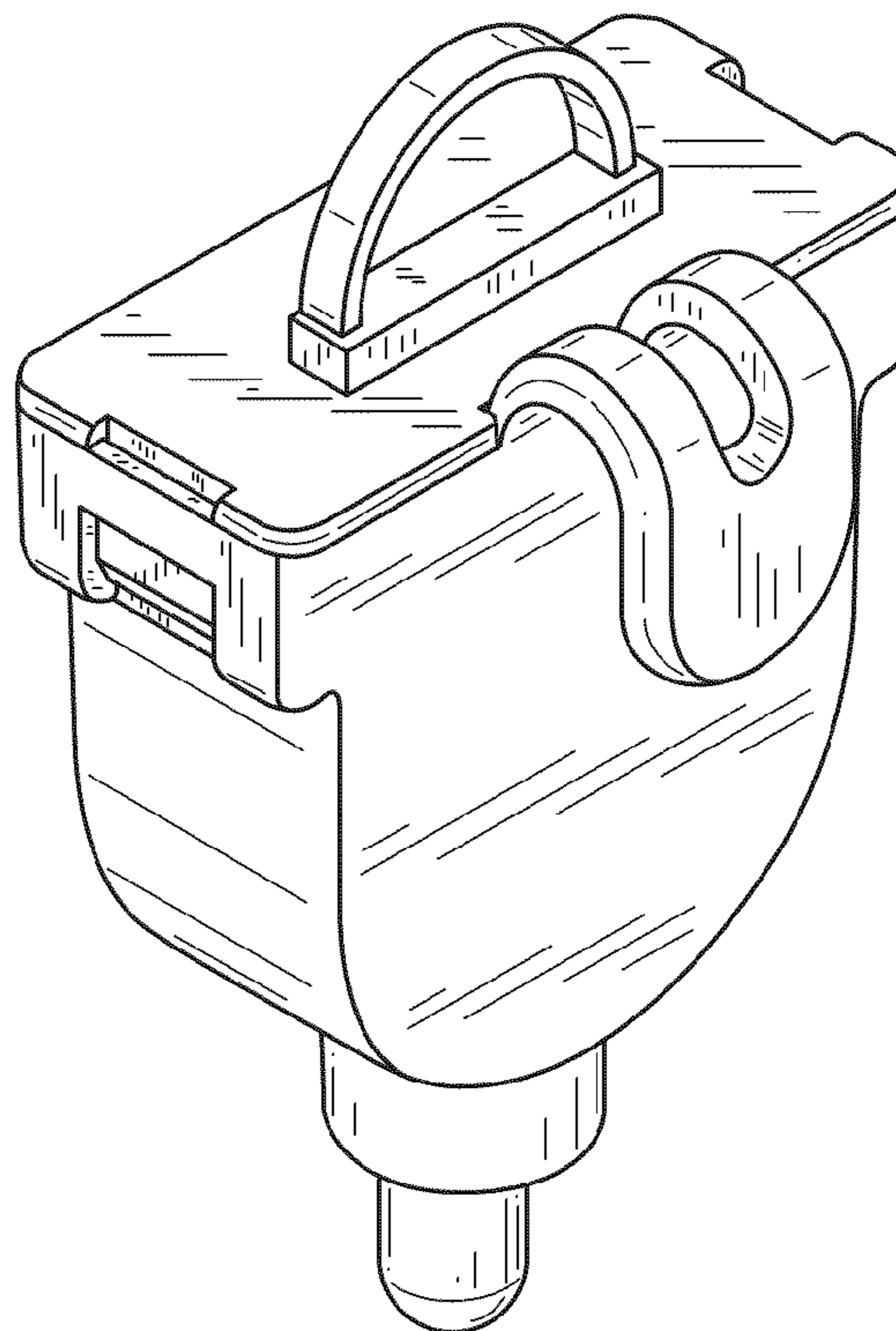
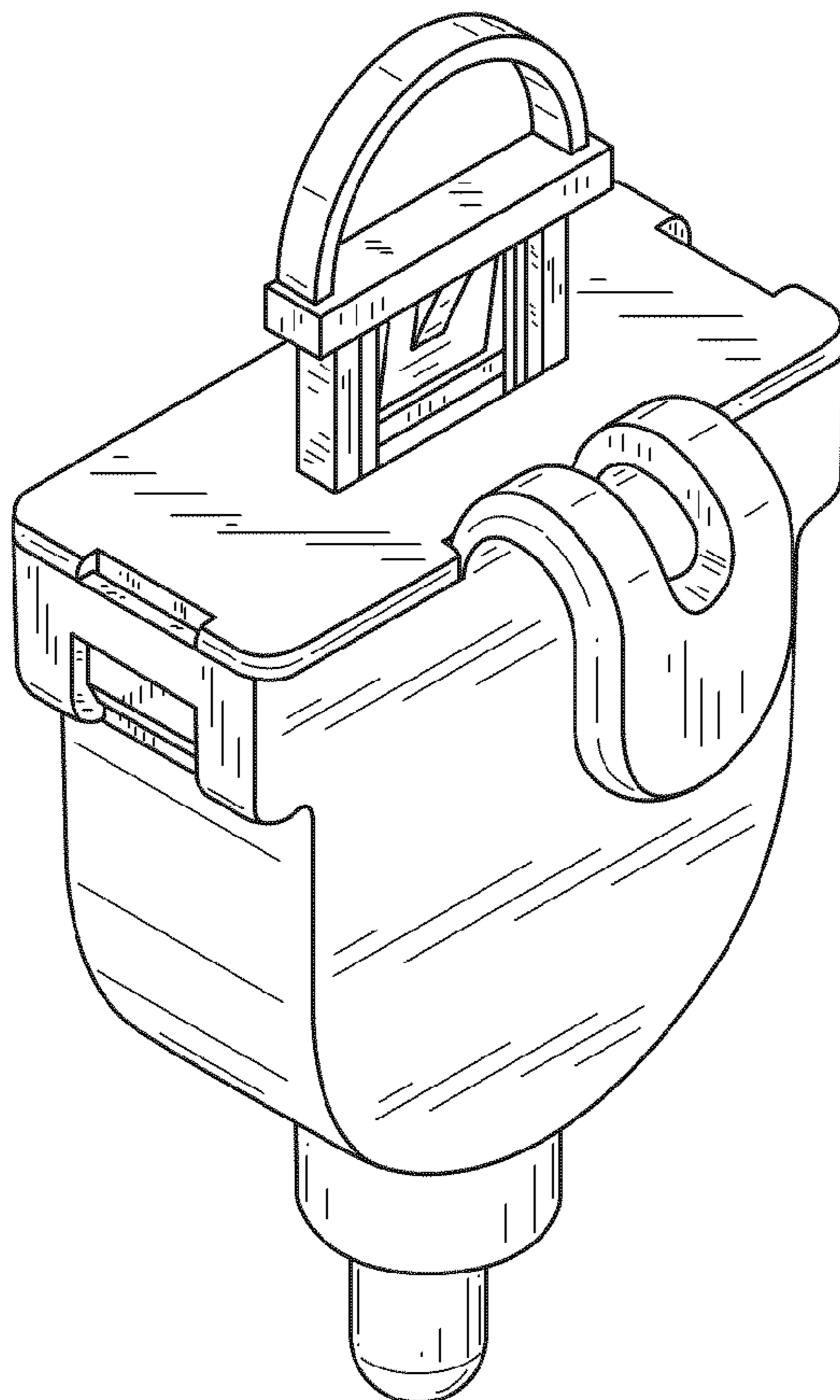
FIG. 5 is a right side elevational view thereof;

FIG. 6 is a top plan view thereof;

FIG. 7 is a bottom plan view thereof; and,

FIG. 8 is a perspective view thereof, shown in an alternative position of use.

1 Claim, 6 Drawing Sheets



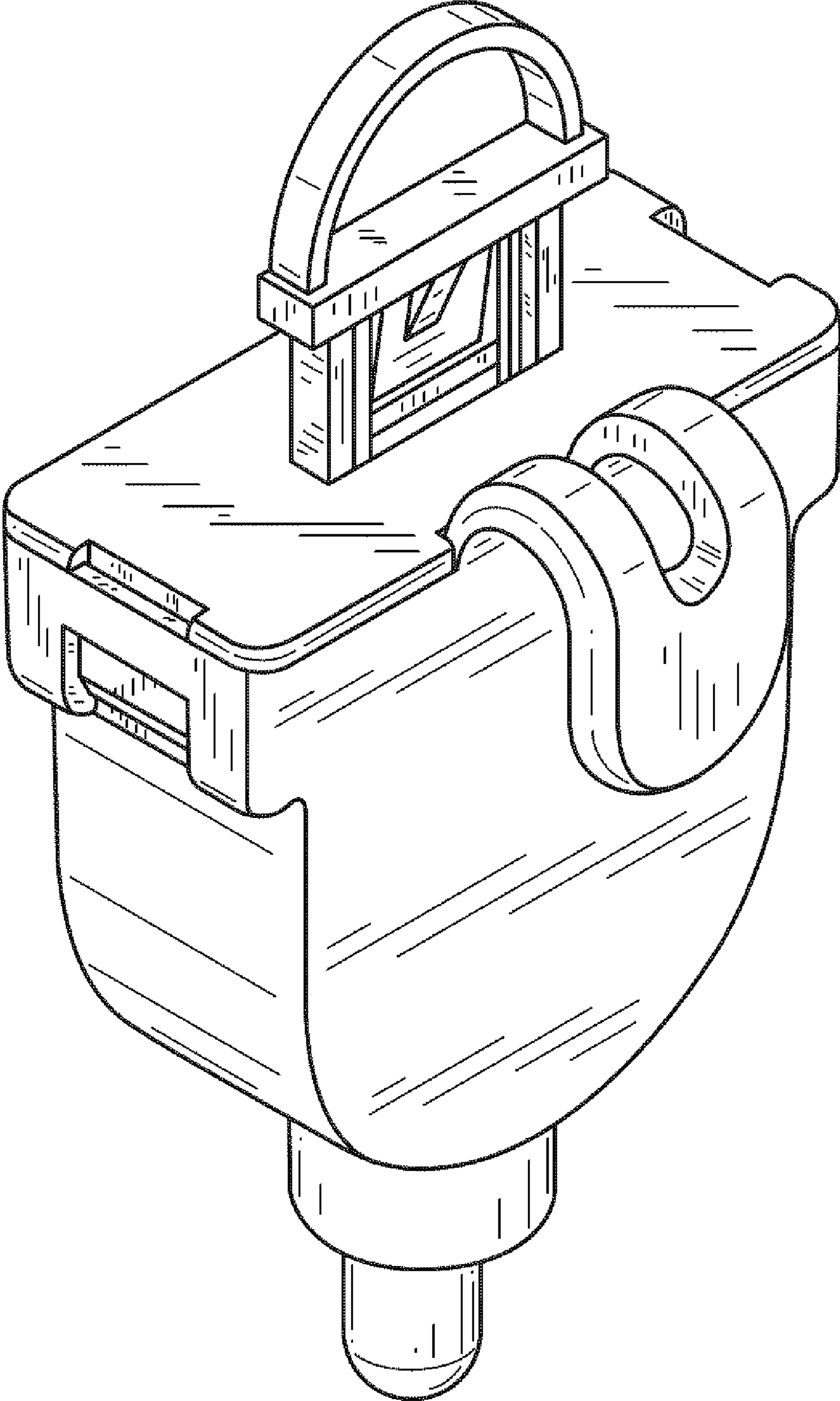


FIG. 1

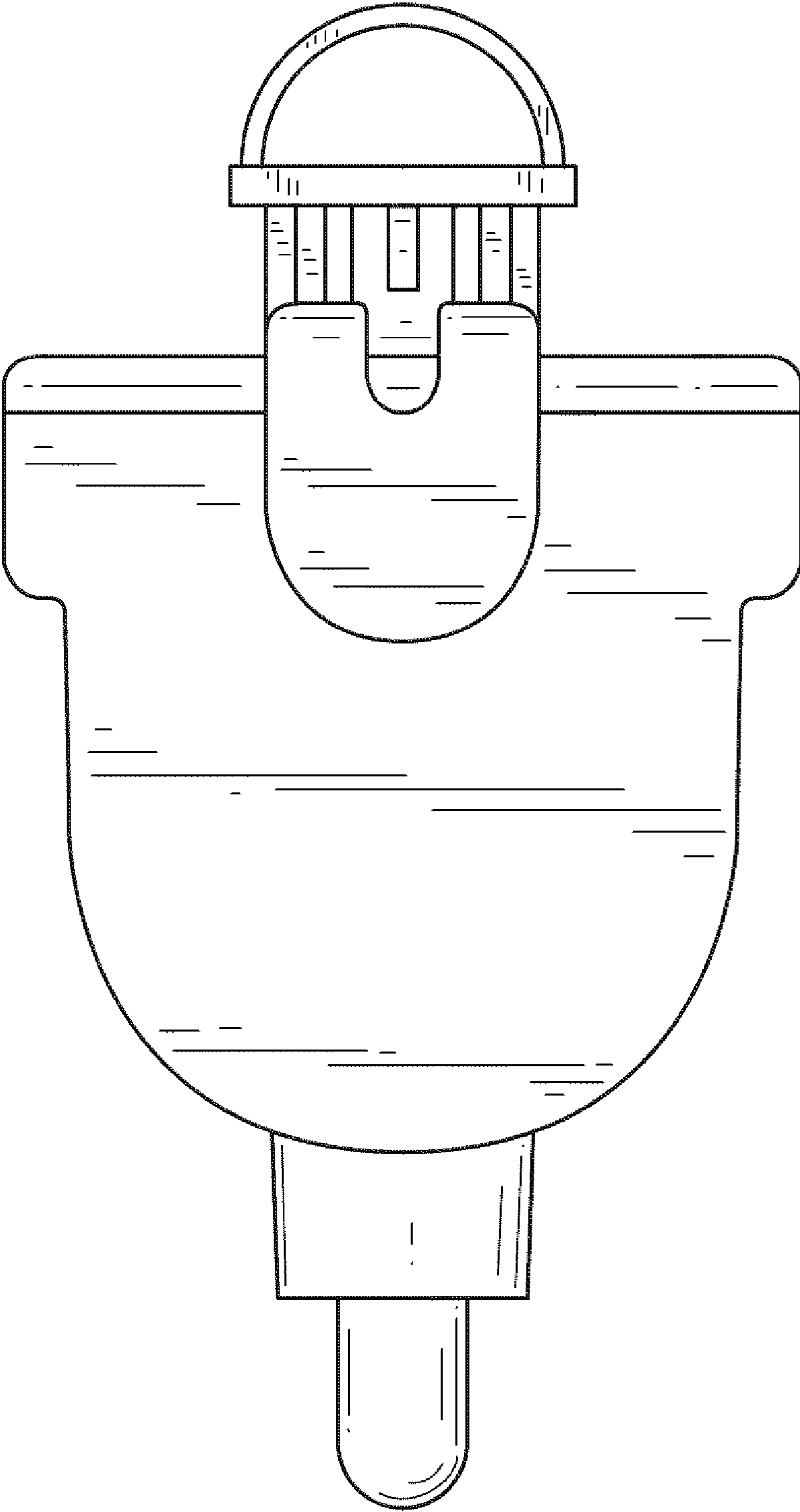


FIG.2

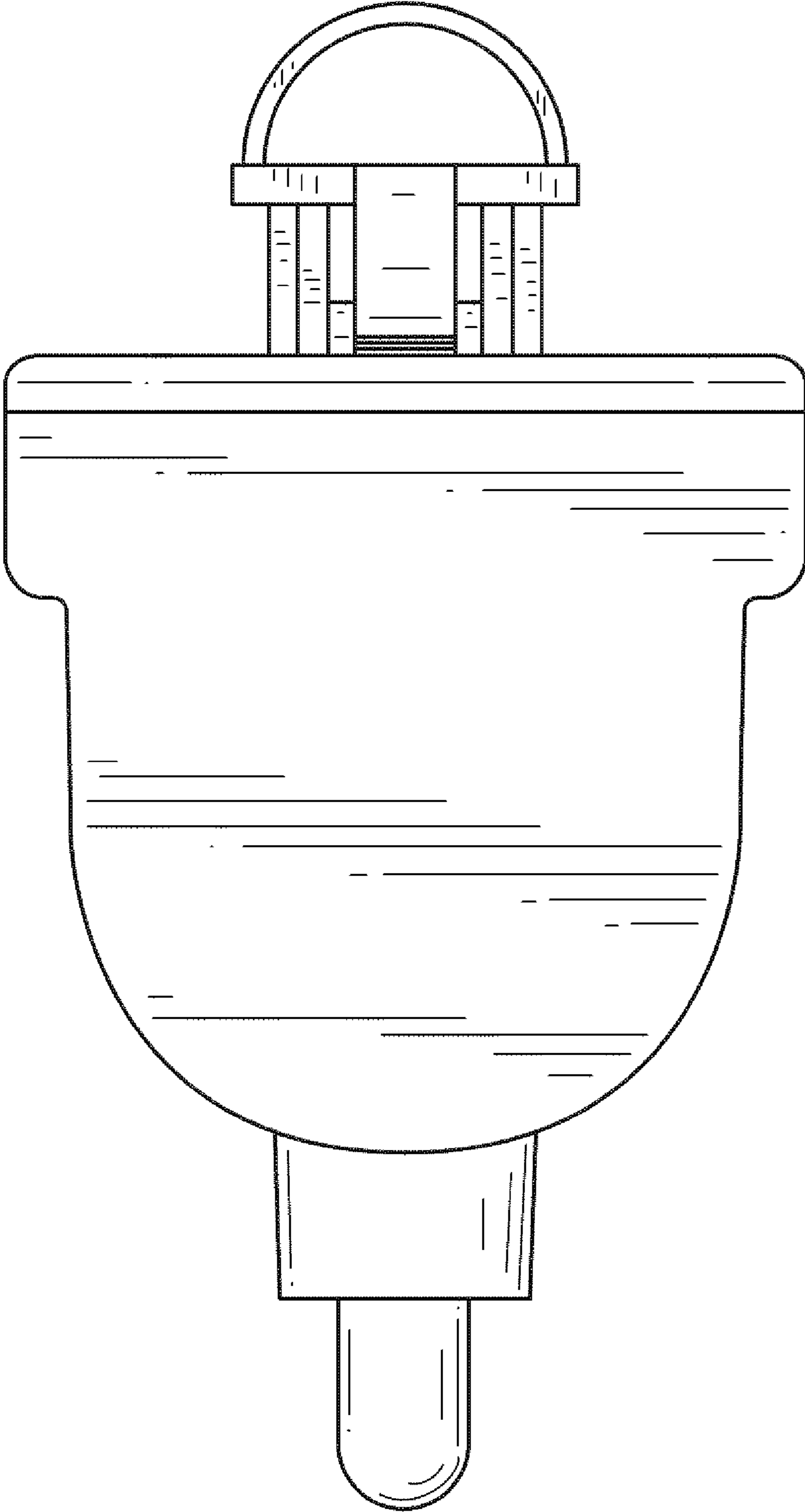


FIG.3

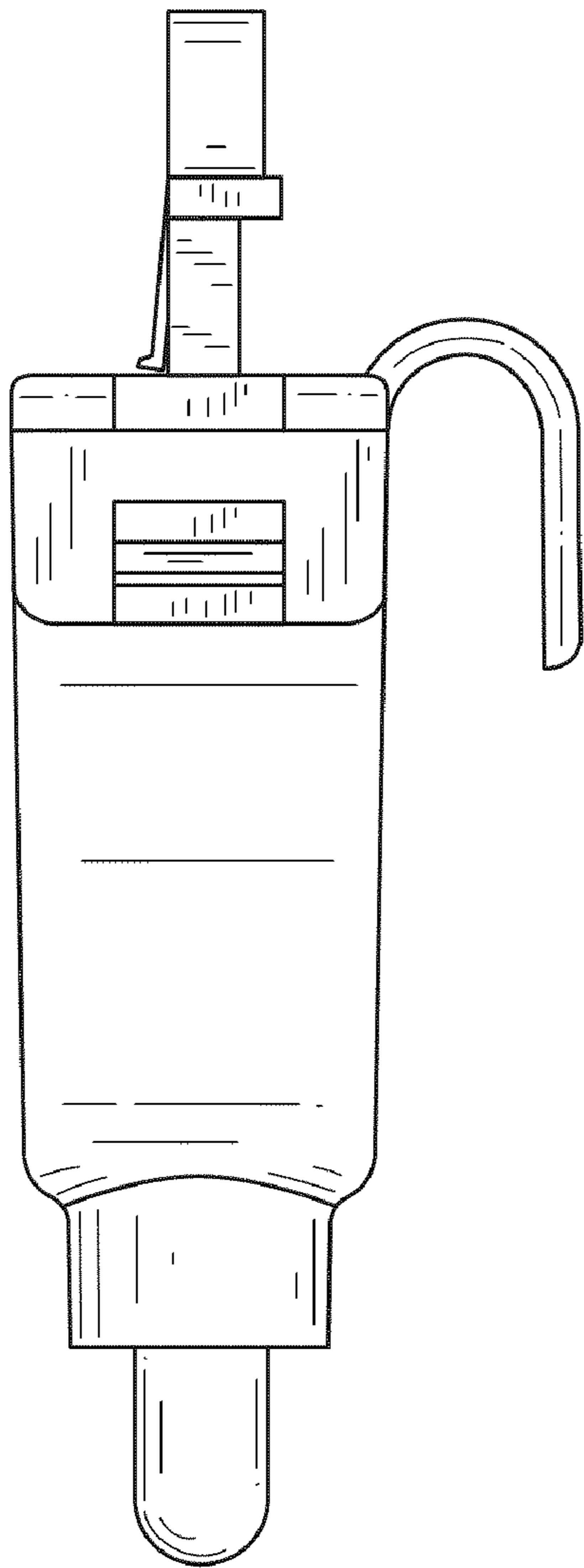


FIG. 4

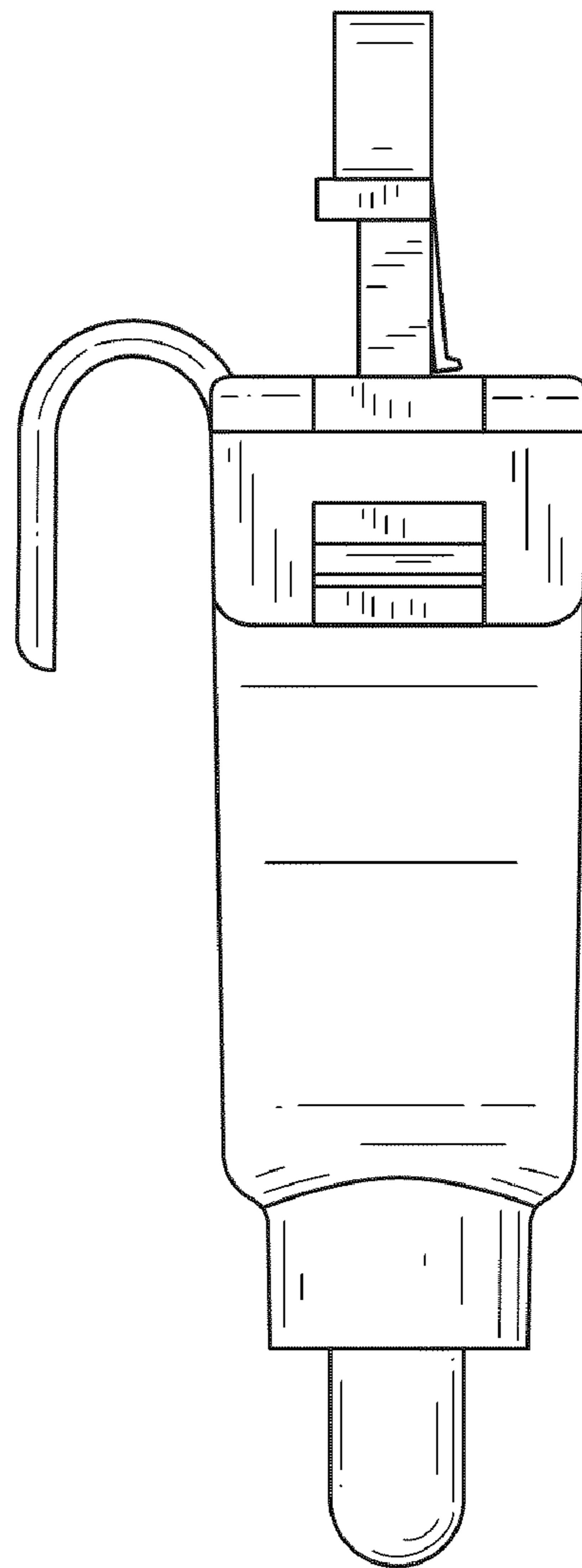


FIG. 5

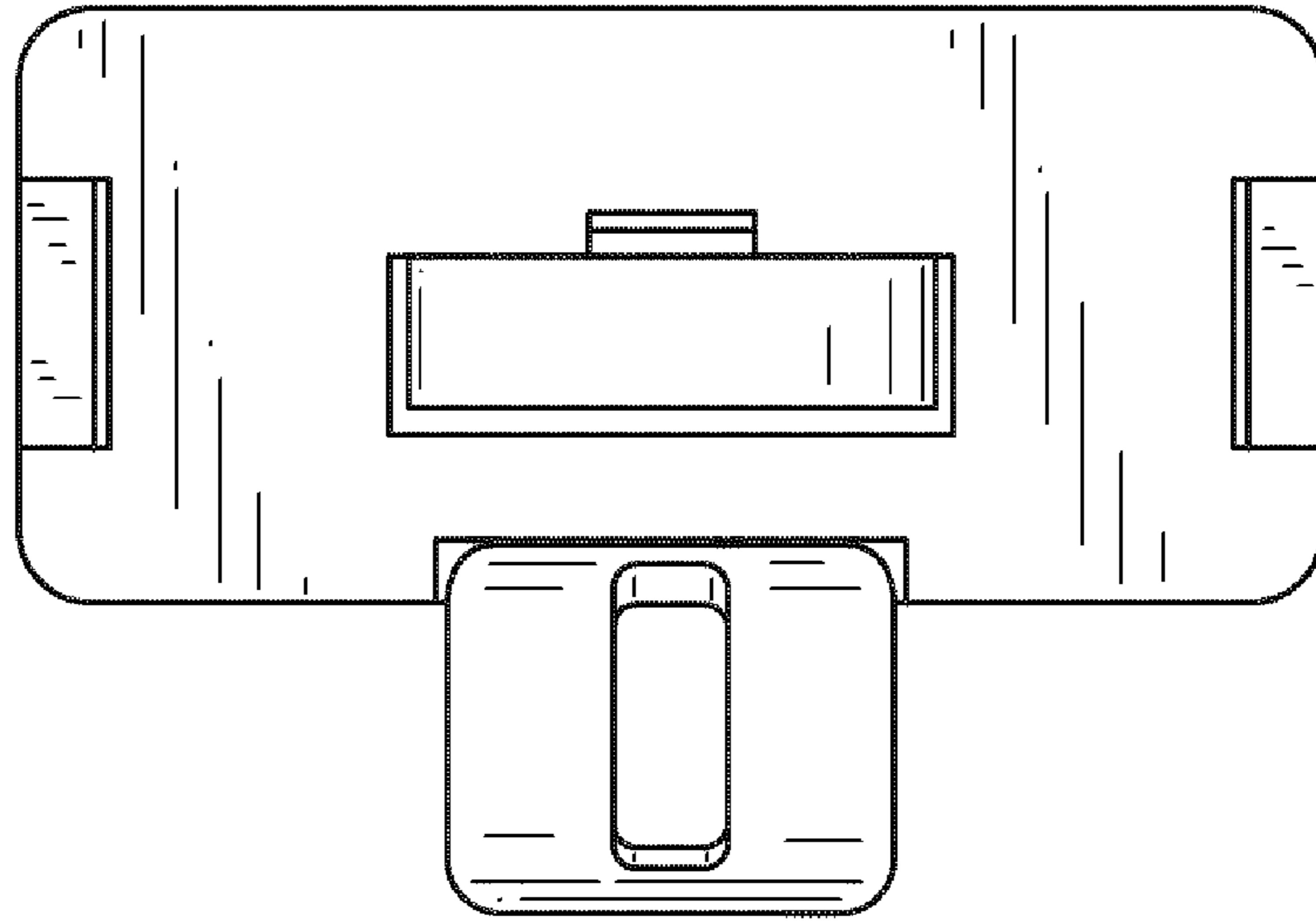


FIG. 6

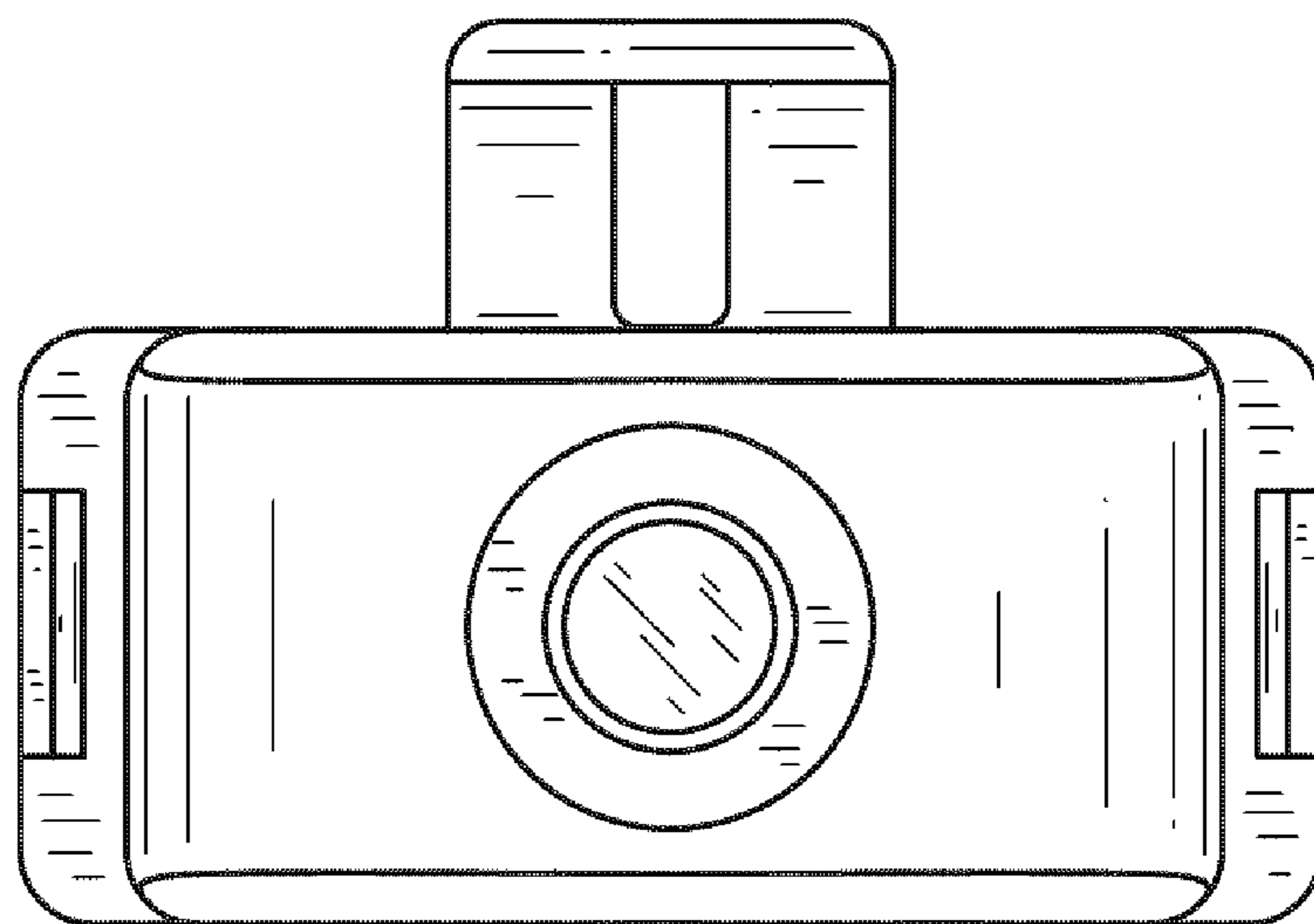


FIG. 7

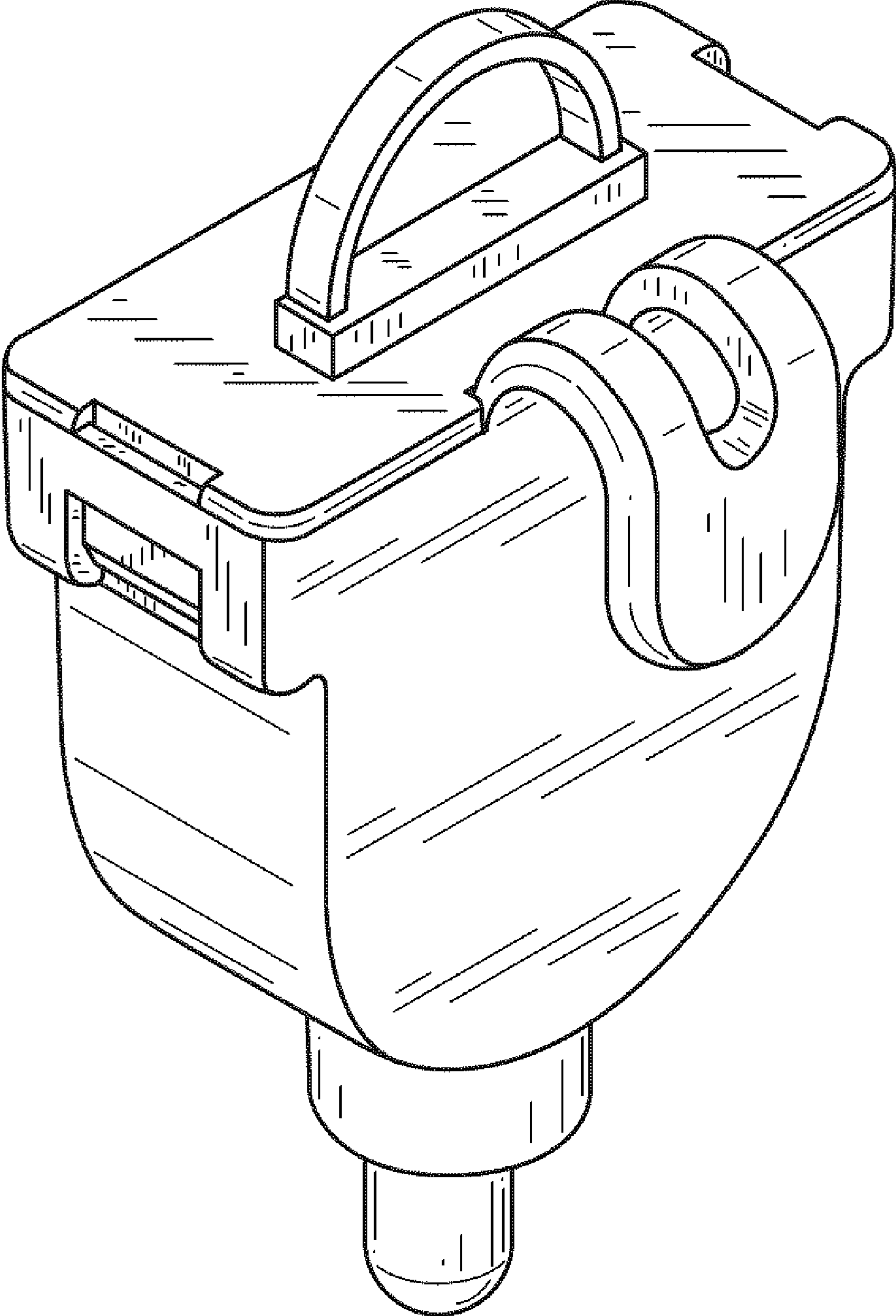


FIG.8