



US00D608037S

(12) **United States Design Patent**
Lee

(10) **Patent No.:** **US D608,037 S**
(45) **Date of Patent:** **** Jan. 12, 2010**

(54) **LAMP FOR BIKES**

(76) Inventor: **Wen-Sung Lee**, No. 72, Chaoguei Rd.,
Situn District, Taichung City (TW)

(**) Term: **14 Years**

(21) Appl. No.: **29/325,883**

(22) Filed: **Oct. 7, 2008**

(51) **LOC (9) Cl.** **26-05**

(52) **U.S. Cl.** **D26/60**

(58) **Field of Classification Search** D26/28,
D26/37, 60-63; 362/191, 196, 200, 396,
362/473-476

See application file for complete search history.

(56) **References Cited**

U.S. PATENT DOCUMENTS

D111,886 S *	10/1938	Zagel	D26/60
D411,320 S *	6/1999	Sillanpaa	D26/28
D496,483 S *	9/2004	Christianson	D26/60
D535,765 S *	1/2007	Lee	D26/28
D544,388 S *	6/2007	Chisholm	D10/114
7,293,900 B1 *	11/2007	Lee	362/476

D570,023 S *	5/2008	Lee	D26/60
D580,575 S *	11/2008	Shiu	D26/60
D592,340 S *	5/2009	Liao et al.	D26/60

* cited by examiner

Primary Examiner—Clare E Heflin
(74) *Attorney, Agent, or Firm*—Banger Shia

(57) **CLAIM**

I claim the ornamental design for a lamp for bikes, as shown and described.

DESCRIPTION

FIG. 1 is a perspective view of a lamp for bikes, showing my new design;

FIG. 2 is a front elevational view thereof;

FIG. 3 is a rear elevational view thereof;

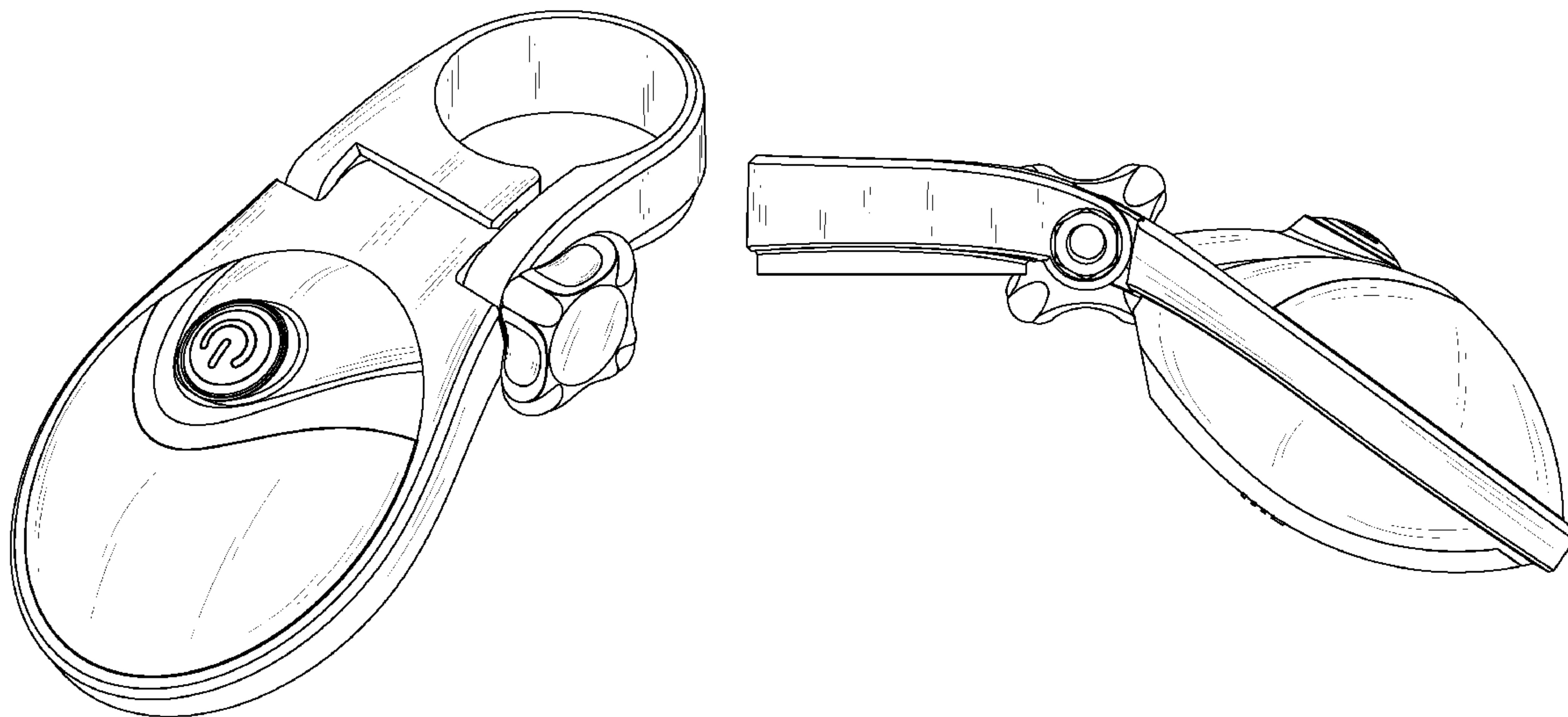
FIG. 4 is a left side elevational view thereof;

FIG. 5 is a right side elevational view thereof;

FIG. 6 is a top plan view thereof; and,

FIG. 7 is a bottom plan view thereof.

1 Claim, 7 Drawing Sheets



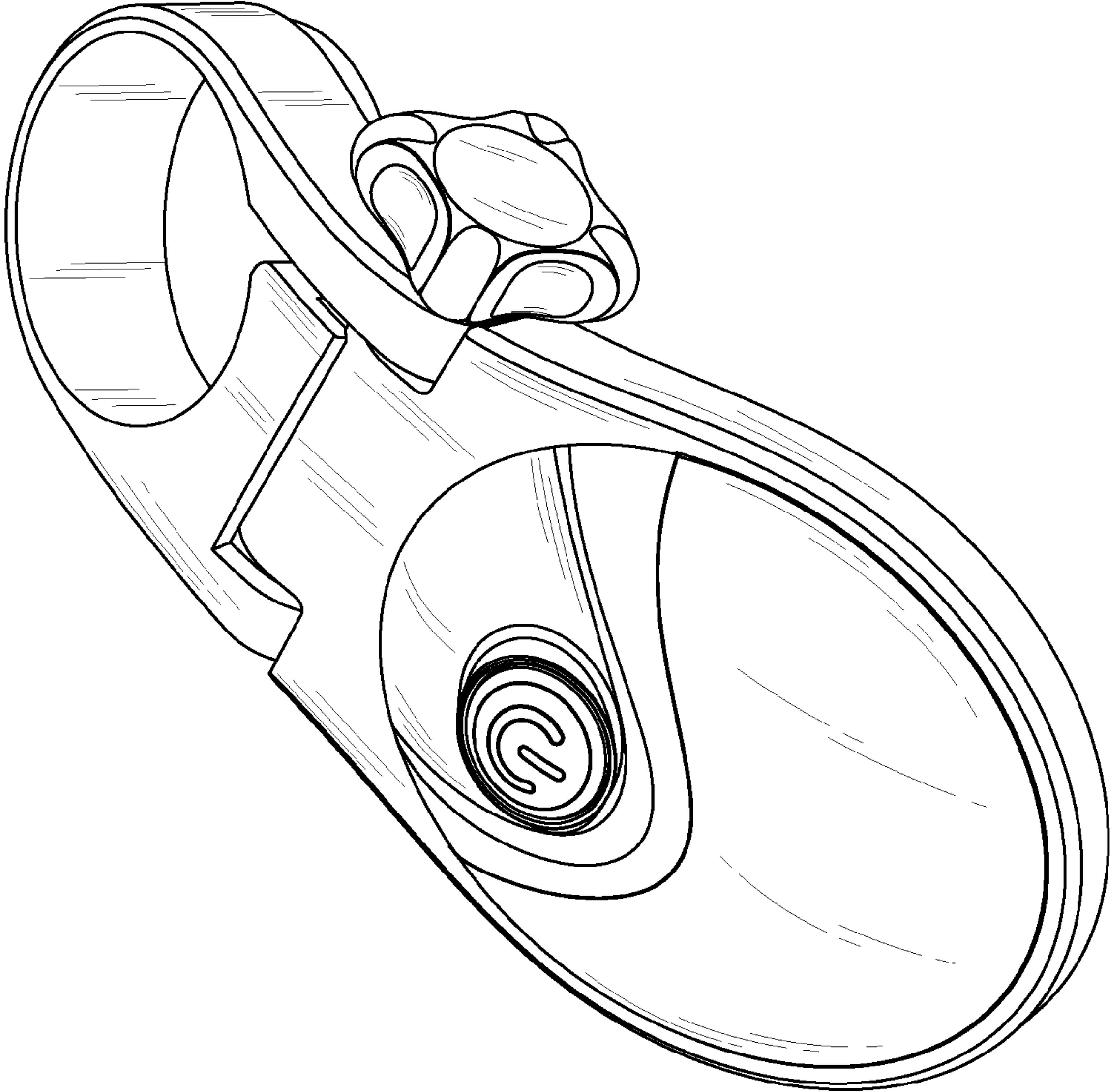


FIG. 1

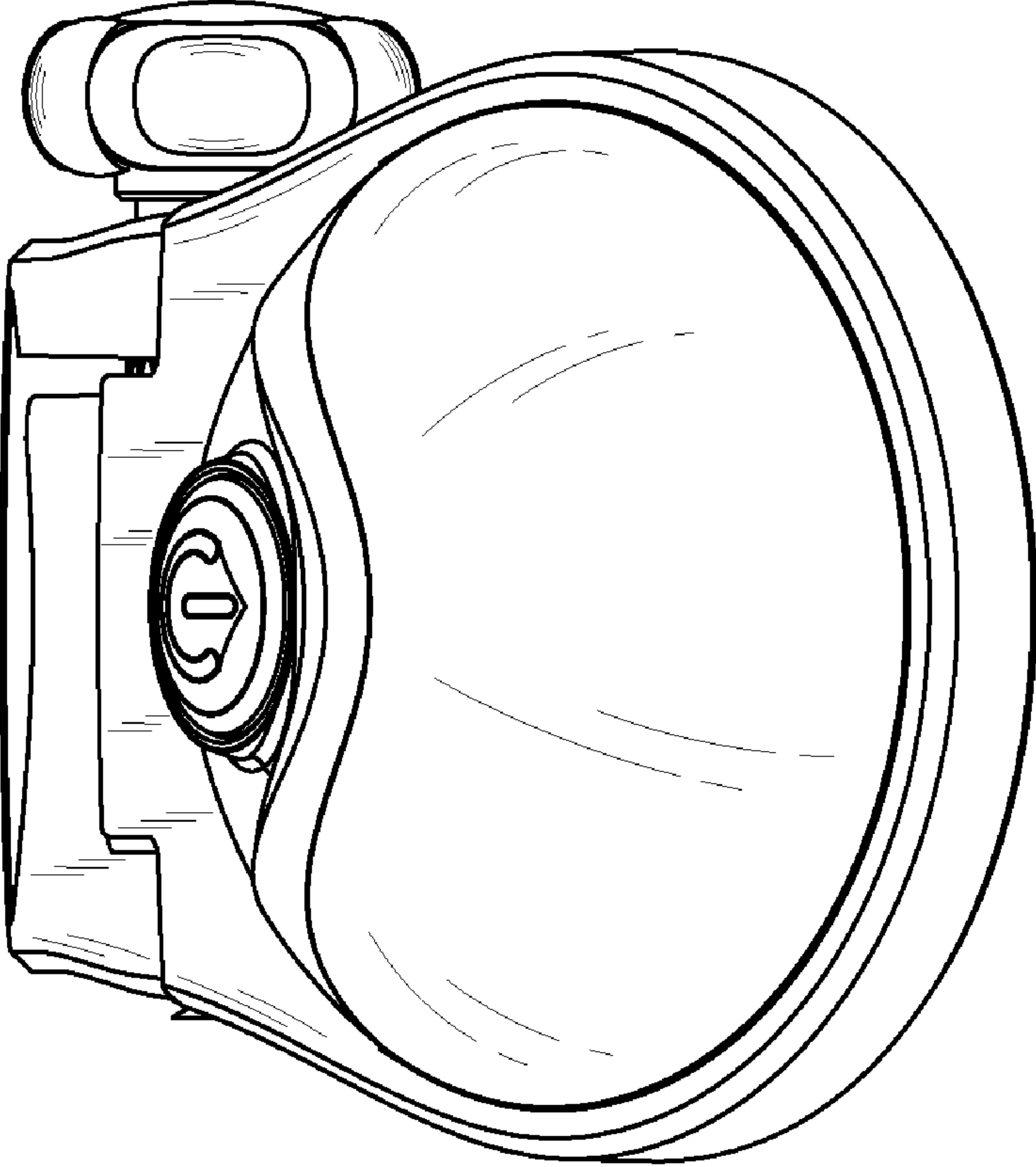


FIG. 2

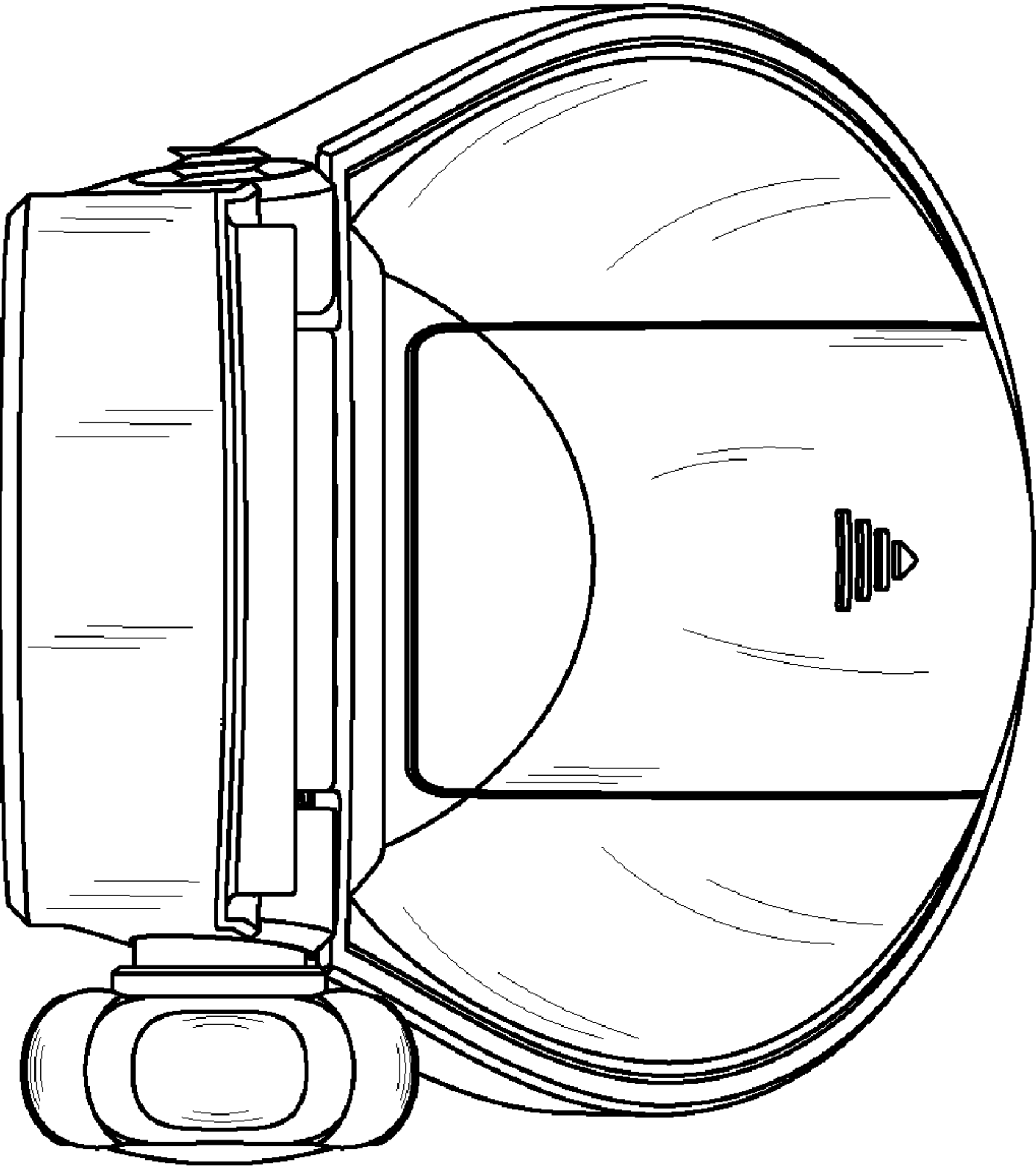


FIG. 3

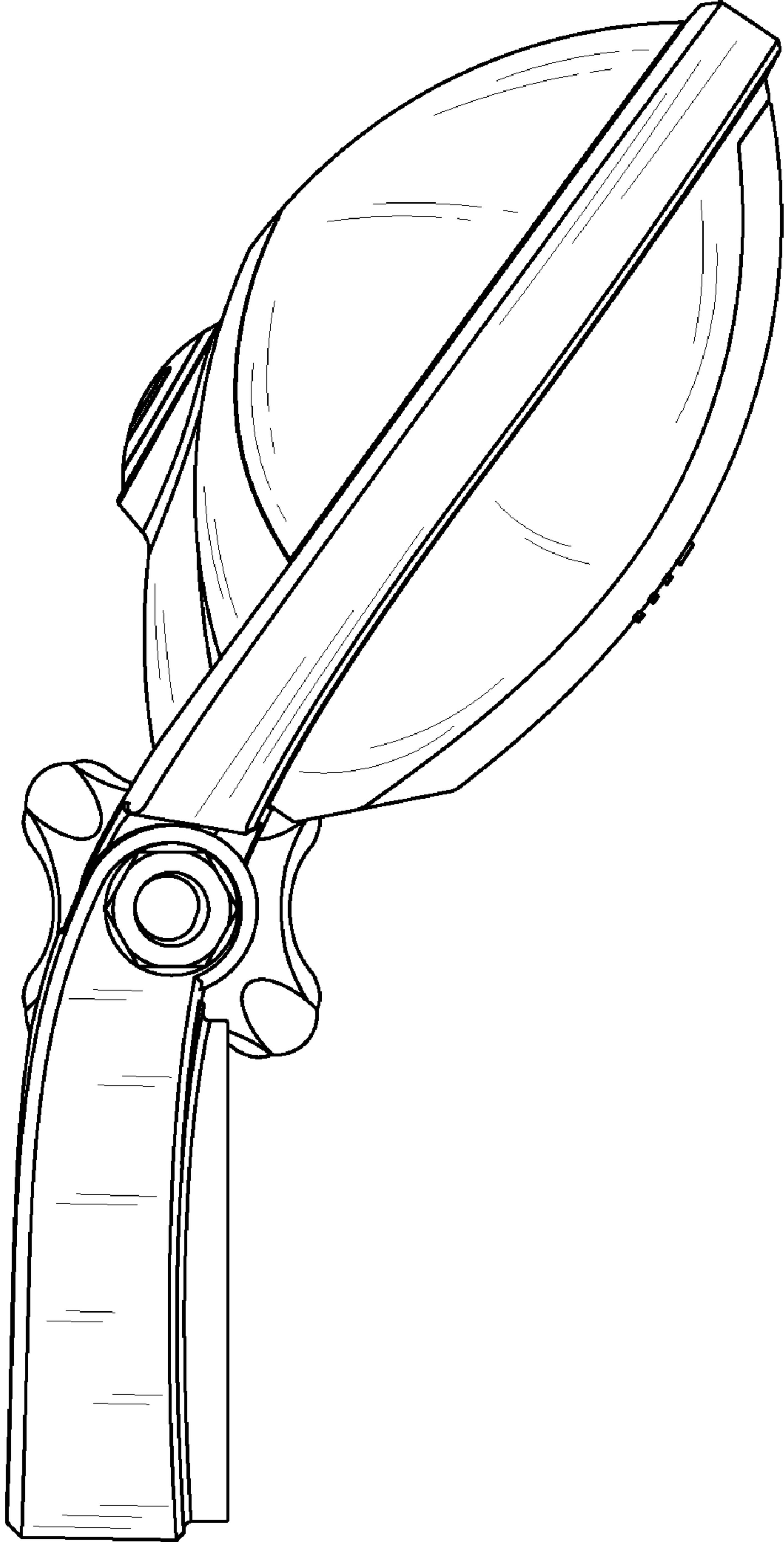


FIG. 4

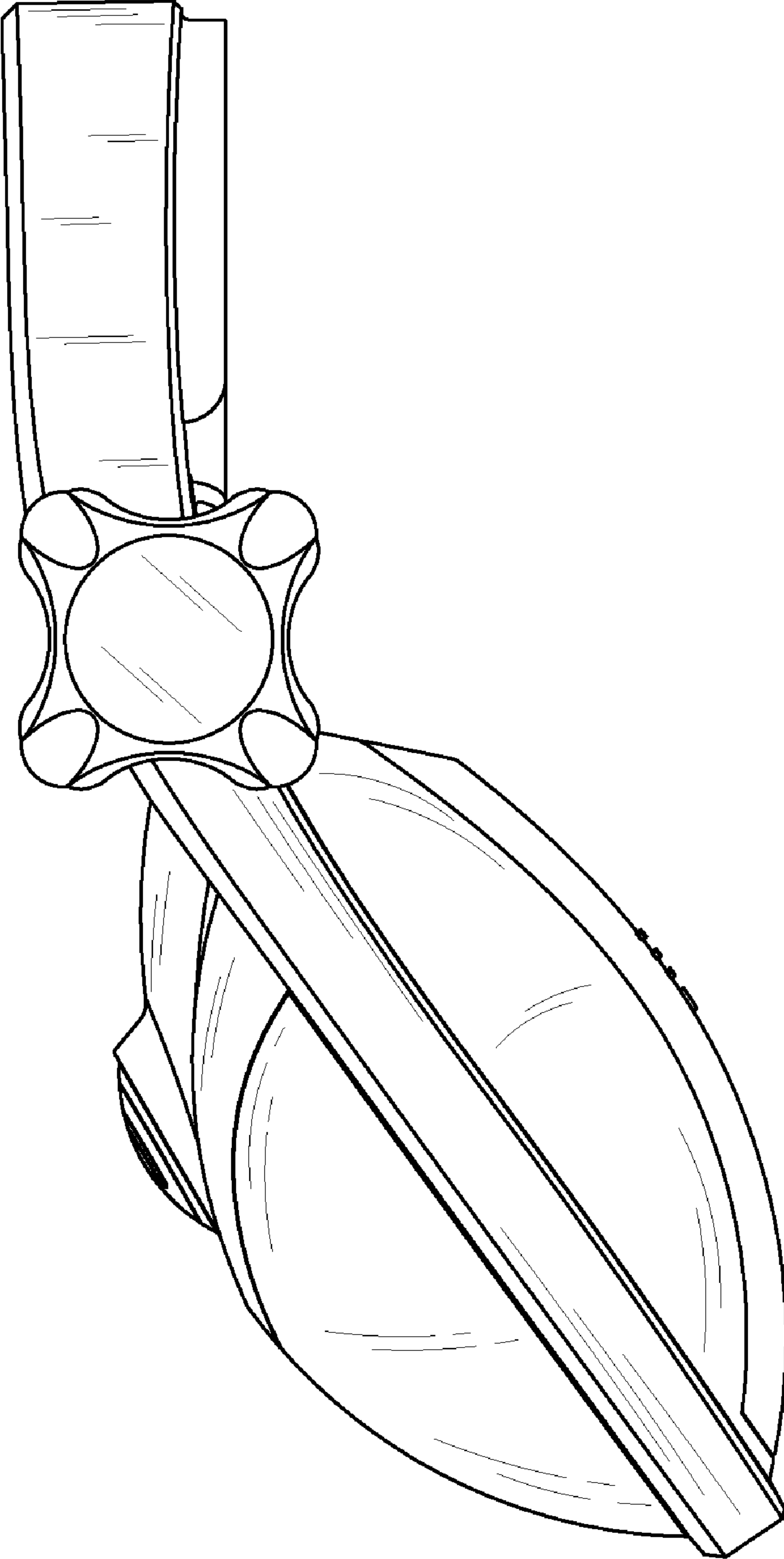


FIG. 5

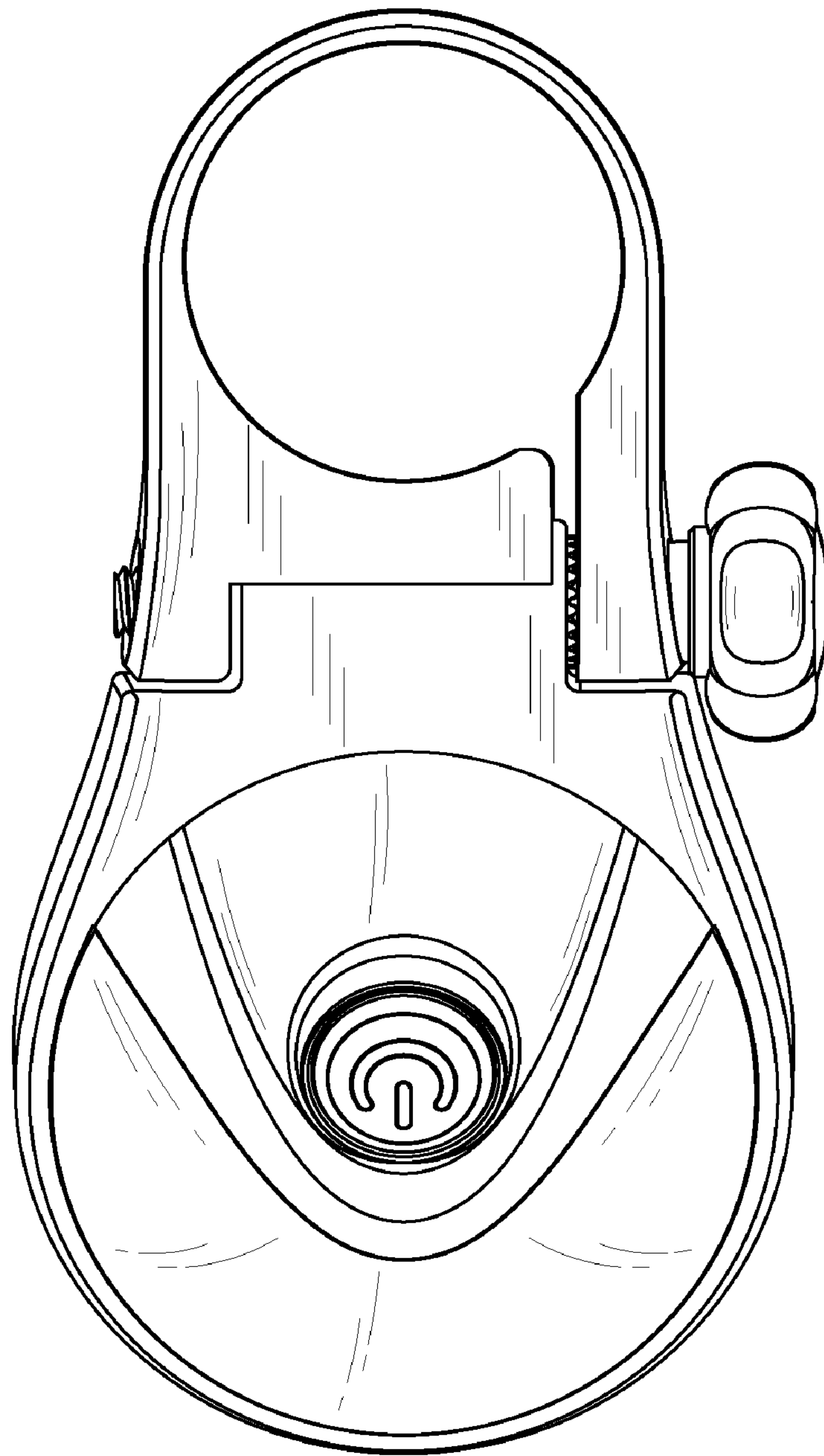


FIG. 6

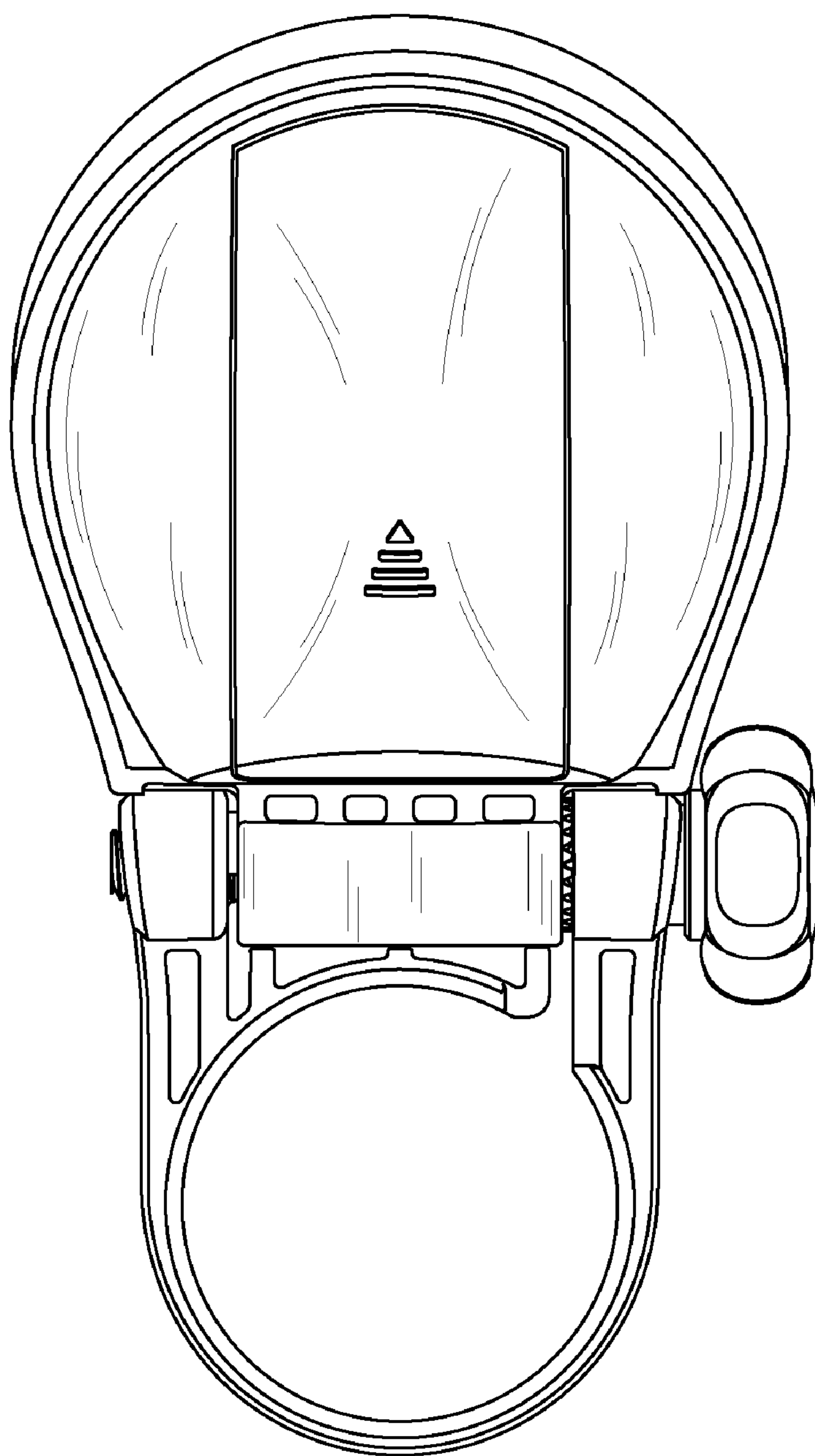


FIG. 7