



US00D608035S

(12) **United States Design Patent**  
**Lee**

(10) **Patent No.:** **US D608,035 S**  
(45) **Date of Patent:** **\*\* Jan. 12, 2010**

(54) **LIGHT**

D566,097 S \* 4/2008 Bhavnani ..... D14/168

(76) Inventor: **Wen-Sung Lee**, 9F., No. 61, Sec. 2,  
Gonyi Rd., Nantun District, Taichung  
City (TW) 40861

\* cited by examiner

*Primary Examiner*—Ian Simmons  
*Assistant Examiner*—Carissa C Fitts

(\*\*) Term: **14 Years**

(57) **CLAIM**

(21) Appl. No.: **29/332,876**

The ornamental design for a light, as shown (and described).

(22) Filed: **Feb. 27, 2009**

**DESCRIPTION**

(51) **LOC (9) Cl.** ..... **26-02**

(52) **U.S. Cl.** ..... **D26/37**

(58) **Field of Classification Search** ..... D26/37,  
D26/40, 38, 41, 46; 362/157, 158, 170–174,  
362/183, 186, 192, 193, 196, 200–208; D10/104  
See application file for complete search history.

FIG. 1 is a perspective view of a light showing my new design;

FIG. 2 is a front elevational view thereof;

FIG. 3 is a rear elevational view thereof, wherein the broken  
lines illustrate environmental structure that forms no part of  
the claimed design;

FIG. 4 is a left side view thereof;

FIG. 5 is a right side view thereof;

FIG. 6 is a top plan view thereof; and,

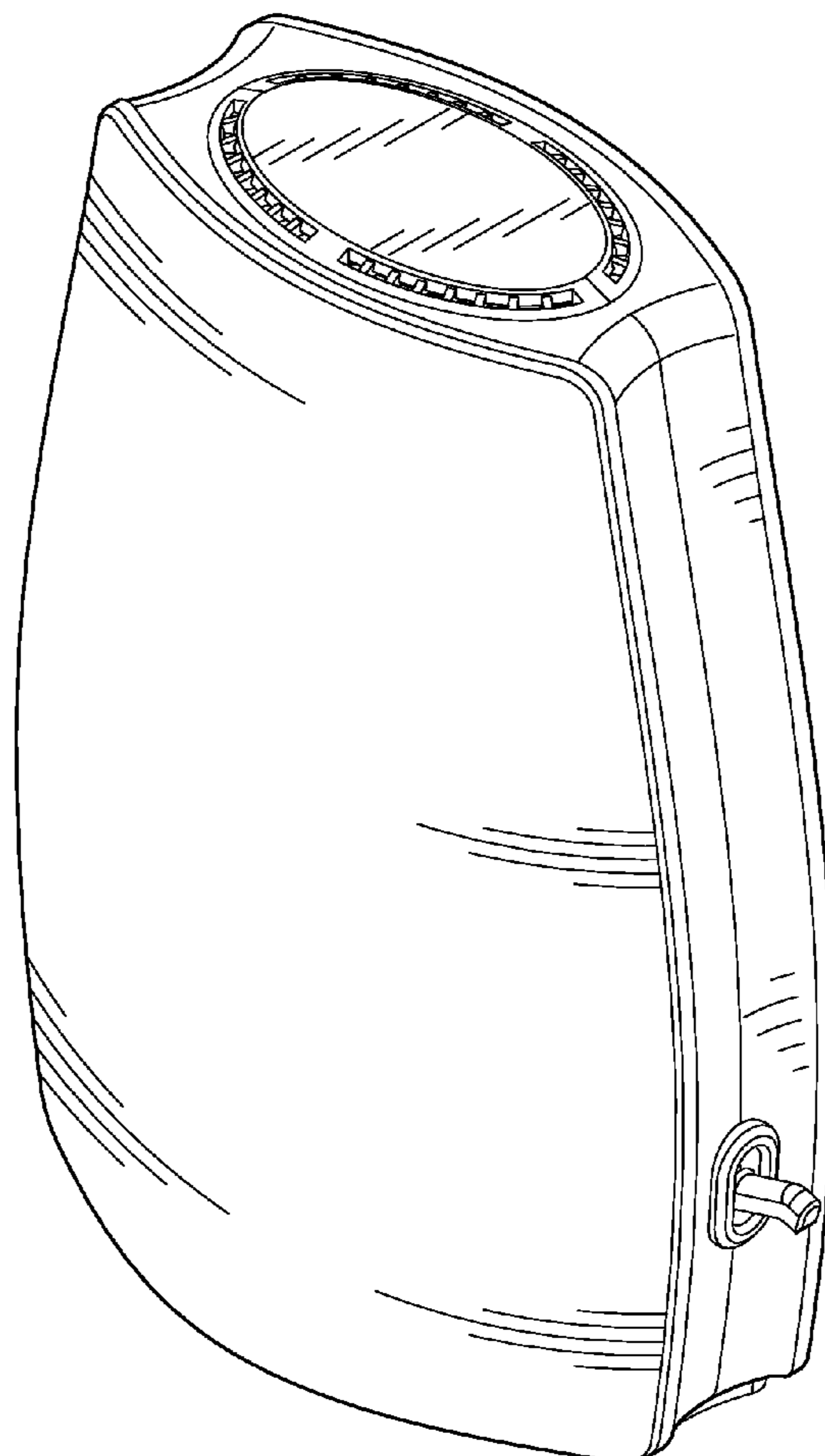
FIG. 7 is a bottom plan view thereof, wherein the broken lines  
illustrate environmental structure that forms no part of the  
claimed design.

(56) **References Cited**

U.S. PATENT DOCUMENTS

D82,244 S *	10/1930	Bernasconi et al.	.....	D26/46
D491,300 S *	6/2004	Cormier et al.	.....	D26/37
D525,536 S *	7/2006	Chan	.....	D10/2
D544,119 S *	6/2007	Ding et al.	.....	D26/37
D553,276 S *	10/2007	Campbell et al.	.....	D26/37
D564,387 S *	3/2008	Rubin et al.	.....	D10/104

**1 Claim, 6 Drawing Sheets**



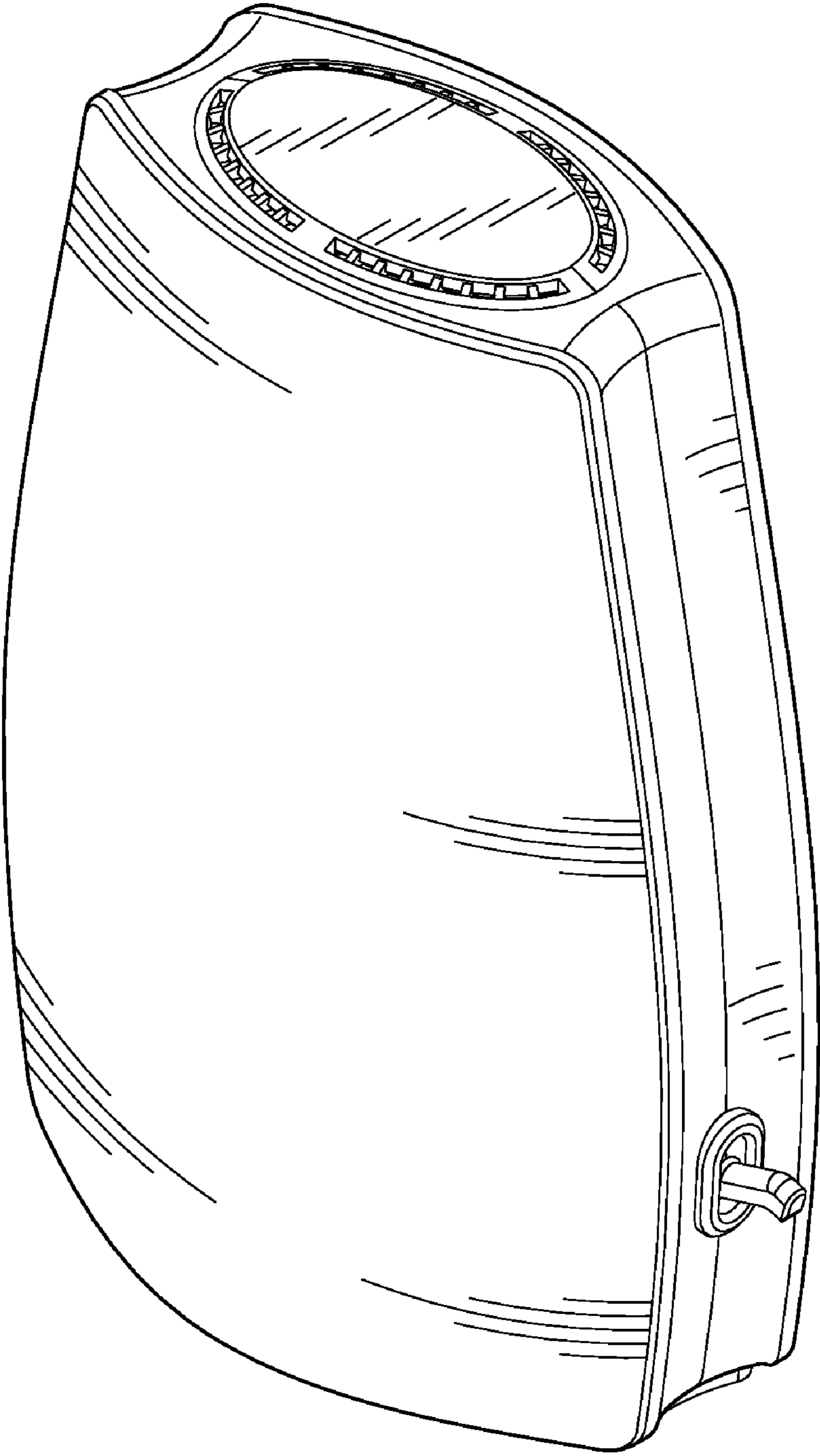


FIG. 1

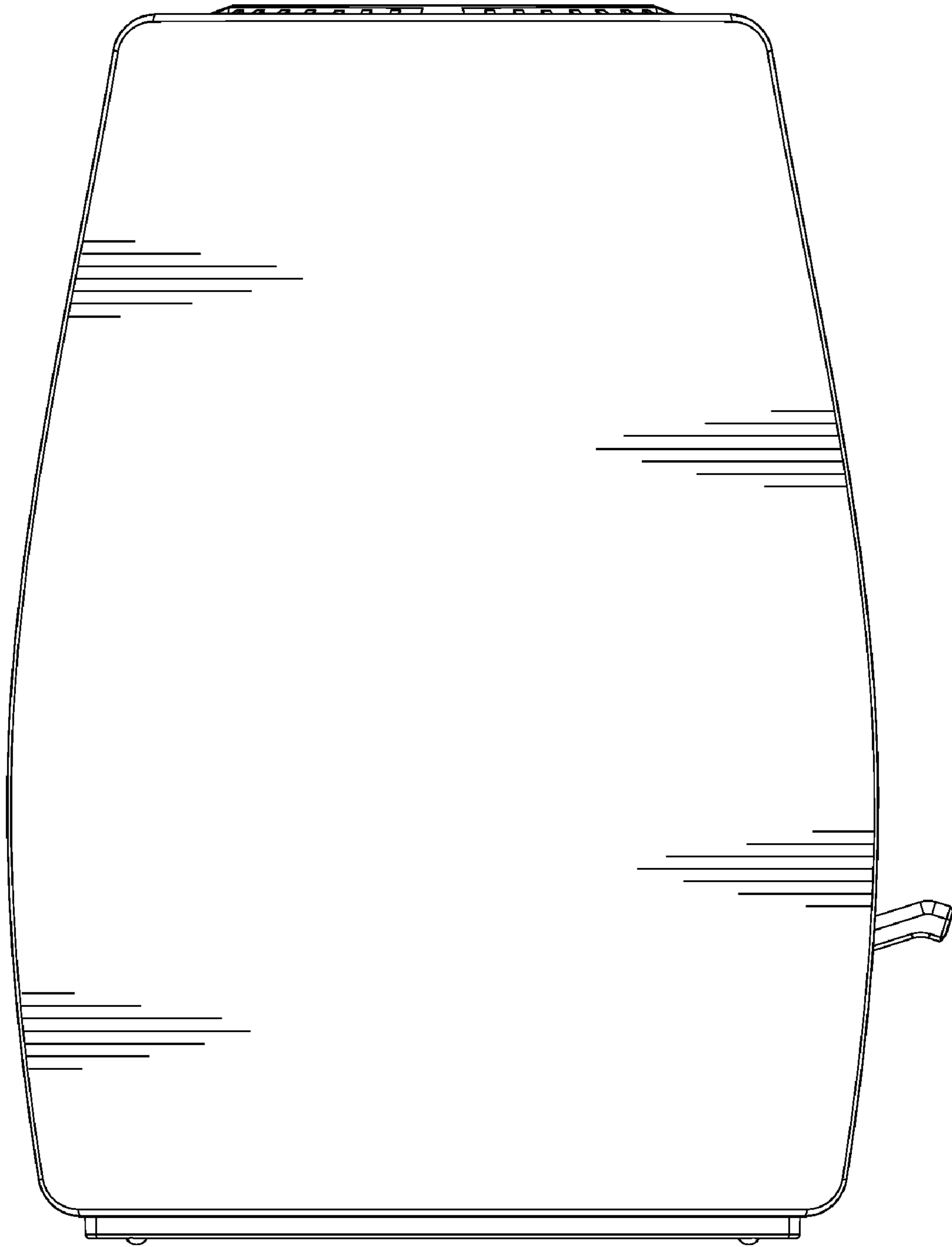


FIG. 2

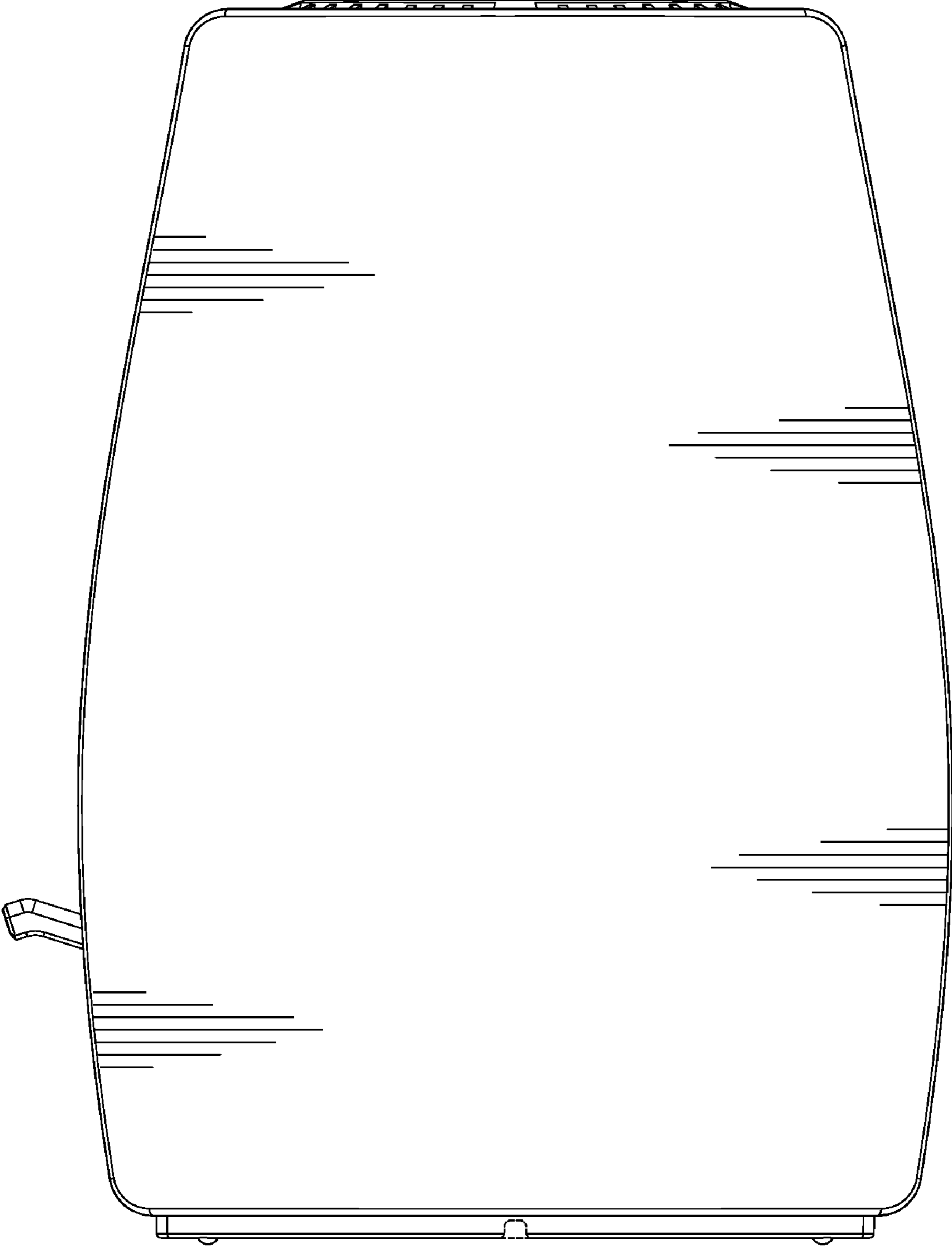


FIG. 3

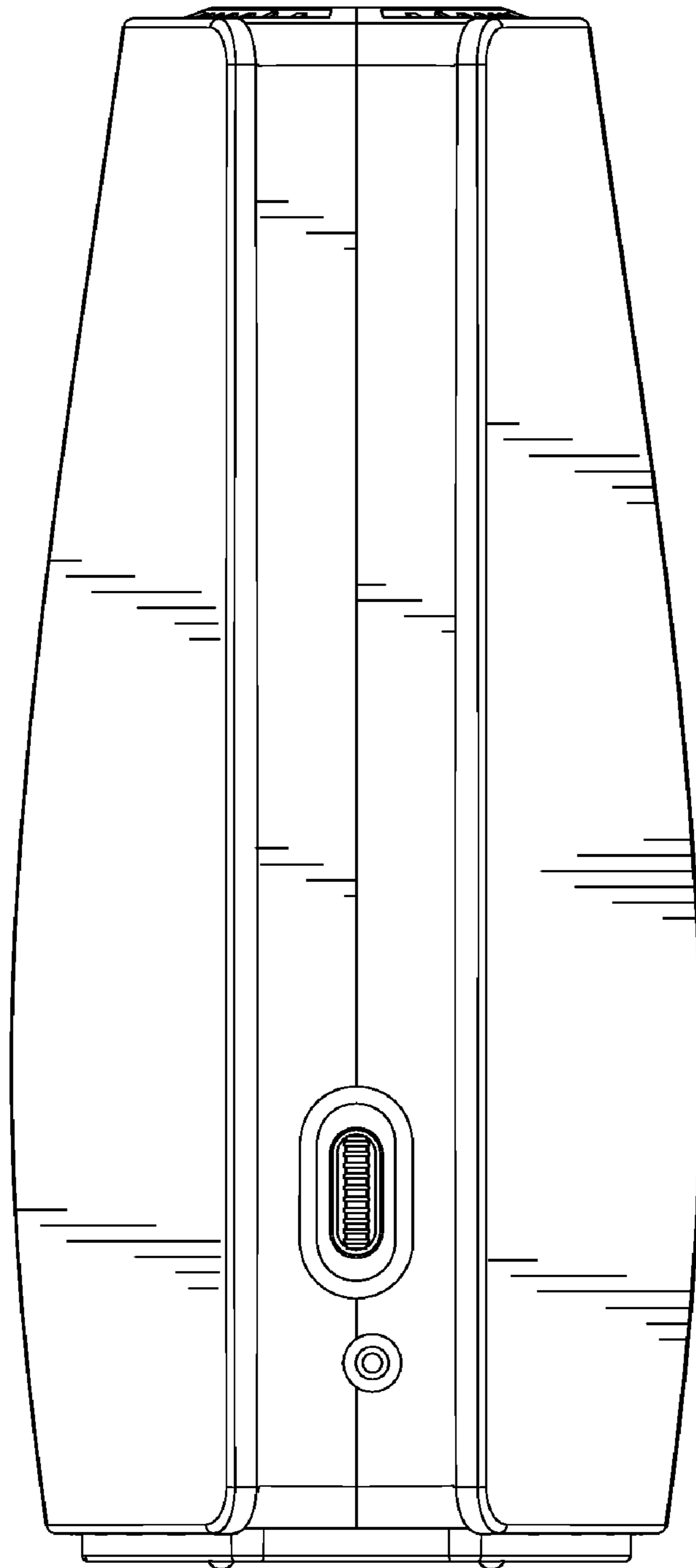


FIG. 4

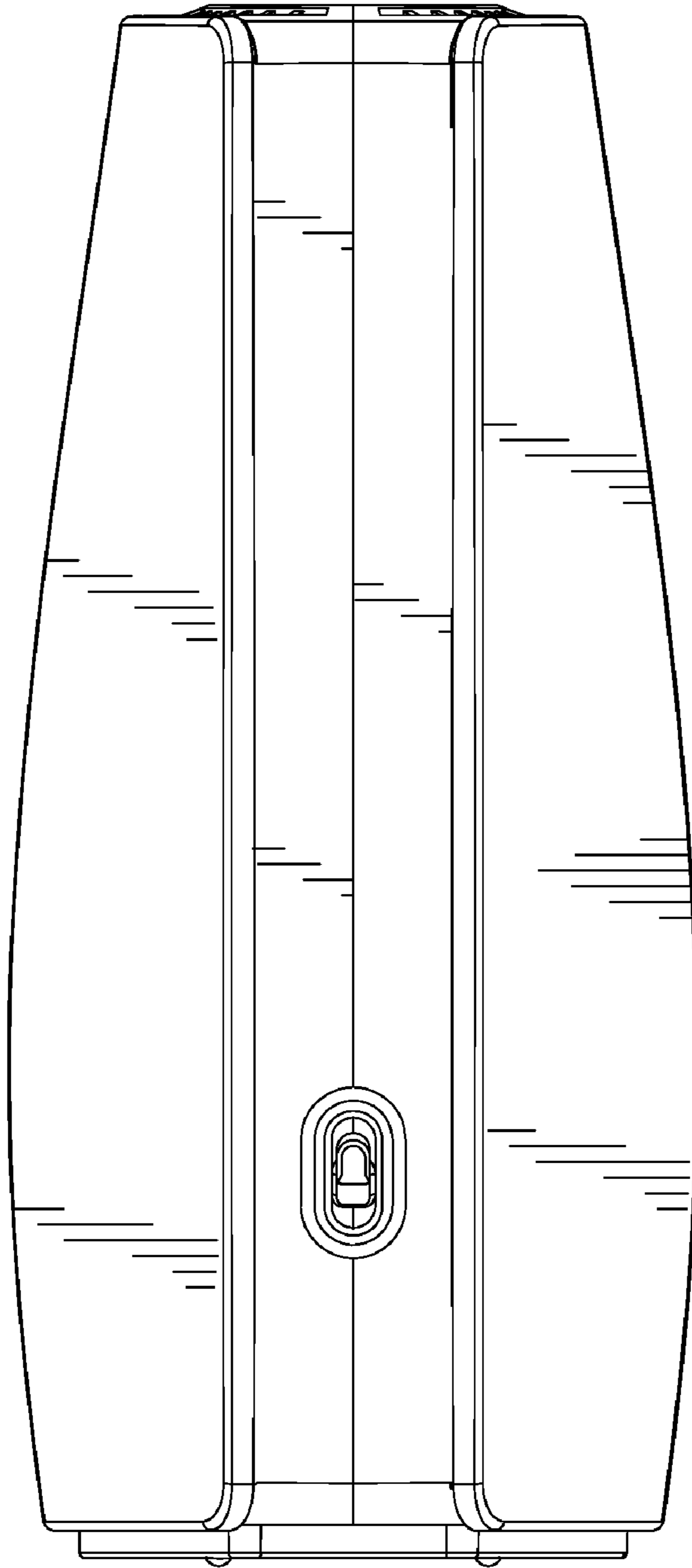


FIG. 5

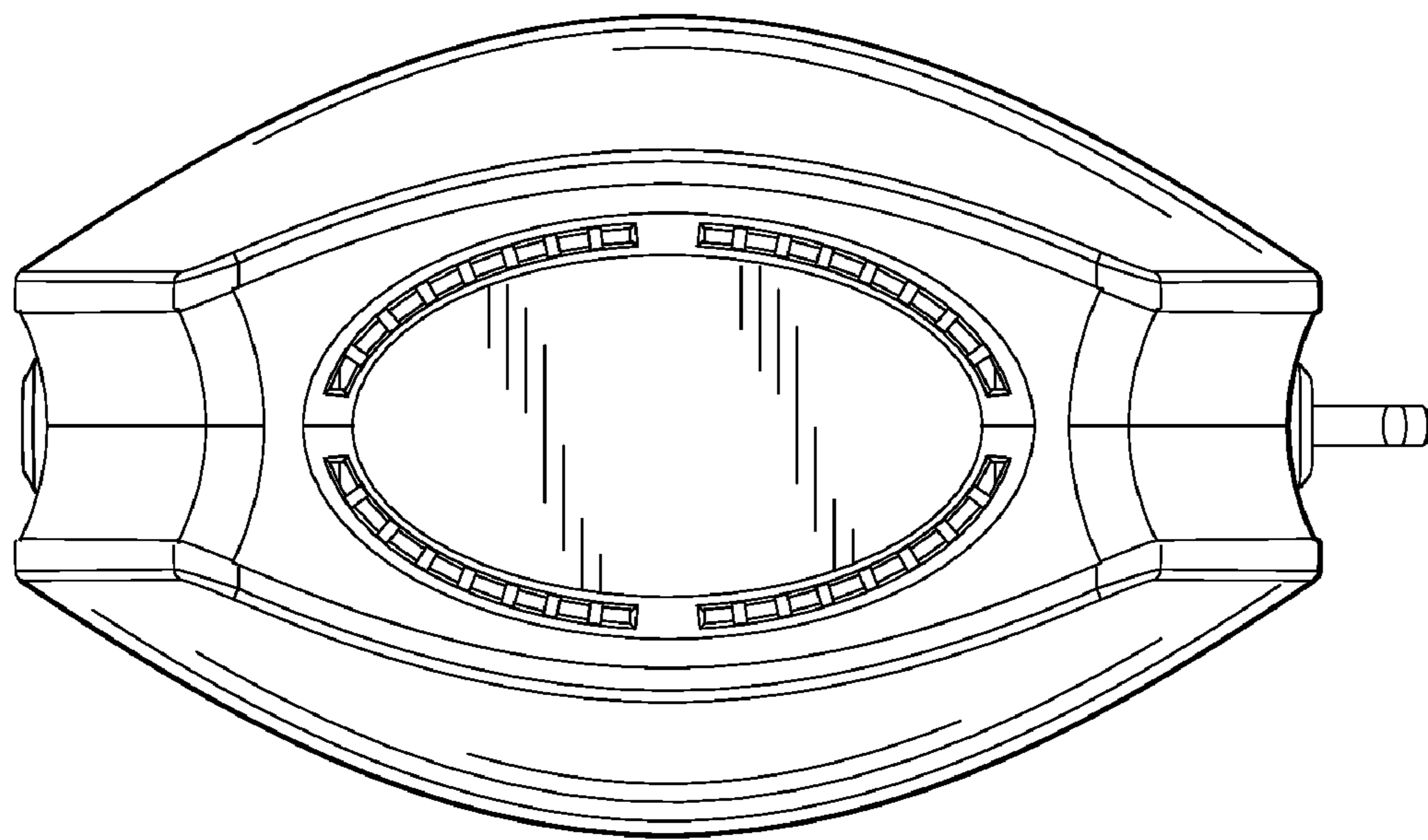


FIG. 6

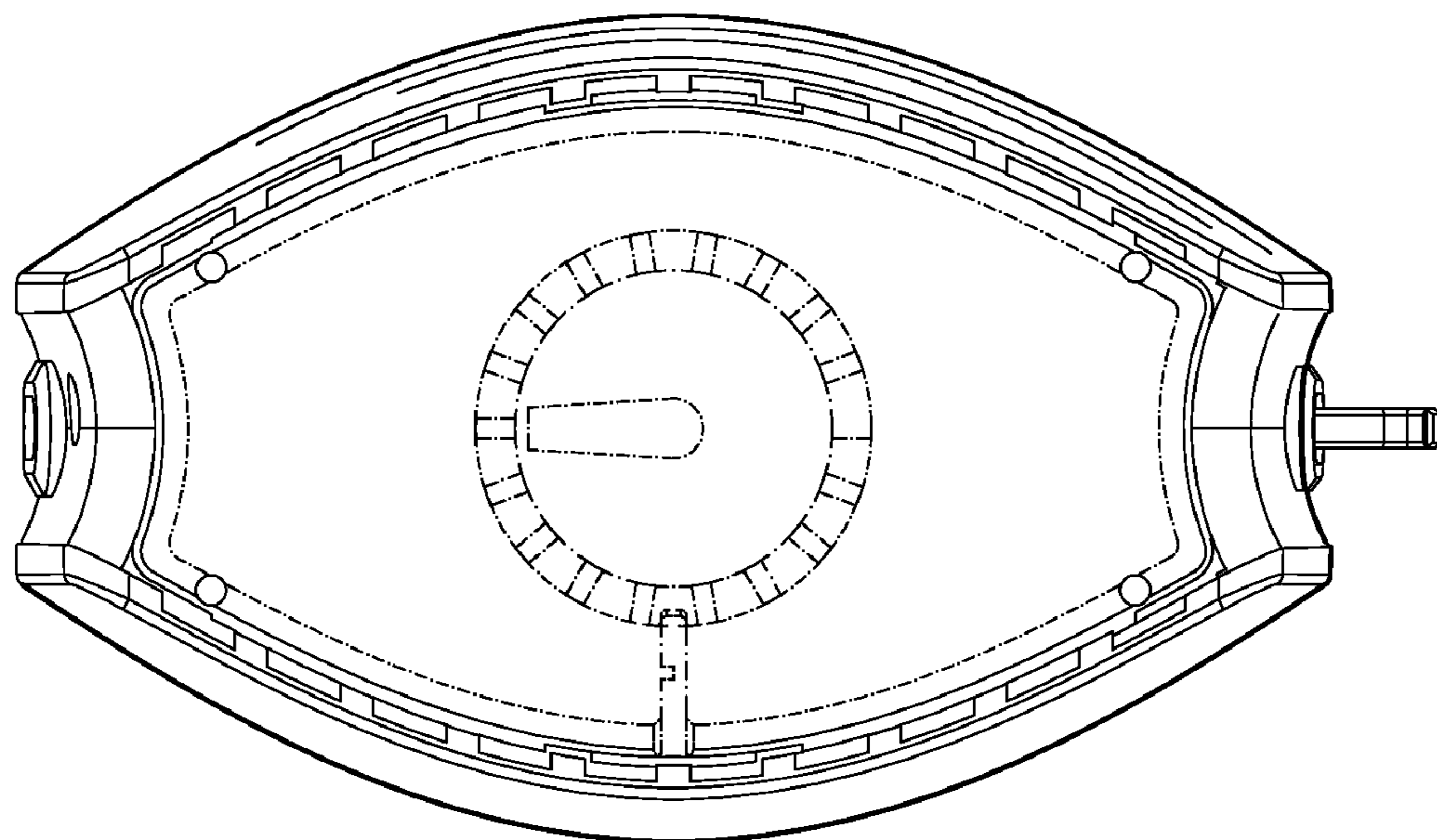


FIG. 7