



(12) **United States Design Patent**
Hesse et al.

(10) **Patent No.:** **US D608,033 S**
(45) **Date of Patent:** **** Jan. 12, 2010**

(54) **PORTION OF A FLASHLIGHT**

(75) Inventors: **Bryan L. Hesse**, Guilford, CT (US);
James Sener, Glastonbury, CT (US);
Kevin S. Garrity, Madison, CT (US)

(73) Assignee: **The Gillette Company**, Boston, MA
(US)

(**) Term: **14 Years**

(21) Appl. No.: **29/324,659**

(22) Filed: **Sep. 17, 2008**

Related U.S. Application Data

(63) Continuation of application No. 29/296,218, filed on
Oct. 16, 2007, now abandoned.

(51) **LOC (9) Cl.** **26-02**

(52) **U.S. Cl.** **D26/37; D26/49**

(58) **Field of Classification Search** **D26/37-50;**
362/157, 158, 168, 171-174, 183-208
See application file for complete search history.

(56) **References Cited**

U.S. PATENT DOCUMENTS

D353,216 S 12/1994 Sharrah et al.
D363,361 S 10/1995 Maglica

(Continued)

OTHER PUBLICATIONS

Hesse et al., U.S. Appl. No. 29/296,228, filed Oct. 16, 2007, entitled
"Flashlight".

(Continued)

Primary Examiner—Marcus A Jackson
(74) *Attorney, Agent, or Firm*—Fish & Richardson P.C.

(57) **CLAIM**

The ornamental design for a portion of a flashlight, as shown
and described.

DESCRIPTION

FIG. 1 is a perspective view of the portion of a flashlight as
seen from the front, top, right side;

FIG. 2 is a perspective view of the portion of a flashlight of
FIG. 1 as seen from the rear, top, left side;

FIG. 3 is an enlarged perspective view of a portion of a
flashlight of FIG. 1 showing parts of the design at a larger
scale;

FIG. 4 is a cross-sectional view of the portion of a flashlight
of FIG. 1, taken along section 4—4 of FIG. 3;

FIG. 5 is a perspective view of a second embodiment of a
portion of a flashlight as seen from the front, top, right side;

FIG. 6 is a perspective view of the portion of a flashlight of
FIG. 5 as seen from the rear, top, left side; and,

FIG. 7 is an enlarged perspective view of a portion of a
flashlight of FIG. 5 showing parts of the design at a larger
scale.

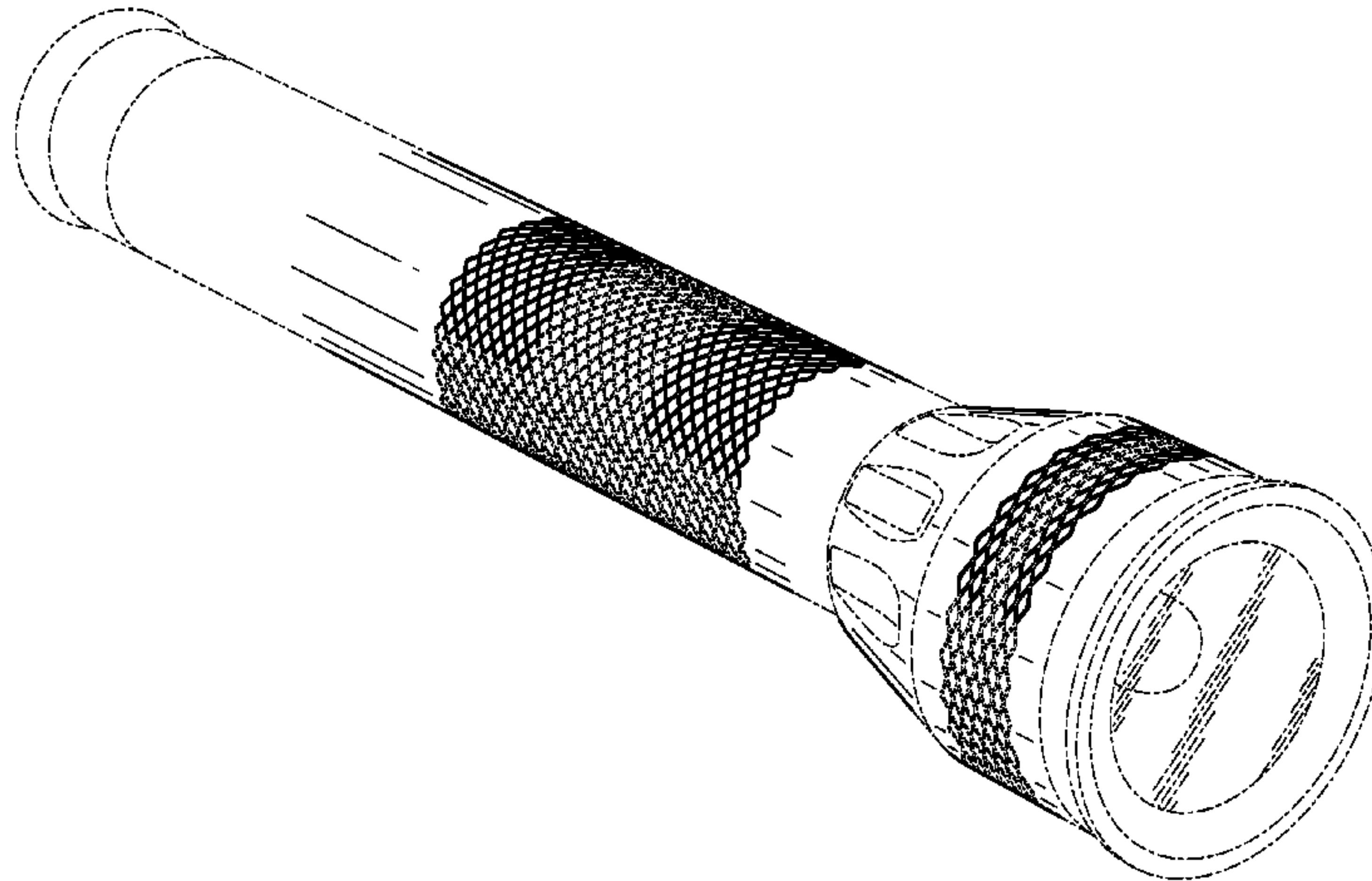
The broken lines which define the bounds of the claimed
design form no part thereof. The broken lines showing the
remainder of the flashlight are for illustrative purposes only
and form no part of the claimed design.

The ornamental features shown in FIG. 4 are present in the
flashlight of FIG. 5.

In other embodiments, the ornamental features illustrated in
the Figures extend around the entire circumference of the
flashlight.

In other embodiments, the flashlight includes flared front and
rear end portions shown in broken lines in the Figures, i.e., the
front and rear end portions defining the flares optionally are
shown in solid lines.

1 Claim, 7 Drawing Sheets



US D608,033 S

Page 2

U.S. PATENT DOCUMENTS

D367,721 S 3/1996 Maglica
D368,045 S 3/1996 Akers, Sr.
D479,298 S 9/2003 Parsons
D491,679 S 6/2004 Lau
D500,566 S 1/2005 Hu
D502,275 S 2/2005 Saunders
D513,642 S 1/2006 Zhang
D544,621 S 6/2007 Kim
D548,861 S * 8/2007 Chapman D26/37

D549,369 S 8/2007 DeBrunner
D551,366 S 9/2007 Galli
D574,982 S * 8/2008 Lau D26/37
D574,984 S 8/2008 Hesse et al.
D579,594 S * 10/2008 Hesse et al. D26/37

OTHER PUBLICATIONS

Hesse et al., U.S. Appl. No. 29/292,537, filed Oct. 16, 2007, entitled
"Flashlight".

* cited by examiner

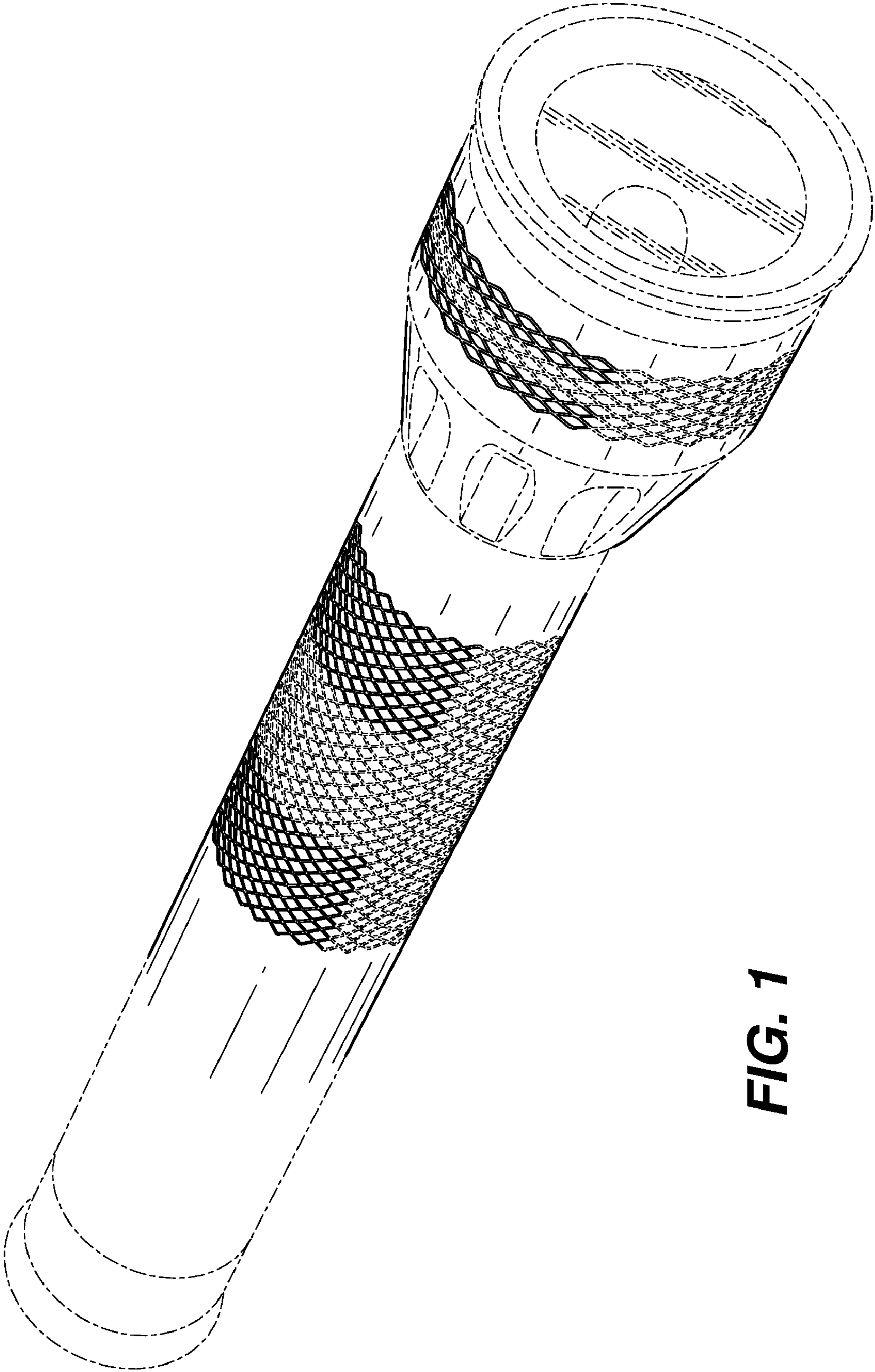


FIG. 1

FIG. 2

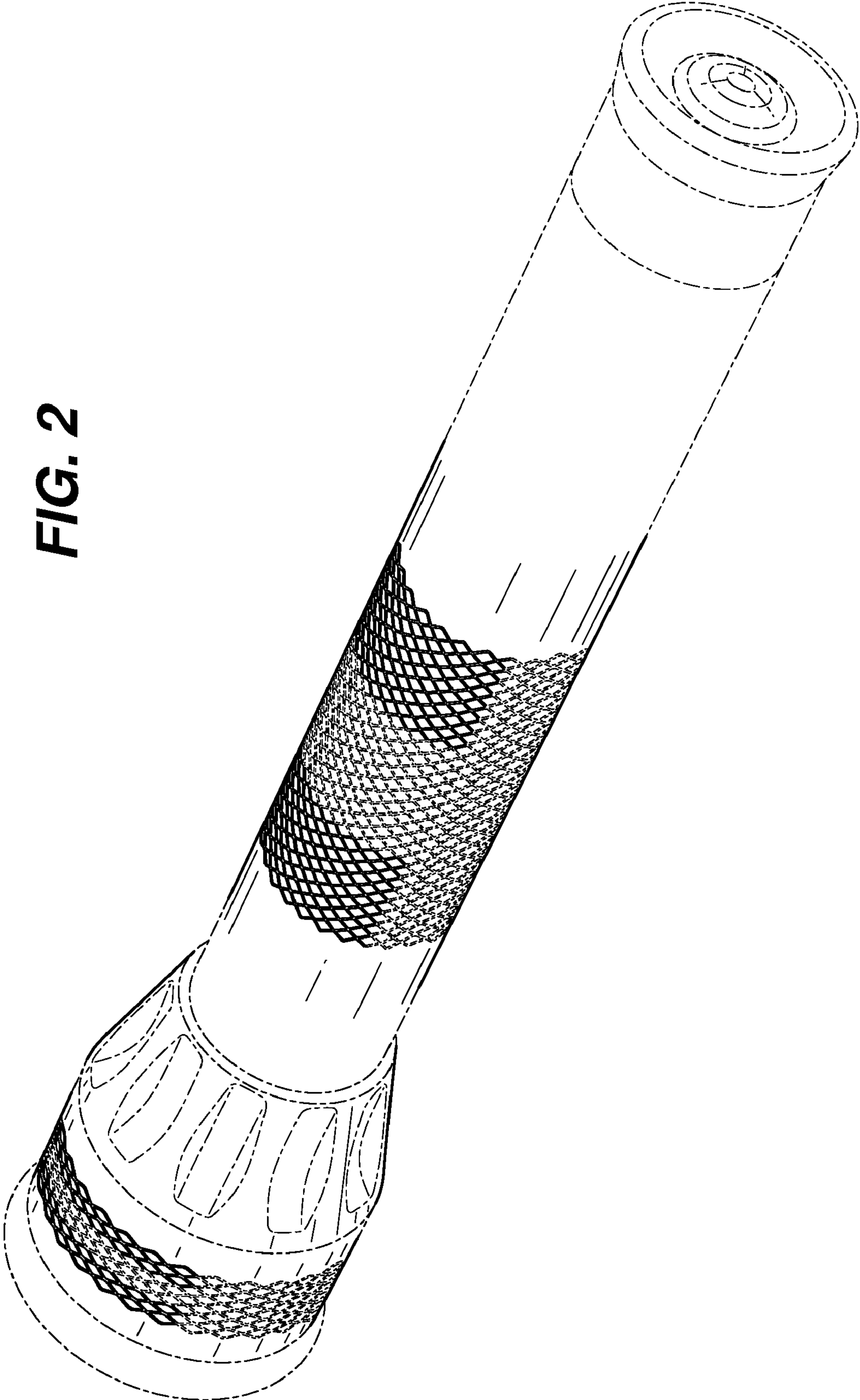


FIG. 3

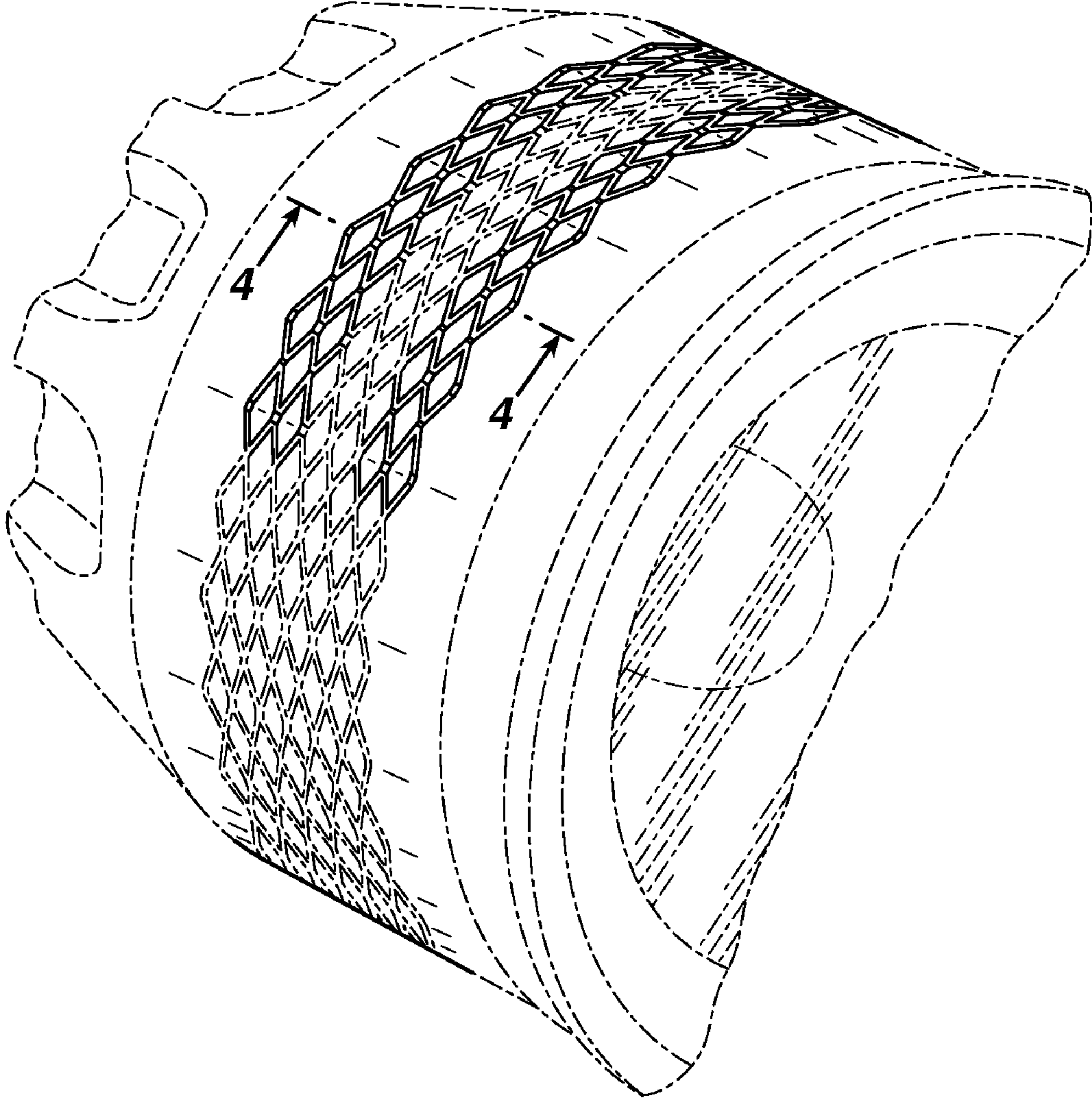
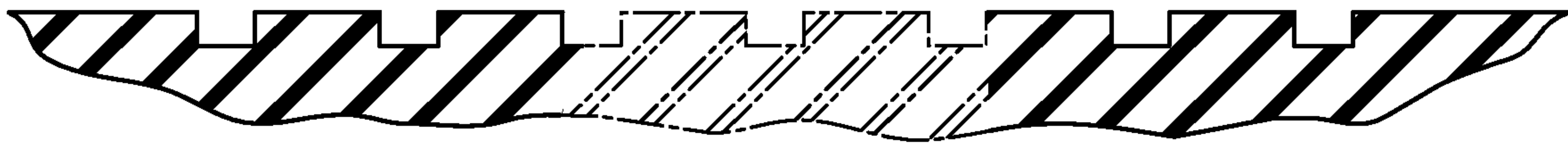


FIG. 4



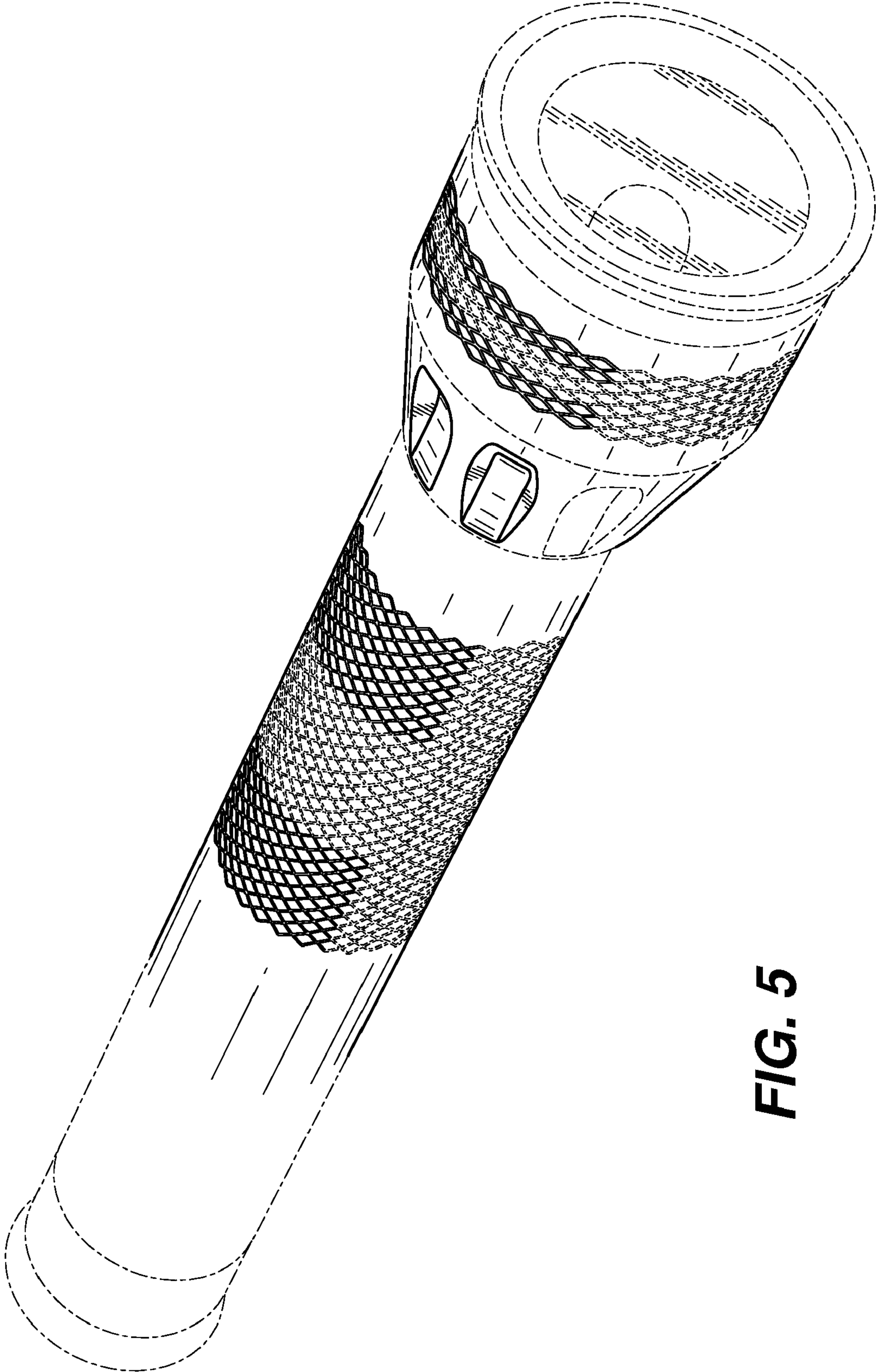


FIG. 5

FIG. 6

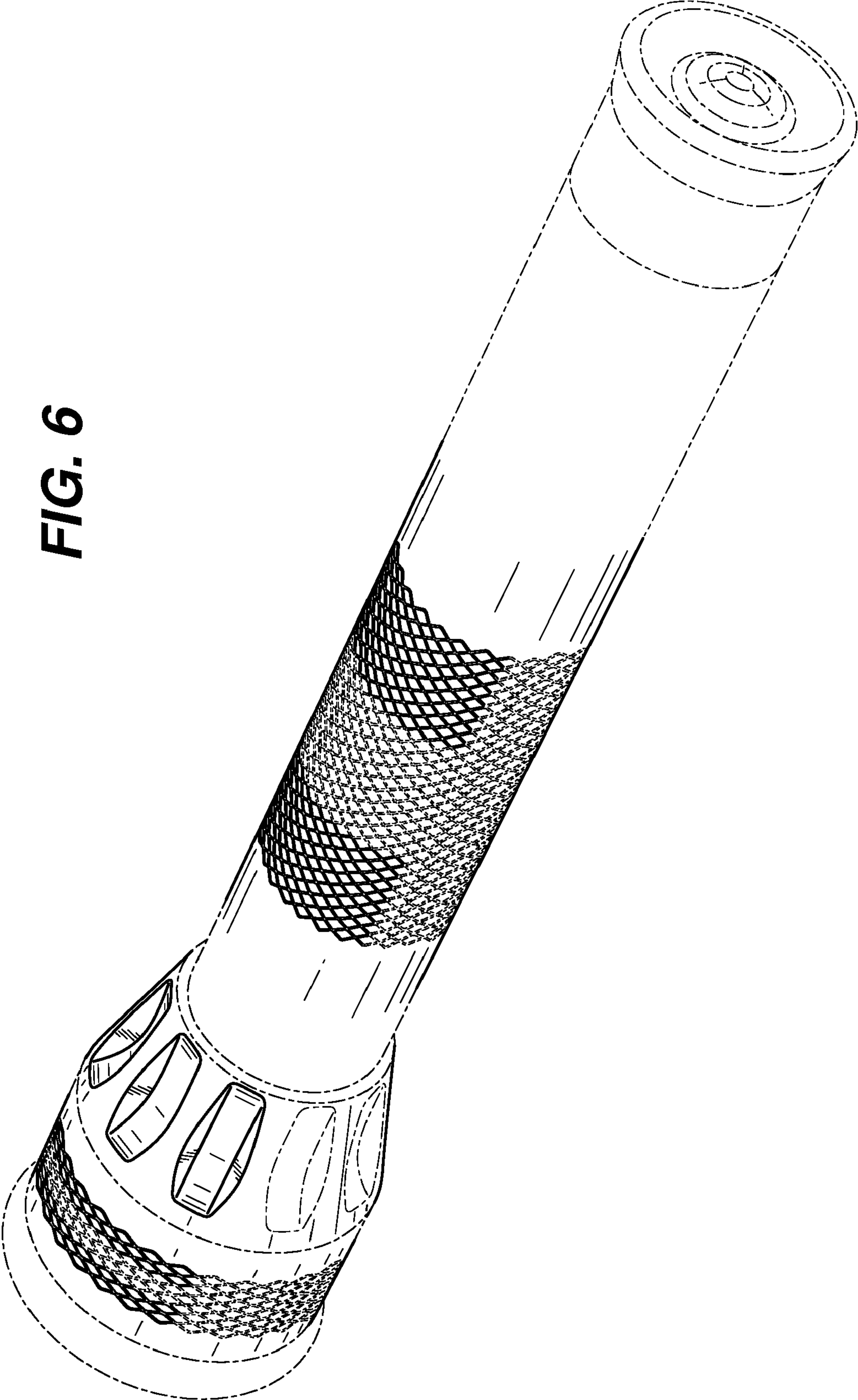


FIG. 7

