



US00D608030S

(12) **United States Design Patent**  
**Hsu**

(10) **Patent No.:** **US D608,030 S**

(45) **Date of Patent:** **\*\* Jan. 12, 2010**

(54) **LED LAMP**

D573,272 S \* 7/2008 Handsaker ..... D26/25  
D601,280 S \* 9/2009 Hsu ..... D26/3

(75) Inventor: **Chi-Yuan Hsu**, 2F., No. 23, Wucyuan Rd., Wugu Township, Taipei County 248 (TW)

\* cited by examiner

(73) Assignees: **Chi-Yuan Hsu**, Taipei County (TW); **iLEDM Photoelectronics, Inc.**, Taipei County (TW)

*Primary Examiner*—Marcus A Jackson  
(74) *Attorney, Agent, or Firm*—Banger Shia

(\*\*) Term: **14 Years**

(57) **CLAIM**

(21) Appl. No.: **29/325,164**

The ornamental design for a LED lamp, as shown and described.

(22) Filed: **Sep. 26, 2008**

**DESCRIPTION**

(51) **LOC (9) Cl.** ..... **26-04**

FIG. 1 is a perspective view of a LED lamp showing my new design;

(52) **U.S. Cl.** ..... **D26/3**

FIG. 2 is a front elevational view thereof;

(58) **Field of Classification Search** ..... D26/1-4;

FIG. 3 is a rear elevational view thereof;

313/313, 315, 316, 317, 318, 493; 315/52,

FIG. 4 is a left side elevational view thereof;

315/53, 56, 57, 58

FIG. 5 is a right side elevational view thereof;

See application file for complete search history.

FIG. 6 is a top plan view thereof; and,

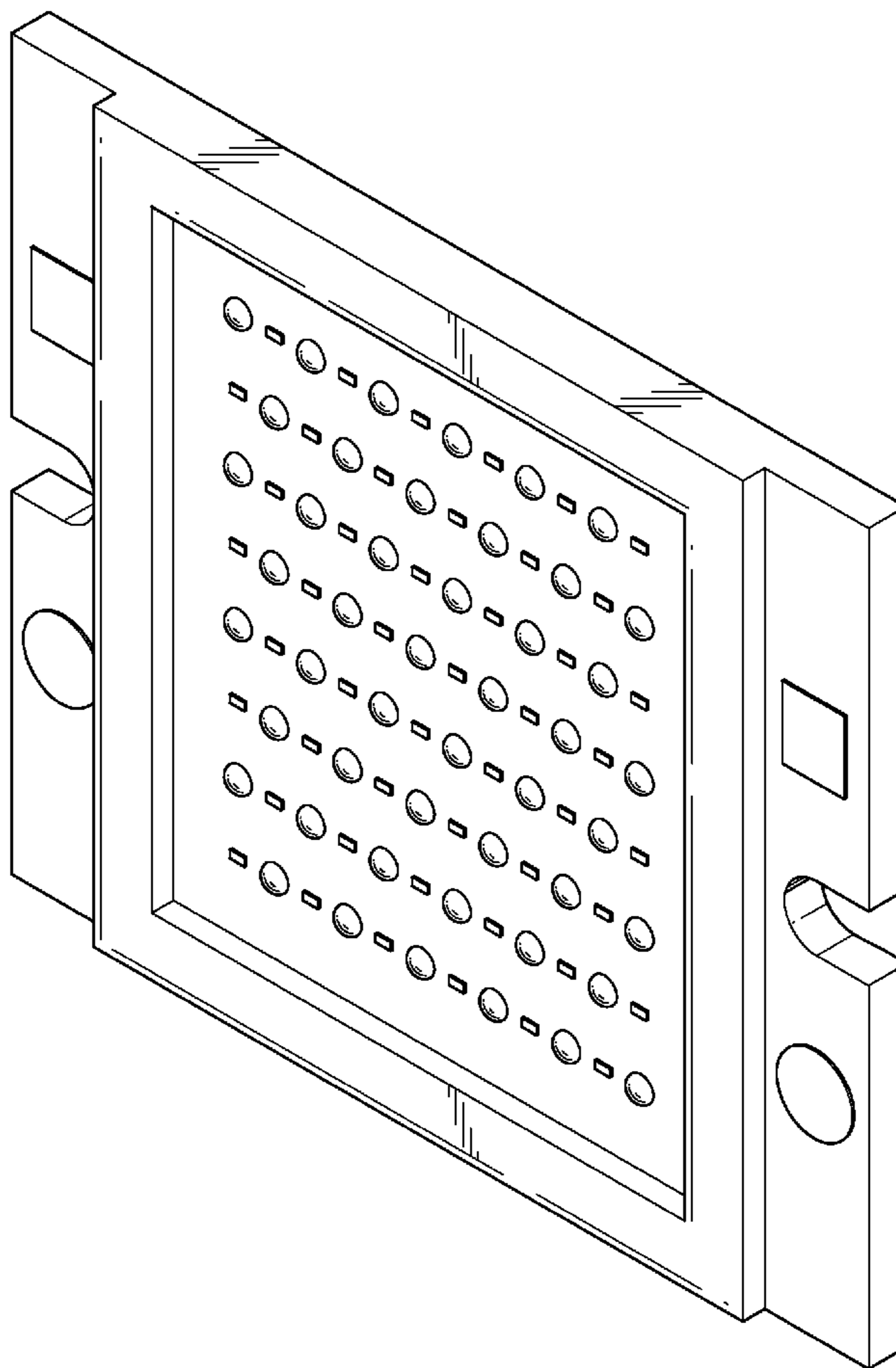
FIG. 7 is a bottom plan view thereof.

(56) **References Cited**

**U.S. PATENT DOCUMENTS**

D546,985 S \* 7/2007 Hoshikawa et al. .... D26/25  
D550,869 S \* 9/2007 Hoshikawa et al. .... D26/25

**1 Claim, 5 Drawing Sheets**



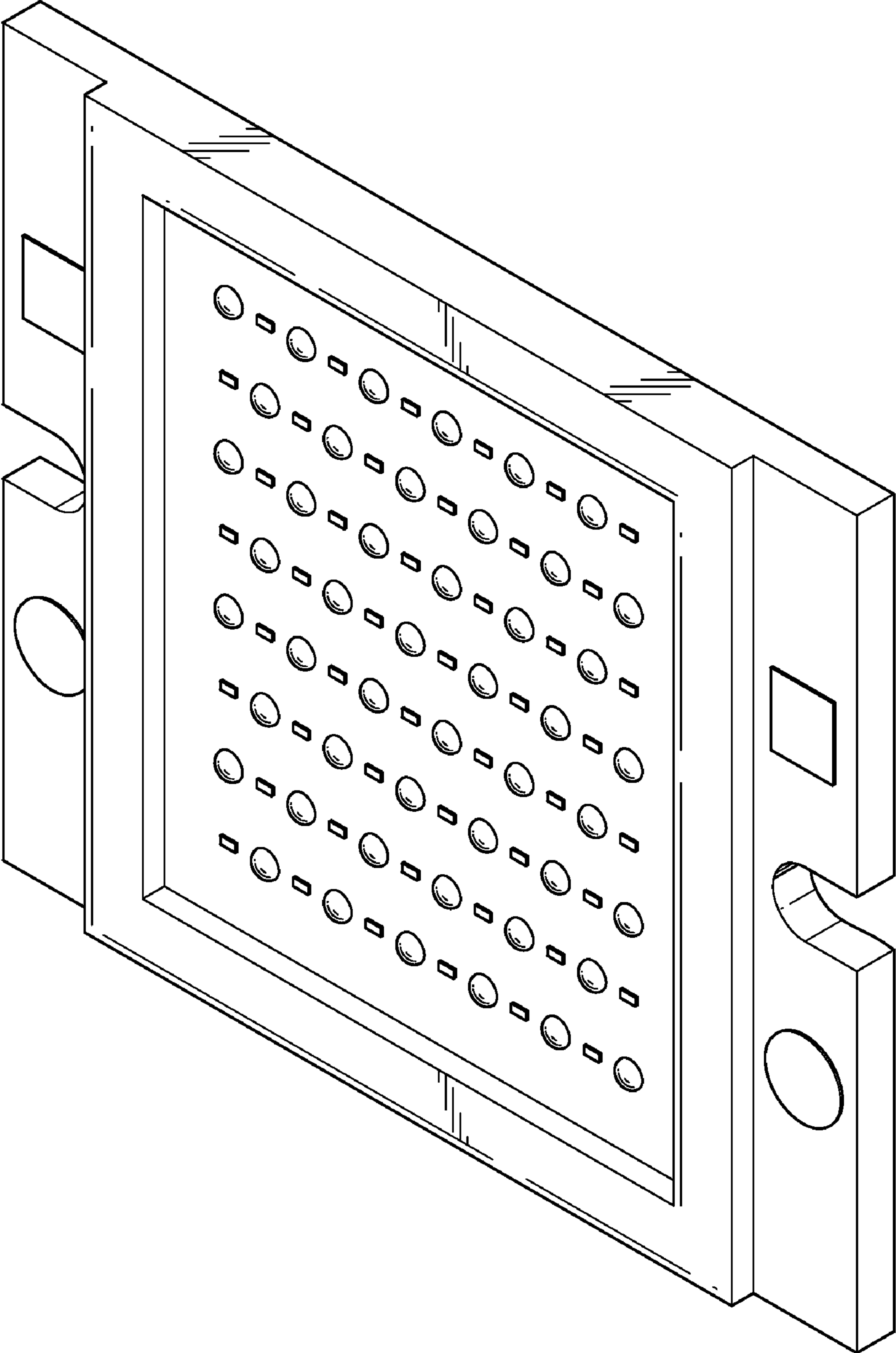


FIG. 1

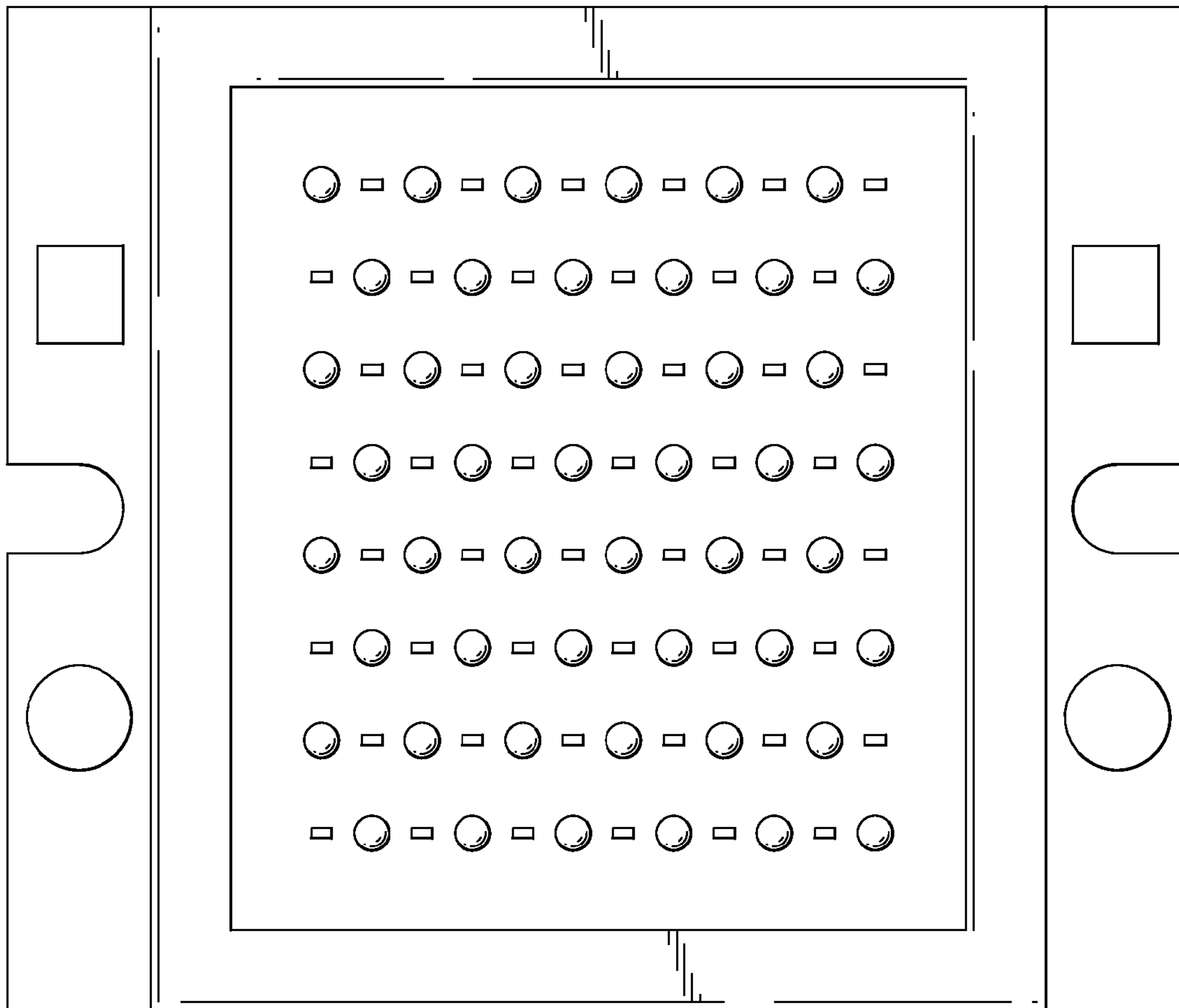


FIG. 2

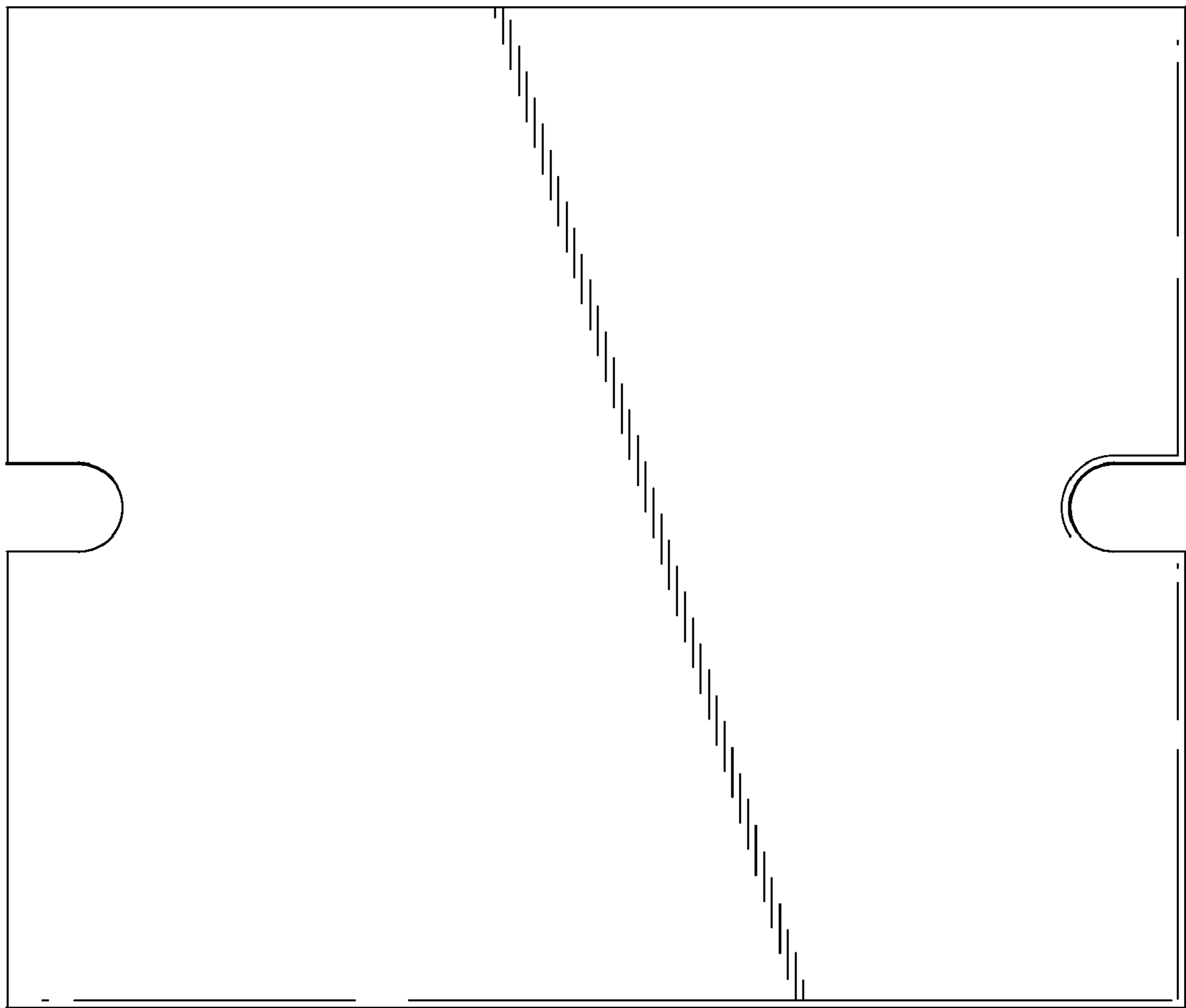


FIG. 3

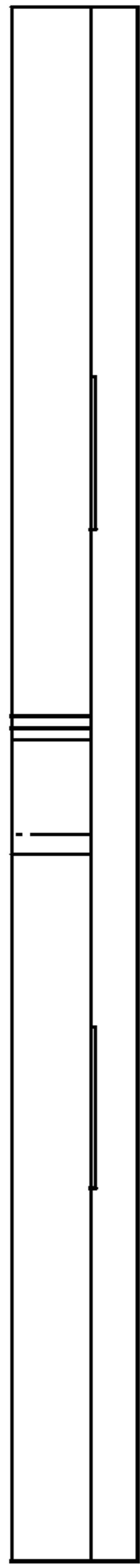


FIG. 4



FIG. 5



FIG. 6

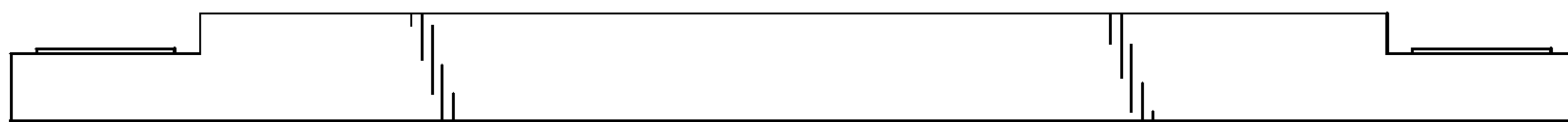


FIG. 7