



US00D608018S

(12) **United States Design Patent**  
**Stimpson et al.**

(10) **Patent No.:** **US D608,018 S**  
(45) **Date of Patent:** **\*\* Jan. 12, 2010**

(54) **MODULAR HEAVY DUTY GRAB RAIL**

D486,583 S 2/2004 Self et al.  
D491,672 S \* 6/2004 Self et al. .... D25/41  
2003/0110716 A1 6/2003 Hansen

(75) Inventors: **Robert William Stimpson**, Douglas  
(GB); **Yanchun Wang**, Ballasalla (GB);  
**Mark Ian Luxton**, Onchan (GB)

(73) Assignee: **DLP Limited**, Braddan (IM)

(\*\*) Term: **14 Years**

(21) Appl. No.: **29/334,061**

(22) Filed: **Mar. 19, 2009**

**Related U.S. Application Data**

(62) Division of application No. 29/283,882, filed on Aug.  
27, 2007, now Pat. No. Des. 591,427.

**Foreign Application Priority Data**

Mar. 15, 2007 (EP) ..... 000692249

(51) **LOC (9) Cl.** ..... **25-02**

(52) **U.S. Cl.** ..... **D25/41**

(58) **Field of Classification Search** ..... D25/41,  
D25/38; D6/533; 256/17, 59; 182/113,  
182/206

See application file for complete search history.

(56) **References Cited**

**U.S. PATENT DOCUMENTS**

3,494,596 A \* 2/1970 Bellinson et al. .... D25/41  
5,288,048 A 2/1994 Shreiner

\* cited by examiner

*Primary Examiner*—Doris Clark

(74) *Attorney, Agent, or Firm*—Fleit Gibbons Gutman  
Bongini & Bianco PL; Martin Fliet; Paul D. Bianco

(57) **CLAIM**

The ornamental design for a modular heavy-duty grab rail, as  
shown and described.

**DESCRIPTION**

FIG. 1 is a perspective view of a modular heavy-duty grab rail,  
showing our new design;

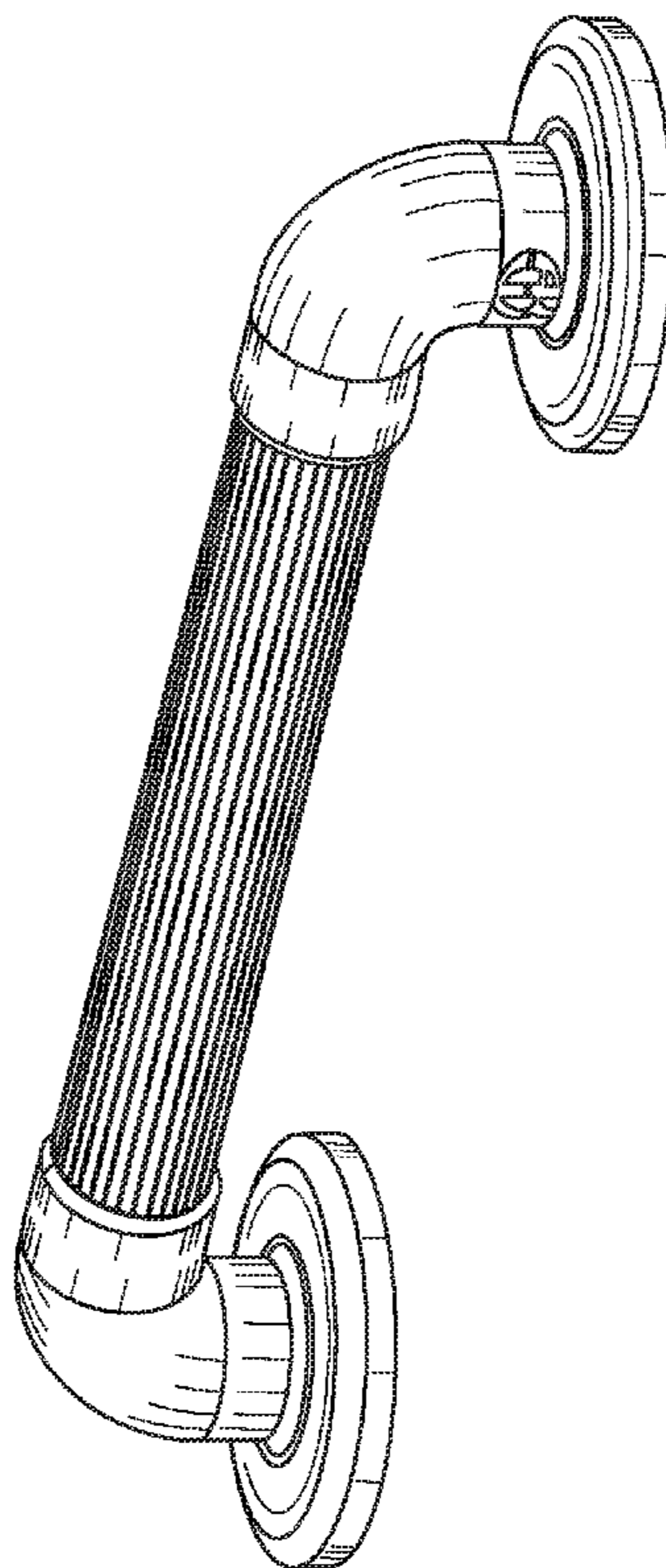
FIG. 2 is an elevational view from one end of an end mounting  
bracket of the modular heavy-duty grab rail, as shown in FIG.  
1;

FIG. 3 is a perspective view of the end mounting bracket  
shown in FIG. 2;

FIG. 4 is a perspective view of the rail of the new design of  
modular heavy-duty grab rail; and,

FIG. 5 is a perspective view of a cover for the flange of each  
mounting bracket.

**1 Claim, 5 Drawing Sheets**



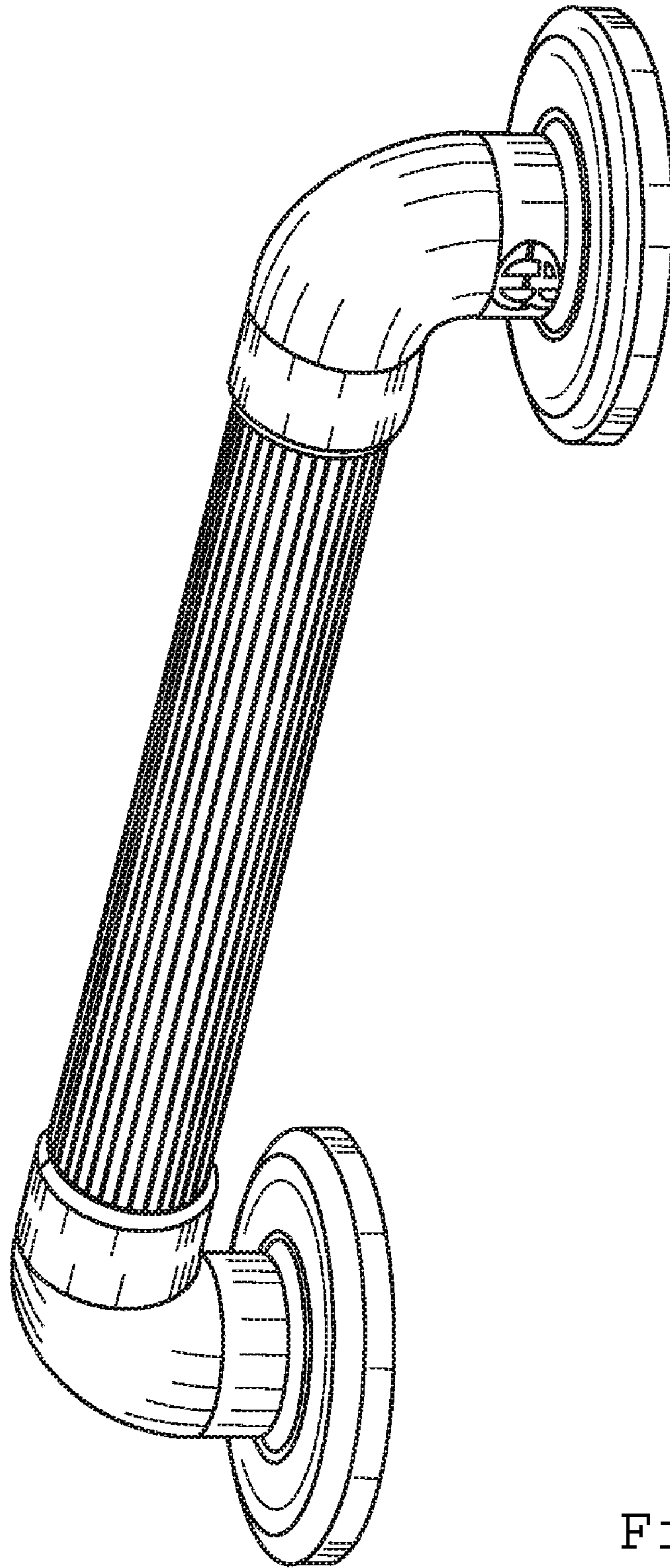


Fig. 1

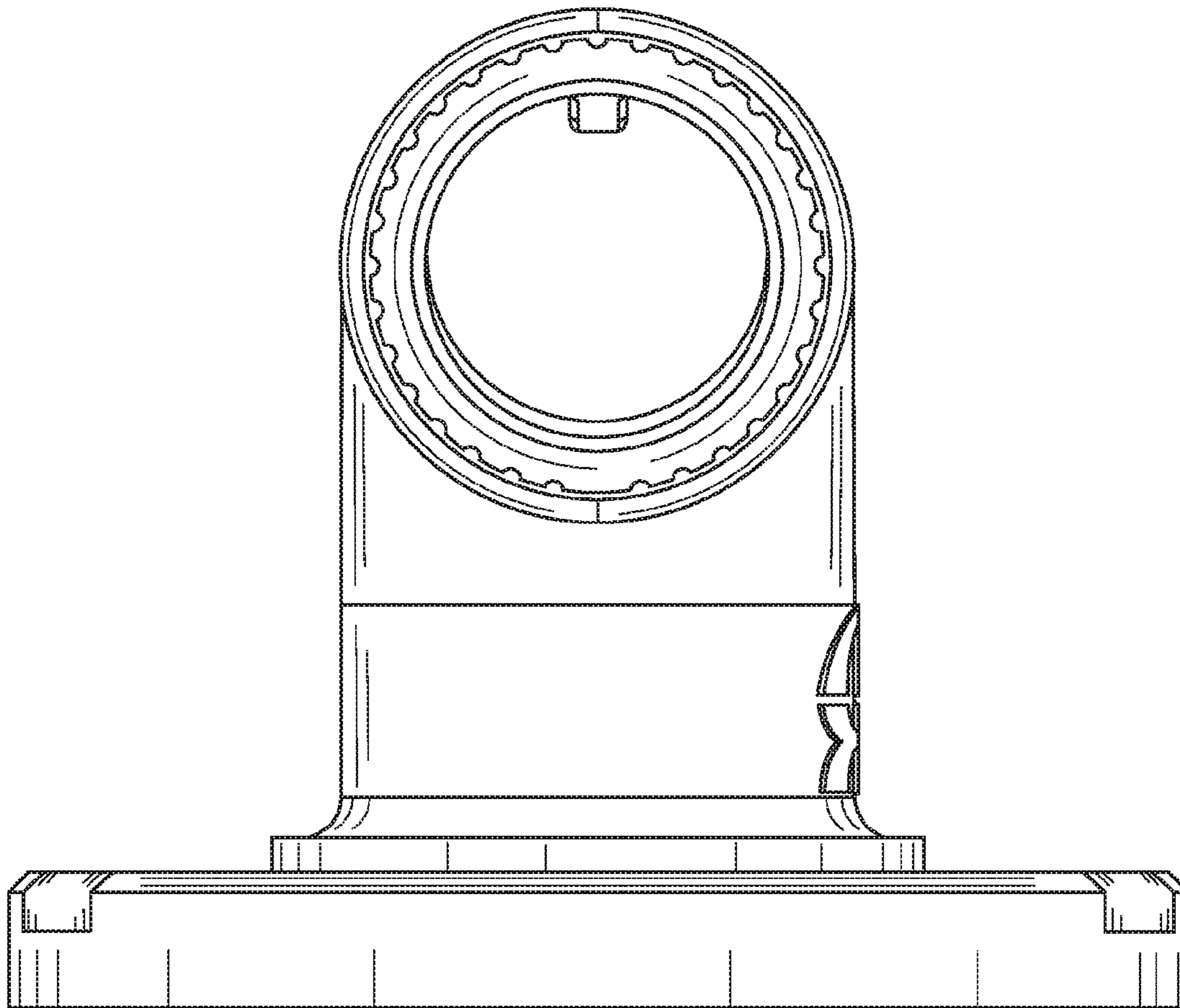


Fig. 2

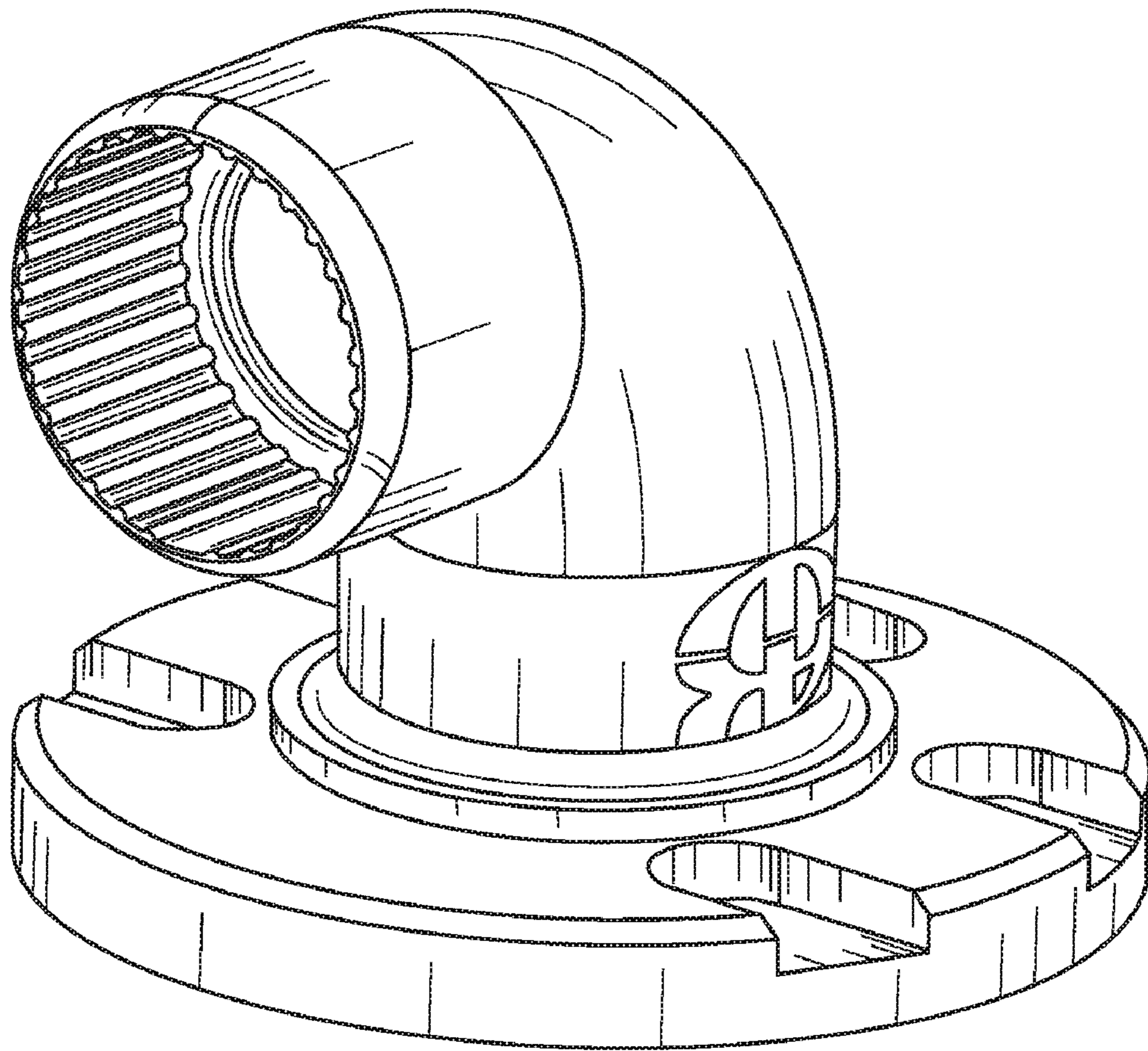


Fig. 3

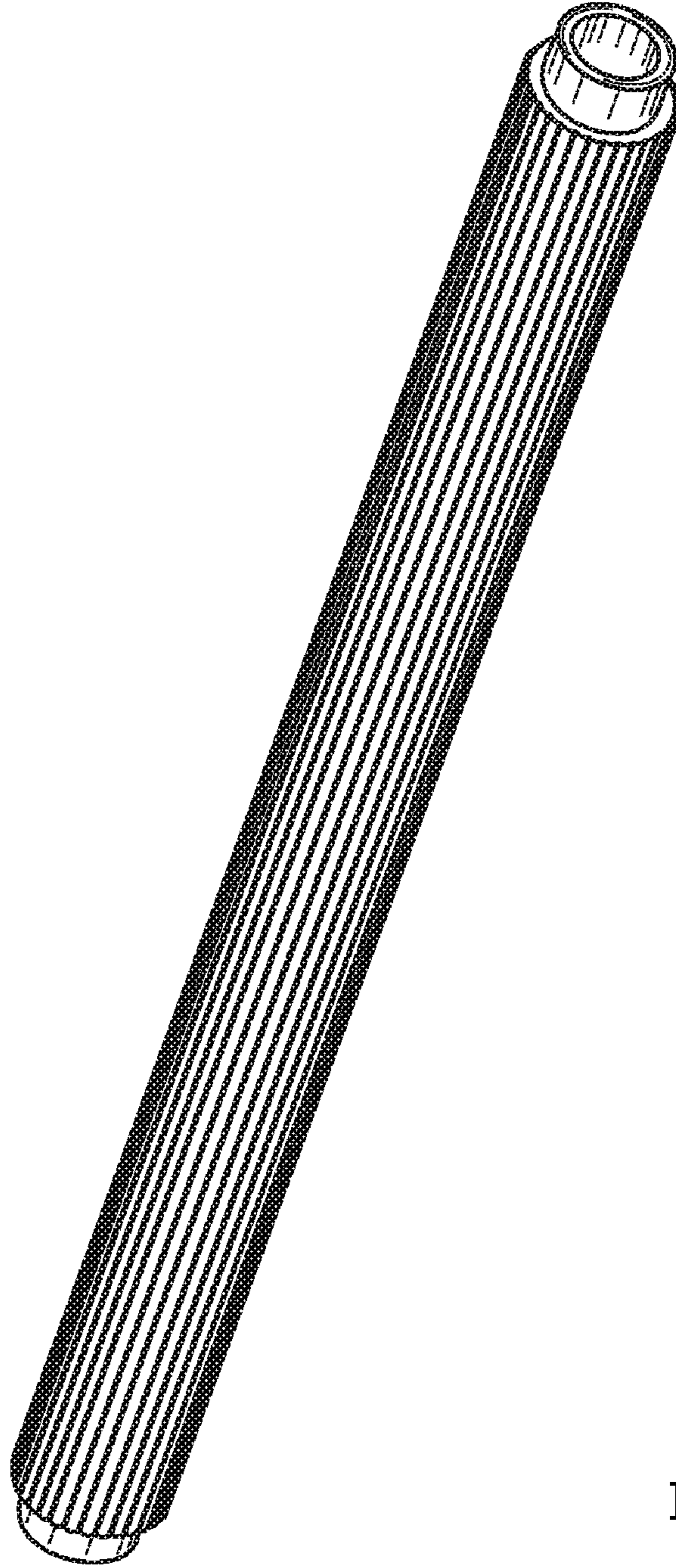


Fig. 4

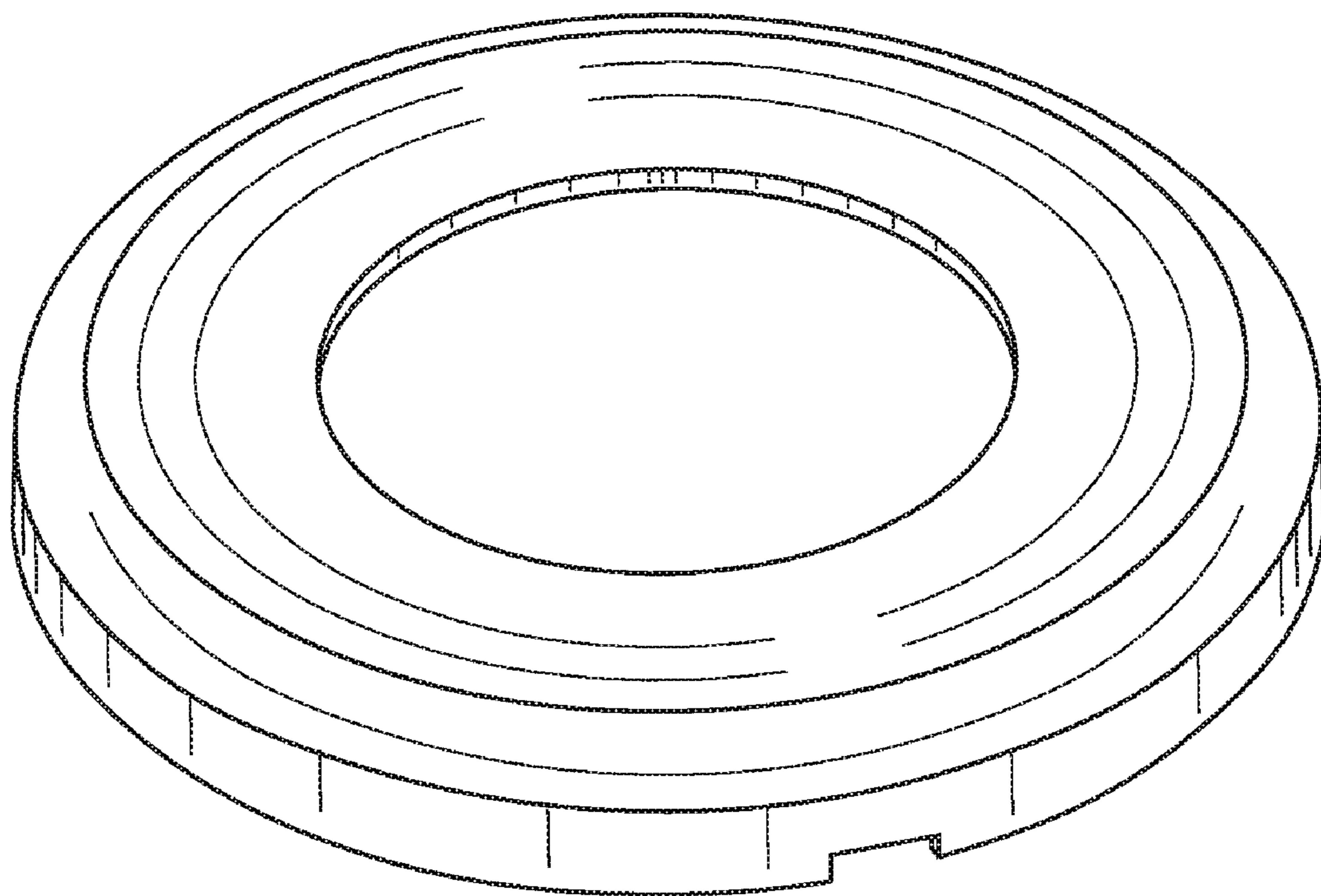


Fig. 5