



US00D608017S

(12) **United States Design Patent**
Brown

(10) **Patent No.:** **US D608,017 S**

(45) **Date of Patent:** **** Jan. 12, 2010**

(54) **PLASTIC MEDIA FILLED AIRPORT BARRIER**

D462,126 S * 8/2002 Englund D25/38

* cited by examiner

(76) Inventor: **James C Brown**, 416 Pierview Way,
Boiling Springs, SC (US) 29316

Primary Examiner—Doris Clark

(**) Term: **14 Years**

(57) **CLAIM**

(21) Appl. No.: **29/313,655**

The ornamental design of the plastic media filled airport barrier, as shown and described.

(22) Filed: **Jan. 30, 2009**

DESCRIPTION

(51) **LOC (9) Cl.** **25-02**

FIG. 1 is a top front perspective view of the plastic media filled airport barrier.

(52) **U.S. Cl.** **D25/38**

FIG. 2 is a front elevation view thereof.

(58) **Field of Classification Search** D25/38,
D25/58, 138; 256/13.1, 14, 19; 404/6

FIG. 3 is a rear elevation view thereof.

FIG. 4 is a top plan view thereof.

See application file for complete search history.

FIG. 5 is a bottom plan view thereof.

FIG. 6 is a left end view thereof.

(56) **References Cited**

U.S. PATENT DOCUMENTS

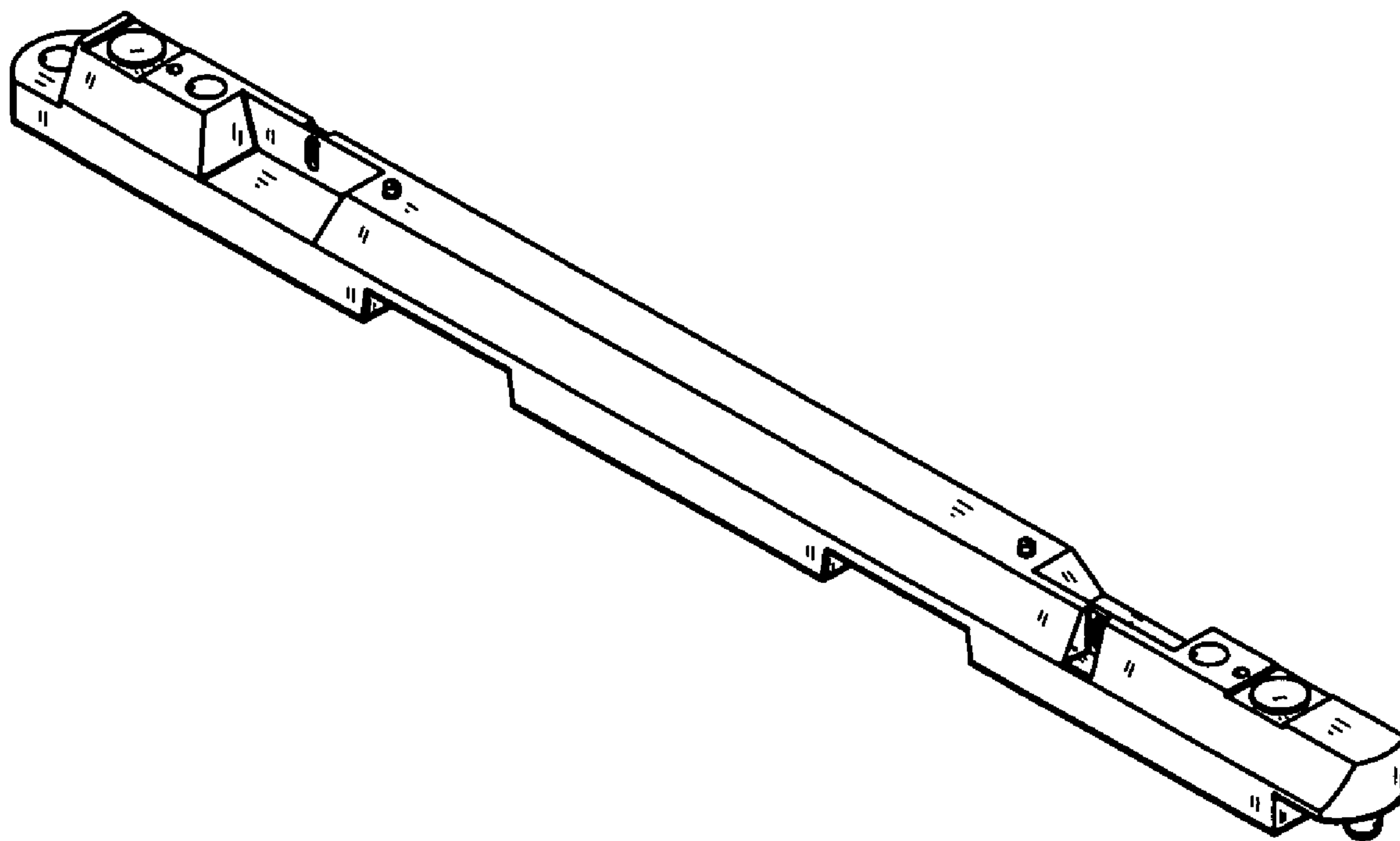
5,882,140 A * 3/1999 Yodock et al. 404/6

FIG. 7 is a right end view thereof; and,

6,203,242 B1 * 3/2001 Englund 404/6

FIG. 8 is a bottom perspective view thereof.

1 Claim, 2 Drawing Sheets



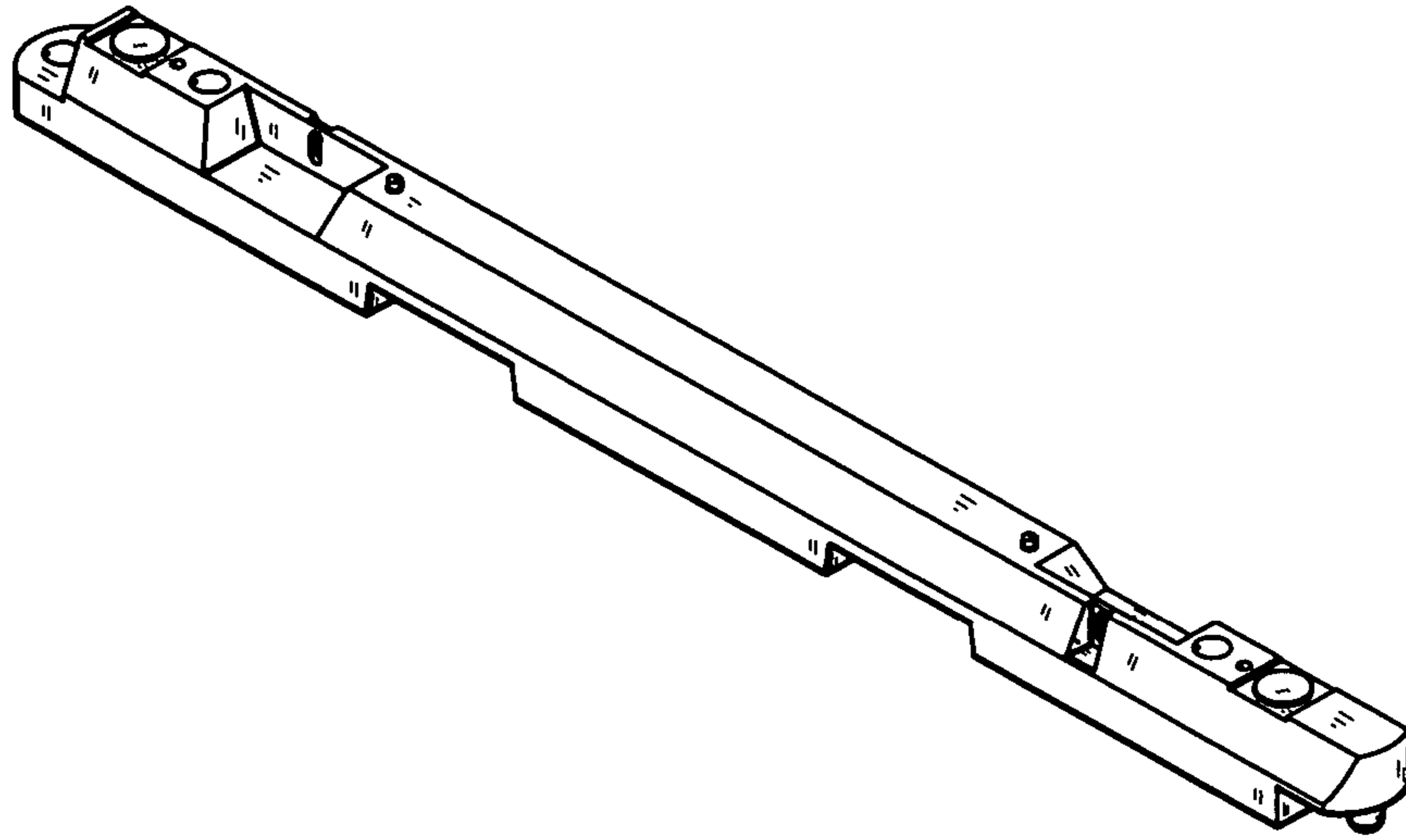


FIG. 1

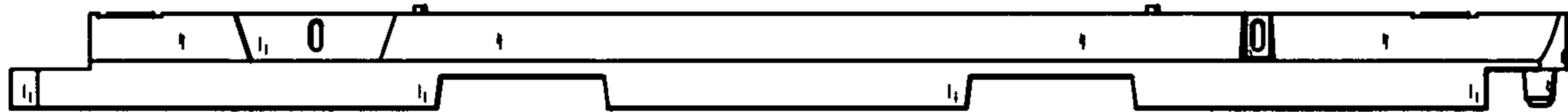


FIG. 2

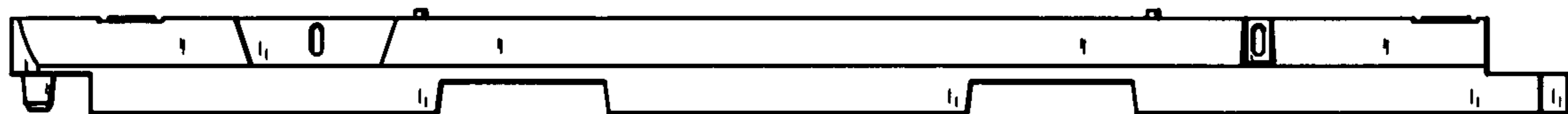


FIG. 3

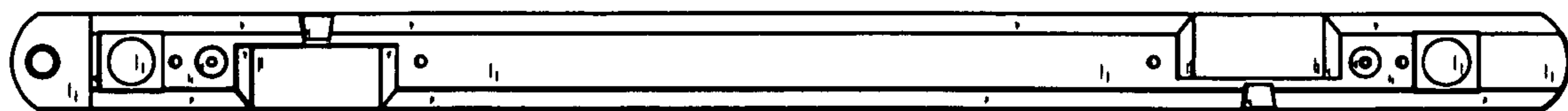


FIG. 4



FIG. 5



FIG. 6



FIG. 7

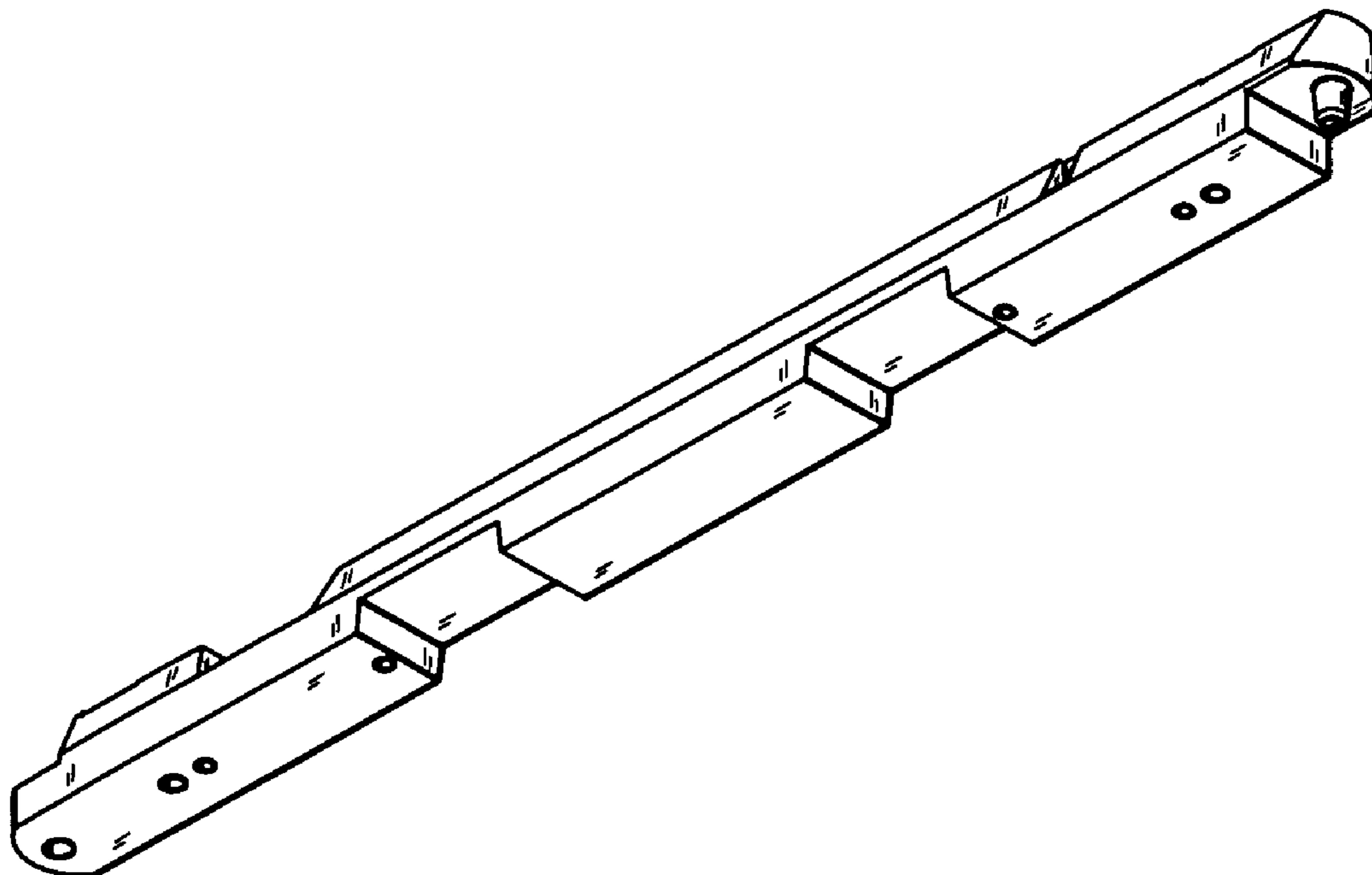


FIG. 8