



US00D608016S

(12) **United States Design Patent**
Grimshaw

(10) **Patent No.:** **US D608,016 S**
(45) **Date of Patent:** **** Jan. 12, 2010**

(54) **BOOTH ASSEMBLY**

D276,296 S * 11/1984 Cooper D6/555
4,558,650 A 12/1985 Berman

(76) Inventor: **Nicholas Grimshaw**, 57 Clerkenwell
Road, London (GB) EC1M 5NG

(Continued)

(**) Term: **14 Years**

FOREIGN PATENT DOCUMENTS

(21) Appl. No.: **29/292,745**

EP K593702 9/2006

(Continued)

(22) Filed: **Oct. 26, 2007**

OTHER PUBLICATIONS

(30) **Foreign Application Priority Data**

U.S. Appl. No. 29/285,194, filed Mar. 22, 2007, Miranda, Advertising
Panel Assembly.

Apr. 27, 2007 (EM) 000715271

(Continued)

(51) **LOC (9) Cl.** **25-03**

(52) **U.S. Cl.** **D25/16**

(58) **Field of Classification Search** D25/1,
D25/15; D20/10, 39, 41; 52/36.1-36.2,
52/79.1; D6/421

Primary Examiner—T. Chase Nelson
Assistant Examiner—Kathleen M Sims
(74) *Attorney, Agent, or Firm*—Kenyon & Kenyon LLP

See application file for complete search history.

(57) **CLAIM**

(56) **References Cited**

The ornamental design for a booth assembly, as shown and
described.

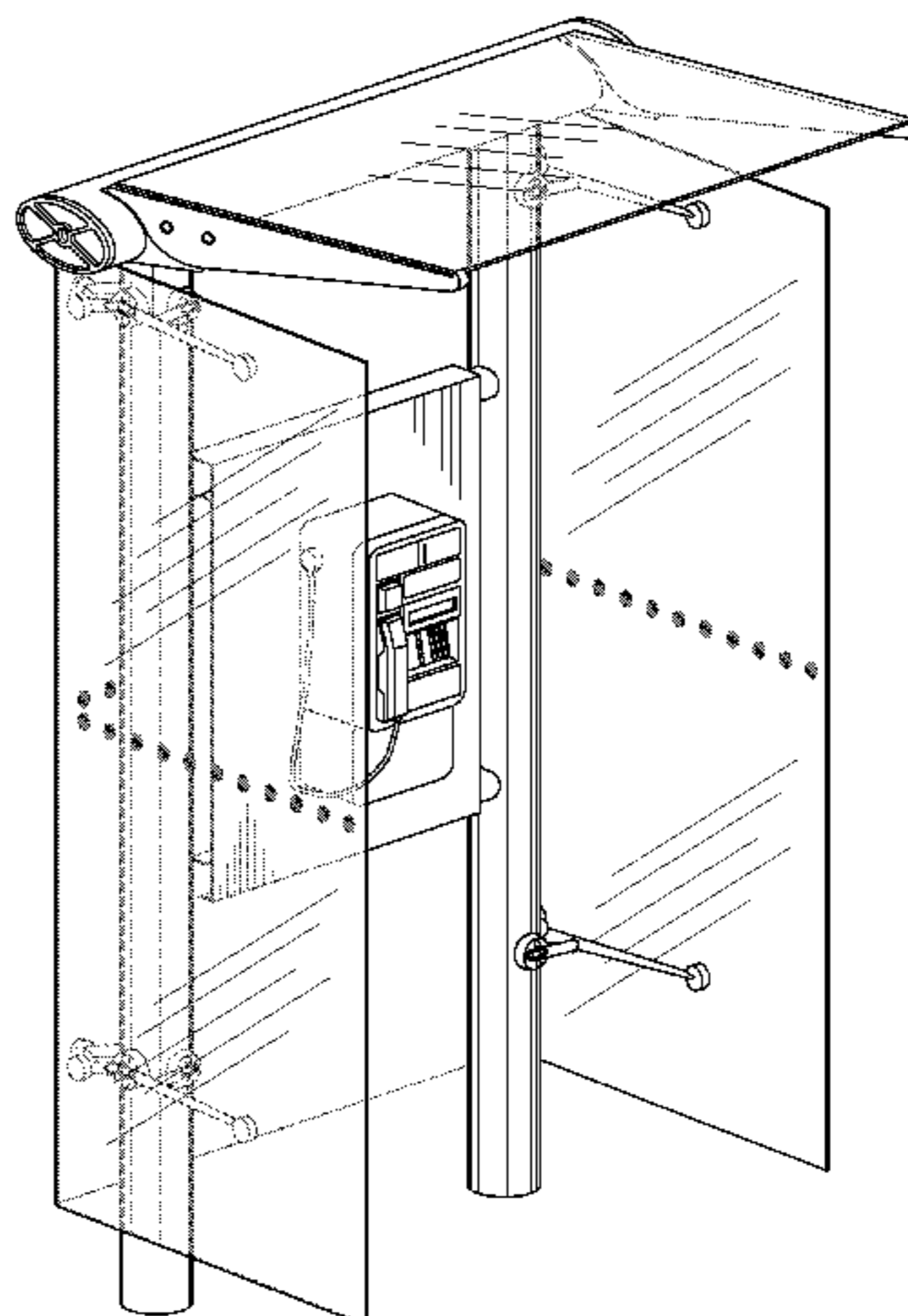
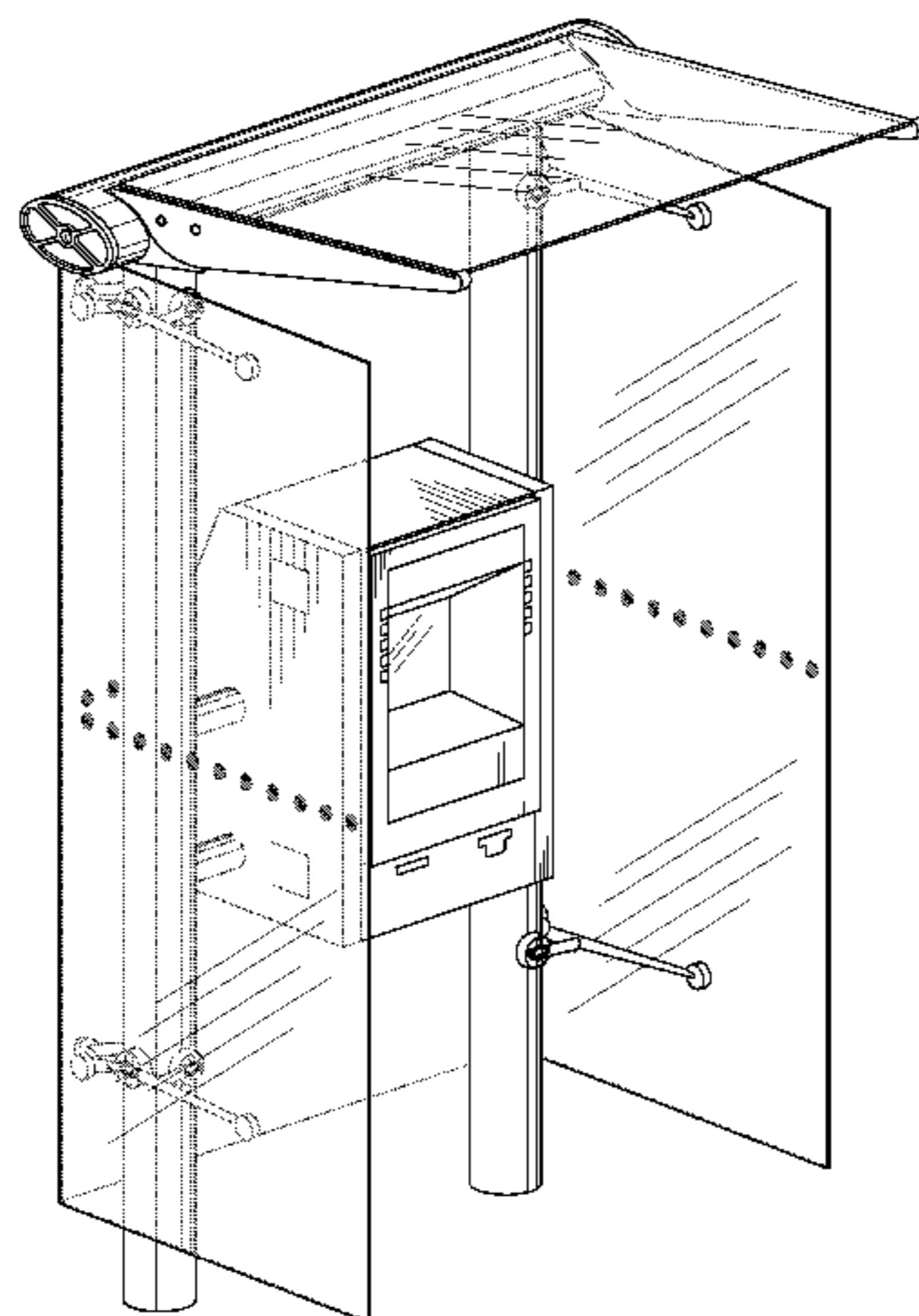
U.S. PATENT DOCUMENTS

DESCRIPTION

D45,299 S	2/1914	Hammond	
D47,242 S	4/1915	Cusack	
1,470,522 A	10/1923	Coyle	
D74,852 S	4/1928	Browne et al.	
D77,528 S	1/1929	Brumbaugh	
D103,937 S *	4/1937	Ianelli D25/16
D103,954 S	4/1937	Reynolds	
D195,455 S	6/1963	Ryan	
D202,866 S	11/1965	Handley	
D227,599 S	7/1973	Wisgin	
D232,222 S *	7/1974	Bartley et al. D6/421
D233,087 S	10/1974	Martin	
D239,576 S	4/1976	Casparro	
D240,169 S	6/1976	Summey	
D241,747 S	10/1976	King	
4,018,016 A	4/1977	Zale	
D244,455 S *	5/1977	Crump et al. D25/16
D244,694 S	6/1977	McClure	
D257,416 S *	10/1980	King, Sr. D25/16
D261,682 S	11/1981	Hoover	
D275,969 S	10/1984	Bowers	

FIG. 1 is a front perspective view of a first embodiment of a
booth assembly showing my new design.
FIG. 2 is a front view thereof.
FIG. 3 is a left side view thereof.
FIG. 4 is a top view thereof.
FIG. 5 is a right side view thereof.
FIG. 6 is a back side view thereof.
FIG. 7 is a front perspective view of a second embodiment of
a booth assembly showing my new design.
FIG. 8 is a front view thereof.
FIG. 9 is a left side view thereof.
FIG. 10 is a top view thereof.
FIG. 11 is a right side view thereof; and,
FIG. 12 is a back side view thereof.

1 Claim, 12 Drawing Sheets



US D608,016 S

U.S. PATENT DOCUMENTS

D285,810	S	9/1986	Glasener	
D286,817	S	11/1986	Zanuso	
D286,829	S	11/1986	Yeranossian	
D288,441	S	2/1987	Lalonde	
D294,365	S	2/1988	Nishibori et al.	
D295,193	S	4/1988	Visocky et al.	
D304,082	S	10/1989	Harding	
D305,689	S	* 1/1990	Lerch	D25/16
D313,631	S	1/1991	White	
D317,681	S	6/1991	Stewart et al.	
5,029,339	A	* 7/1991	Caron	379/453
D324,701	S	3/1992	Capps	
D330,568	S	10/1992	Roberts et al.	
D330,919	S	11/1992	Von Canal	
D334,775	S	4/1993	Foster	
D336,390	S	* 6/1993	Nichols et al.	D6/421
D338,073	S	8/1993	Wall	
D347,025	S	5/1994	Asselin	
D349,578	S	8/1994	Tagg	
D356,601	S	3/1995	Arakaki et al.	
D360,471	S	7/1995	Tagg	
D366,158	S	1/1996	Wirth	
D375,979	S	11/1996	Adams	
5,584,547	A	12/1996	Trulaske, Sr.	
D378,301	S	3/1997	Leksell	
D381,433	S	7/1997	Priestley et al.	
D386,723	S	11/1997	Fujieda	
D387,877	S	12/1997	Caya	
D389,246	S	* 1/1998	Quinn	D25/16
D395,677	S	6/1998	Gongora et al.	
5,798,702	A	8/1998	Okamoto et al.	
D399,973	S	* 10/1998	O'Reilly	D25/16
D401,348	S	* 11/1998	Fabiano	D25/16
D403,434	S	12/1998	Sander	
5,857,537	A	1/1999	Matsumoto et al.	
D407,755	S	4/1999	Isshiki et al.	
D410,697	S	6/1999	Smart	
D413,934	S	9/1999	Kleihues	
D414,721	S	10/1999	Nakamura	
6,039,137	A	3/2000	Schless	
D423,164	S	4/2000	McKeown et al.	
D424,264	S	5/2000	McKeown et al.	
D425,938	S	5/2000	Skog	
D427,242	S	6/2000	Pettesch	
D430,302	S	8/2000	Fleishman	
D432,660	S	10/2000	Caya	
D432,661	S	10/2000	Caya	
D433,455	S	11/2000	Methot	
D436,135	S	1/2001	Emert	
D440,544	S	4/2001	Fischer	
D445,273	S	7/2001	Brown et al.	
6,260,649	B1	7/2001	Carney, Jr.	
D446,821	S	8/2001	Decaux	
D447,183	S	8/2001	Wilmotte	
D448,420	S	9/2001	O'Brien et al.	
D449,076	S	10/2001	Dumouchel	
D452,710	S	1/2002	Ragot	
D452,884	S	1/2002	Metral	
D453,191	S	1/2002	Gentelia et al.	
D453,192	S	1/2002	Gentelia et al.	
D453,574	S	* 2/2002	Ciocchini	D25/16
D454,206	S	* 3/2002	Caya	D25/16
D455,788	S	4/2002	Gentelia et al.	
D455,789	S	4/2002	Schlueter	
6,418,041	B1	7/2002	Kitamura	
D467,561	S	12/2002	Kosciolek	
D472,223	S	3/2003	Wilmotte	
D479,659	S	9/2003	Fleckenstein et al.	
D480,431	S	10/2003	O'Brien et al.	
D483,074	S	12/2003	Strunk et al.	
D486,188	S	2/2004	Norcross et al.	

D489,072	S	4/2004	Nishioka et al.
6,722,068	B2	4/2004	Ohlsson
D491,608	S	6/2004	Strunk et al.
D497,167	S	10/2004	Ozolins et al.
D499,453	S	12/2004	Hornblad
D499,768	S	12/2004	Hornblad
D501,889	S	2/2005	Harris et al.
D502,942	S	3/2005	Penke et al.
6,865,830	B2	3/2005	Gravitt et al.
D507,813	S	7/2005	Gillard
D509,502	S	9/2005	Penke et al.
D512,573	S	12/2005	Koenig
D514,844	S	2/2006	Cravens et al.
D530,880	S	10/2006	Magee et al.
7,156,296	B2	1/2007	Magee et al.
7,165,641	B2	1/2007	Kitamura
D542,849	S	5/2007	Hill et al.
7,237,360	B2	7/2007	Moncho et al.
D555,524	S	11/2007	Jacobsen et al.
D556,264	S	11/2007	Tanaka et al.
D559,577	S	1/2008	Quinn
2008/0078112	A1	4/2008	Basha

FOREIGN PATENT DOCUMENTS

EP	K651435	1/2007
EP	K688270	3/2007
EP	K715248	4/2007
EP	K715255	4/2007
EP	K715263	4/2007
EP	K715271	4/2007
EP	K745567	4/2007
EP	K722111	5/2007
EP	K722152	5/2007
EP	K722178	5/2007
EP	K722194	5/2007
EP	K732177	5/2007
EP	K732185	5/2007
WO	DM/056879	5/2006

OTHER PUBLICATIONS

U.S. Appl. No. 29/285,195, filed Mar. 22, 2007, Giugiaro, Information/Dispenser Station.

U.S. Appl. No. 29/285,196, filed Mar. 22, 2007, Giugiaro, Advertising Panel Assembly.

U.S. Appl. No. 29/285,197, filed Mar. 22, 2007, Miranda, Advertising Panel Assembly.

U.S. Appl. No. 29/285,198, filed Mar. 22, 2007, Guigiaro, Advertising Panel Assembly.

U.S. Appl. No. 29/285,206, filed Mar. 22, 2007, Guigiaro, Information Station.

U.S. Appl. No. 29/289,228, filed Jul. 11, 2007, King et al., Bus Shelter Assembly.

U.S. Appl. No. 29/289,229, filed Jul. 11, 2007, Rogers, Bus Shelter Assembly.

U.S. Appl. No. 29/289,243, filed Jul. 11, 2007, Giugiaro, Bus Shelter Assembly.

U.S. Appl. No. 29/289,248, filed Jul. 11, 2007, Rogers, Bus Shelter Assembly.

U.S. Appl. No. 29/289,249, filed Jul. 11, 2007, Pensi, Bus Shelter Assembly.

U.S. Appl. No. 29/286,920, filed May 21, 2007, Giugiaro, Bicycle Assembly.

U.S. Appl. No. 29/291,775, filed Sep. 13, 2007, Piantanida, Information/Advertising Panel Assembly.

U.S. Appl. No. 29/291,776, filed Sep. 13, 2007, Martinez Lapeña et al., Information/Advertising Panel Assembly.

U.S. Appl. No. 29/291,777, filed Sep. 13, 2007, Giugiaro, Information/Advertising Panel Assembly.

U.S. Appl. No. 29/291,778, filed Sep. 13, 2007, Grimshaw, Information/Advertising Panel Assembly.

U.S. Appl. No. 29/291,779, filed Sep. 13, 2007, Giugiaro, Information/Advertising Panel Assembly.

U.S. Appl. No. 29/291,780, filed Sep. 13, 2007, King et al., Information/Advertising Panel Assembly.
U.S. Appl. No. 29/291,781, filed Sep. 13, 2007, Grimshaw, Information/Advertising Panel Assembly.
U.S. Appl. No. 29/291,784, filed Sep. 13, 2007, King et al., Information/Advertising Panel Assembly.
U.S. Appl. No. 29/291,788, filed Sep. 13, 2007, Grimshaw, Information/Advertising Panel Assembly.
U.S. Appl. No. 29/291,789, filed Sep. 13, 2007, Pensi, Information/Advertising Panel Assembly.
U.S. Appl. No. 29/291,790, filed Sep. 13, 2007, Martinez Lapeña et al., Information/Advertising Panel Assembly.
U.S. Appl. No. 29/291,791, filed Sep. 13, 2007, Grimshaw, Advertising Panel Assembly.
U.S. Appl. No. 29/291,797, filed Sep. 13, 2007, Grimshaw, Information/Advertising Panel Assembly.
U.S. Appl. No. 29/291,798, filed Sep. 13, 2007, Rogers, Information/Advertising Panel Assembly.
U.S. Appl. No. 29/291,799, filed Sep. 13, 2007, Rogers, Information/Advertising Panel and/or Seating Assembly.
U.S. Appl. No. 29/291,800, filed Sep. 13, 2007, Beloqui, Information/Advertising Panel Assembly.
U.S. Appl. No. 29/291,801, filed Sep. 13, 2007, Rogers, Information Advertising Panel Assembly.
U.S. Appl. No. 29/291,813, filed Sep. 13, 2007, Piantanida, Information/Advertising Panel Assembly.
U.S. Appl. No. 29/291,814, filed Sep. 13, 2007, King et al., Information/Advertising Panel Assembly.
U.S. Appl. No. 29/291,815, filed Sep. 13, 2007, Grimshaw, Information/Advertising Panel Assembly.

U.S. Appl. No. 29/291,816, filed Sep. 13, 2007, Grimshaw, Information/Advertising Panel Assembly.
U.S. Appl. No. 29/291,817, filed Sep. 13, 2007, Niemeyer, Information/Advertising Panel Assembly.
U.S. Appl. No. 29/291,818, filed Sep. 13, 2007, Grimshaw, Information/Advertising Panel Assembly.
U.S. Appl. No. 29/291,820, filed Sep. 13, 2007, Pensi, Information/Advertising Panel Assembly.
U.S. Appl. No. 29/291,824, filed Sep. 13, 2007, King et al., Information/Advertising Panel Assembly.
U.S. Appl. No. 29/292,582, filed Oct. 16, 2007, Raynaud, Information/Advertising Panel Assembly.
U.S. Appl. No. 29/292,742, filed Oct. 26, 2007, Recycling-Area Assembly.
U.S. Appl. No. 29/292,744, filed Oct. 26, 2007, Bicycle Parking Assembly.
U.S. Appl. No. 29/292,755, filed Oct. 26, 2007, Fence/Railing.
U.S. Appl. No. 29/292,882, filed Oct. 30, 2007, Public Restroom.
U.S. Appl. No. 29/292,901, filed Oct. 30, 2007, Bin Assembly.
U.S. Appl. No. 29/292,902, filed Oct. 30, 2007, Giugiaro, Bollard/Fastening-Post Assembly.
U.S. Appl. No. 29/292,903, filed Oct. 30, 2007, King et al., Recycling Bin.
U.S. Appl. No. 29/292,904, filed Oct. 30, 2007, Pensi et al., Seating Assembly.
U.S. Appl. No. 29/292,905, filed Oct. 30, 2007, News Stand Assembly.
U.S. Appl. No. 29/292,906, filed Oct. 30, 2007, Information/Advertising Panel Assembly.

* cited by examiner

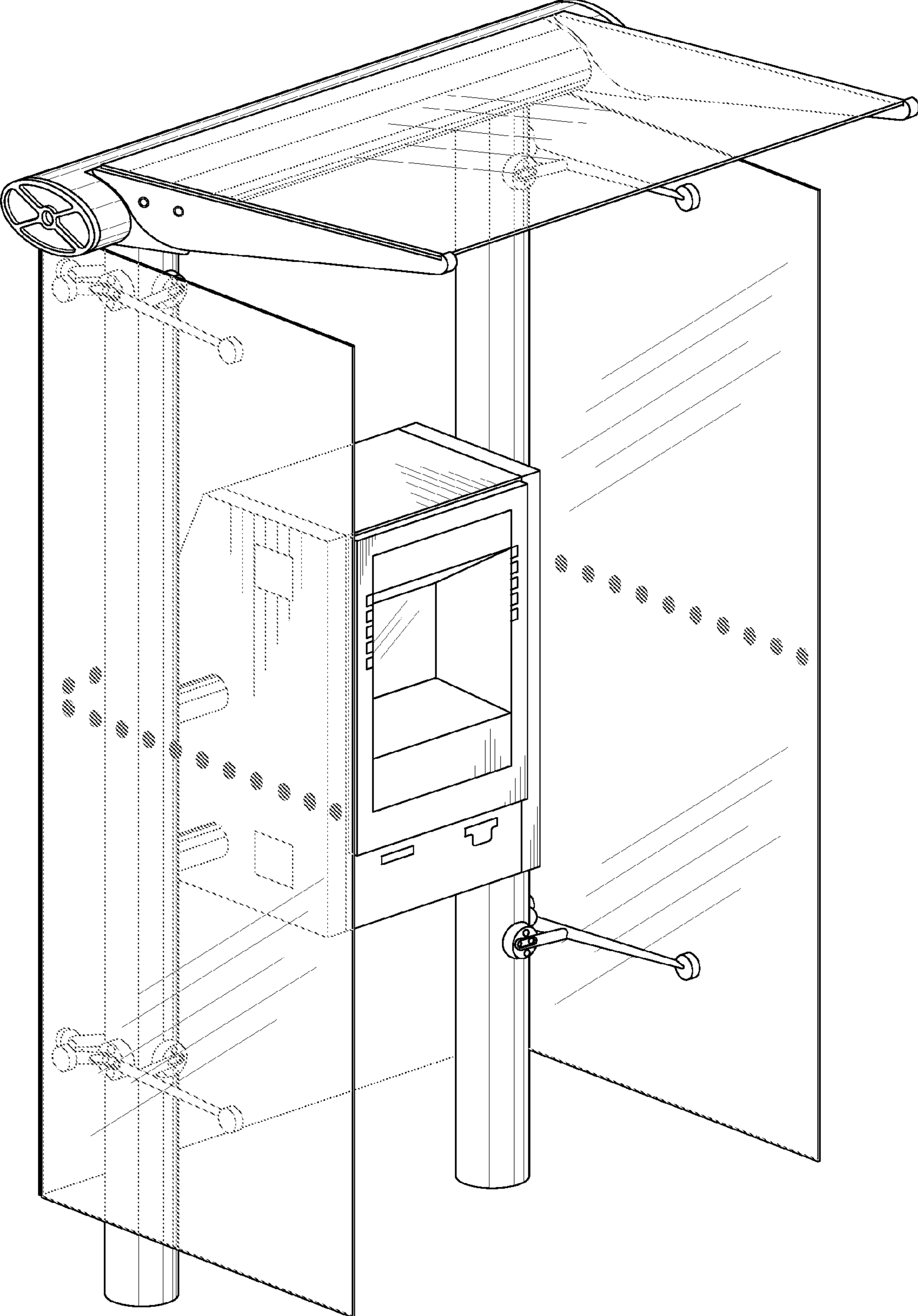


FIG. 1

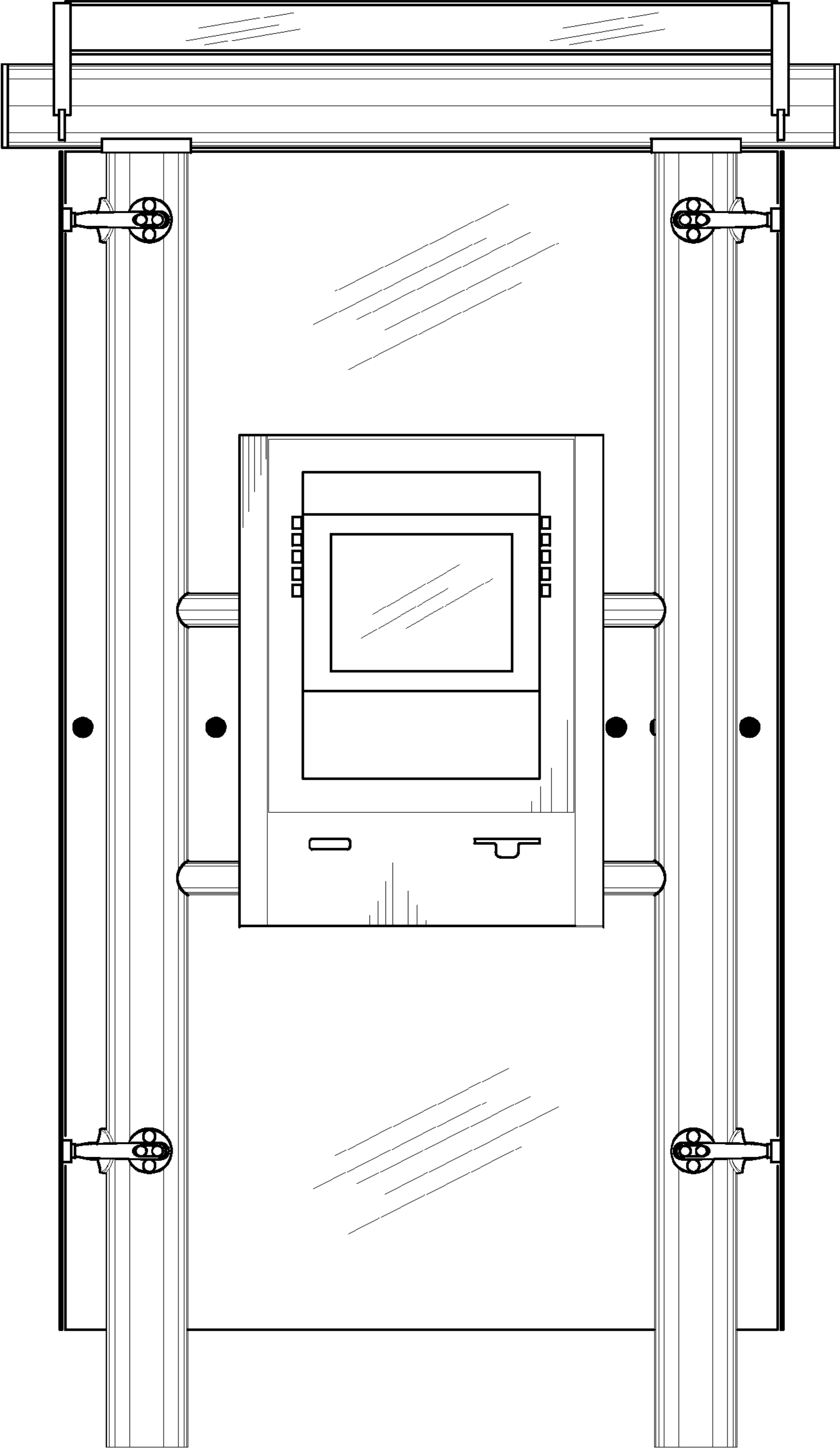


FIG. 2

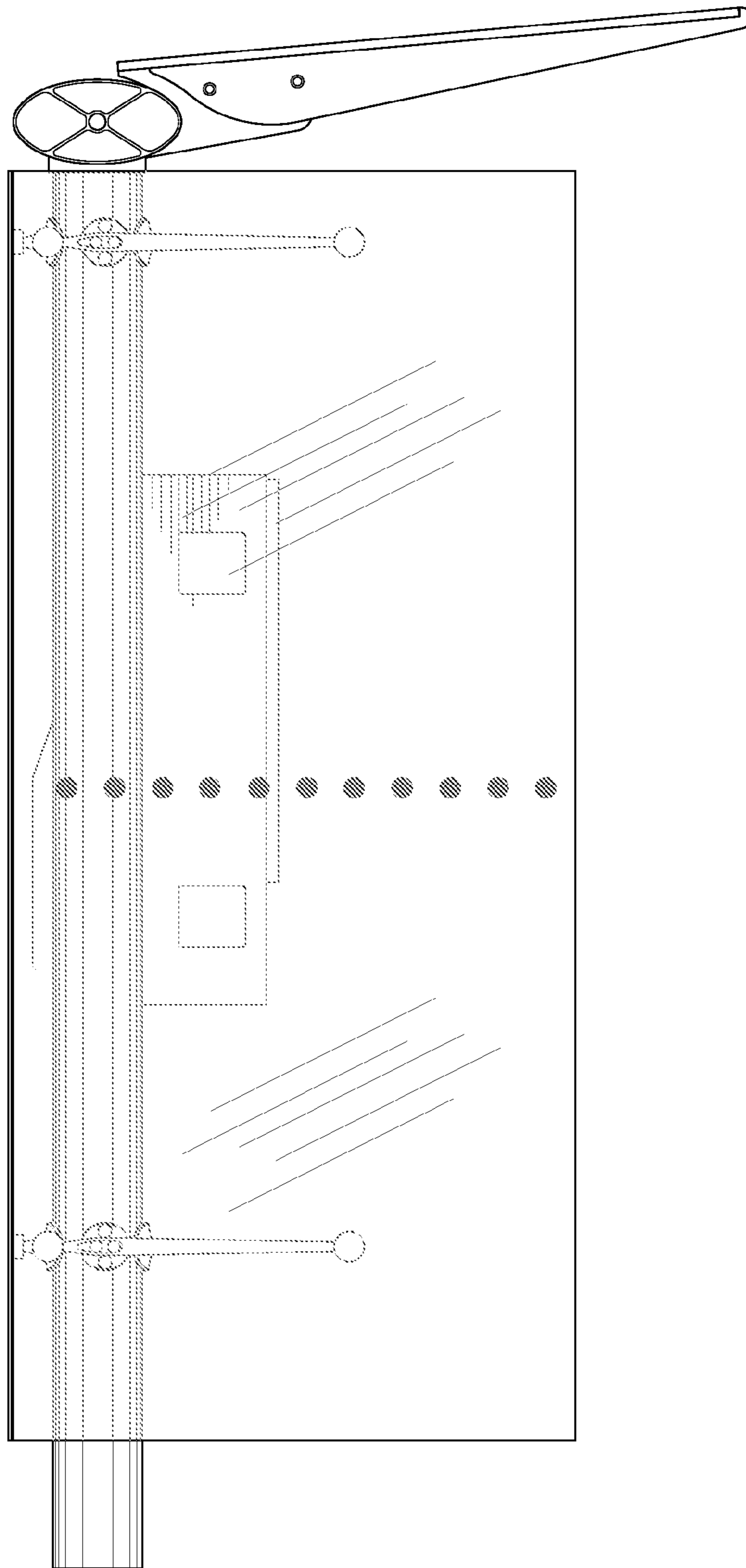


FIG. 3

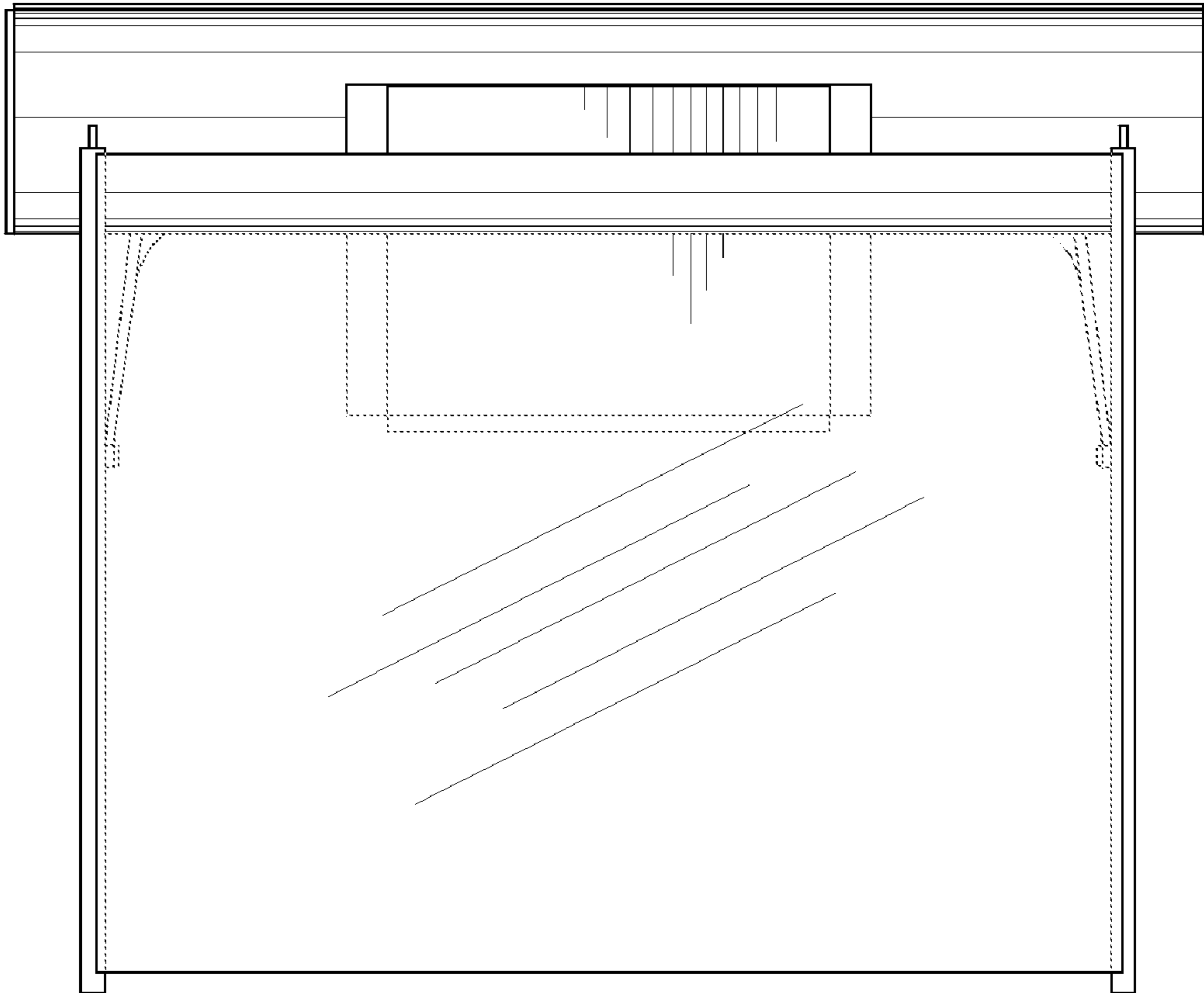


FIG. 4

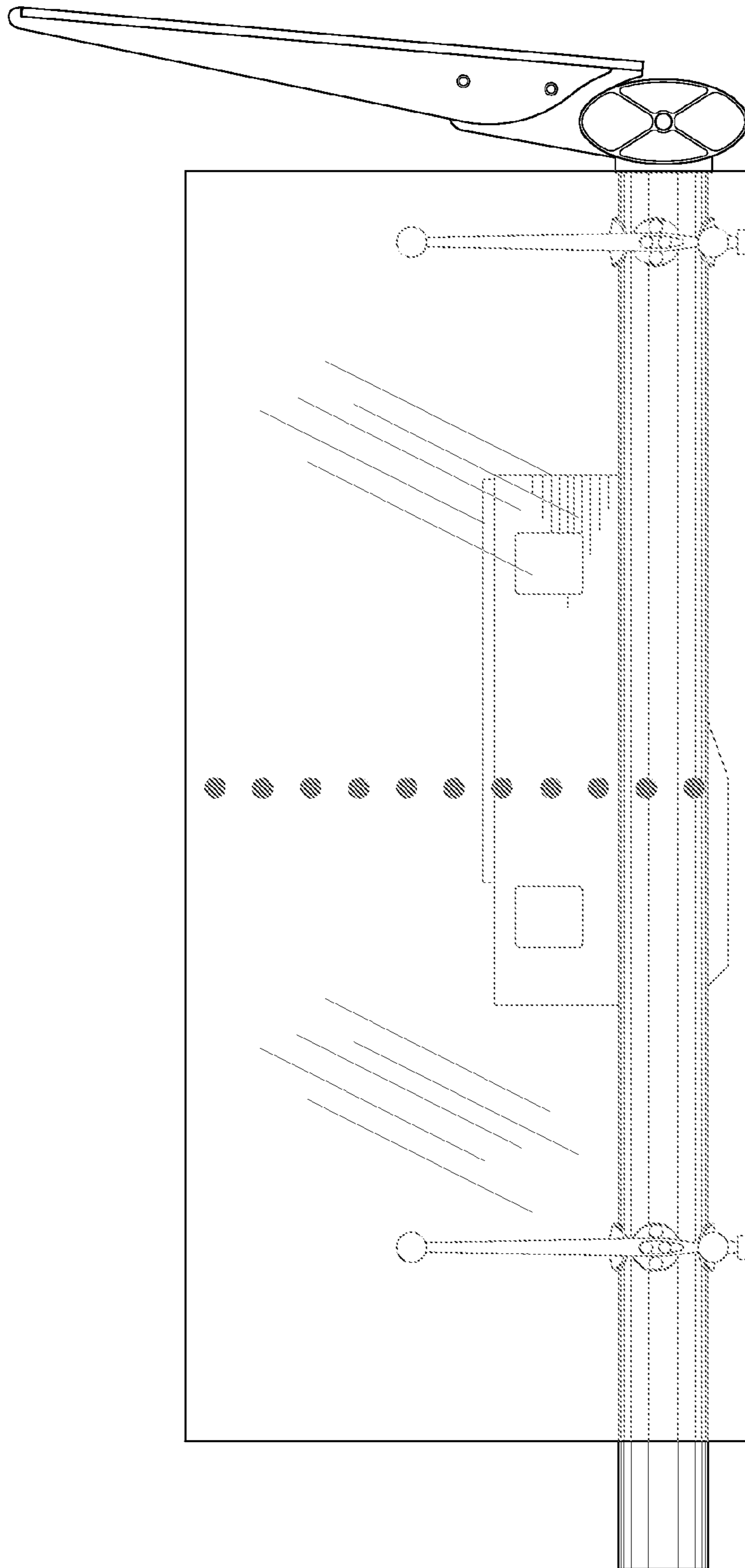


FIG. 5

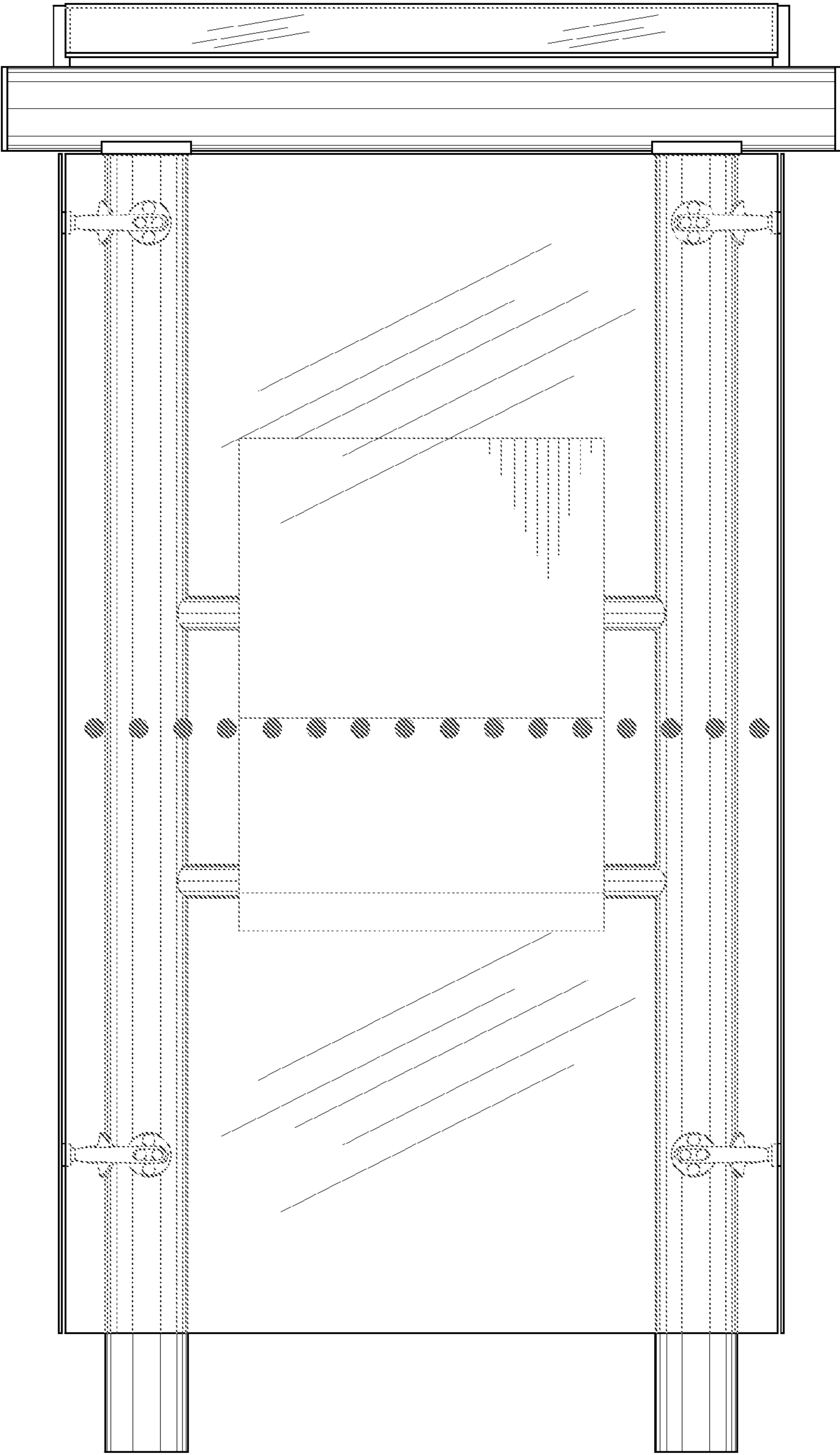


FIG. 6

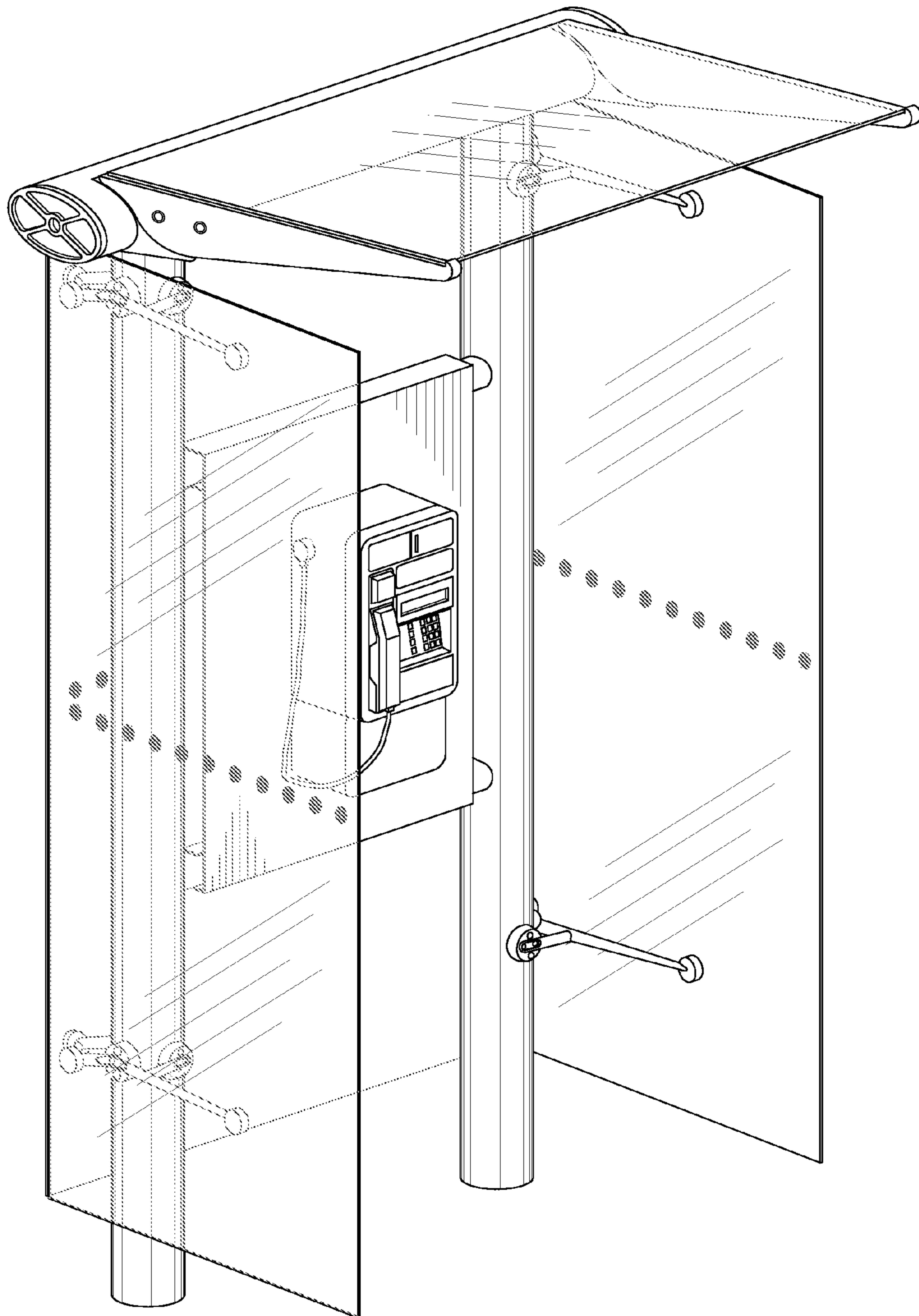


FIG. 7

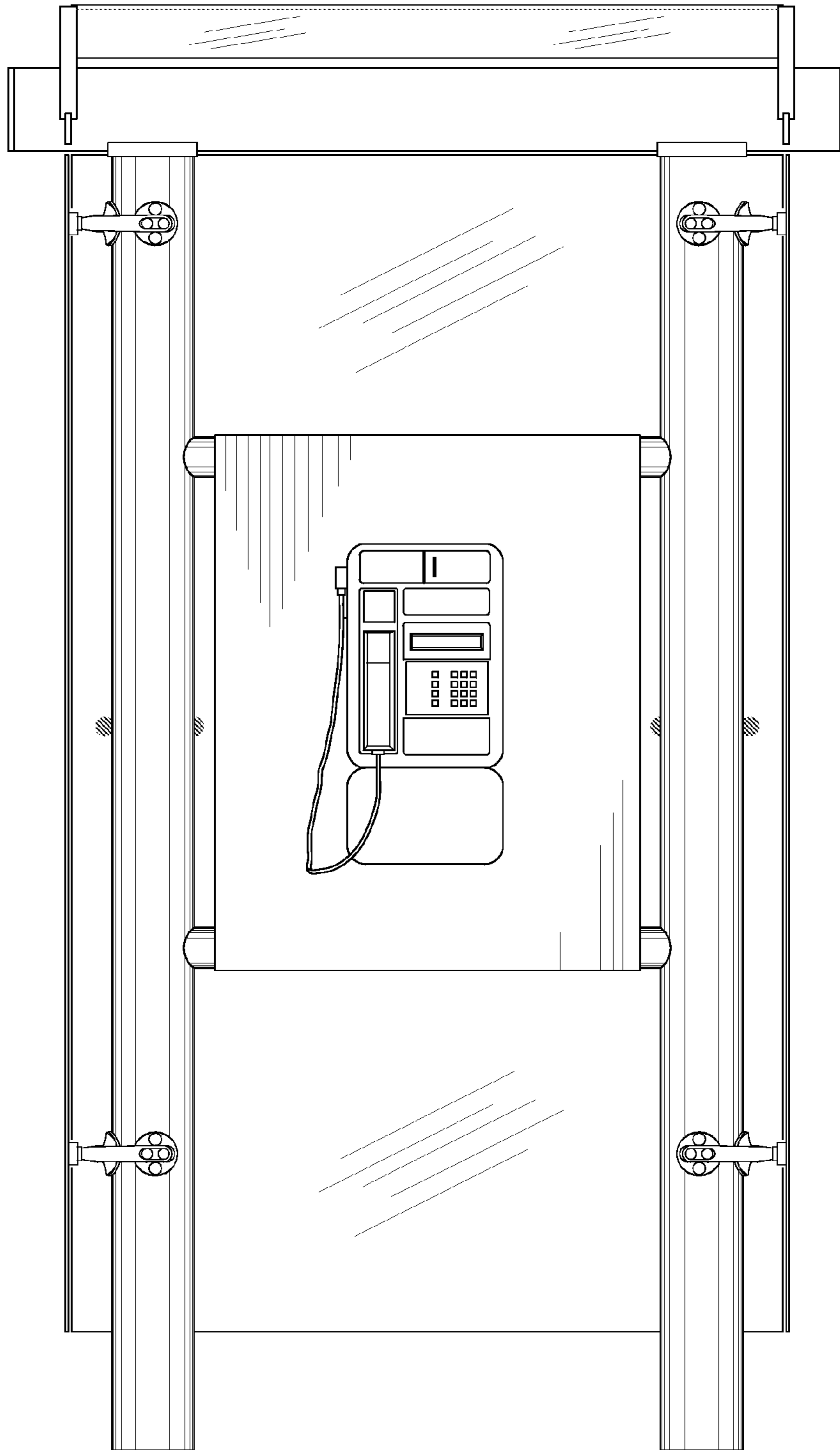


FIG. 8

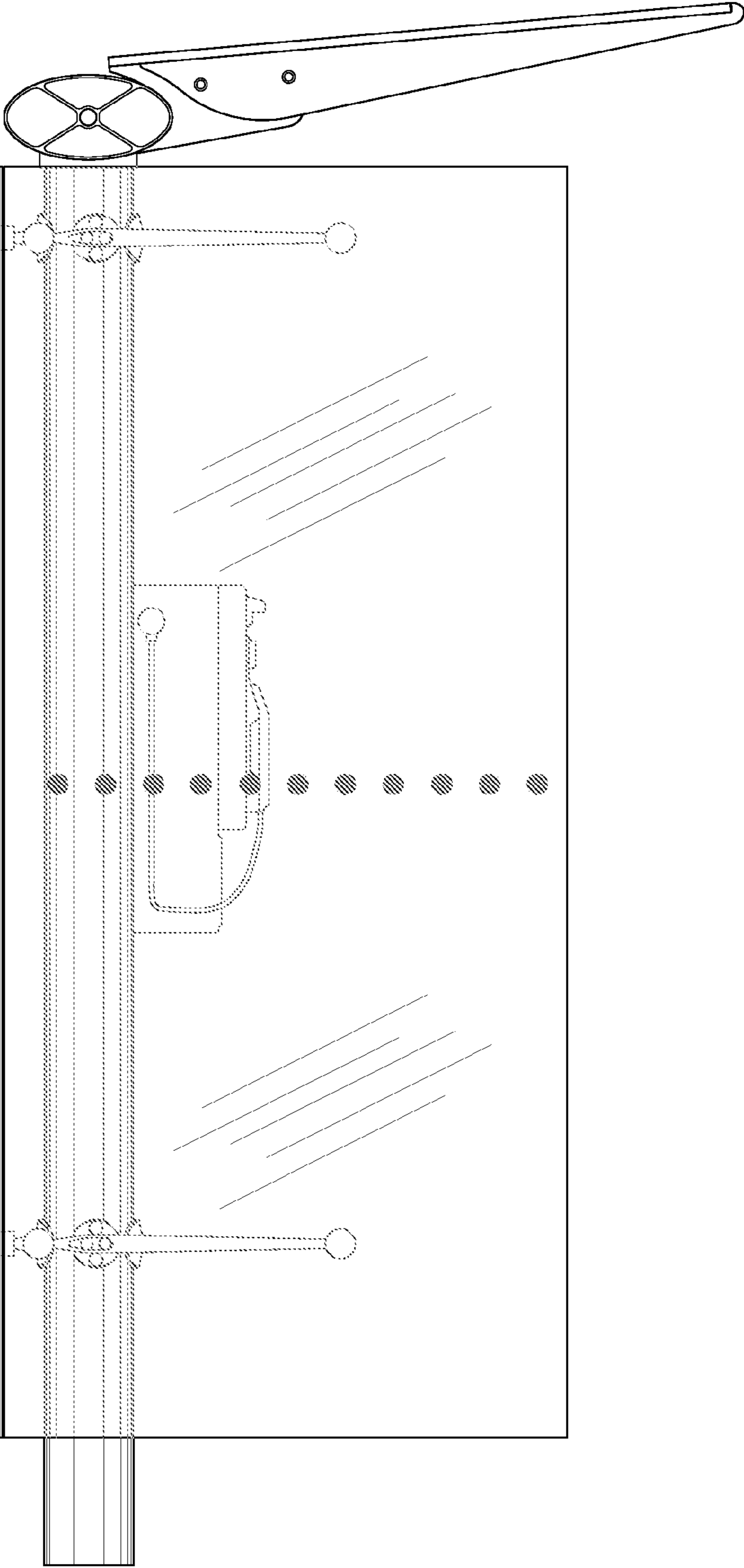


FIG. 9

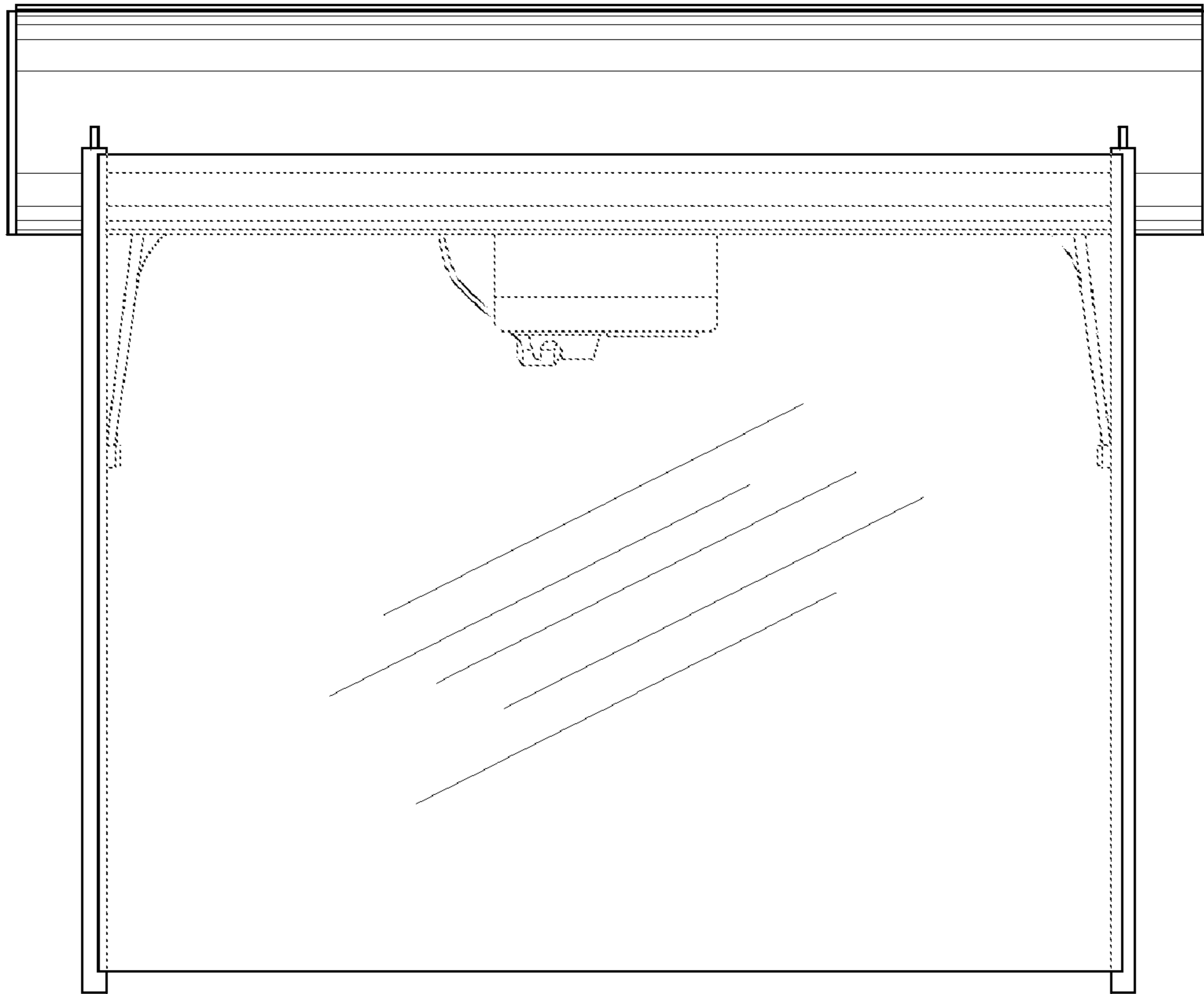


FIG. 10

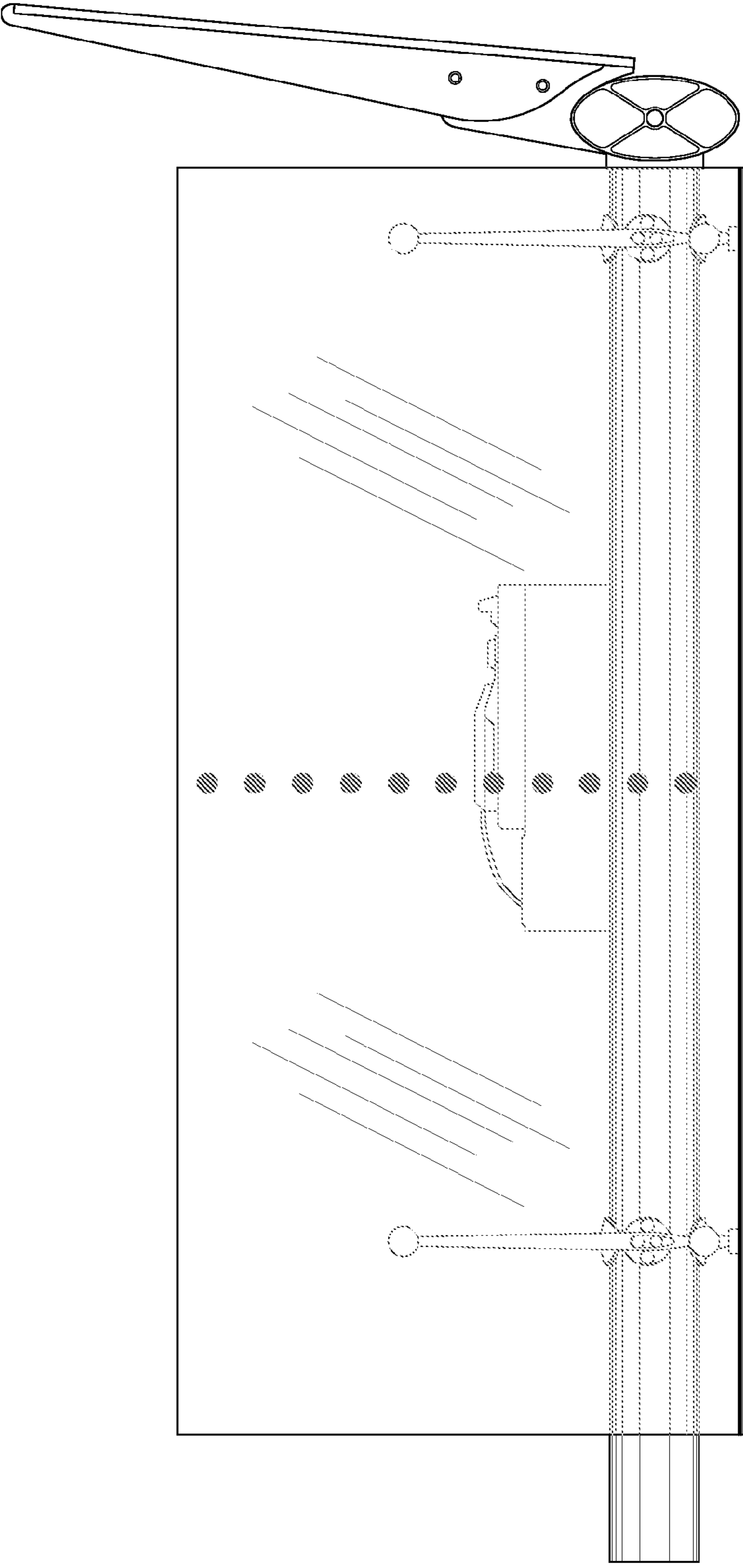


FIG. 11

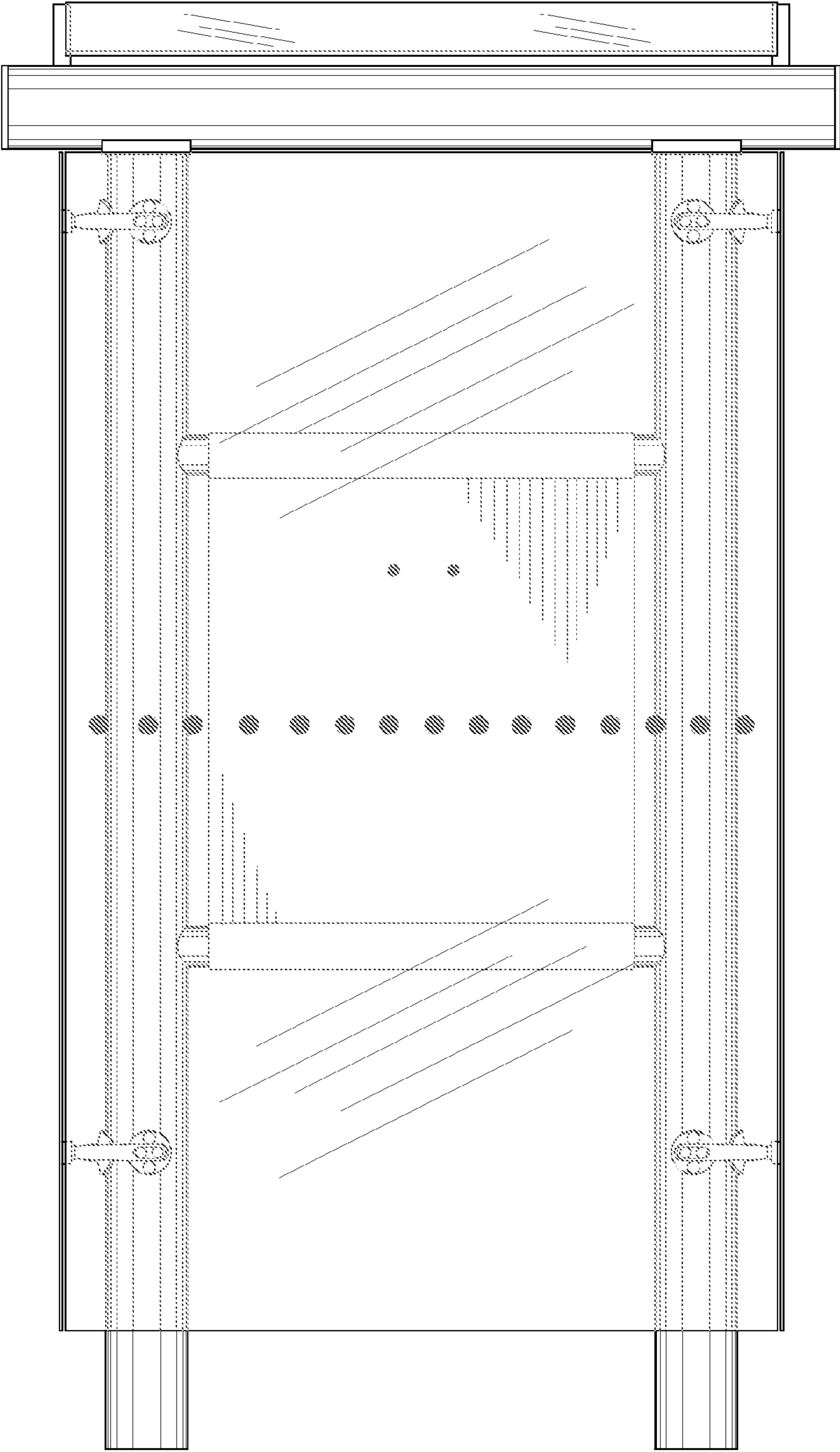


FIG. 12