



US00D608015S

(12) **United States Design Patent**
Sandel

(10) **Patent No.:** **US D608,015 S**

(45) **Date of Patent:** **** Jan. 12, 2010**

(54) **SURGICAL INSTRUMENT TRAY**

(75) **Inventor:** **Dan S. Sandel**, Chatsworth, CA (US)

(73) **Assignee:** **Sandel Medical Industries, LLC**,
Chatsworth, CA (US)

(**) **Term:** **14 Years**

(21) **Appl. No.:** **29/332,574**

(22) **Filed:** **Feb. 19, 2009**

(51) **LOC (9) Cl.** **24-01**

(52) **U.S. Cl.** **D24/227**

(58) **Field of Classification Search** D24/217,
D24/227-232; D9/414-415, 418, 423-429,
D9/432, 435, 761; 220/4.21-4.22, 23.8,
220/23.87, 532-533, 835; 206/386, 425,
206/508, 511, 518-521, 541, 555, 558, 564,
206/572; 422/102, 104; D3/313; 604/174
See application file for complete search history.

(56) **References Cited**

U.S. PATENT DOCUMENTS

D249,362 S *	9/1978	Forsman et al.	D24/230
D262,824 S *	1/1982	Dignan	D24/229
D268,130 S *	3/1983	Easton	D3/313
D275,886 S *	10/1984	Sheward et al.	D9/425
D276,462 S *	11/1984	Villarreal	D24/229
4,595,102 A *	6/1986	Cianci et al.	206/572
D334,973 S *	4/1993	Valentine et al.	D24/227
5,318,543 A *	6/1994	Ross et al.	604/174
D376,652 S *	12/1996	Hunt et al.	D24/227

D430,015 S *	8/2000	Himbert et al.	D9/425
D450,391 S *	11/2001	Hunt et al.	D24/227
D471,641 S *	3/2003	McMichael et al.	D24/229
D495,807 S *	9/2004	Agbodoie et al.	D24/229
D557,814 S *	12/2007	Glenn et al.	D24/217
D565,743 S *	4/2008	Phillips et al.	D24/229
D587,110 S *	2/2009	Kronshage et al.	D24/227
D595,422 S *	6/2009	Mustapha	D24/227

* cited by examiner

Primary Examiner—T. Chase Nelson

Assistant Examiner—Mark Cavanna

(74) *Attorney, Agent, or Firm*—Kenneth H. Ohriner; Perkins Coie LLP

(57) **CLAIM**

The ornamental design for a surgical instrument tray, as shown and described.

DESCRIPTION

FIG. 1 is a top, front, and left side perspective view.

FIG. 2 is a top view.

FIG. 3 is a bottom view.

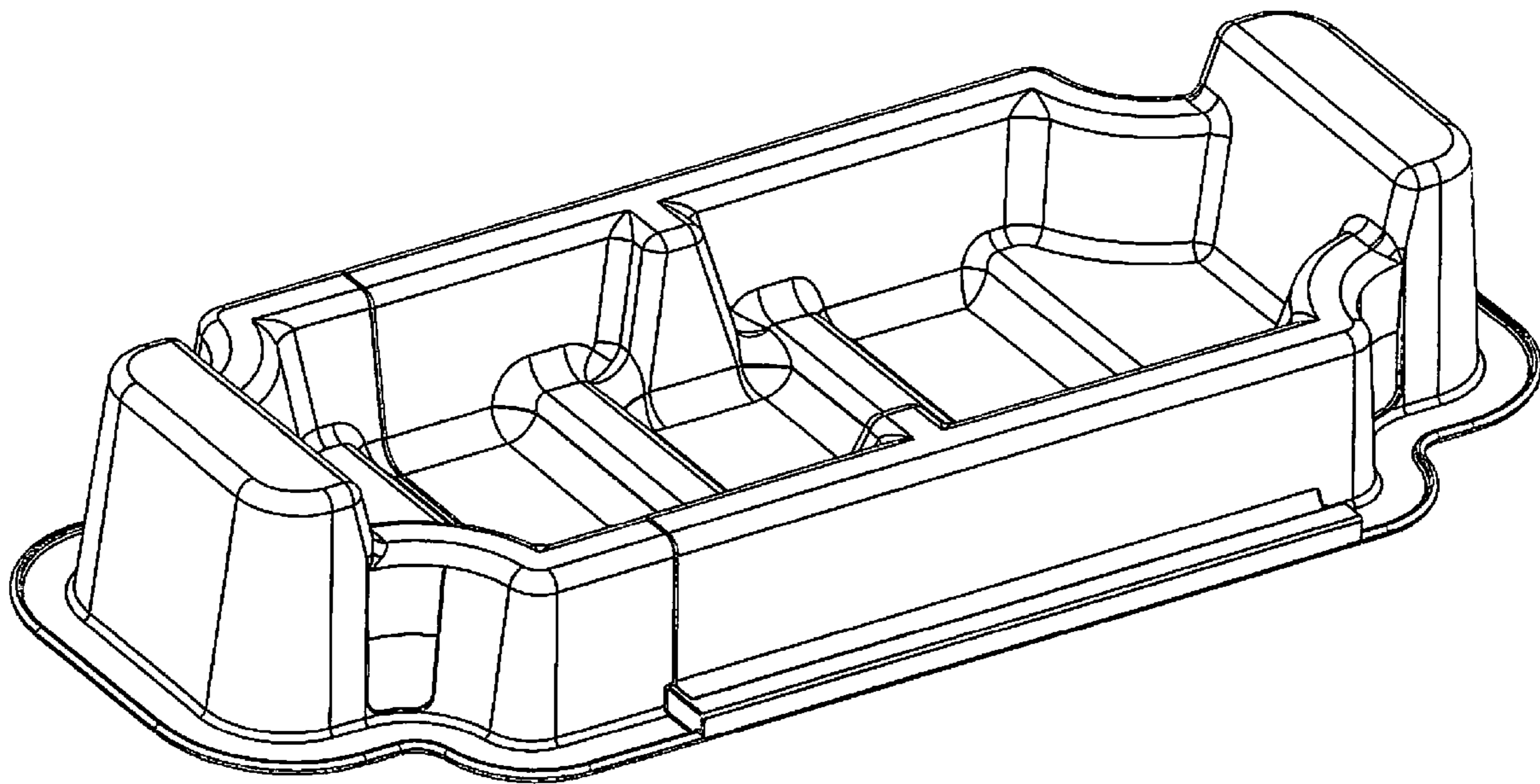
FIG. 4 is a right side view, which is the same as the left side view.

FIG. 5 is front view, which is the same as the back view.

FIG. 6 is a section view taken along a longitudinal centerline of the tray; and,

FIG. 7 is a section view taken along a lateral centerline of the tray.

1 Claim, 7 Drawing Sheets



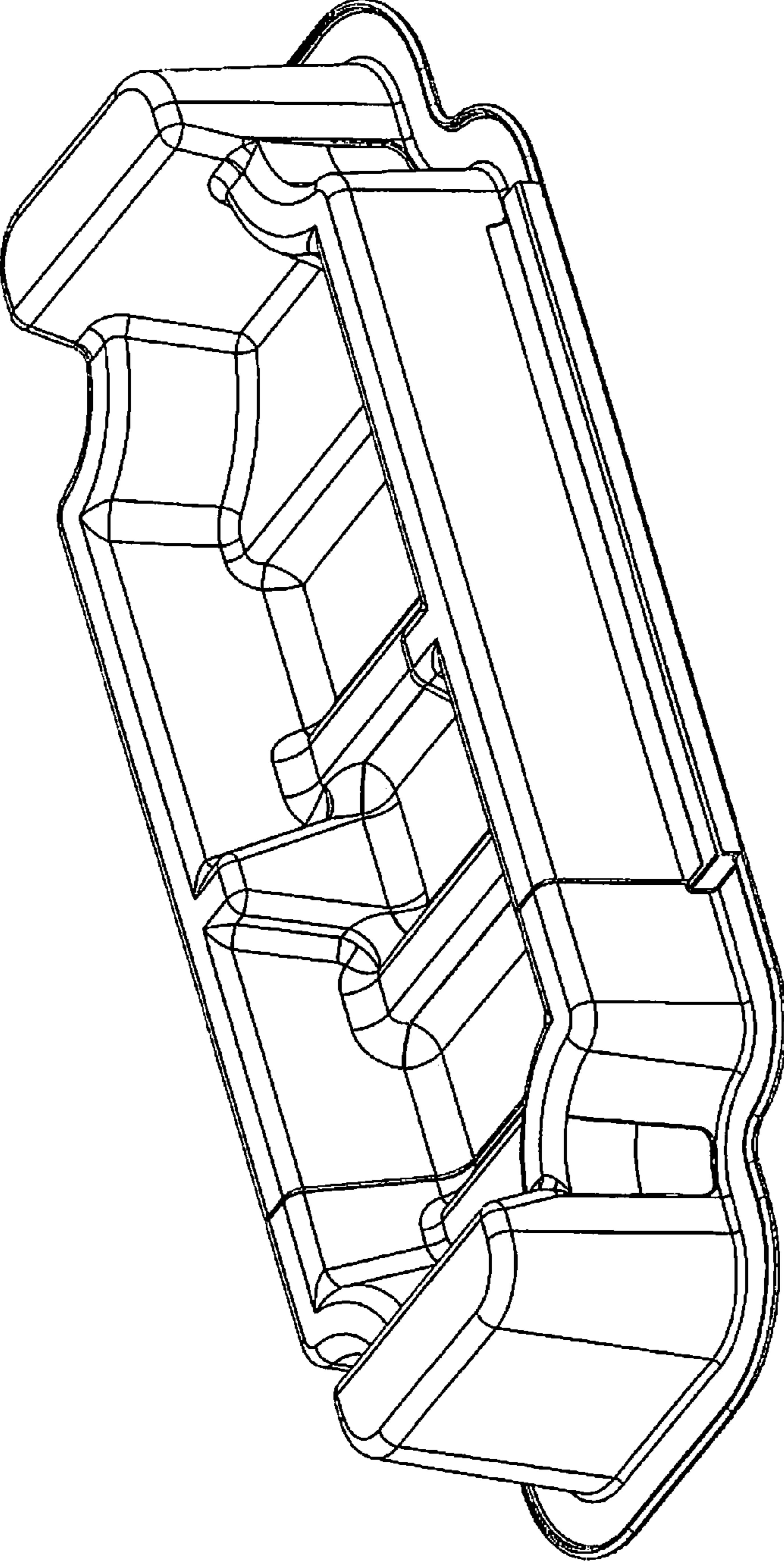


FIG. 1

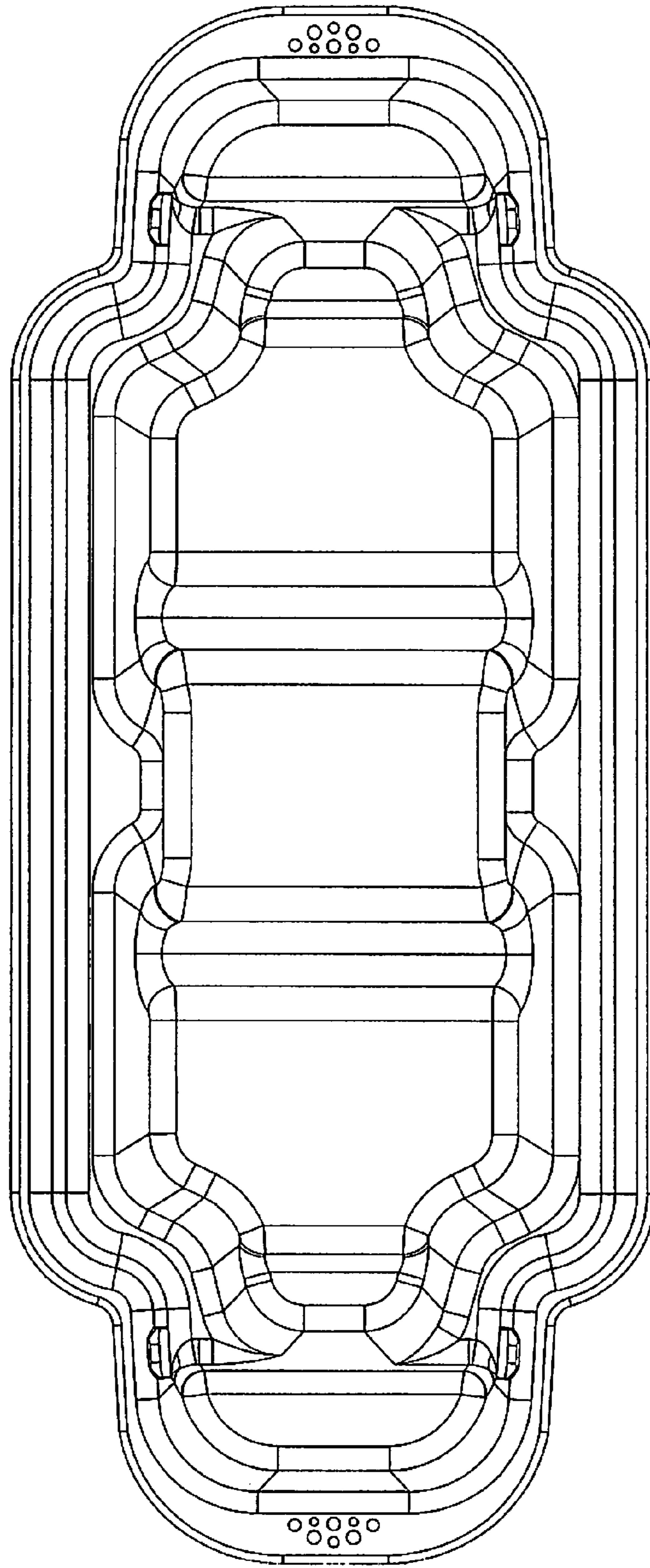


FIG. 2

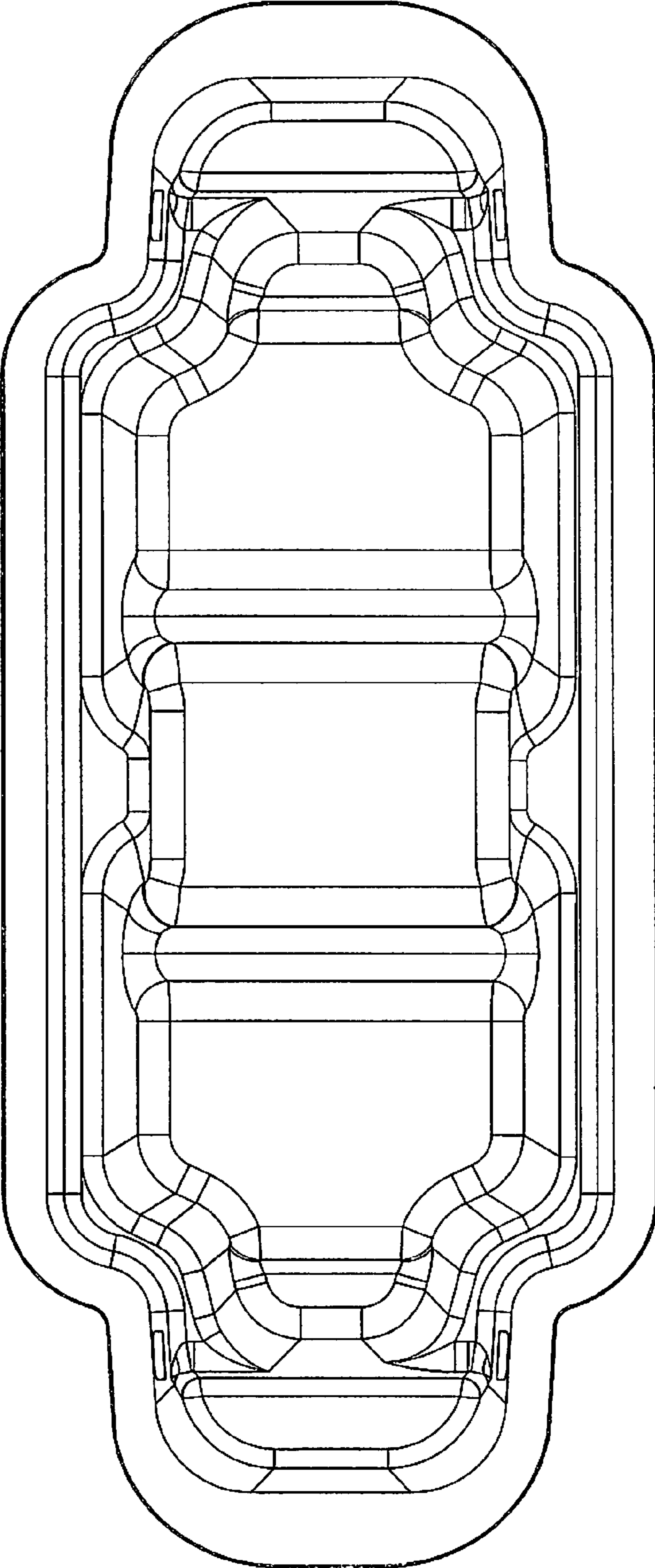


FIG. 3

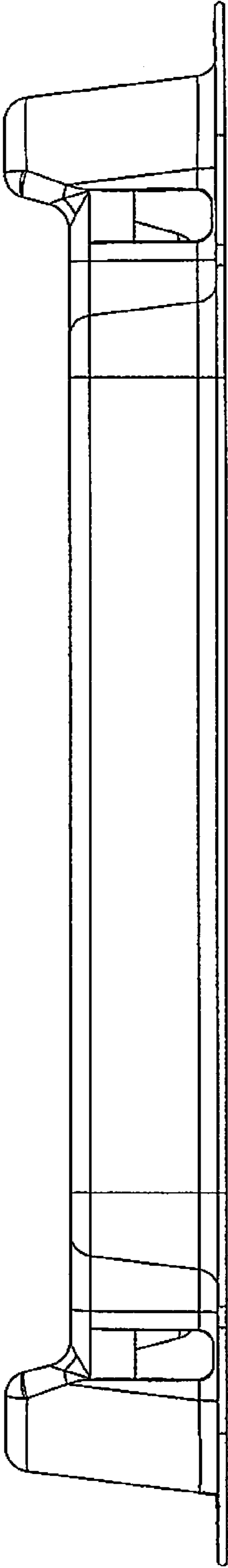


FIG. 4

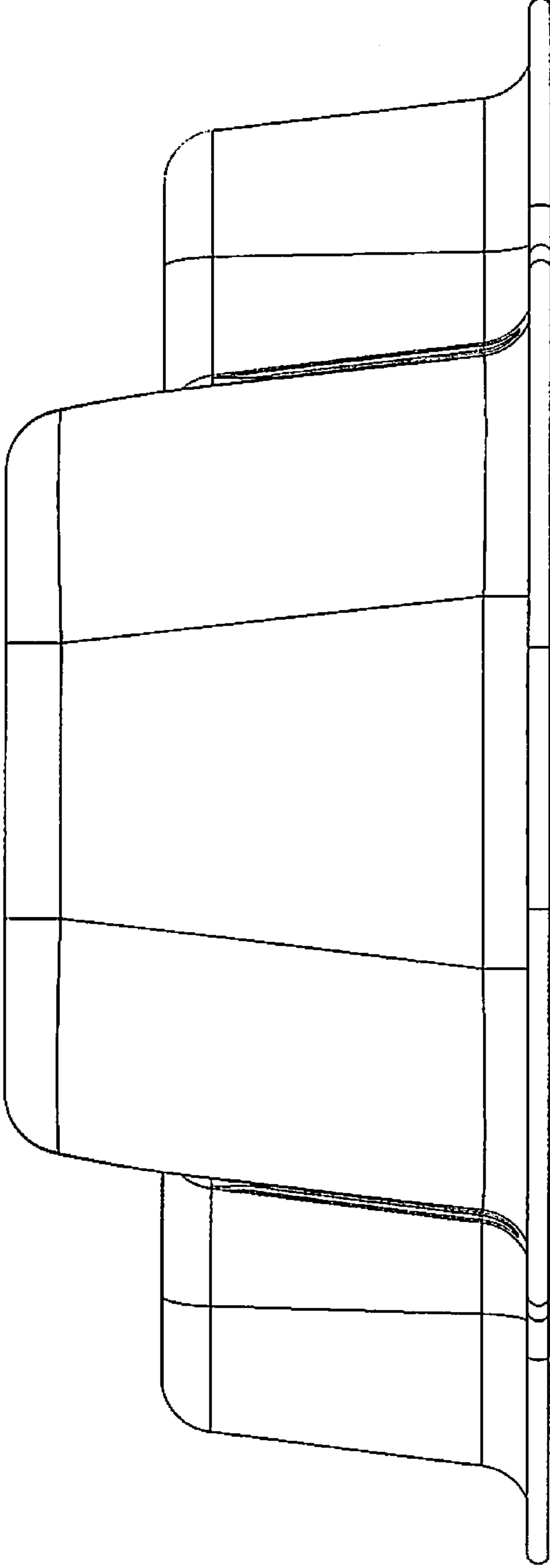


FIG. 5

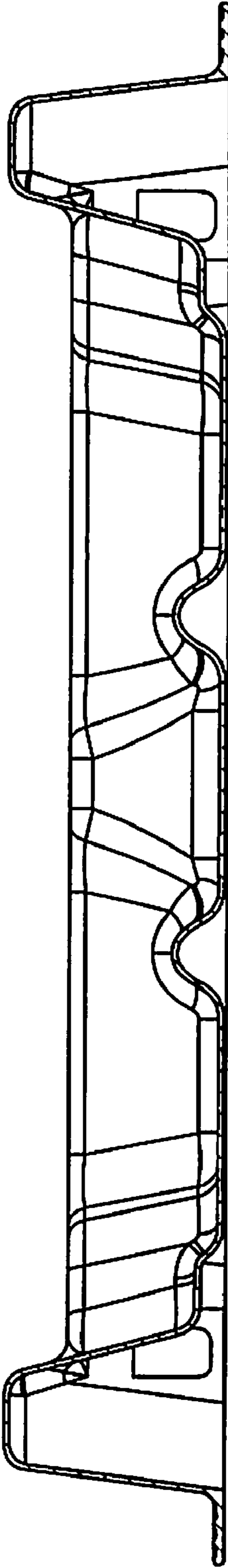


FIG. 6

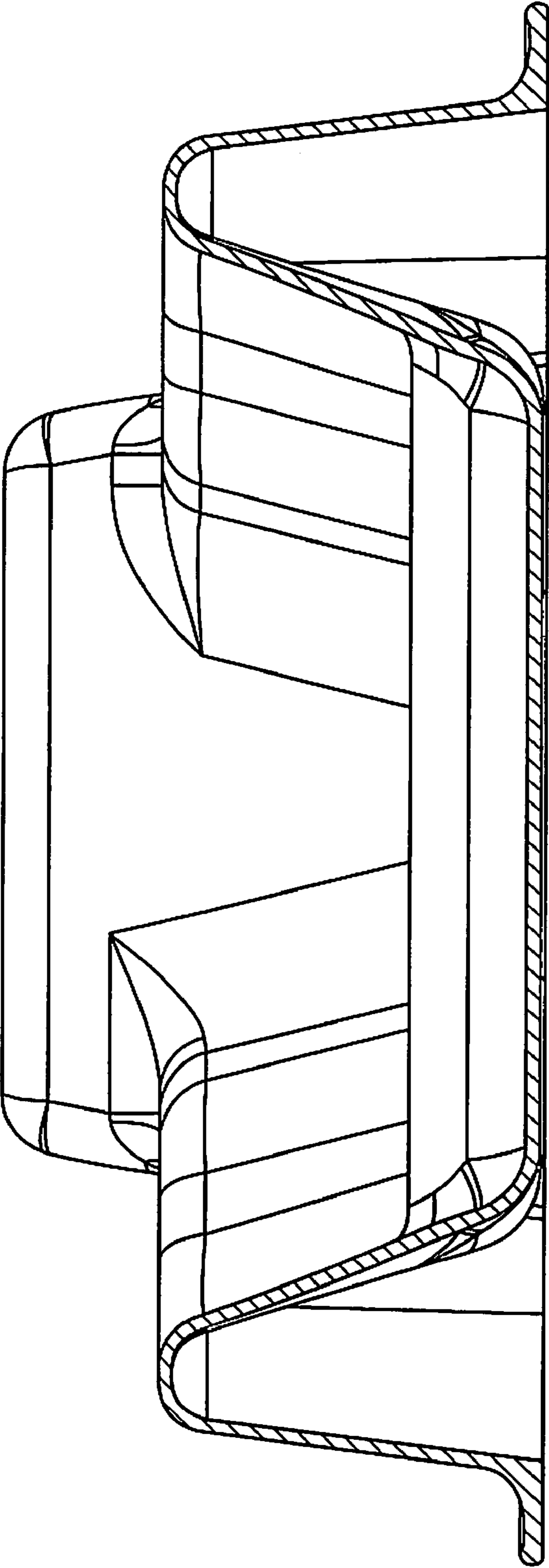


FIG. 7