



US00D608014S

(12) **United States Design Patent**  
**Wounder et al.**

(10) **Patent No.:** **US D608,014 S**  
(45) **Date of Patent:** **\*\* Jan. 12, 2010**

(54) **STAND FOR A CHROMATOGRAPHY COLUMN**

D598,125 S \* 8/2009 Wounder ..... D24/224

\* cited by examiner

(75) Inventors: **Sven Wounder**, Uppsala (SE); **Tomas Haukkala**, Storvreta (SE); **Ida Sundqvist**, Nacka (SE)

*Primary Examiner*—Elizabeth A Albert  
*Assistant Examiner*—Kelley A Donnelly  
(74) *Attorney, Agent, or Firm*—Yonggang Ji

(73) Assignee: **GE Healthcare Bio-Science AB**, Uppsala (SE)

(57) **CLAIM**

(\*\*) Term: **14 Years**

The ornamental design for a stand for a chromatography column, as shown and described.

(21) Appl. No.: **29/337,604**

**DESCRIPTION**

(22) Filed: **May 27, 2009**

FIG. 1 is a perspective view of the stand for a chromatography column showing our new design.

(30) **Foreign Application Priority Data**

Dec. 1, 2008 (EM) ..... 001048748-0001

FIG. 2 is a left side view of the stand for a chromatography column of FIG. 1

(51) **LOC (9) Cl.** ..... **24-02**

(52) **U.S. Cl.** ..... **D24/224**

(58) **Field of Classification Search** ..... D24/216–232; D10/81; 422/99, 102, 104; D6/429, 491, D6/495–496; 248/129, 188.1, 188.8, 188.9  
See application file for complete search history.

FIG. 3 is a rear view of the stand for a chromatography column of FIG. 1.

FIG. 4 is a front view of the stand for a chromatography column of FIG. 1.

FIG. 5 is a top plan view of the stand for a chromatography column of FIG. 1.

(56) **References Cited**

**U.S. PATENT DOCUMENTS**

D247,034 S \* 1/1978 Brodmann ..... D14/224  
D307,182 S \* 4/1990 Smith ..... D24/128  
5,165,632 A \* 11/1992 Kuan ..... 248/129  
D468,137 S \* 1/2003 Ulmer ..... D6/496  
D551,104 S \* 9/2007 Wounder ..... D10/81  
D597,217 S \* 7/2009 Wounder ..... D24/224

FIG. 6 is a perspective view of the stand for a chromatography column of FIG. 1 with the column in vertical position; and,

FIG. 7 is a perspective view of the stand for a chromatography column of FIG. 1 with the column in angled position.

The broken line showing of a chromatography column is for purposes of illustrating environmental structure that forms no part of the claimed design.

**1 Claim, 7 Drawing Sheets**

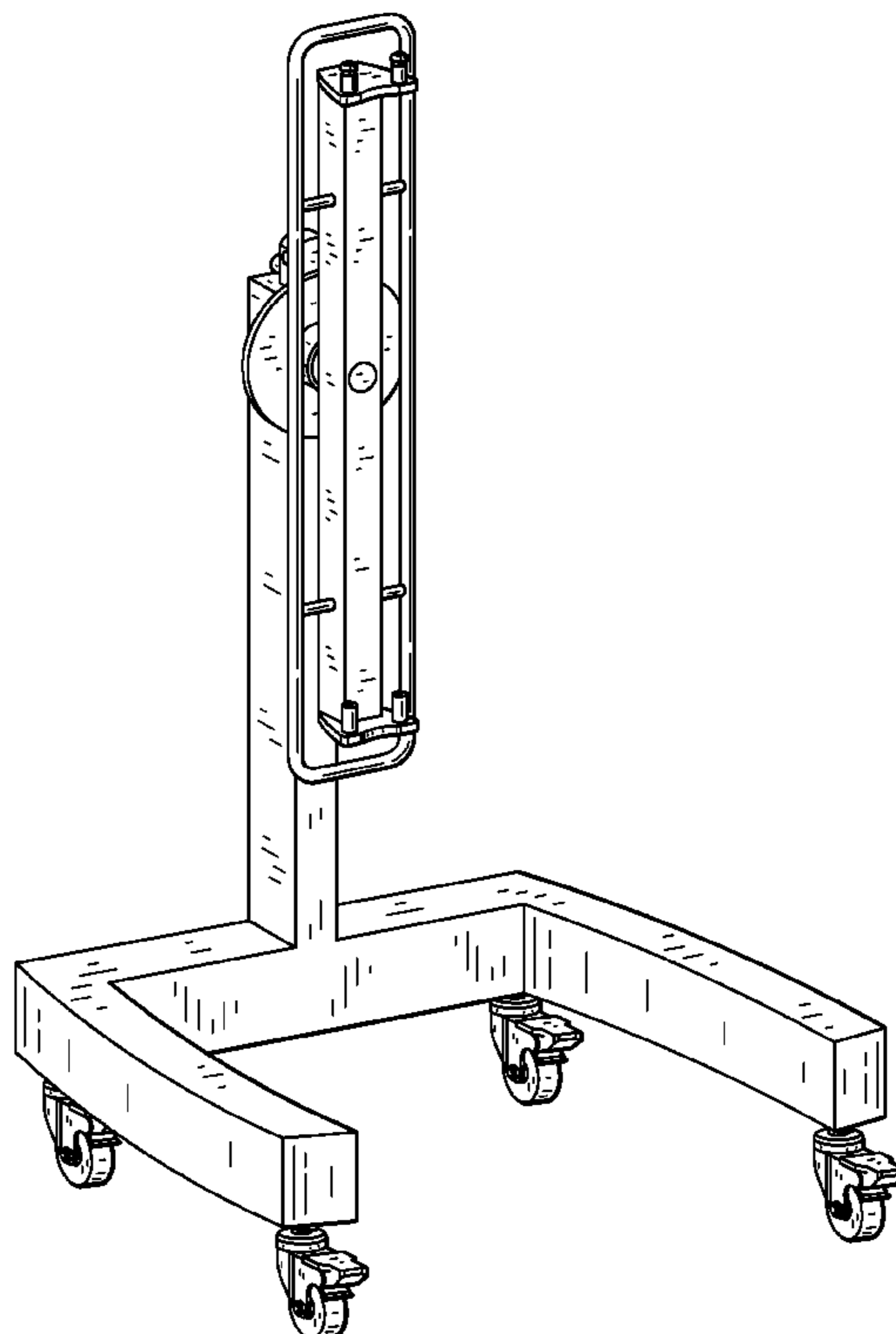


FIG. 1

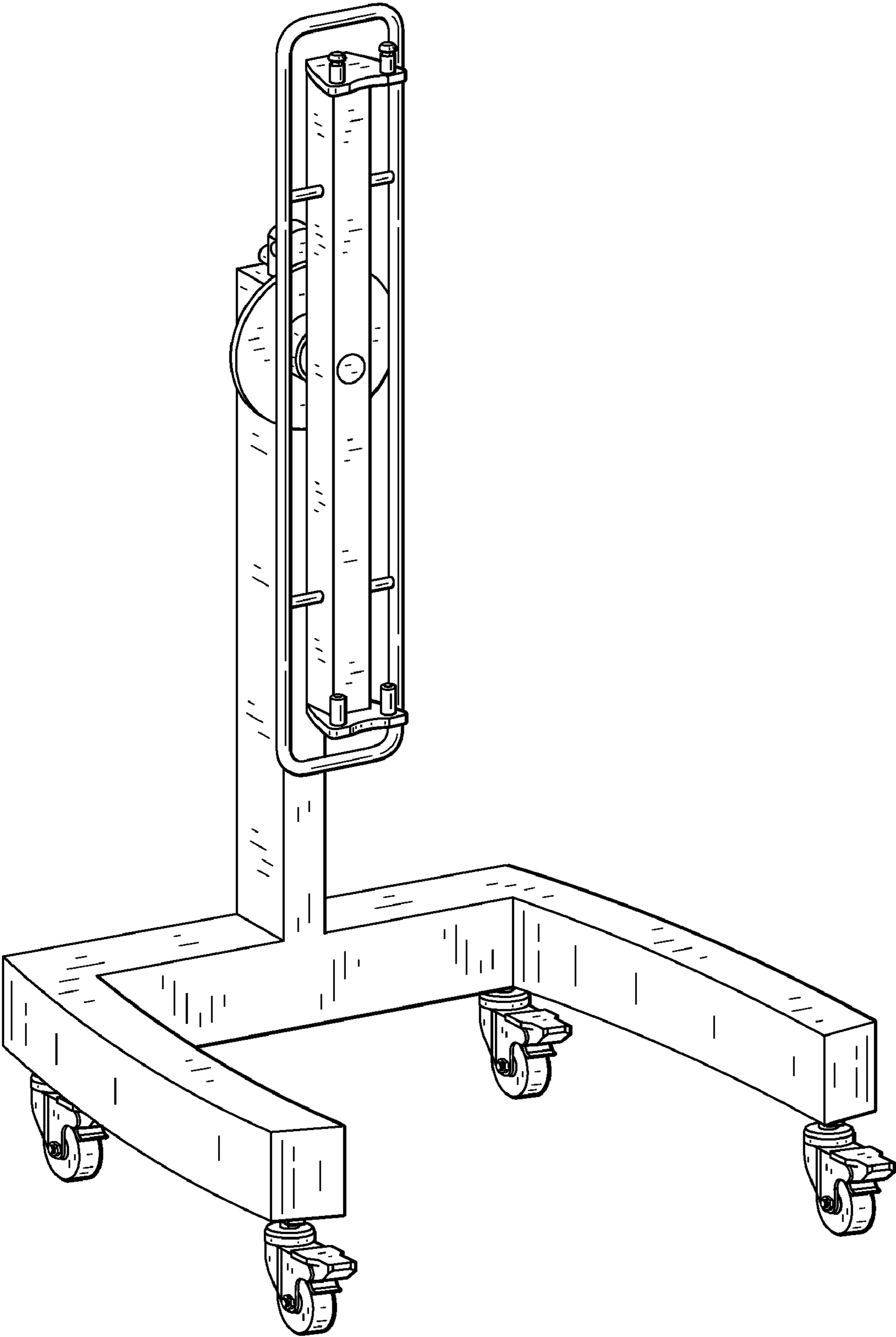


FIG. 2

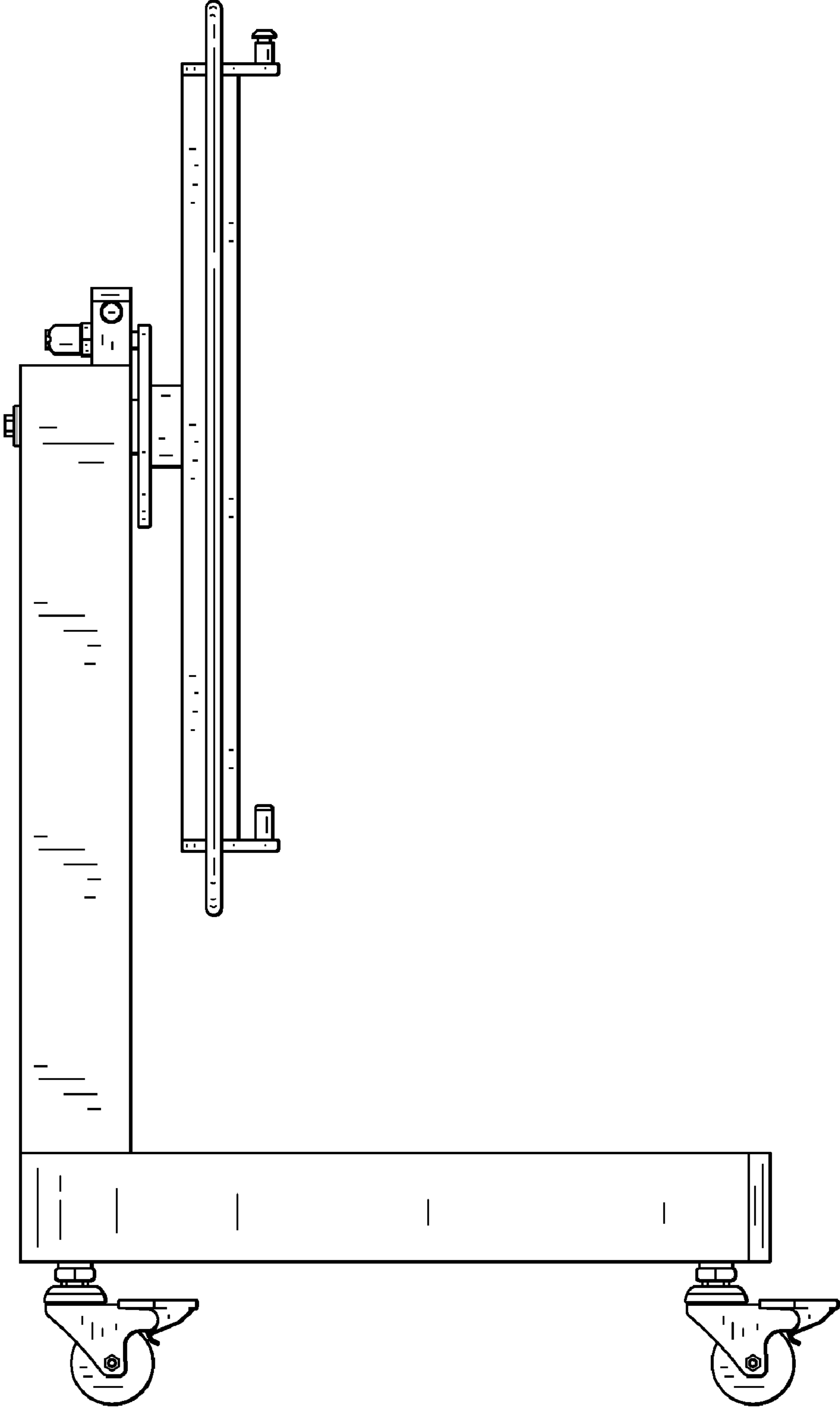


FIG. 3

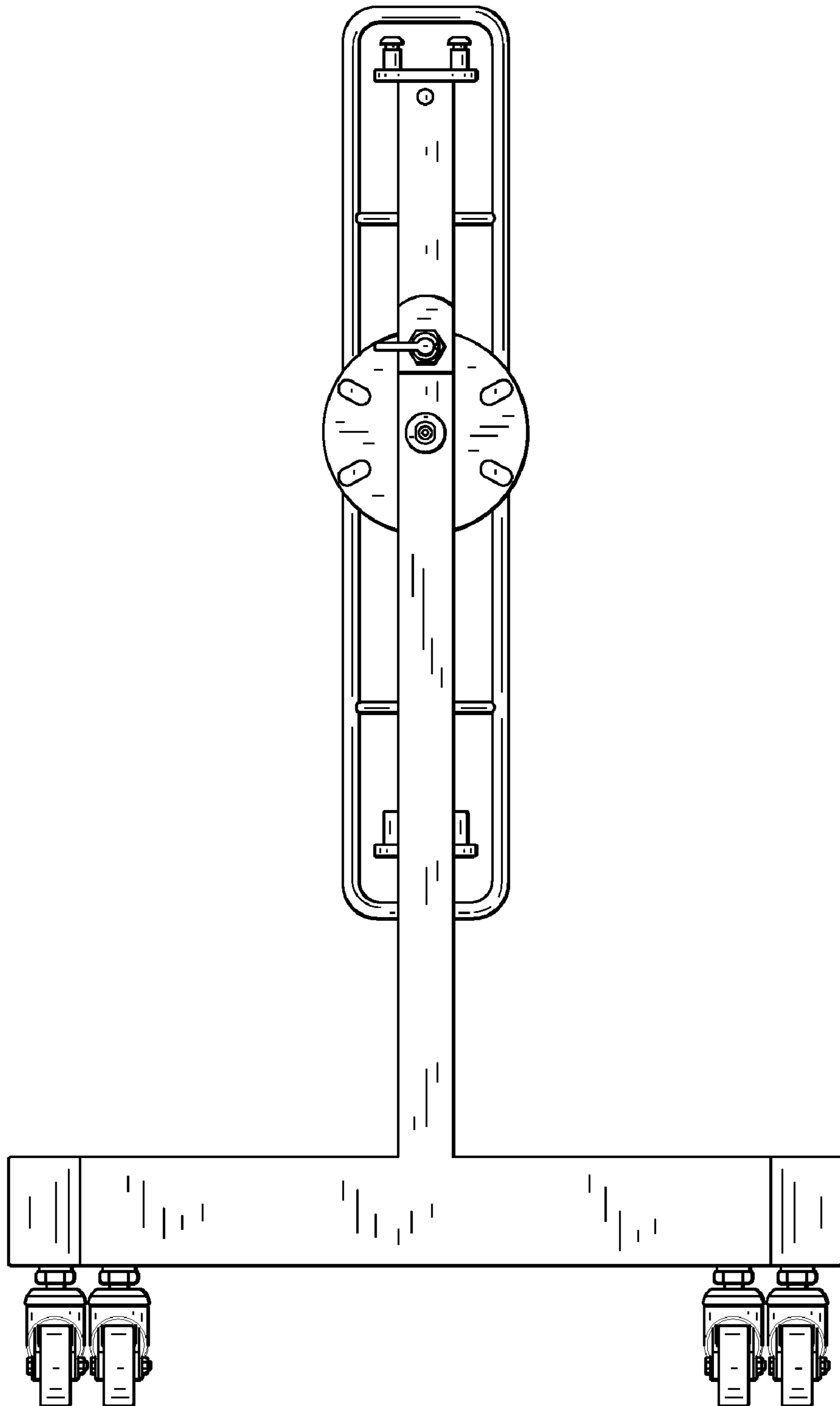
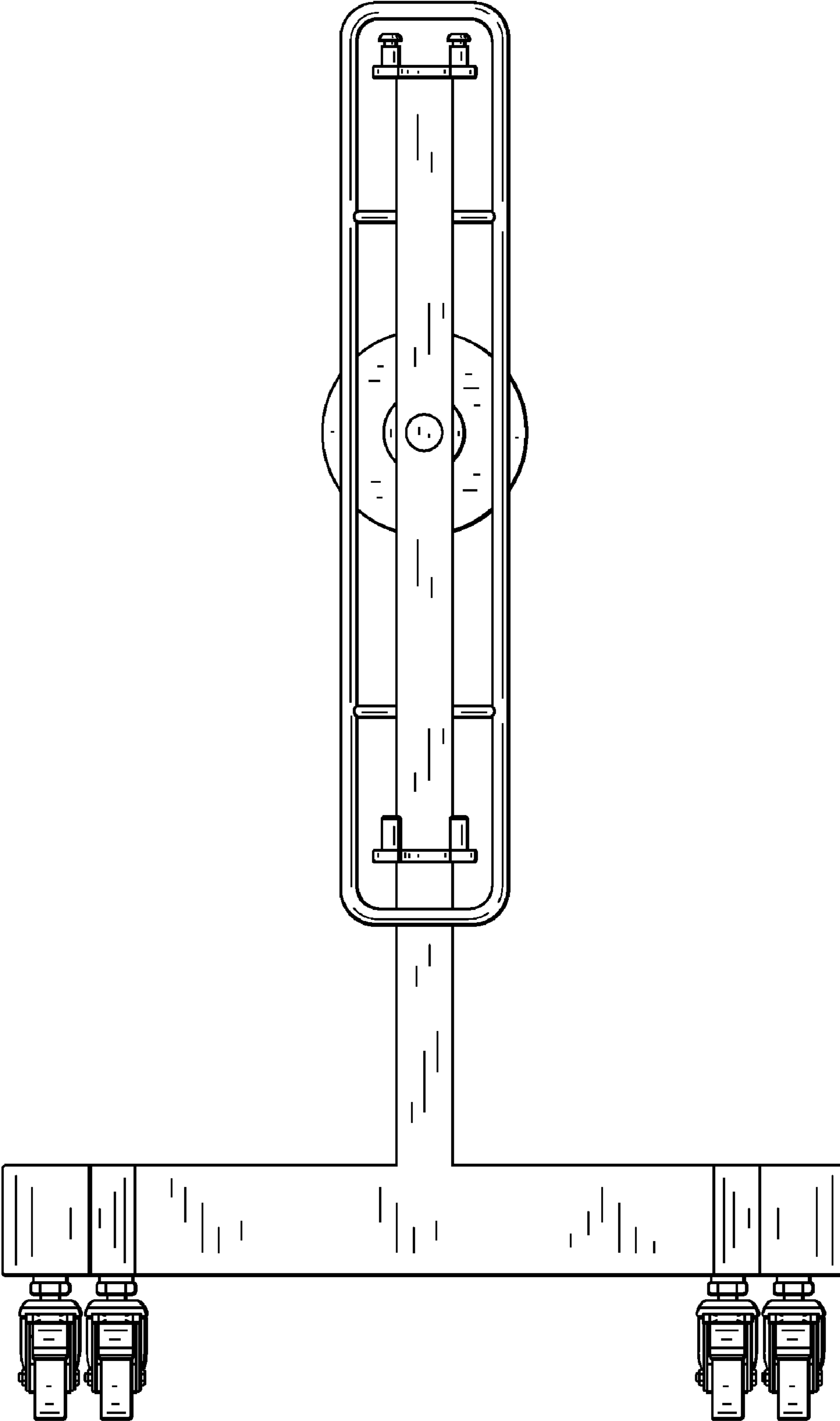


FIG. 4



# FIG. 5

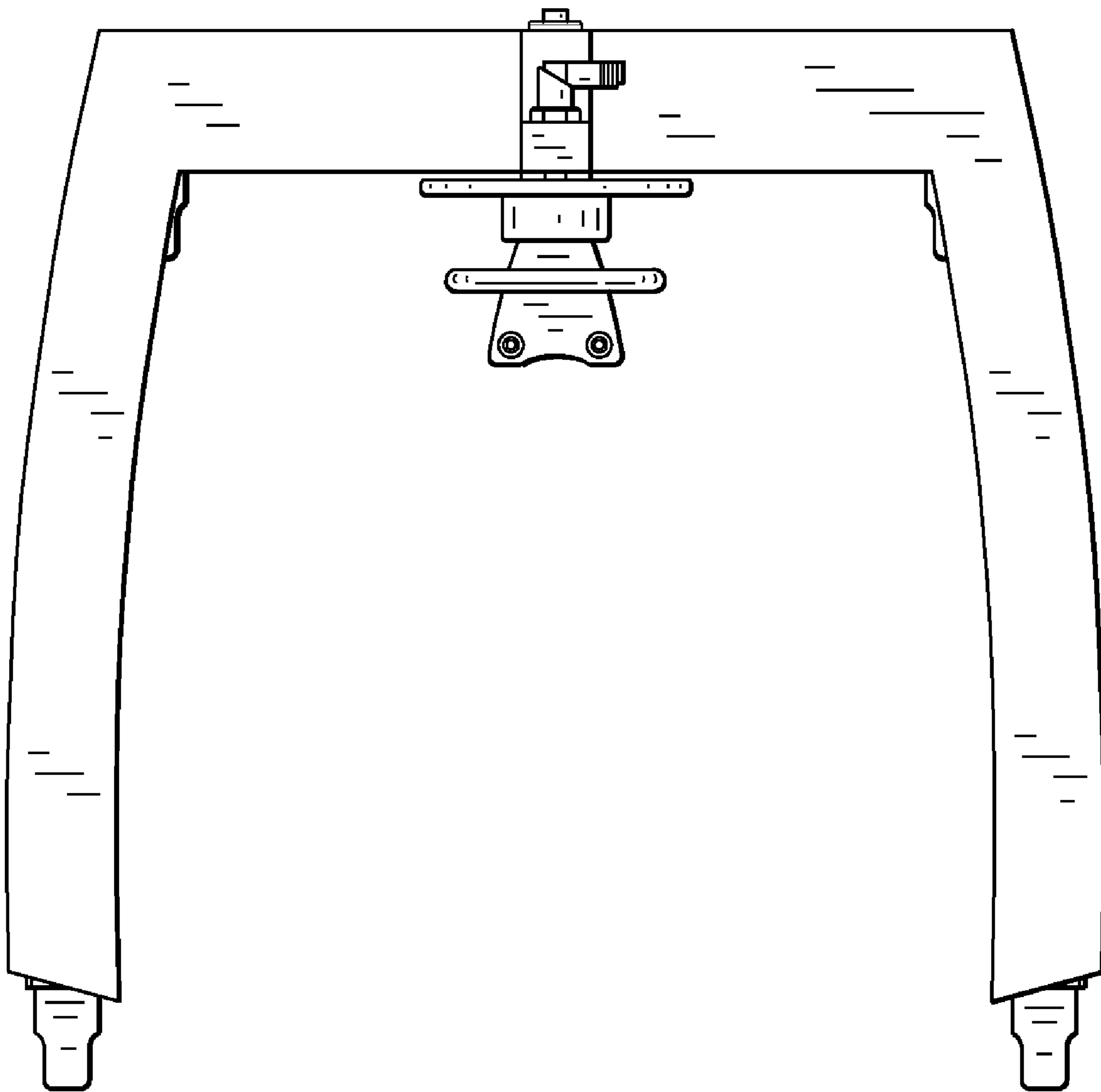


FIG. 6

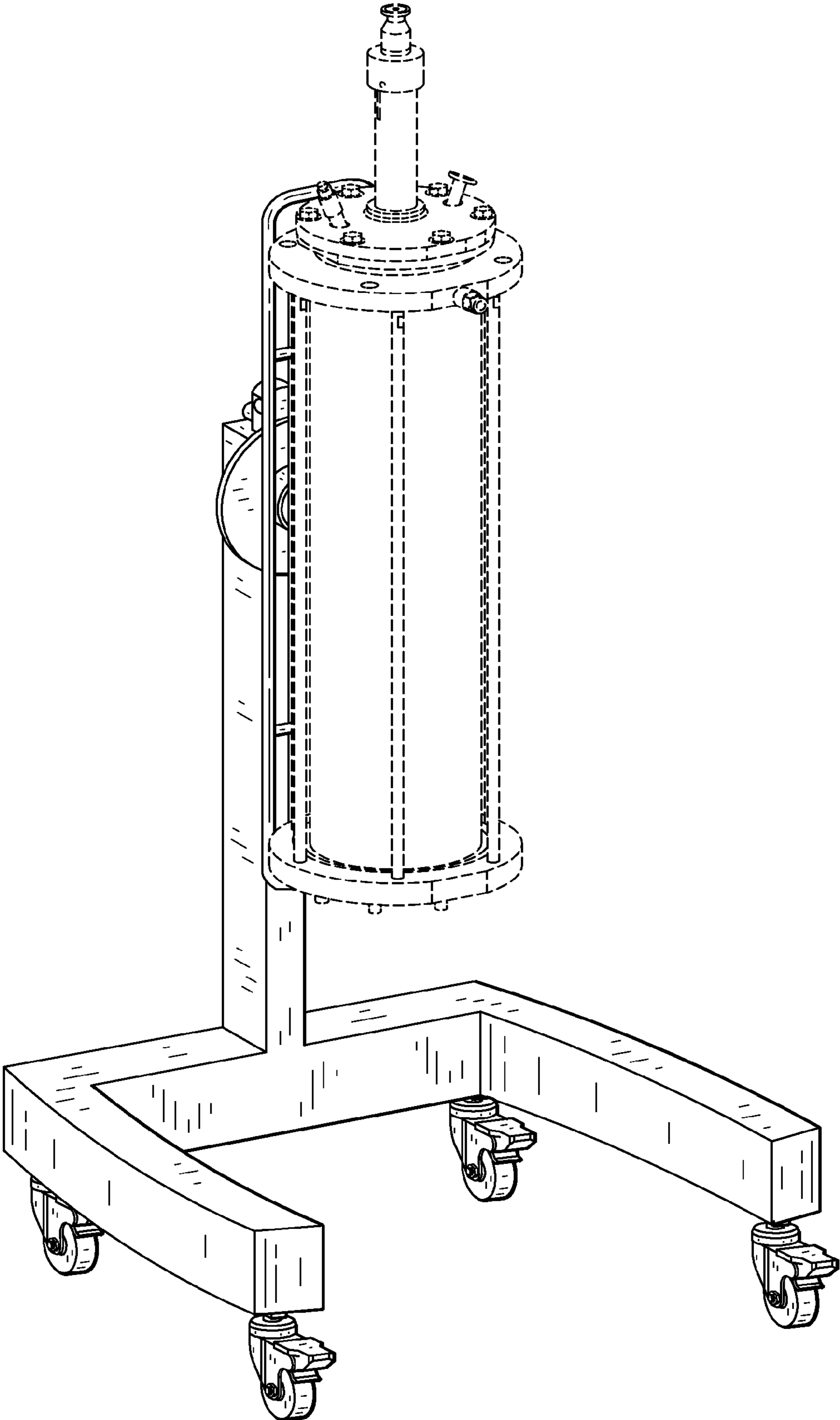


FIG. 7

