



US00D608013S

(12) **United States Design Patent**
Coulling et al.

(10) **Patent No.:** **US D608,013 S**
(45) **Date of Patent:** **** Jan. 12, 2010**

(54) **PCR MULTI-WELL PLATE**

(75) Inventors: **Jeffrey Leonard Coulling**, Kent (GB);
Simon May, Surrey (GB); **Clive Ian Harrison**, Surrey (GB)

(73) Assignee: **ABgene Limited**, Surrey (GB)

(**) Term: **14 Years**

(21) Appl. No.: **29/334,682**

(22) Filed: **Mar. 31, 2009**

(30) **Foreign Application Priority Data**

Jan. 29, 2009 (EM) 001079818-0001

(51) **LOC (9) Cl.** **02-04**

(52) **U.S. Cl.** **D24/224**

(58) **Field of Classification Search** D24/216,
D24/224, 226, 230; 422/101, 102, 104; 436/288.4,
436/305.1, 305.2, 305.3, 305.4

See application file for complete search history.

(56) **References Cited**

U.S. PATENT DOCUMENTS

3,356,462 A 12/1967 Cooke et al.
3,785,928 A 1/1974 Kessler
3,932,141 A 1/1976 Beall et al.

(Continued)

FOREIGN PATENT DOCUMENTS

EP 0 359 249 A2 3/1990

(Continued)

OTHER PUBLICATIONS

Advanced Biotechnologies, Plastic Consumables, Thin-Walled Tubes and Plates, 1997/98 Catalogue, First Distributed and Mailed in Jul. 1997 (2 pages).

(Continued)

Primary Examiner—Elizabeth A Albert
Assistant Examiner—Kelley A Donnelly

(74) *Attorney, Agent, or Firm*—Wood, Herron & Evans, LLP

(57) **CLAIM**

We claim the ornamental design for a PCR multi-well plate, as shown and described.

DESCRIPTION

FIG. 1 is a top plan view of the PCR multi-well plate of the present invention;

FIG. 2 is a front view of the PCR multi-well plate of FIG. 1; FIG. 3 is a back side view of the PCR multi-well plate of FIG. 1;

FIG. 4 is a right side view of the PCR multi-well plate of FIG. 1;

FIG. 5 is a left side view of the PCR multi-well plate of FIG. 1;

FIG. 6 is a bottom view of the PCR multi-well plate of FIG. 1;

FIG. 7 is a top plan view of a portion of the PCR multi-well plate of FIG. 1 shown without the rest of the plate for convenience of illustration;

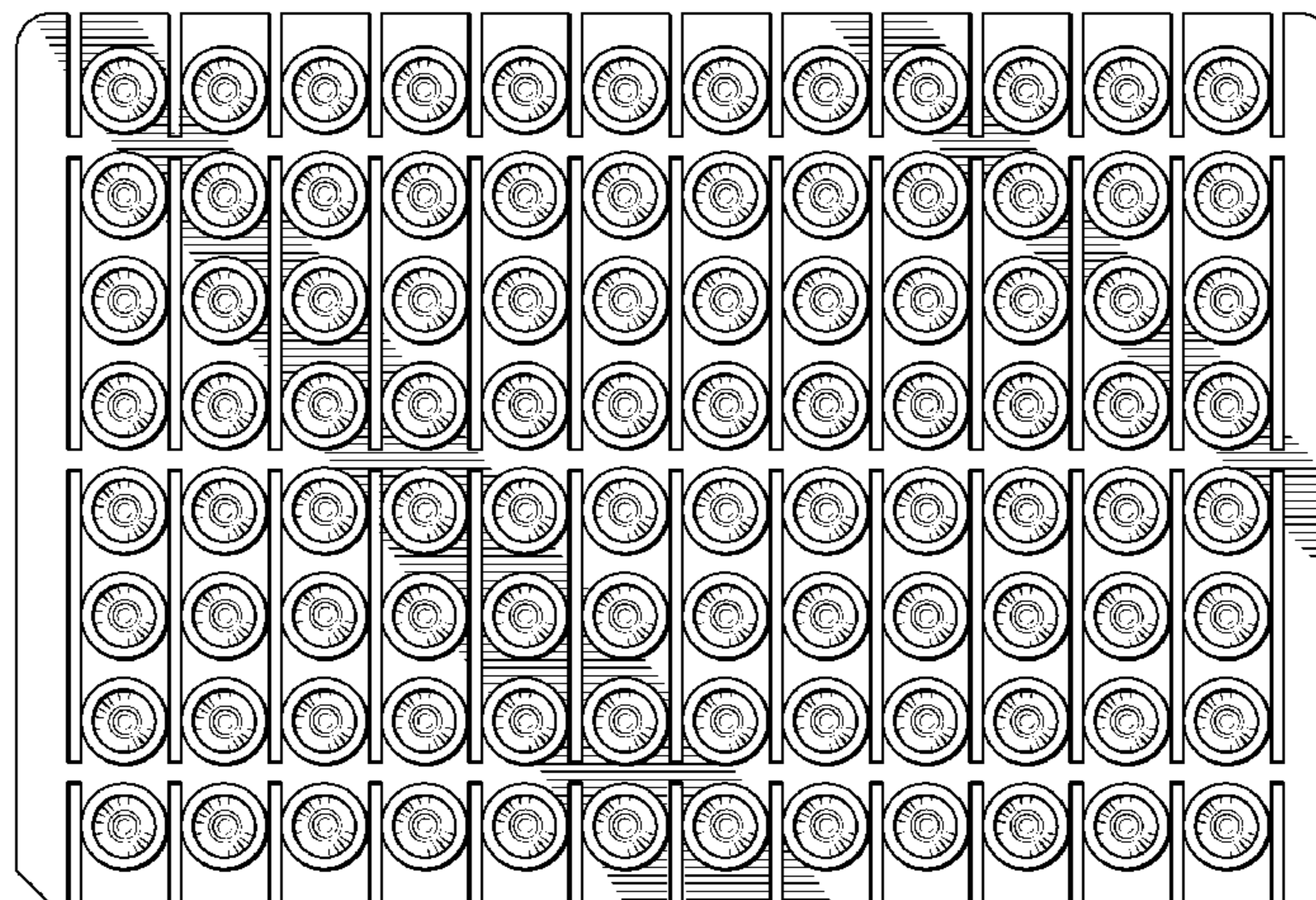
FIG. 8 is a front view of the portion of the PCR multi-well plate of FIG. 7, the rear view being an identical image thereof shown without the rest of the plate for convenience of illustration;

FIG. 9 is a right side view of the portion of the PCR multi-well plate of FIG. 7, the left side being an identical image thereof shown without the rest of the plate for convenience of illustration;

FIG. 10 is a bottom view of the portion of the PCR multi-well plate of FIG. 7 shown without the rest of the plate for convenience of illustration; and,

FIG. 11 is a cross-sectional view of the portion of the PCR multi-well plate of FIG. 7, taken along line 11—11 shown without the rest of the plate for convenience of illustration.

1 Claim, 3 Drawing Sheets



US D608,013 S

Page 2

U.S. PATENT DOCUMENTS

4,246,339 A 1/1981 Cole et al.
D261,466 S 10/1981 Harper
4,684,250 A 8/1987 Kukka et al.
5,000,921 A 3/1991 Hanaway et al.
D323,400 S * 1/1992 Frenkel et al. D24/230
D325,975 S * 5/1992 Grade et al. D24/230
5,326,533 A 7/1994 Lee et al.
5,417,923 A 5/1995 Bojanic et al.
5,487,872 A 1/1996 Hafeman et al.
5,516,490 A 5/1996 Sanadi
5,554,536 A 9/1996 Rising
5,609,164 A 3/1997 Dyrud et al.
5,650,323 A 7/1997 Root
5,679,310 A 10/1997 Manns
5,710,381 A 1/1998 Atwood et al.
5,897,837 A 4/1999 Mizuno
5,916,526 A 6/1999 Robbins
5,972,694 A 10/1999 Mathus
D420,743 S 2/2000 Monks
D421,130 S * 2/2000 Cohen et al. D24/229
D433,759 S * 11/2000 Mathis et al. D24/227
D441,091 S * 4/2001 Day D24/224
D448,854 S * 10/2001 Kuiper et al. D24/230
D452,740 S * 1/2002 Brennan et al. D24/226
D453,573 S * 2/2002 Lafond et al. D24/224
D461,554 S * 8/2002 Lafond et al. D24/230
D469,544 S 1/2003 Lafond et al.
6,558,631 B1 5/2003 Day
D477,416 S * 7/2003 Roberts et al. D24/216
6,601,725 B2 * 8/2003 Lafond et al. 220/23.4

D482,454 S * 11/2003 Gebrian D24/224
6,640,981 B2 * 11/2003 Lafond et al. 211/74
D484,989 S * 1/2004 Gebrian D24/230
6,884,615 B2 4/2005 Suzuki et al.
6,977,722 B2 12/2005 Wohlstadter et al.
D547,505 S 7/2007 Carr et al.
D556,338 S 11/2007 Coulling et al.
7,347,977 B2 3/2008 Guelzow et al.
D574,505 S * 8/2008 Muller-Cohn et al. D24/216
D574,506 S 8/2008 Monks
D575,599 S * 8/2008 Ignozzi D7/701
D576,208 S 9/2008 Quercetti
D598,566 S * 8/2009 Allaer D24/230
2005/0152810 A1 7/2005 Kowallis et al.

FOREIGN PATENT DOCUMENTS

EP 0 488 769 A2 6/1992
EP 0 542 422 A1 5/1993
WO 92/01513 A1 2/1992
WO 97/06890 A1 2/1997

OTHER PUBLICATIONS

Corning Costar Corporation, Molecular Biology Overview, Corning Costar 1996/1997 Catalog (24 pages).
Corning Thermowell Gold 96 Plates. Sigma-Aldrich. www.sigmaaldrich.com.
Thermowell Gold 96 Well PCR Micro Plate. Corning. www.catalog2.corning.com.
TempPlate 96 Well PCR Plate. USA Scientific. www.usascientific.com.

* cited by examiner

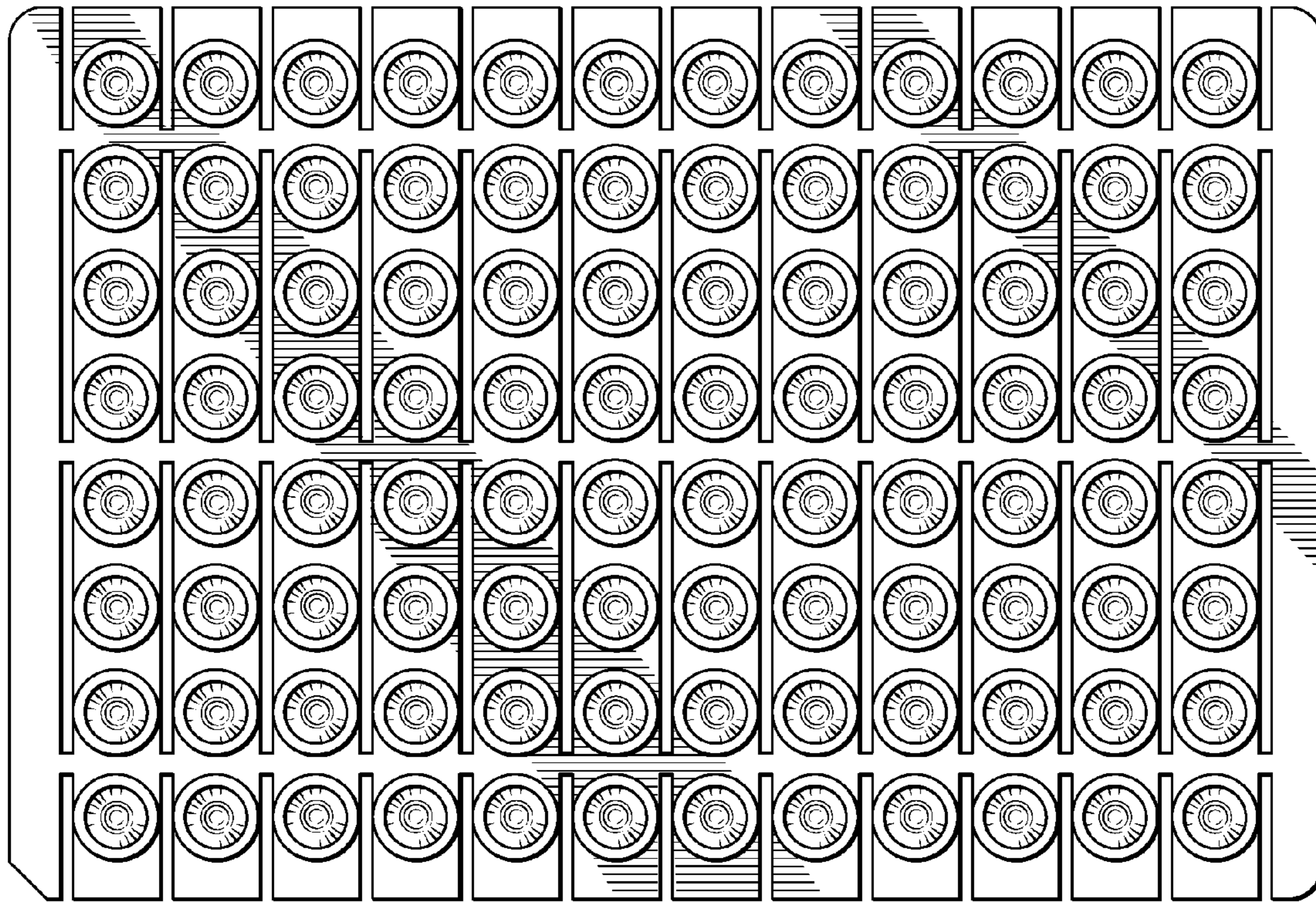


FIG. 1

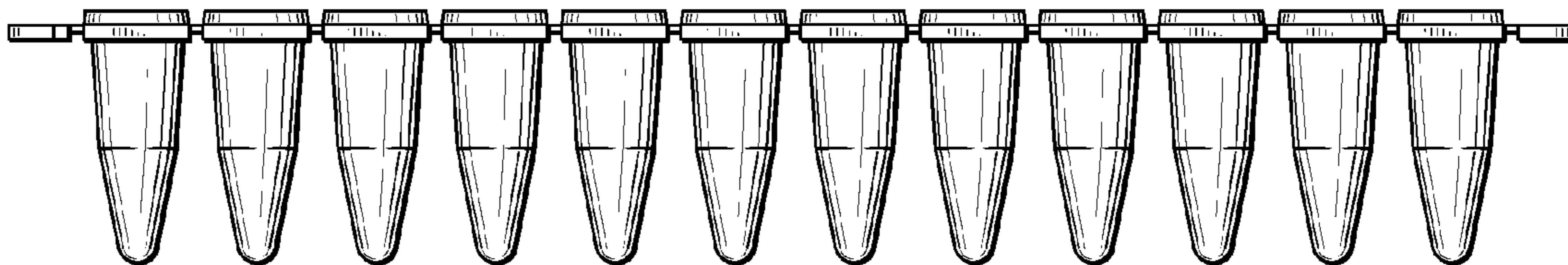


FIG. 2

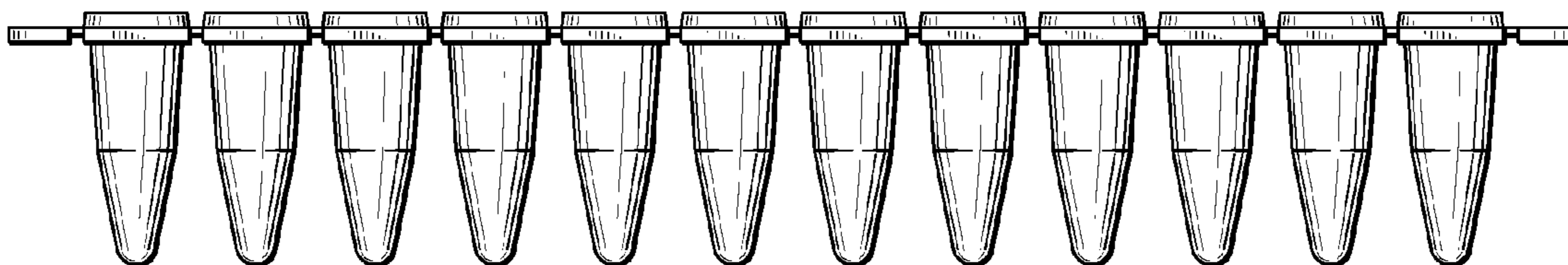


FIG. 3

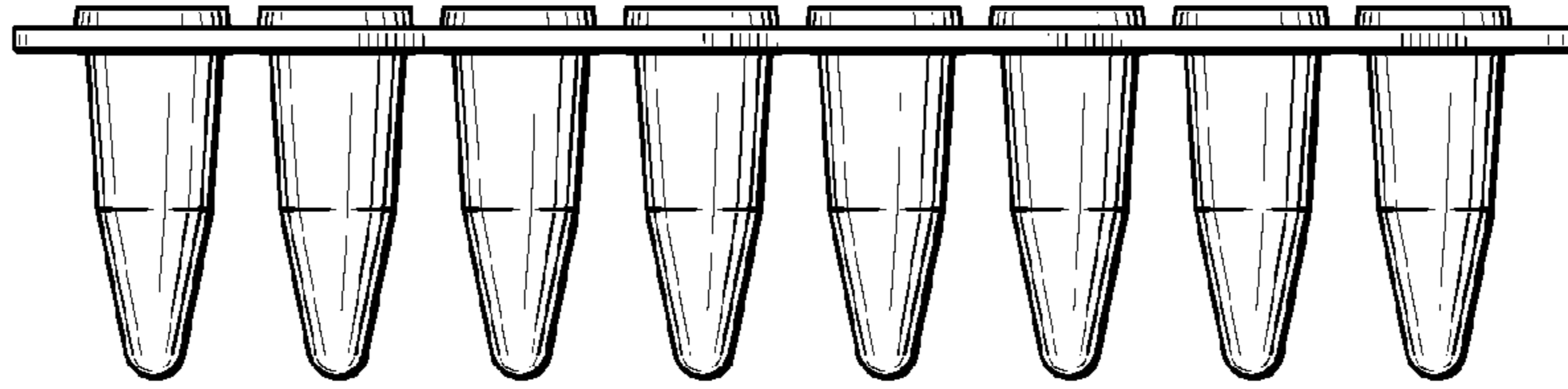


FIG. 4

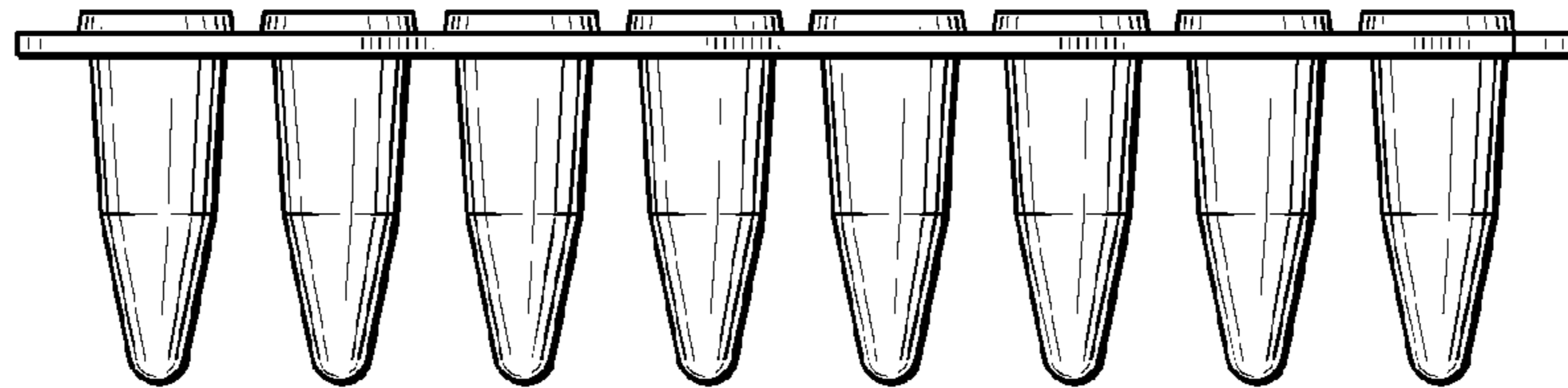


FIG. 5

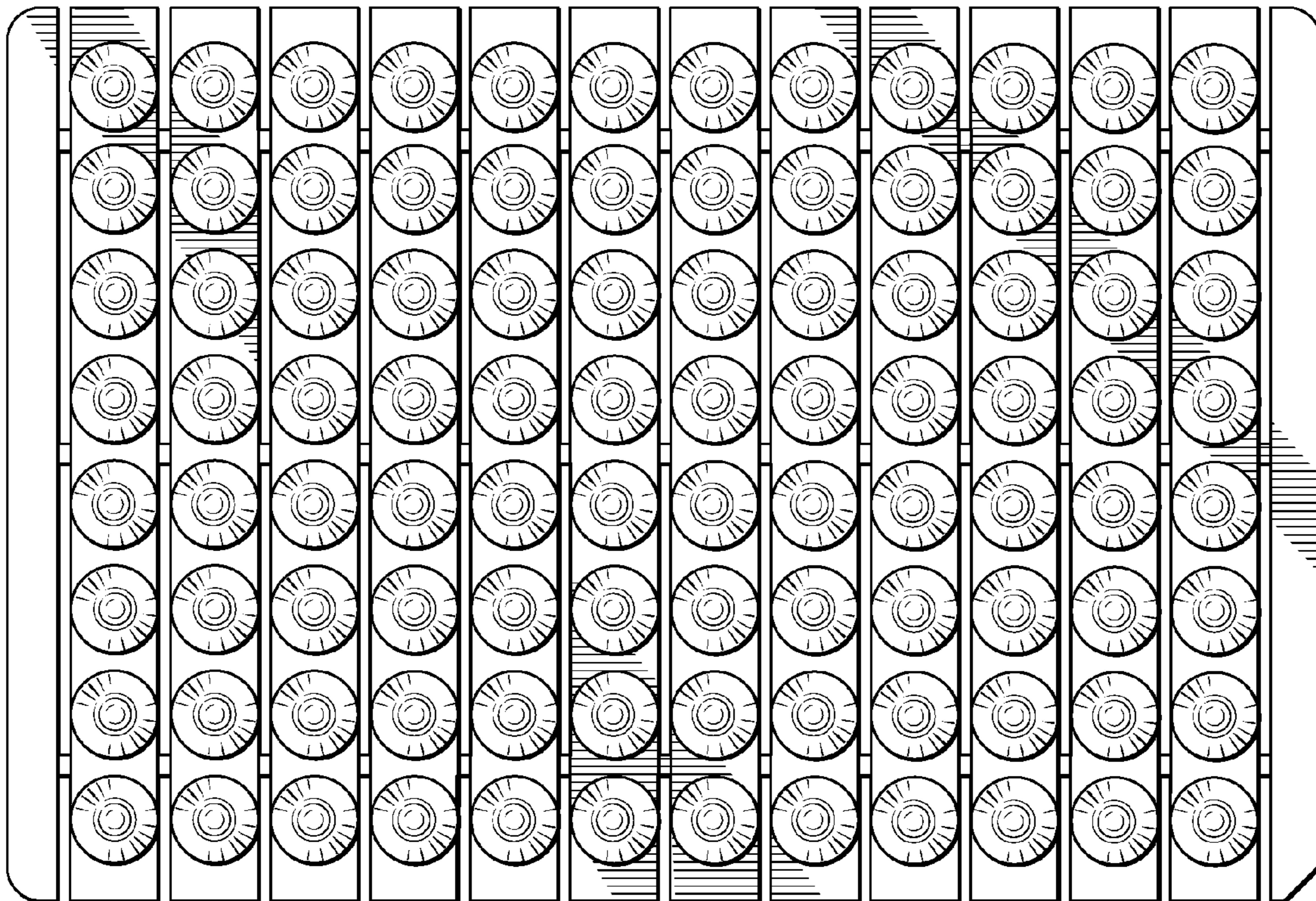
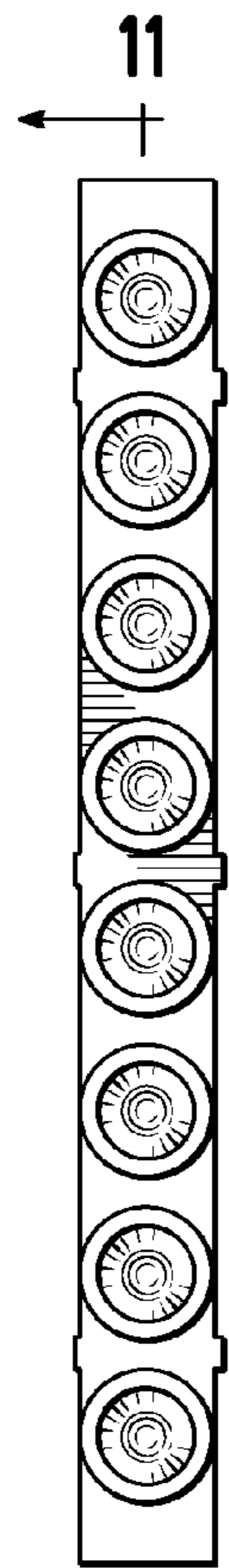


FIG. 6



11
FIG. 7

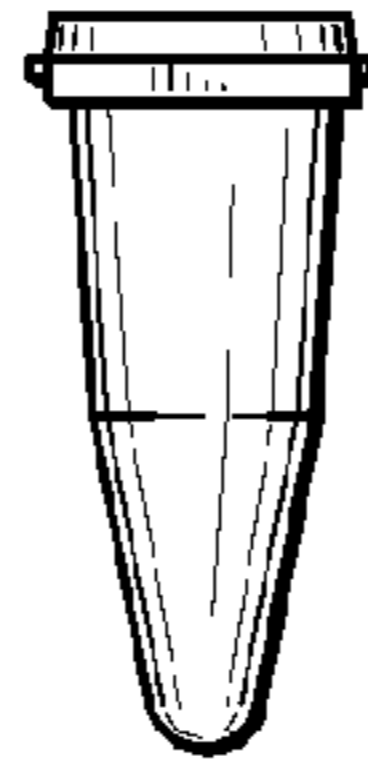


FIG. 8

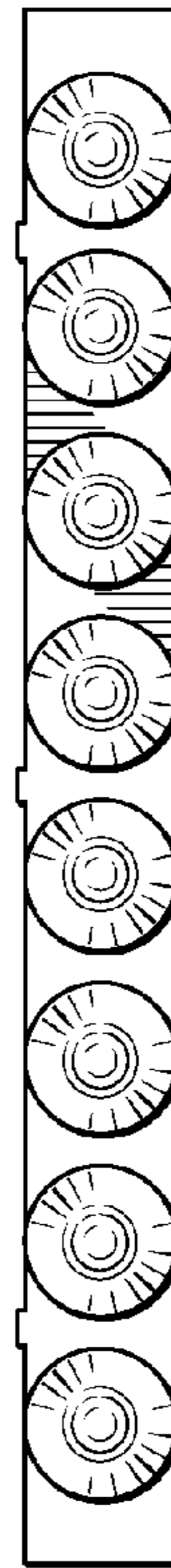


FIG. 10

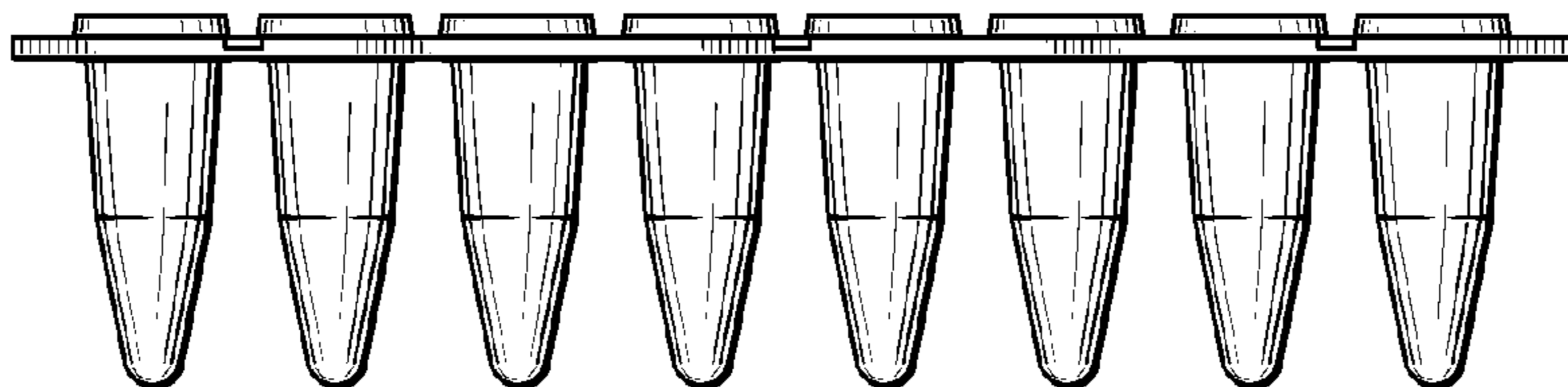


FIG. 9

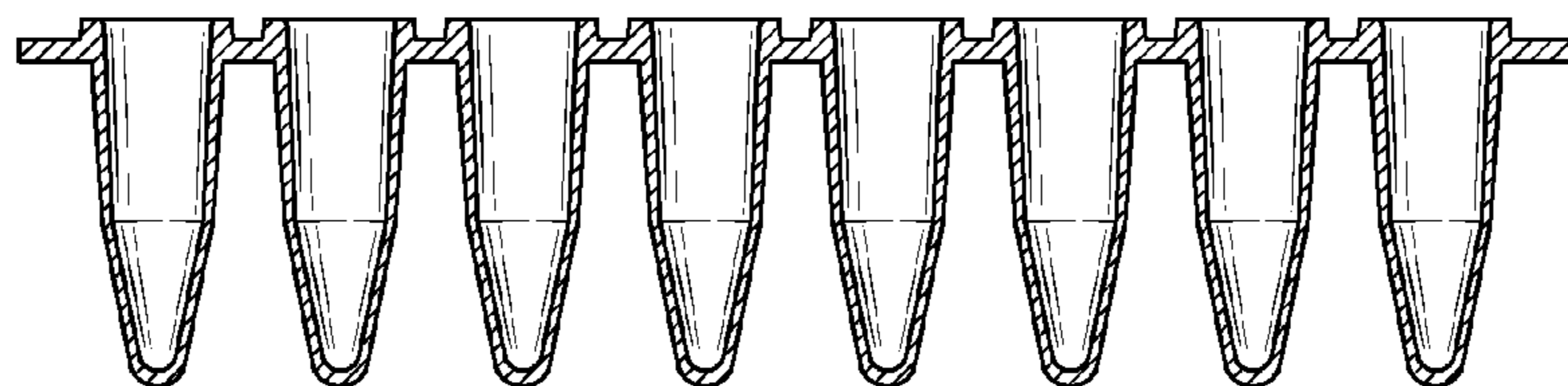


FIG. 11