



US00D608010S

(12) **United States Design Patent**
Moscovita et al.

(10) **Patent No.:** **US D608,010 S**
(45) **Date of Patent:** **** Jan. 12, 2010**

(54) **MANIFOLD FOR VASCULAR TESTING DEVICE**

D469,544 S * 1/2003 Lafond et al. D24/224
D502,775 S * 3/2005 Kokaisel D24/226
D597,216 S * 7/2009 McGuigan et al. D24/216

(75) Inventors: **Peter A Moscovita**, North Kingstown, RI (US); **Kevin Maloney**, North Kingstown, RI (US)

* cited by examiner

(73) Assignee: **Unetixs Vascular, Inc.**, North Kingstown, RI (US)

Primary Examiner—Elizabeth A Albert
Assistant Examiner—Kelley A Donnelly
(74) *Attorney, Agent, or Firm*—Barlow, Josephs & Holmes, Ltd.

(**) Term: **14 Years**

(57) **CLAIM**

(21) Appl. No.: **29/329,636**

The ornamental design for a manifold for vascular testing device, as shown and described.

(22) Filed: **Dec. 18, 2008**

(51) **LOC (9) Cl.** **24-02**

(52) **U.S. Cl.** **D24/216**

(58) **Field of Classification Search** D24/216–226,
D24/231–232; 422/73, 99, 102, 56, 58, 61,
422/63, 69

See application file for complete search history.

DESCRIPTION

FIG. 1 is a perspective view of a manifold for a vascular testing device, showing our new design;
FIG. 2 is a front view thereof;
FIG. 3 is a rear view thereof;
FIG. 4 is a bottom end view thereof;
FIG. 5 is a top end view thereof;
FIG. 6 is a left side view thereof; and,
FIG. 7 is a right side view thereof.

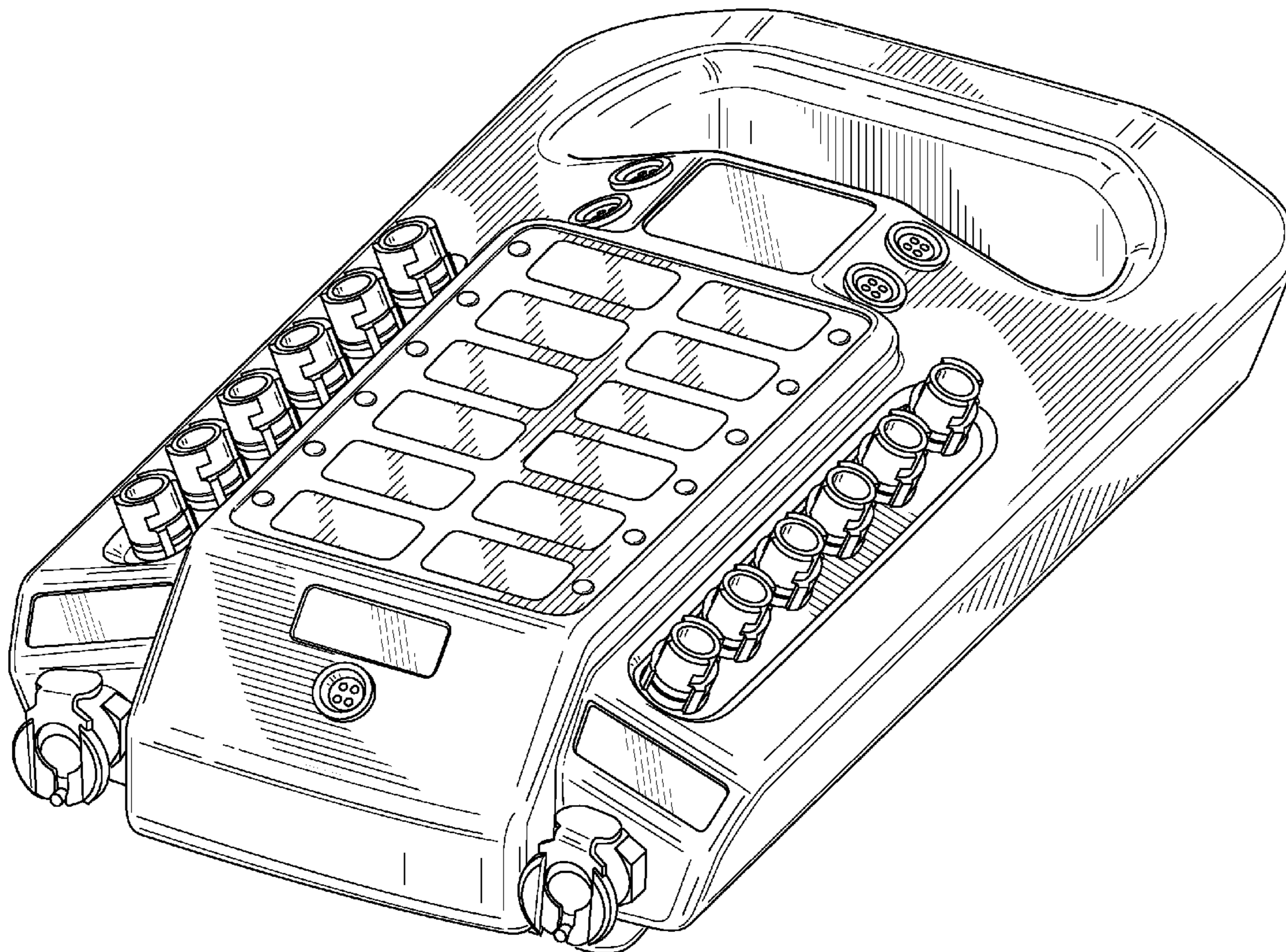
The broken line showing is for environmental purposes only and form no part of the claimed design.

(56) **References Cited**

U.S. PATENT DOCUMENTS

D281,903 S * 12/1985 Duffy D24/225
D296,086 S * 6/1988 Thompson D10/75
D309,867 S * 8/1990 Johnson D10/81
D346,753 S * 5/1994 Barbookles et al. D10/81
D361,129 S * 8/1995 Collins et al. D24/169
D363,676 S * 10/1995 Anderson et al. D10/75

1 Claim, 6 Drawing Sheets



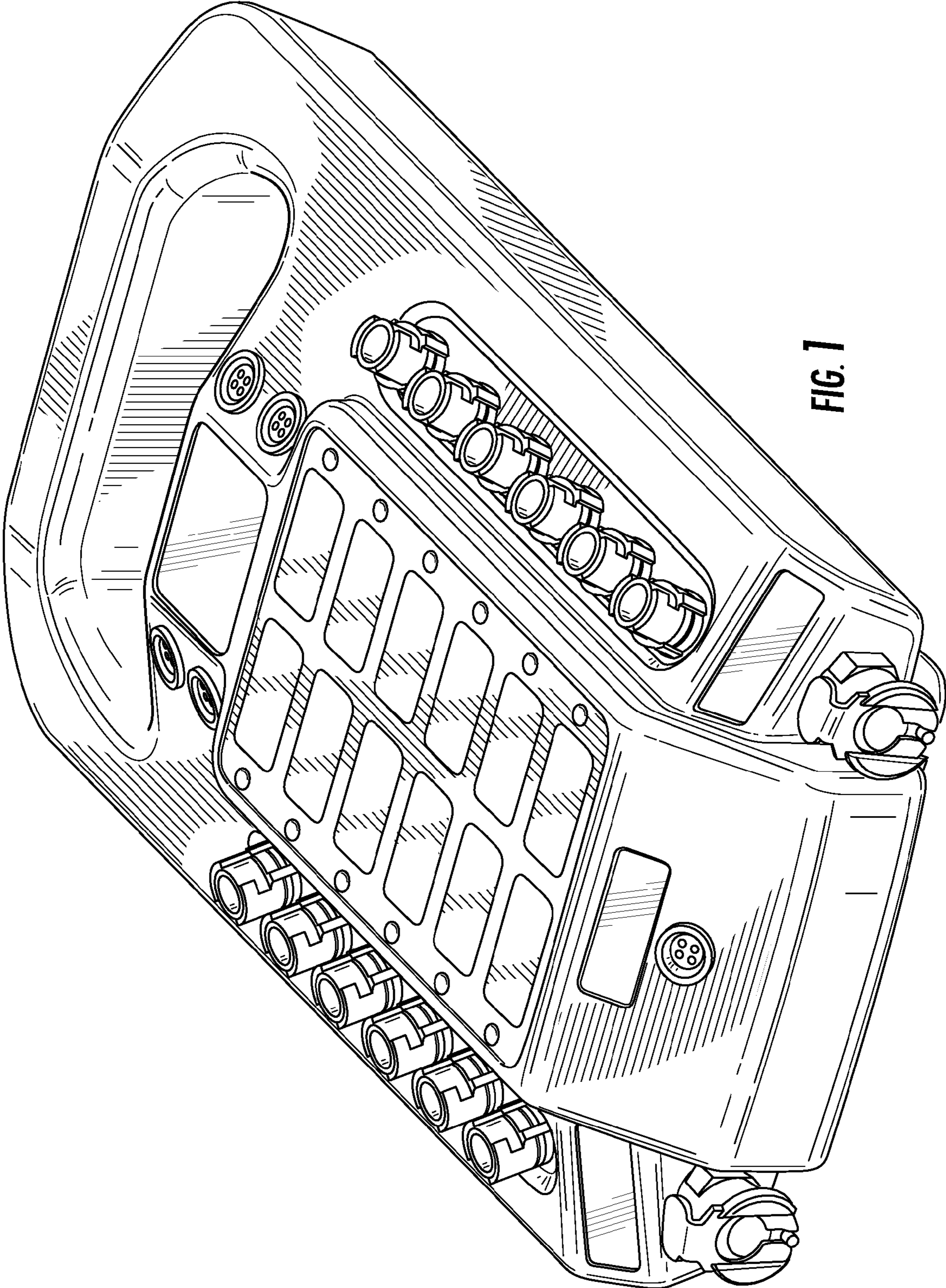


FIG. 1

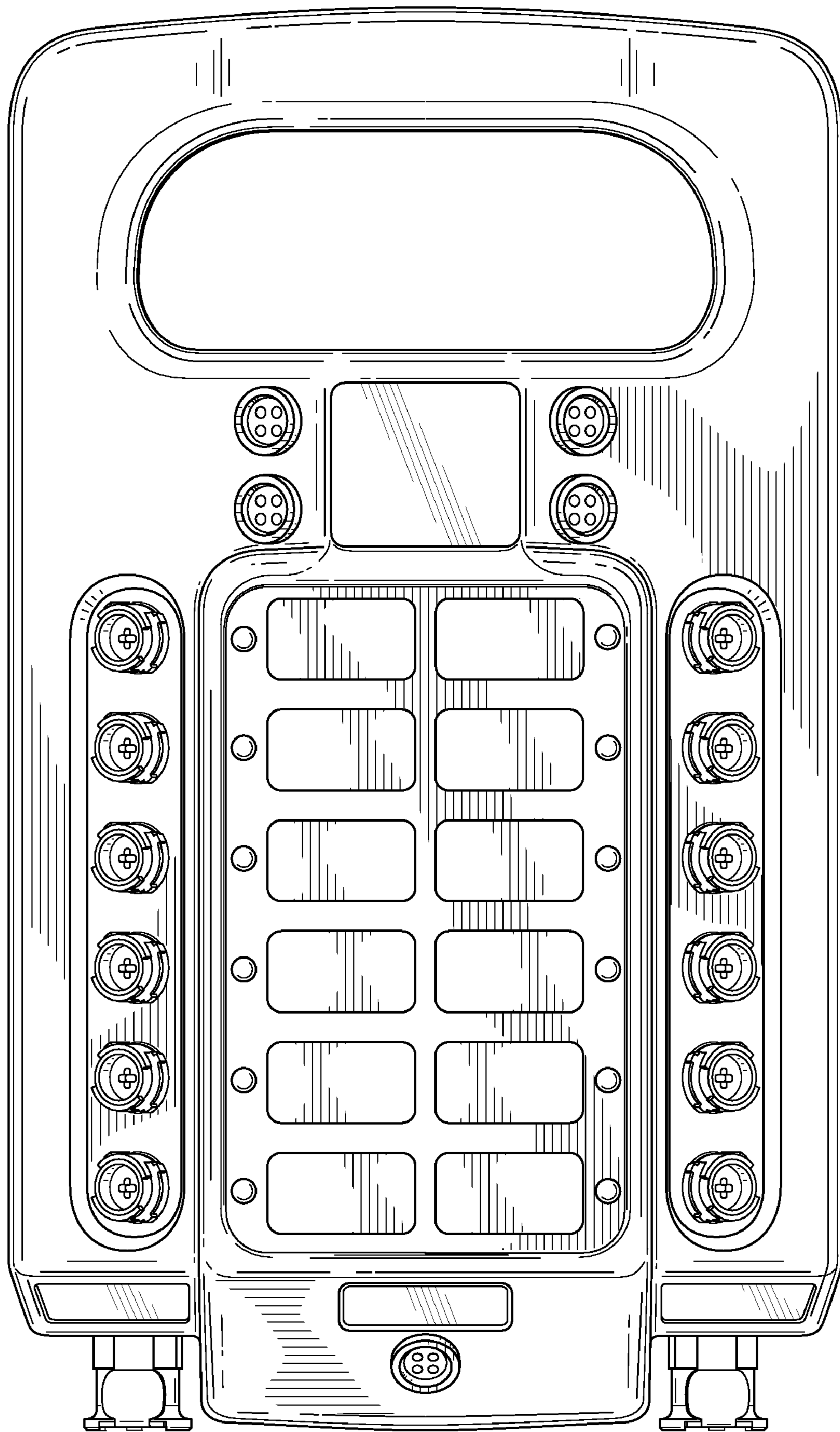


FIG. 2

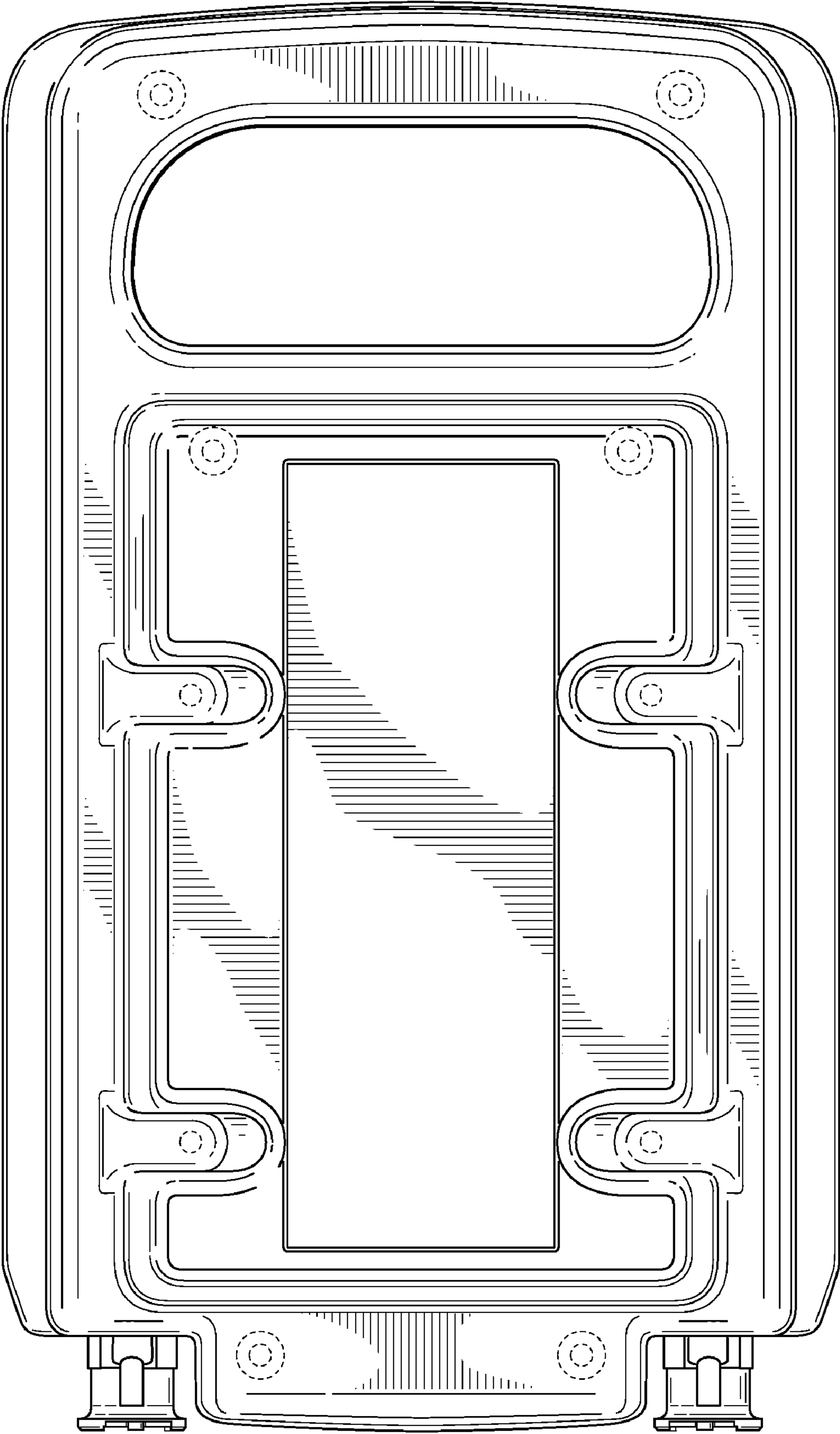


FIG. 3

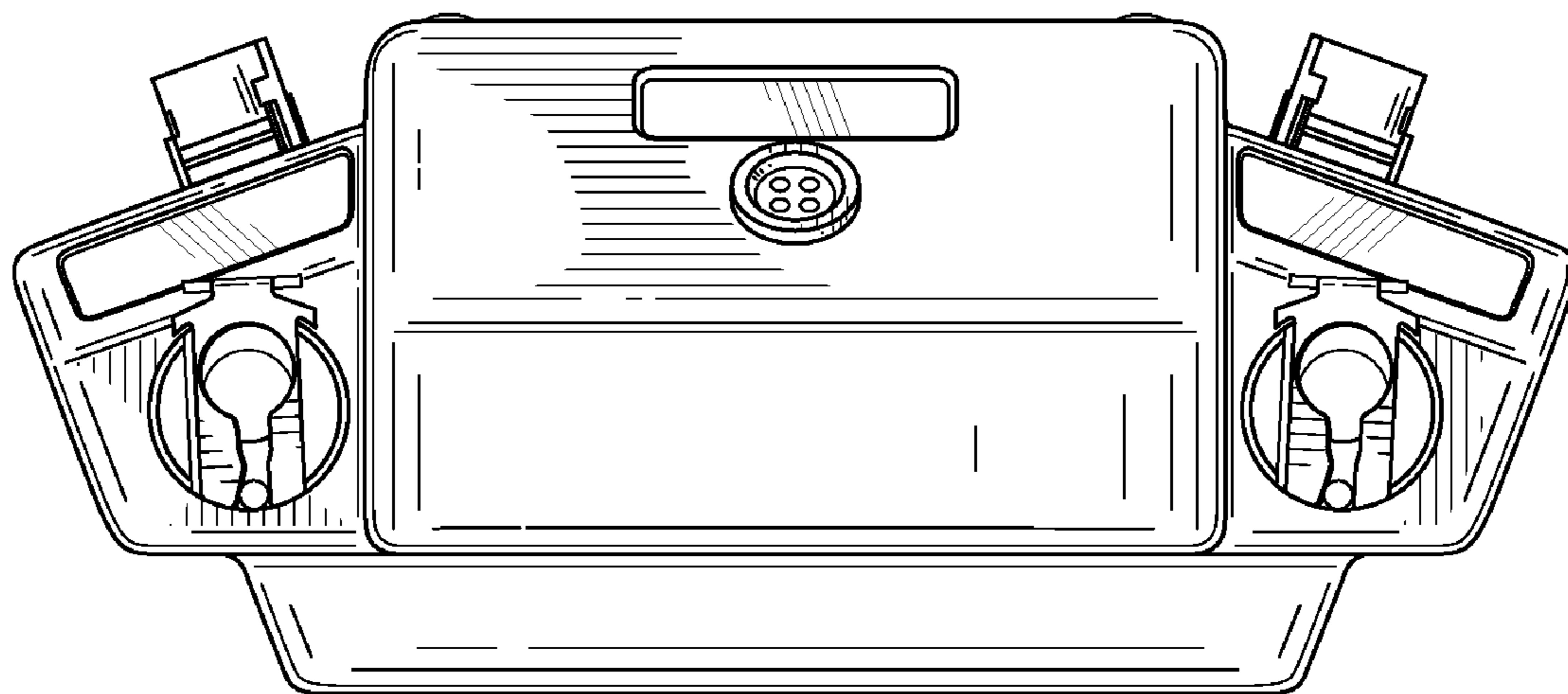


FIG. 4

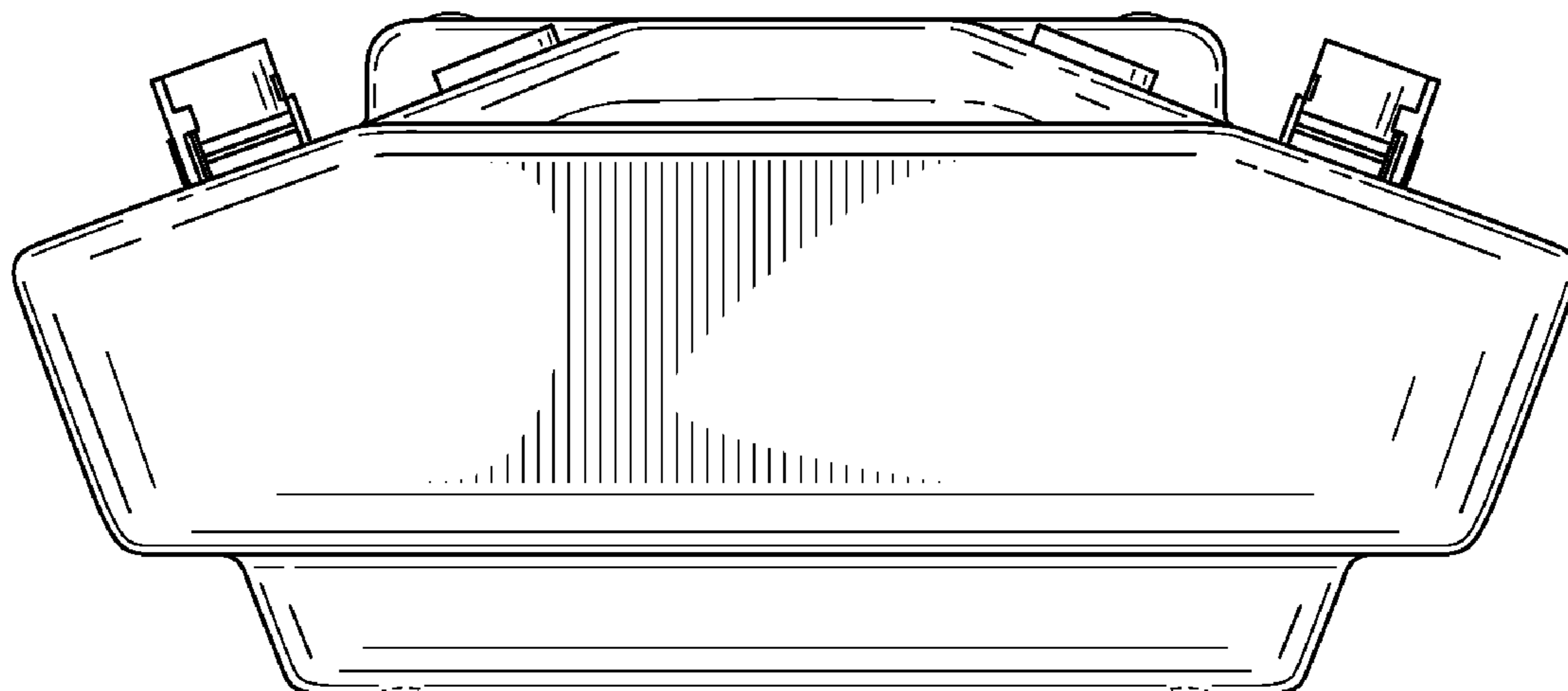


FIG. 5

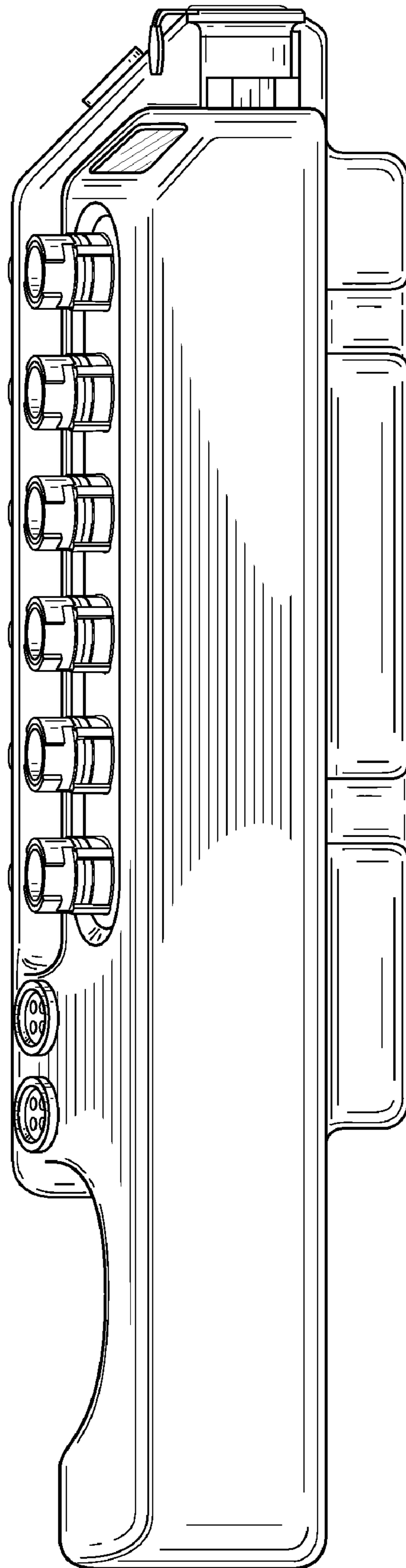


FIG. 6

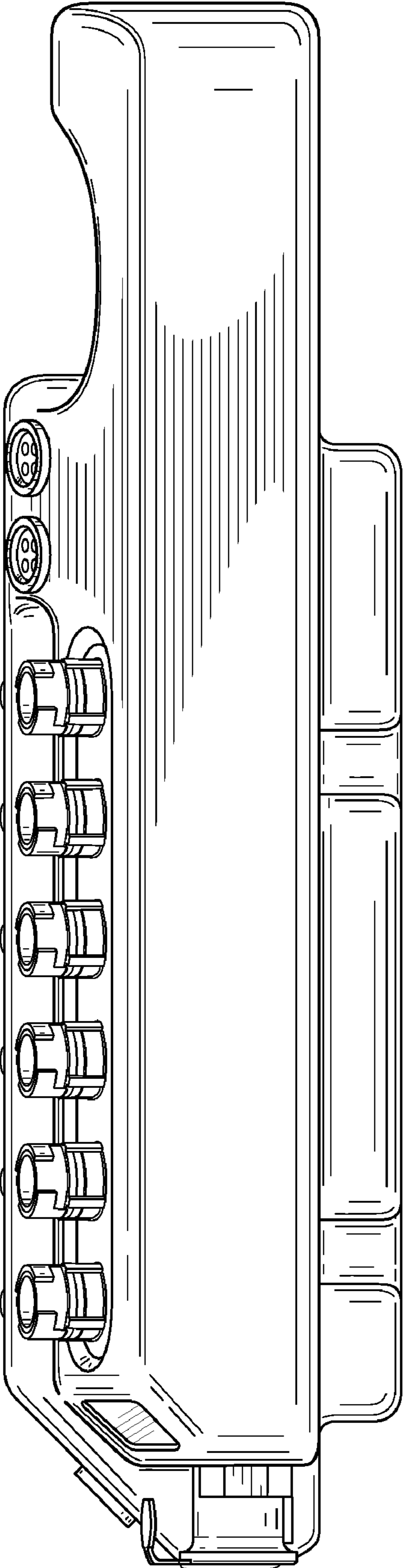


FIG. 7