



US00D608009S

(12) **United States Design Patent**  
**Vogtner et al.**

(10) **Patent No.:** **US D608,009 S**  
(45) **Date of Patent:** **\*\* Jan. 12, 2010**

(54) **CLUSTER JET**

2009/0193574 A1\* 8/2009 Holtsnider ..... 4/541.6

(75) Inventors: **Zack Vogtner**, Atlanta, GA (US); **Lody Chandra**, Las Vegas, NV (US)

\* cited by examiner

(73) Assignee: **Custom Molded Products**, Tyrone, GA (US)

*Primary Examiner*—Ian Simmons

*Assistant Examiner*—Wan Laymon

(74) *Attorney, Agent, or Firm*—Smith, Gambrell & Russell

(\*\*) Term: **14 Years**

(57) **CLAIM**

(21) Appl. No.: **29/284,019**

The ornamental design for a cluster jet, as shown and described.

(22) Filed: **Aug. 29, 2007**

**DESCRIPTION**

(51) **LOC (9) Cl.** ..... **24-04**

FIG. 1 is a perspective view of the cluster jet of the present design.

(52) **U.S. Cl.** ..... **D24/204; D23/213**

FIG. 2 is a left side elevation view of the design of FIG. 1.

(58) **Field of Classification Search** ..... D24/201,  
D24/204–205; D23/213, 259, 262, 277;  
4/541.6, 492, 496; 239/578.1, 591, 423,  
239/262

FIG. 3 is a bottom plan view of the design of FIG. 1.

FIG. 4 is a top plan view of the design of FIG. 1.

See application file for complete search history.

FIG. 5 is a right side elevation view of the design of FIG. 1.

FIG. 6 is a front elevation view of the design of FIG. 1; and,

FIG. 7 is a rear elevation view of the design of FIG. 1.

(56) **References Cited**

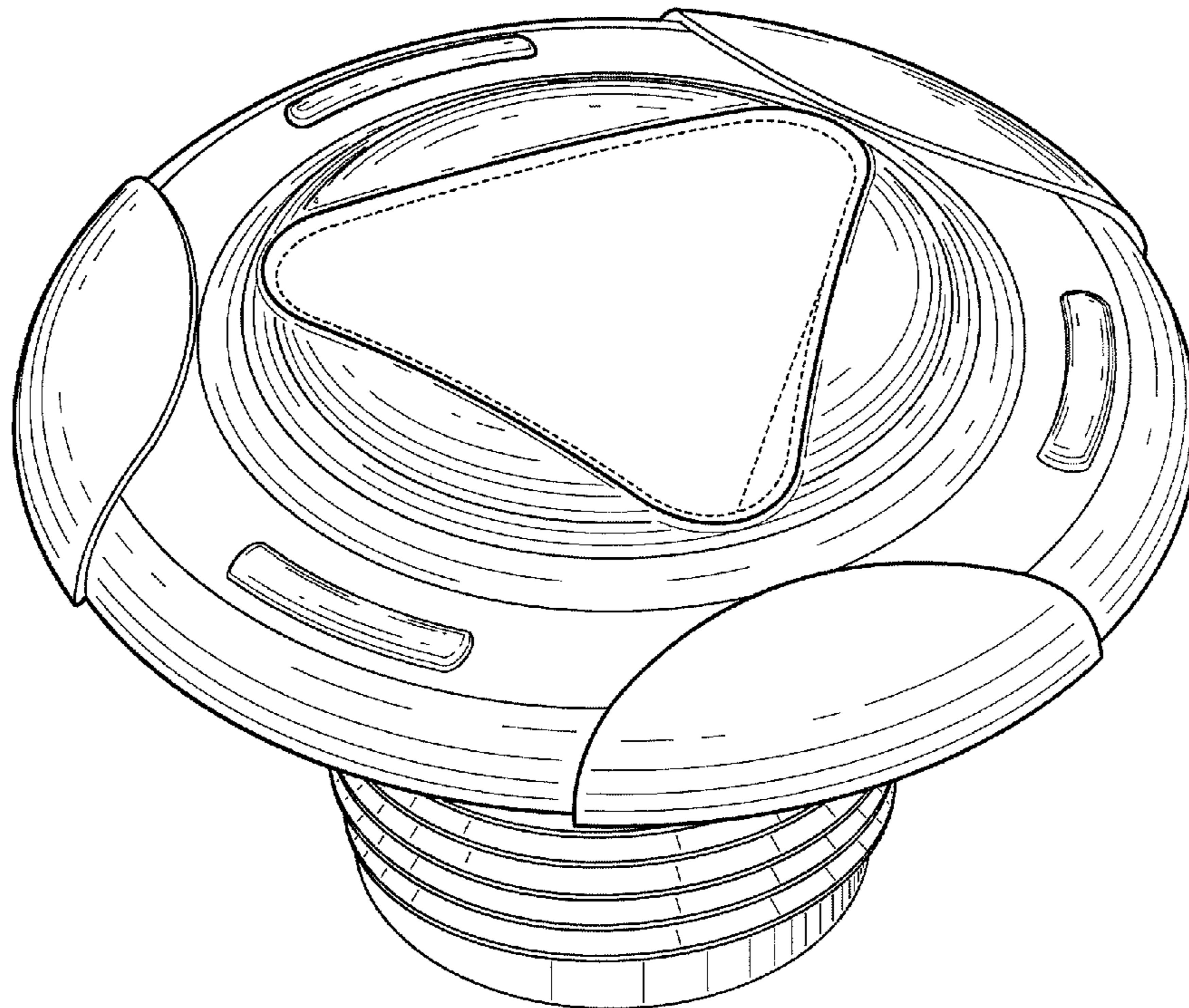
The broken line showing portions of a cluster jet is included for the purpose of illustrating environmental structure and forms no part of the claimed design.

**U.S. PATENT DOCUMENTS**

D259,735 S *	6/1981	Moreland	.....	D23/213
4,349,923 A *	9/1982	Chalberg	.....	4/541.6
4,562,964 A *	1/1986	Diamond	.....	239/288.5
4,581,781 A *	4/1986	Ebert	.....	4/541.3
D284,604 S *	7/1986	Mathis	.....	D23/260
4,731,887 A *	3/1988	Henkin et al.	.....	4/541.4
4,827,539 A *	5/1989	Kiziah	.....	4/252.4
D301,731 S *	6/1989	Allen et al.	.....	D23/213
5,291,621 A *	3/1994	Mathis	.....	4/541.4

The Dash Dash lines immediately adjacent to the full line as seen in FIGS. 1 and 4 in the nozzle represent the boundaries of the claimed design. None of these dashed lines from any part of the claimed design.

**1 Claim, 7 Drawing Sheets**



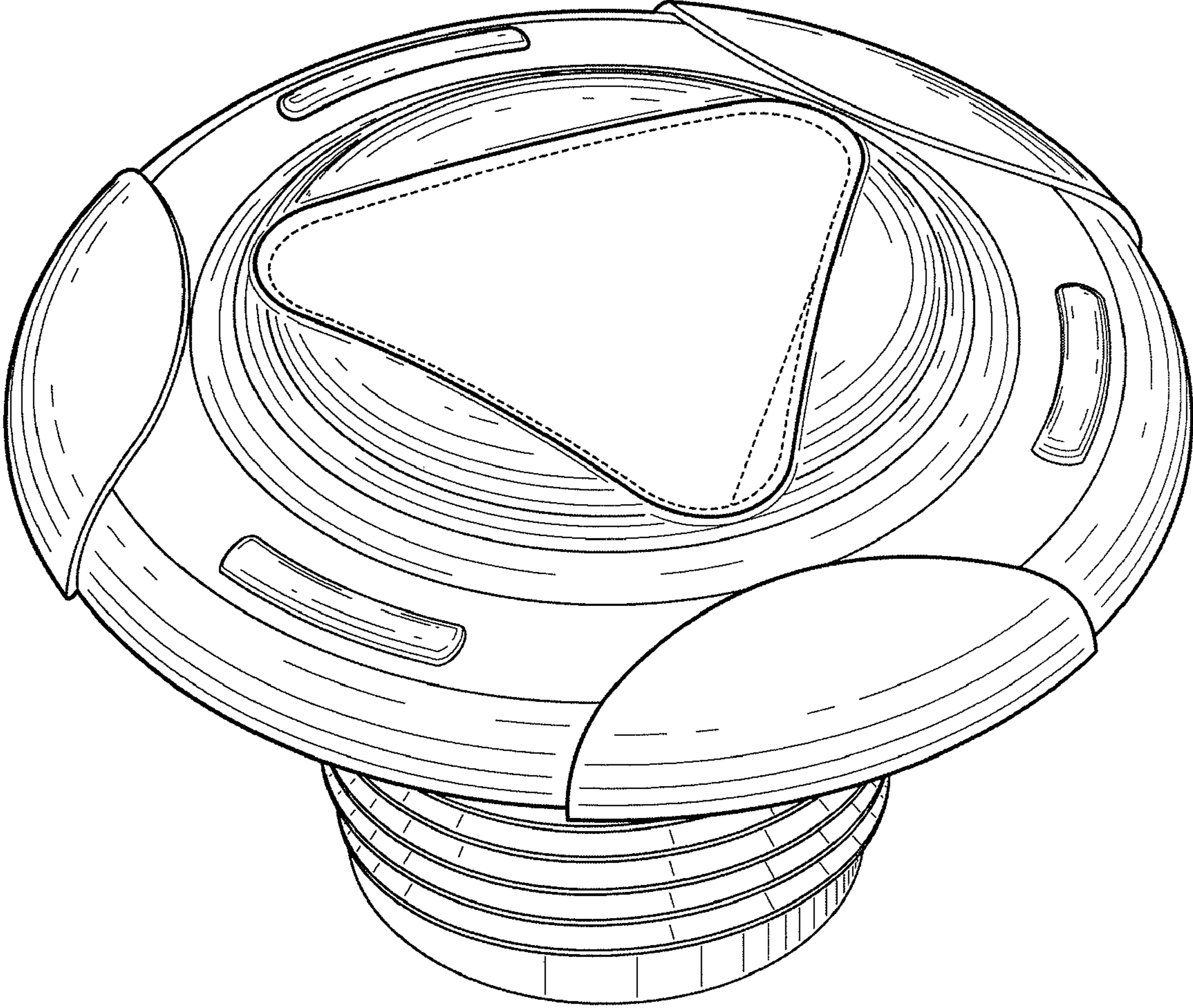
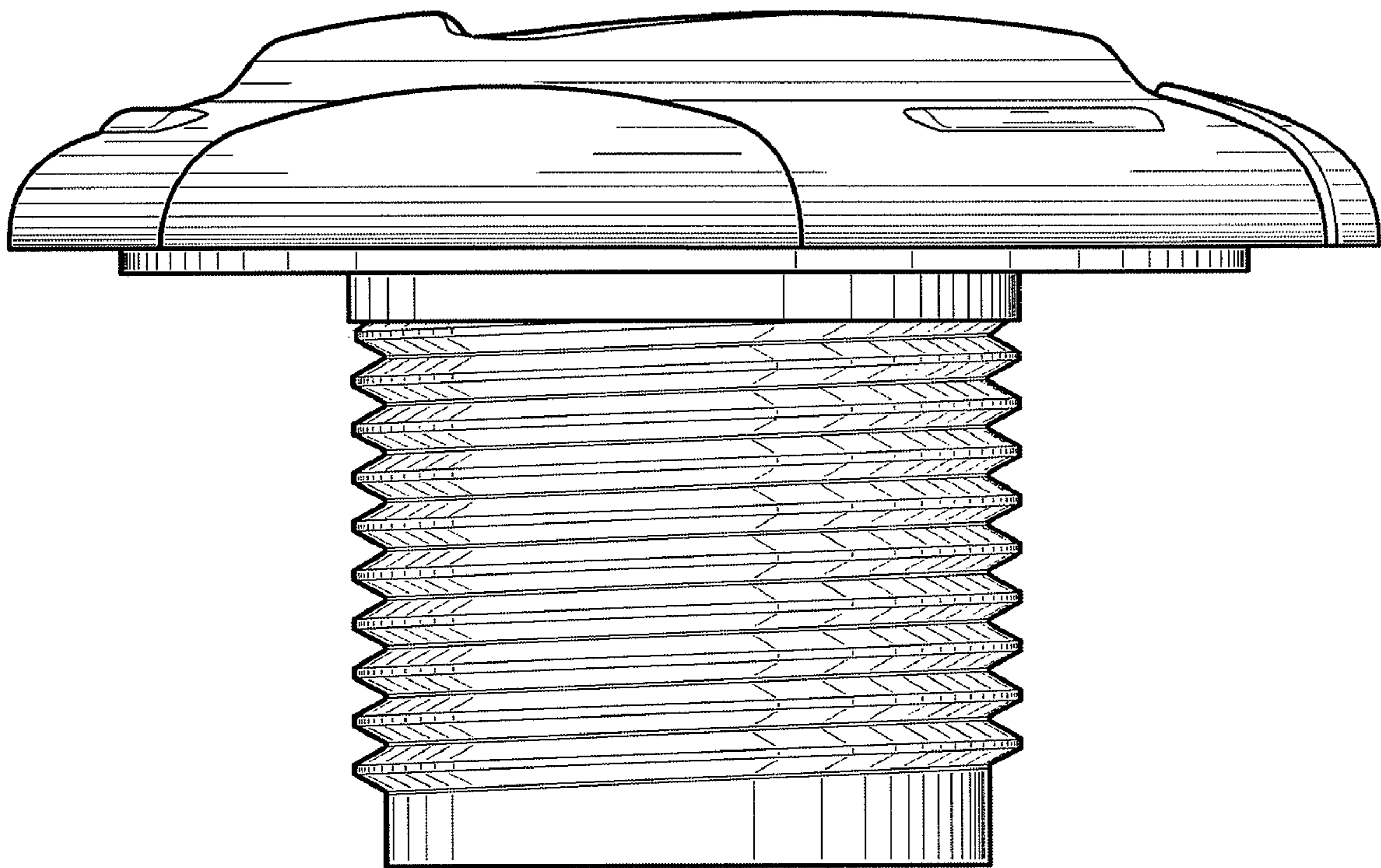


FIG. 1



**FIG. 2**

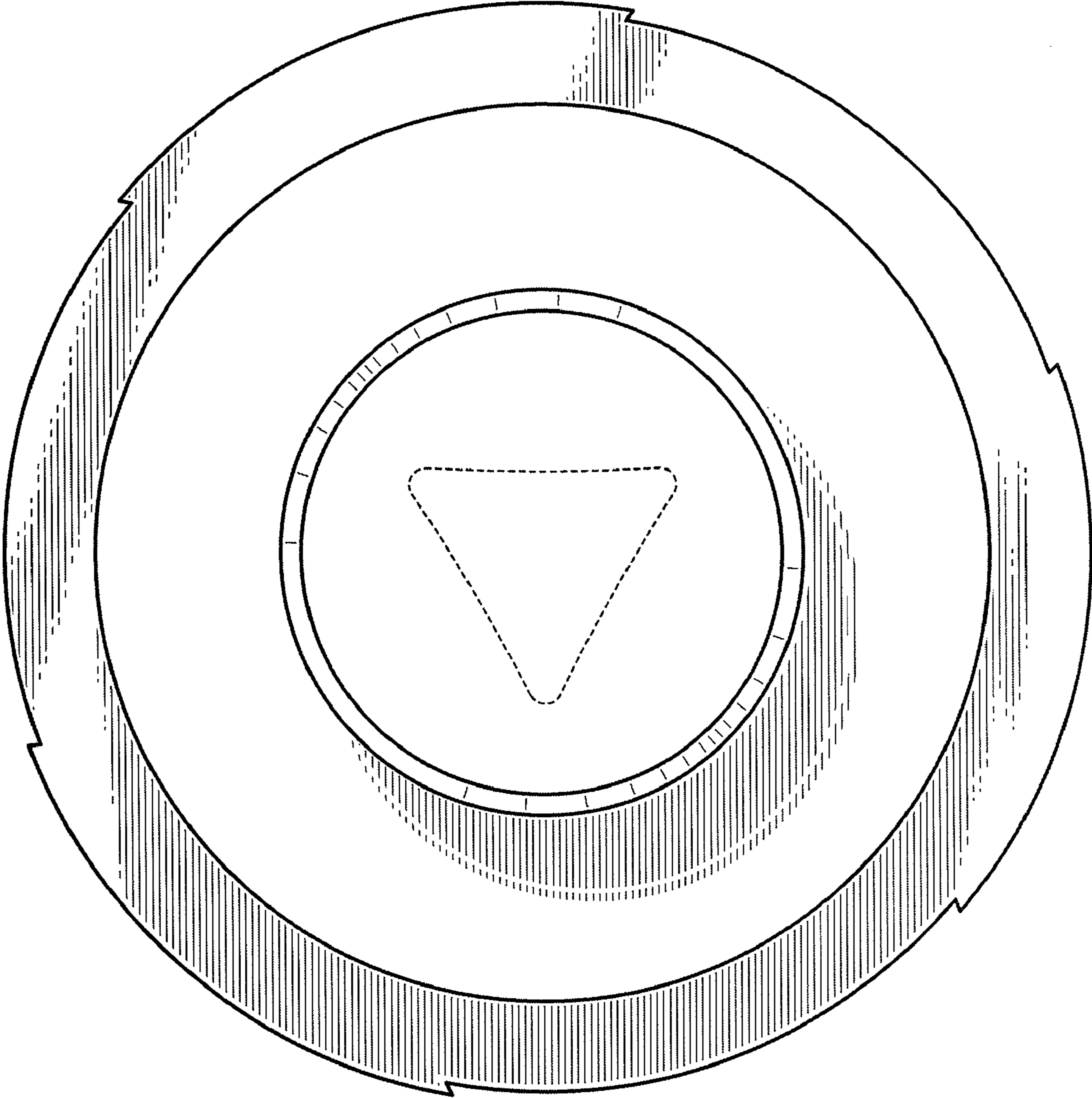
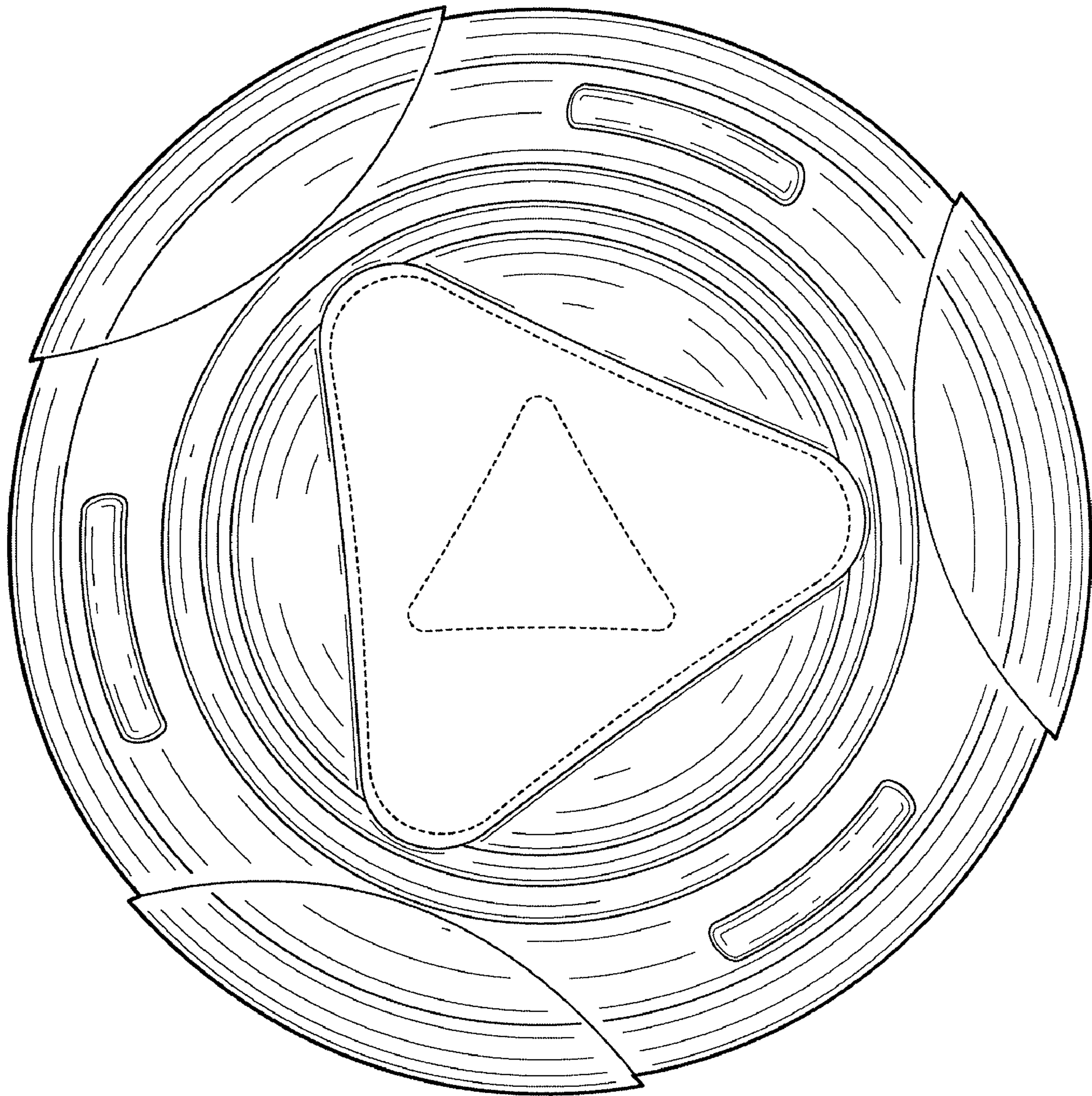


FIG. 3



**FIG. 4**

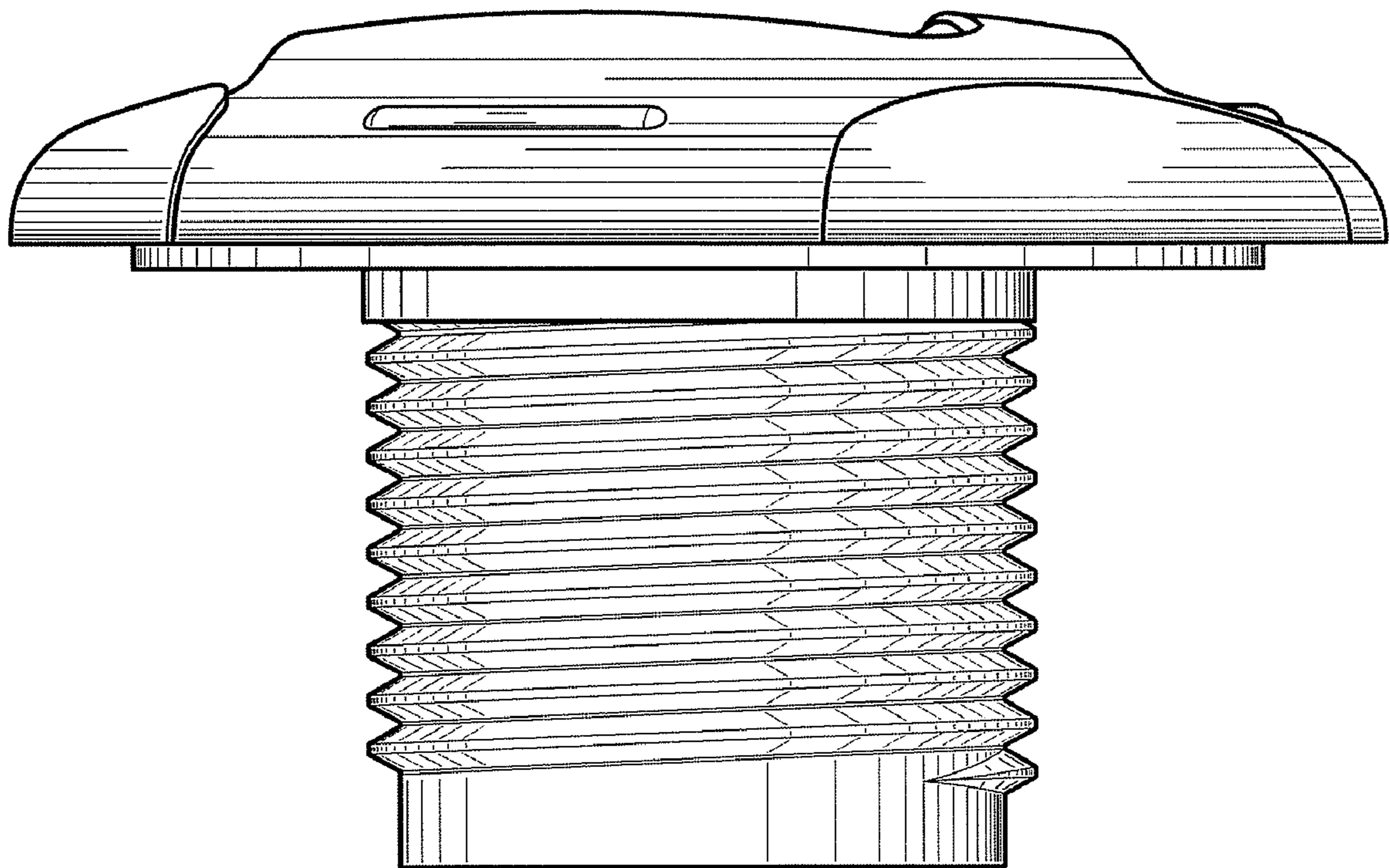


FIG. 5

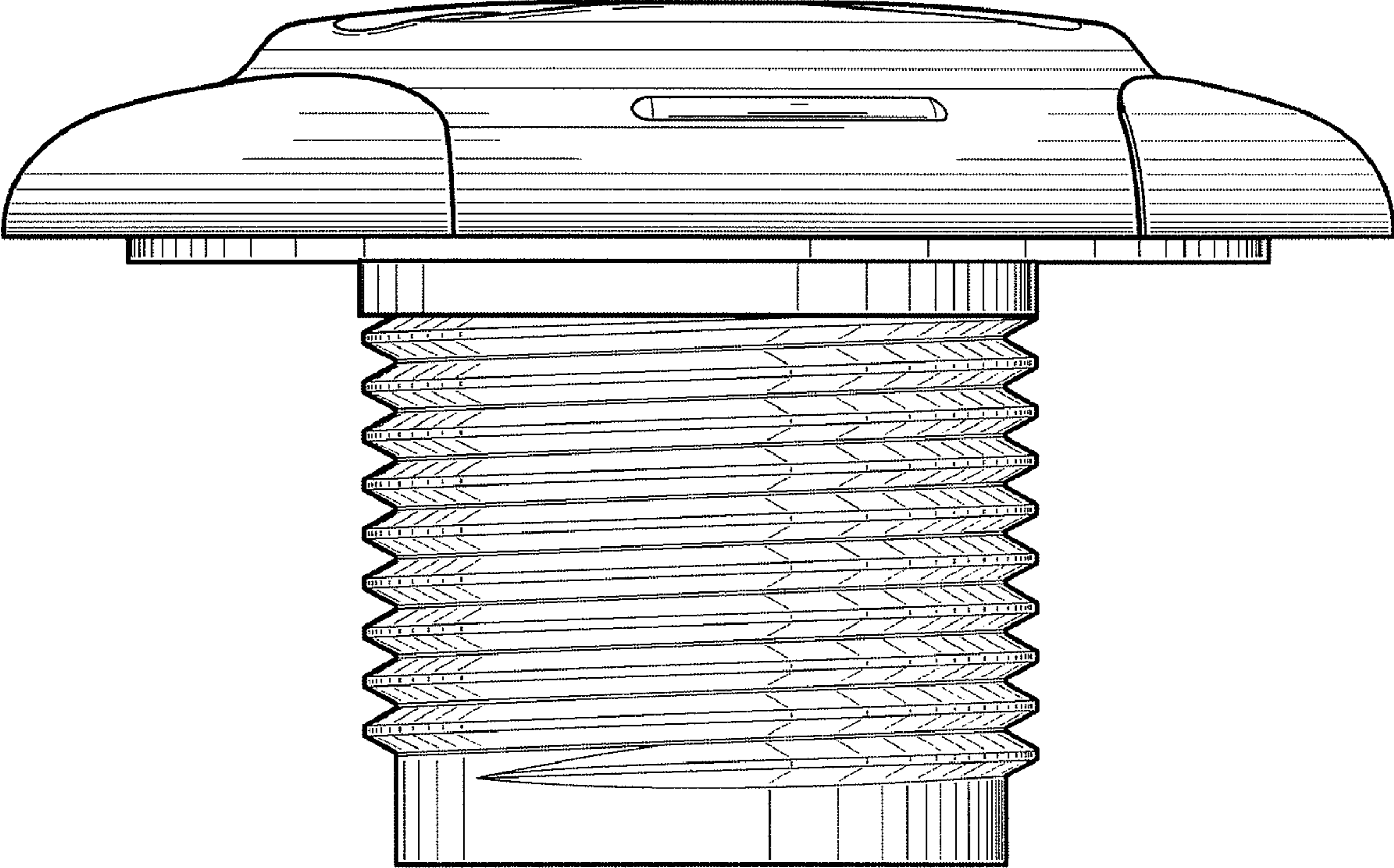


FIG. 6

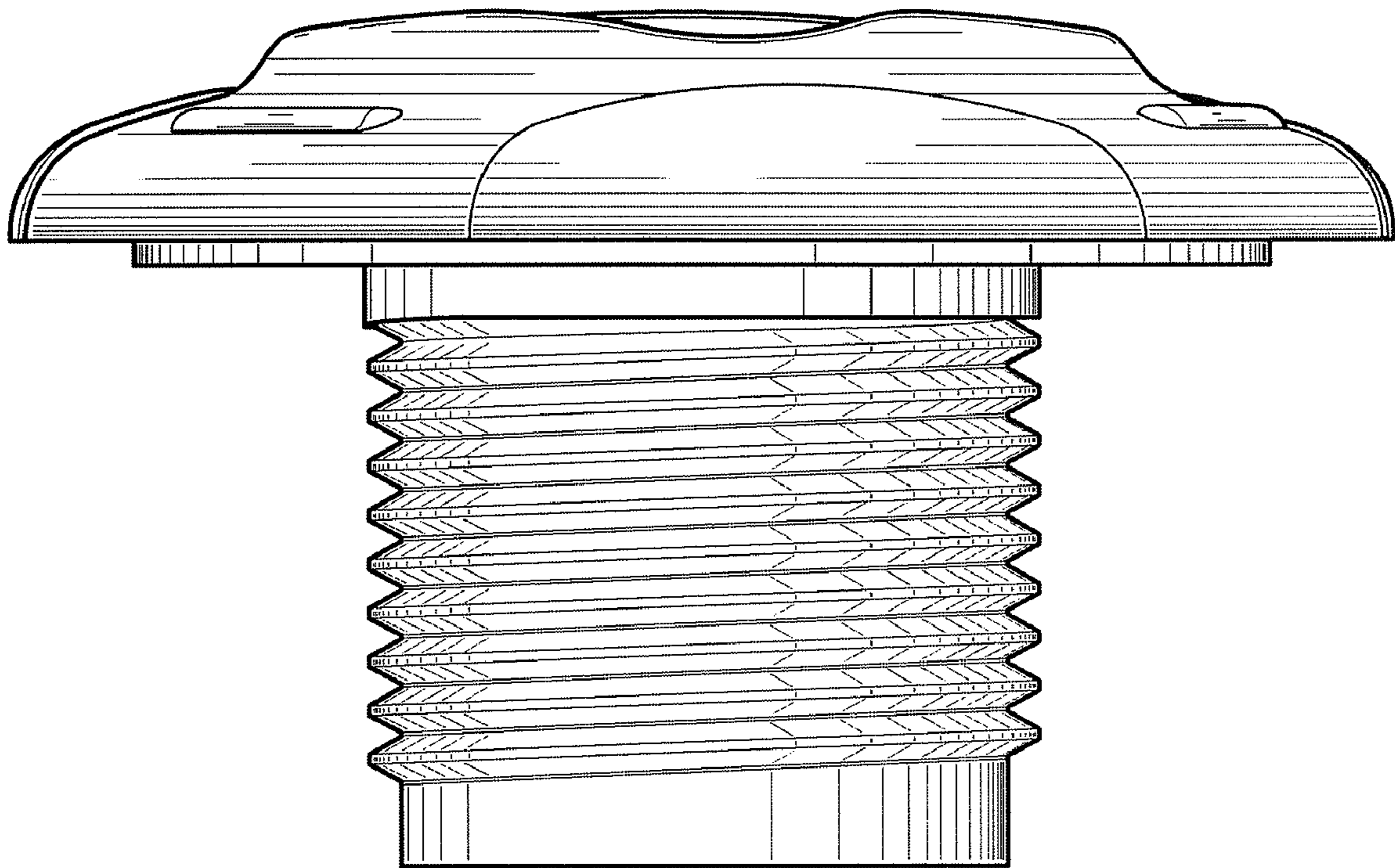


FIG. 7