



US00D608005S

(12) **United States Design Patent**
Oohashi

(10) **Patent No.:** **US D608,005 S**
(45) **Date of Patent:** **** Jan. 12, 2010**

(54) **GLUCOSE METER**

(75) Inventor: **Hiroataka Oohashi**, Tokyo (JP)

(73) Assignee: **Terumo Kabushiki Kaisha**, Tokyo (JP)

(**) Term: **14 Years**

(21) Appl. No.: **29/311,348**

(22) Filed: **Feb. 27, 2009**

(30) **Foreign Application Priority Data**

Sep. 1, 2008 (JP) 2008-022491

(51) **LOC (9) Cl.** **24-01**

(52) **U.S. Cl.** **D24/169**

(58) **Field of Classification Search** D24/165-169,
D24/186; D10/78, 81; 600/309, 316, 322,
600/365, 368; 422/58, 61, 68.1

See application file for complete search history.

(56) **References Cited**

U.S. PATENT DOCUMENTS

D424,696 S * 5/2000 Ray et al. D24/169
D493,536 S * 7/2004 Jaeck et al. D24/169
D545,439 S * 6/2007 Draudt et al. D24/186
D585,993 S * 2/2009 Kousuge D24/186
D587,810 S * 3/2009 Weber et al. D24/186

2005/0003470 A1 * 1/2005 Nelson et al. 600/365
2005/0201897 A1 * 9/2005 Zimmer et al. 422/58

* cited by examiner

Primary Examiner—T. Chase Nelson

Assistant Examiner—Anhdao Doan

(74) *Attorney, Agent, or Firm*—Jean C. Edwards, Esq.;
Akerman Senterfitt

(57) **CLAIM**

The ornamental design for a glucose meter, as shown and described.

DESCRIPTION

FIG. 1 is a perspective view of the front, left and bottom of a glucose meter showing my new design;

FIG. 2 is a front view thereof;

FIG. 3 is a rear view thereof;

FIG. 4 is a top plan view thereof;

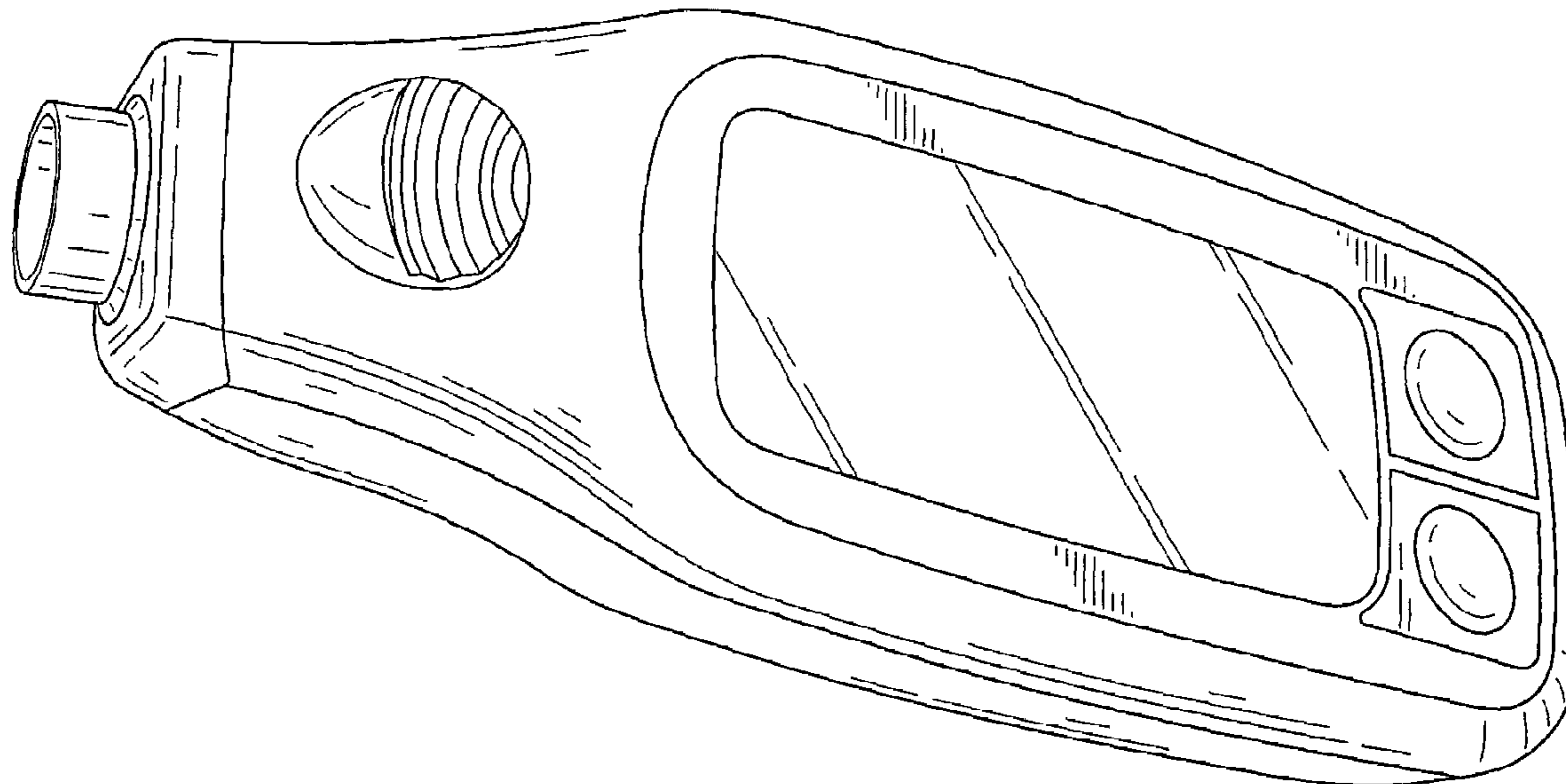
FIG. 5 is a bottom view thereof;

FIG. 6 is a right side view thereof; and,

FIG. 7 is a left side view thereof.

The broken lines in FIGS. 4 and 6 views represent portions of the glucose meter that form no part of the claimed design.

1 Claim, 4 Drawing Sheets



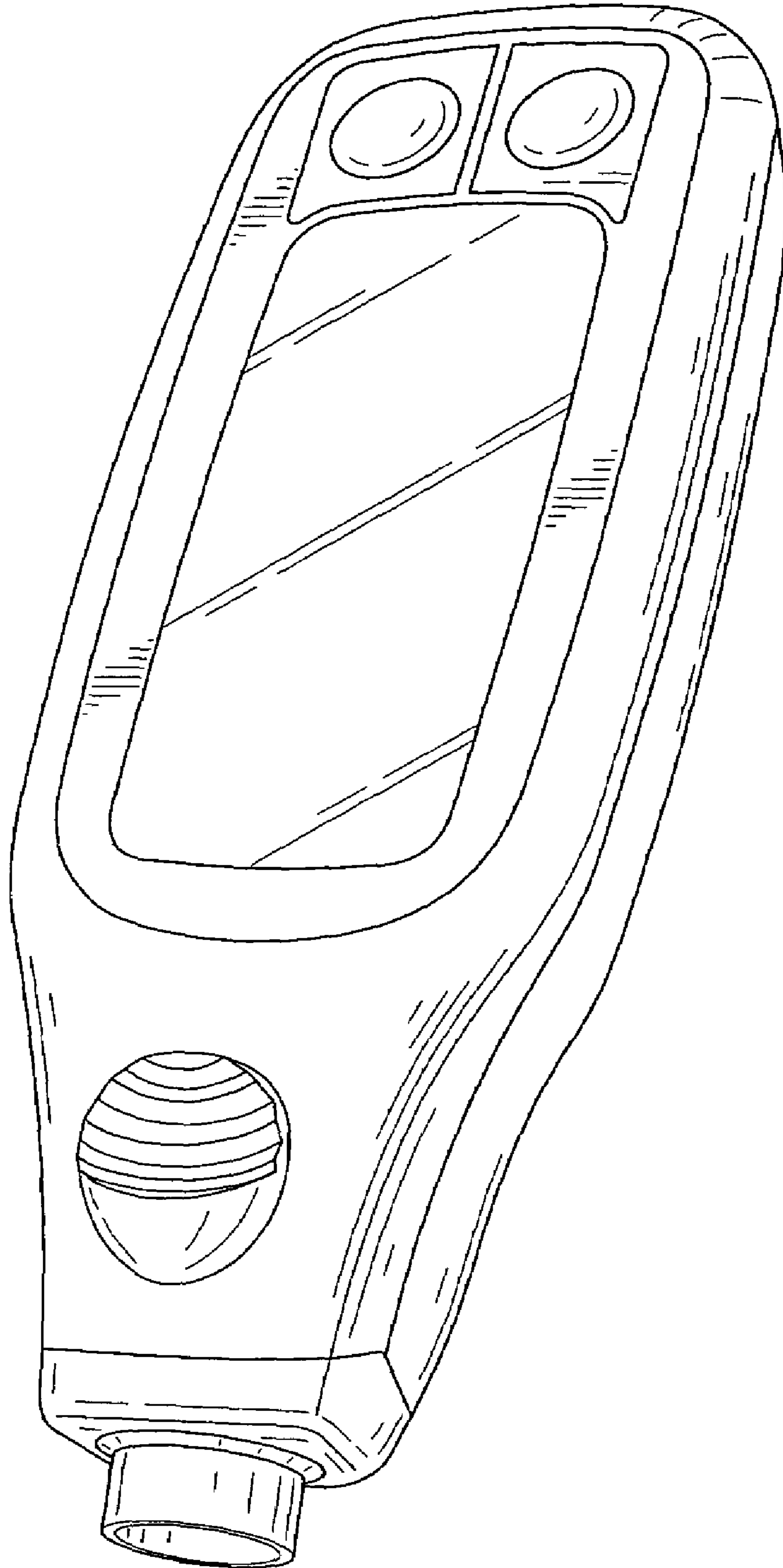


FIG. 1

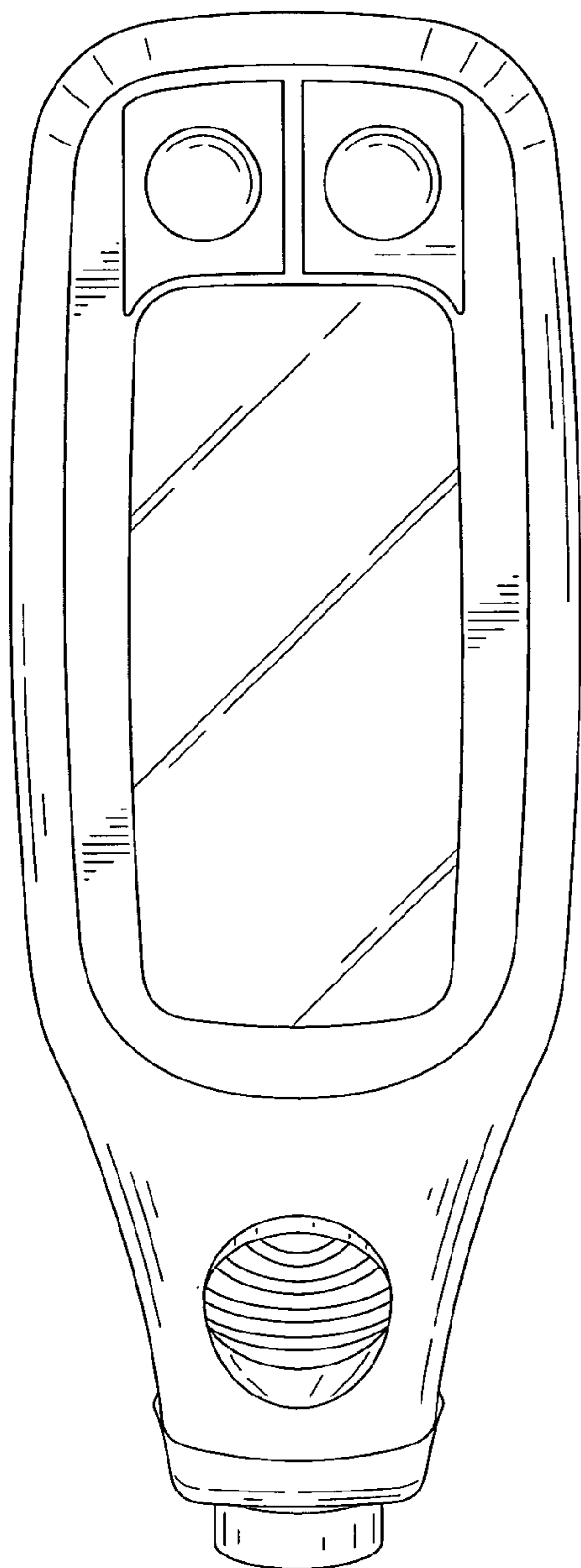


FIG. 2

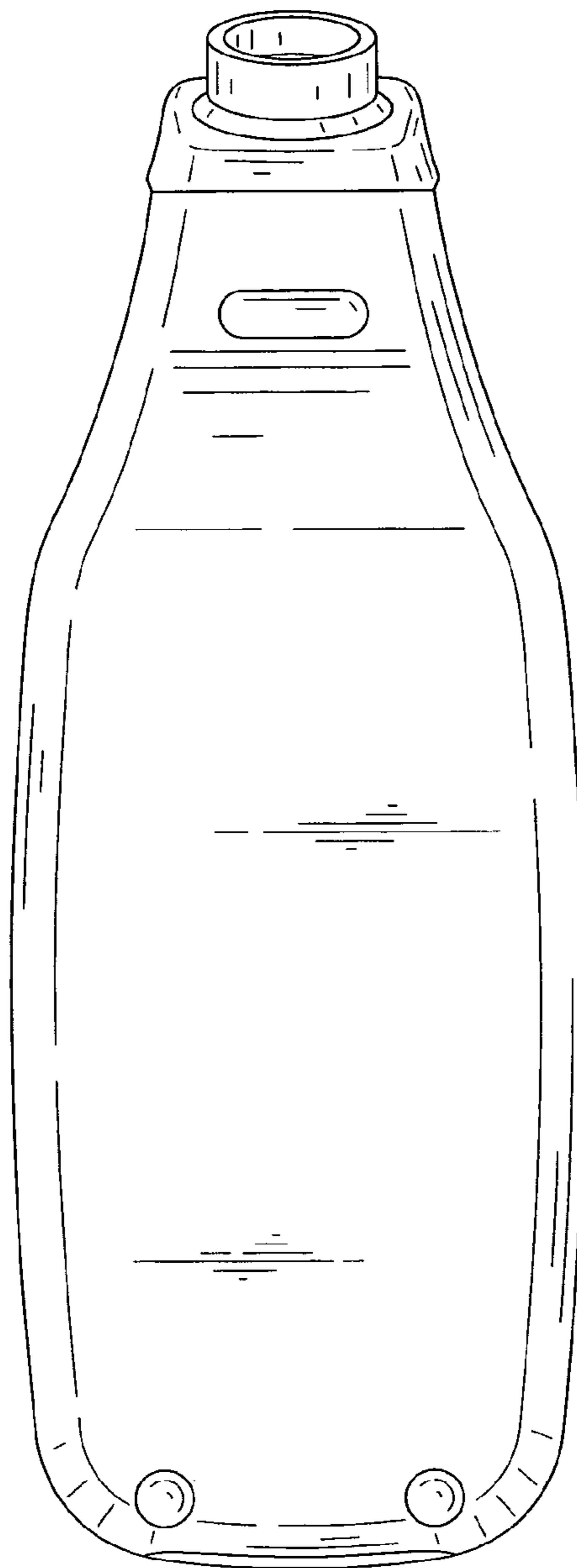


FIG. 3

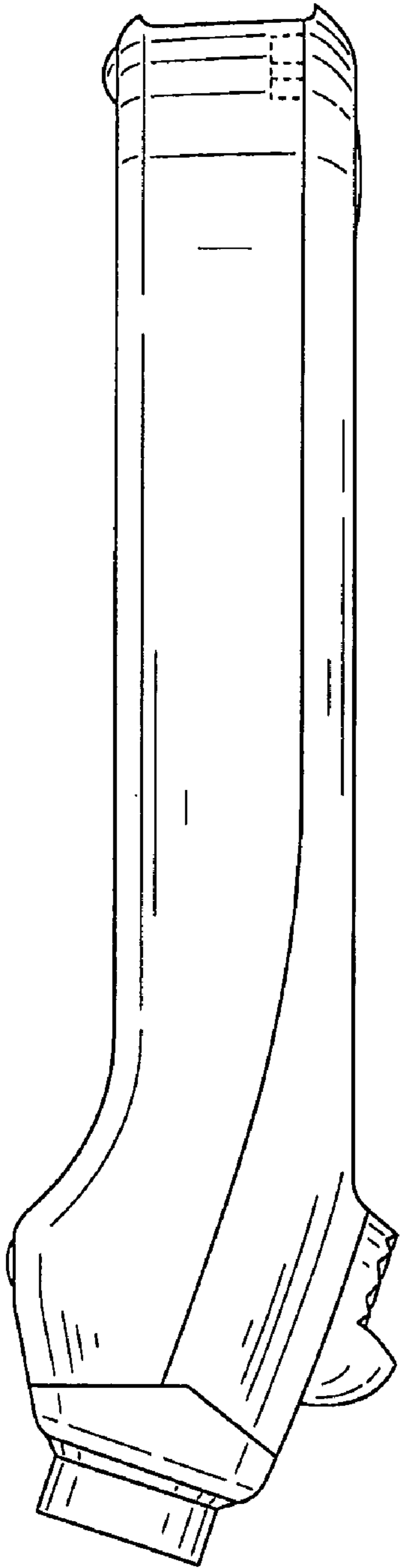


FIG. 4

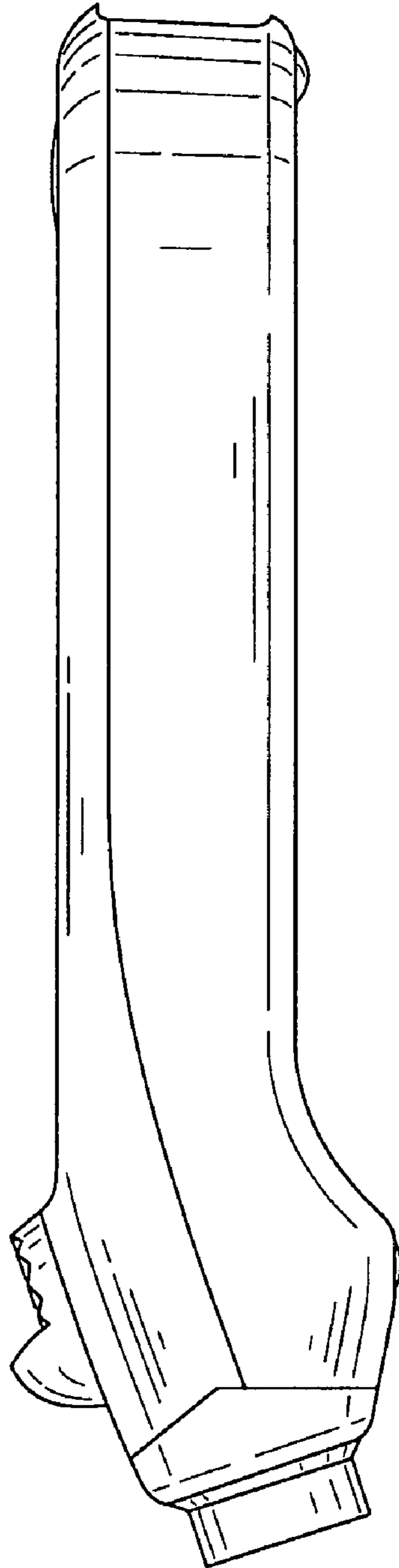


FIG. 5

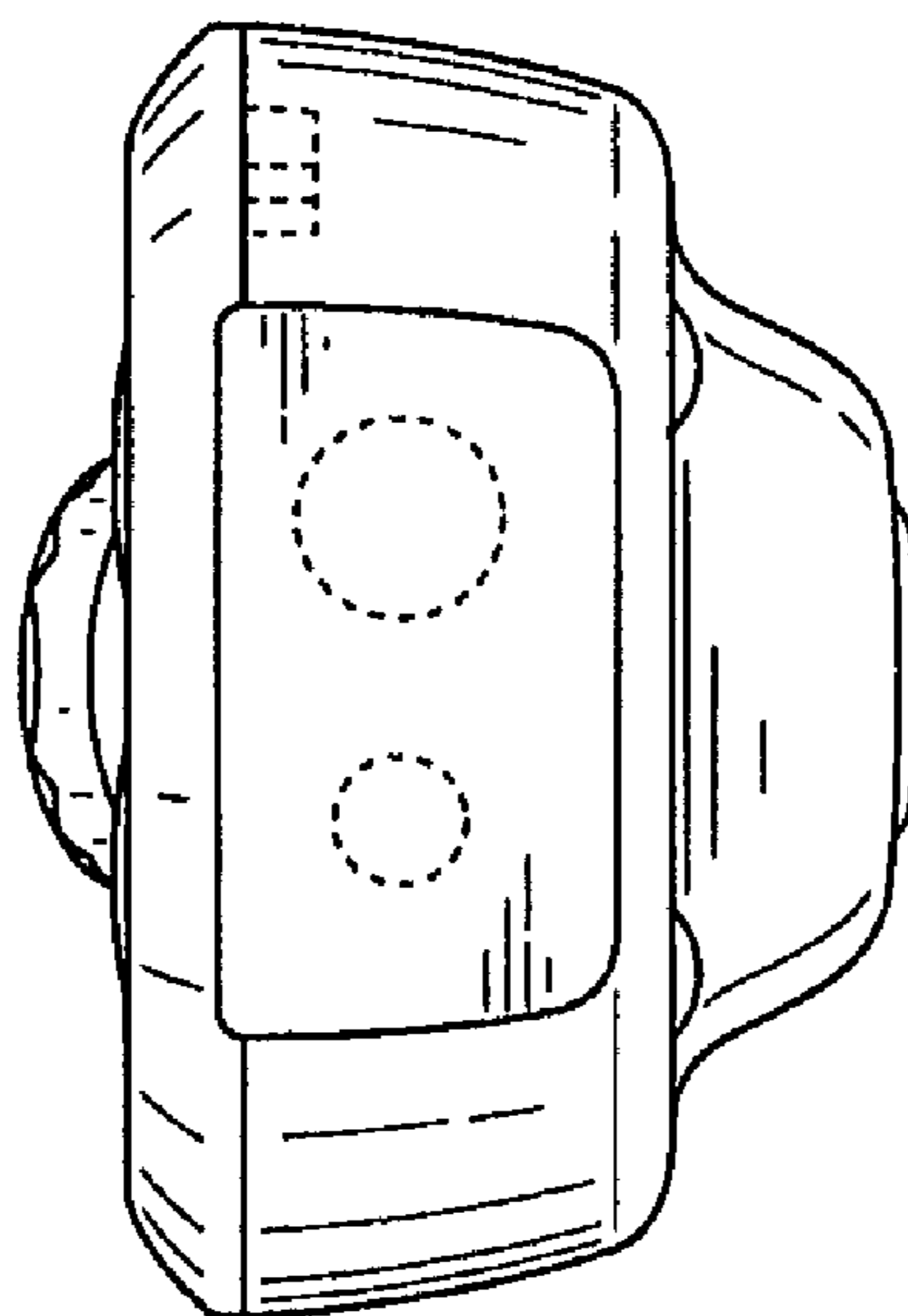


FIG. 6

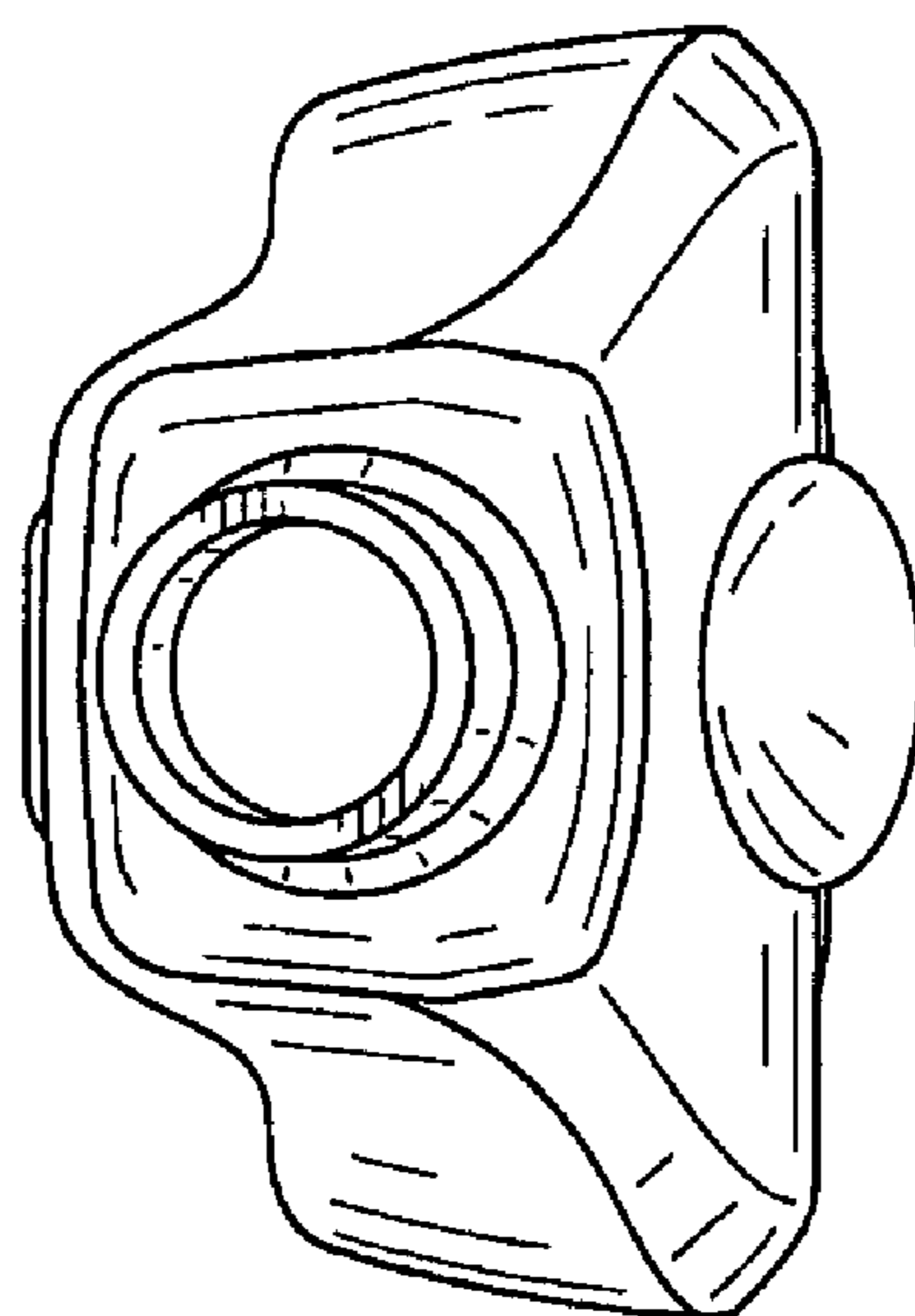


FIG. 7