



(12) **United States Design Patent**
Kawamura

(10) **Patent No.:** **US D608,000 S**
(45) **Date of Patent:** **** Jan. 12, 2010**

(54) **PLUNGER ROD FOR SYRINGE**

(75) Inventor: **Hideaki Kawamura**, Sumida-ku (JP)

(73) Assignee: **Daikyo Seiko, Ltd.**, Tokyo (JP)

(**) Term: **14 Years**

(21) Appl. No.: **29/308,720**

(22) Filed: **Jul. 2, 2008**

(30) **Foreign Application Priority Data**

Jan. 9, 2008 (JP) 2008-000172

(51) **LOC (9) Cl.** **24-01**

(52) **U.S. Cl.** **D24/130**

(58) **Field of Classification Search** D24/108,
D24/112, 114, 127-130; 604/6.12, 93, 164-167,
604/187-189, 192-194, 198, 208, 218, 223,
604/232, 240-241, 243, 263-264

See application file for complete search history.

(56) **References Cited**

U.S. PATENT DOCUMENTS

4,404,862 A * 9/1983 Harris, Sr. 73/864.16
5,222,947 A * 6/1993 D'Amico 604/198
5,279,579 A * 1/1994 D'Amico 604/192

(Continued)

Primary Examiner—T. Chase Nelson

Assistant Examiner—Eric L Goodman

(74) *Attorney, Agent, or Firm*—Chapman and Cutler LLP

(57) **CLAIM**

The ornamental design for a plunger rod for syringe, as shown and described.

DESCRIPTION

FIG. 1 is a top perspective view of a plunger rod for syringe showing my new design;

FIG. 2 is a bottom perspective view thereof;

FIG. 3 is a front elevational view thereof;

FIG. 4 is a rear elevational view thereof;

FIG. 5 is a right side elevational view thereof;

FIG. 6 is a left side elevational view thereof;

FIG. 7 is a top plan view thereof;

FIG. 8 is a bottom plan view thereof;

FIG. 9 is a sectional view thereof taken along line 9—9 of FIG. 7;

FIG. 10 is a sectional view thereof taken along line 10—10 of FIG. 3;

FIG. 11 is a sectional view thereof taken along line 11—11 of FIG. 3;

FIG. 12 is a top perspective exploded view thereof;

FIG. 13 is a bottom perspective exploded view thereof;

FIG. 14 is a bottom perspective view, indicating that the thumb rest of the plunger rod of a second embodiment of the claimed design has been lined for the color purple;

FIG. 15 is a bottom perspective view, indicating that the thumb rest of the plunger rod of a third embodiment of the claimed design has been lined for the color blue;

FIG. 16 is a bottom perspective view, indicating that the thumb rest of the plunger rod of a fourth embodiment of the claimed design has been lined for the color green;

FIG. 17 is a bottom perspective view, indicating that the thumb rest of the plunger rod of a fifth embodiment of the claimed design has been lined for the color orange;

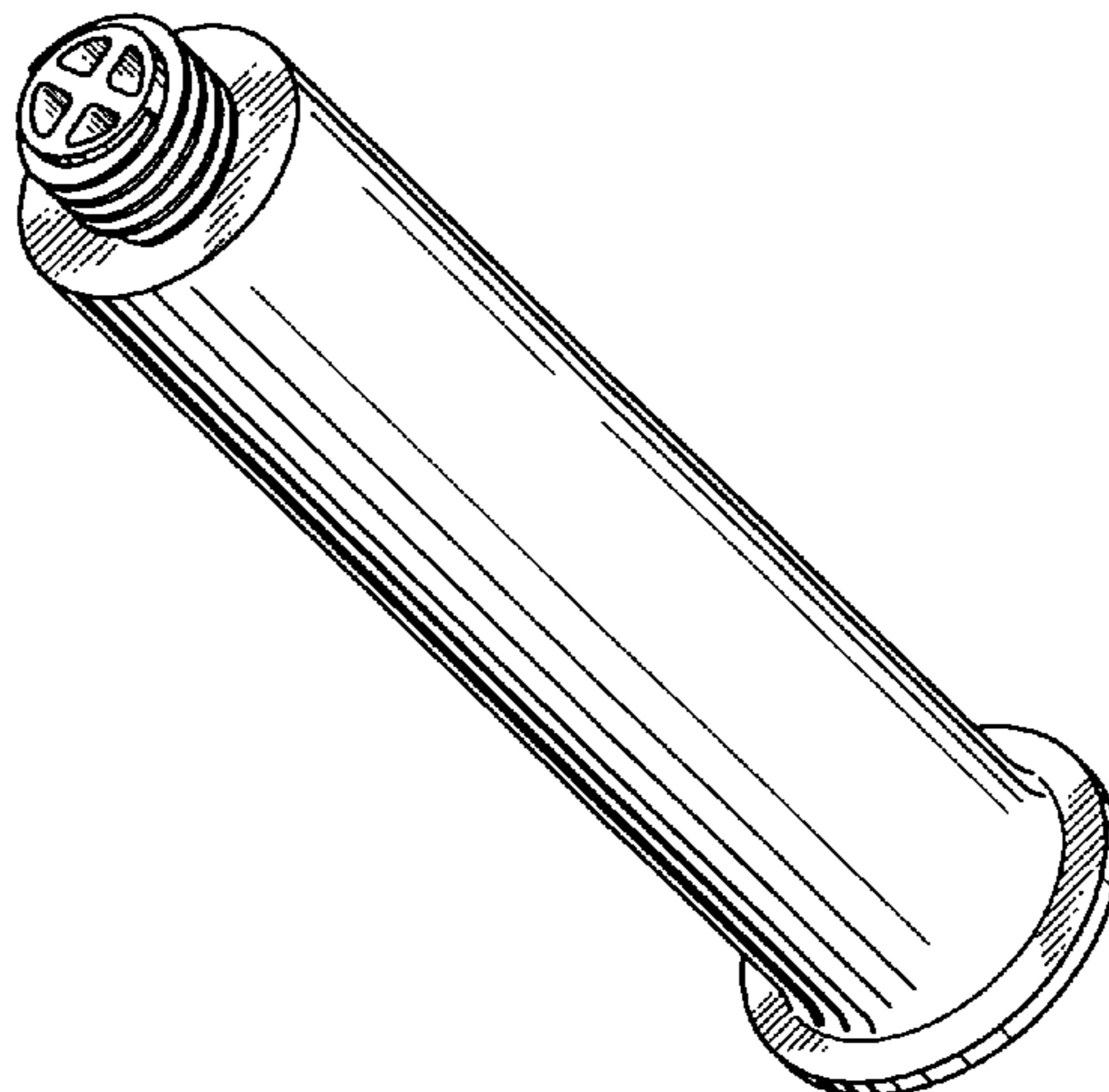
FIG. 18 is a bottom perspective view, indicating that the thumb rest of the plunger rod of a sixth embodiment of the claimed design has been lined for the color red;

FIG. 19 is a bottom perspective view, indicating that the thumb rest of the plunger rod of a seventh embodiment of the claimed design has been lined for the color brown; and,

FIG. 20 is a bottom perspective view thereof.

The broken lines are for illustrative purposes only and form no part of the claimed design.

1 Claim, 13 Drawing Sheets



US D608,000 S

Page 2

U.S. PATENT DOCUMENTS

5,405,326	A *	4/1995	Haber et al.	604/110				
D369,214	S *	4/1996	Nason	D24/130				
D565,732	S *	4/2008	Pech et al.	D24/130				
D581,048	S *	11/2008	Kawamura	D24/130				
					D581,049	S *	11/2008	Sudo D24/130
					D584,407	S *	1/2009	Kawamura D24/130
					2007/0167916	A1 *	7/2007	Lee et al. 604/187
					2008/0086091	A1 *	4/2008	Anderson et al. 604/192

* cited by examiner

FIG. 1

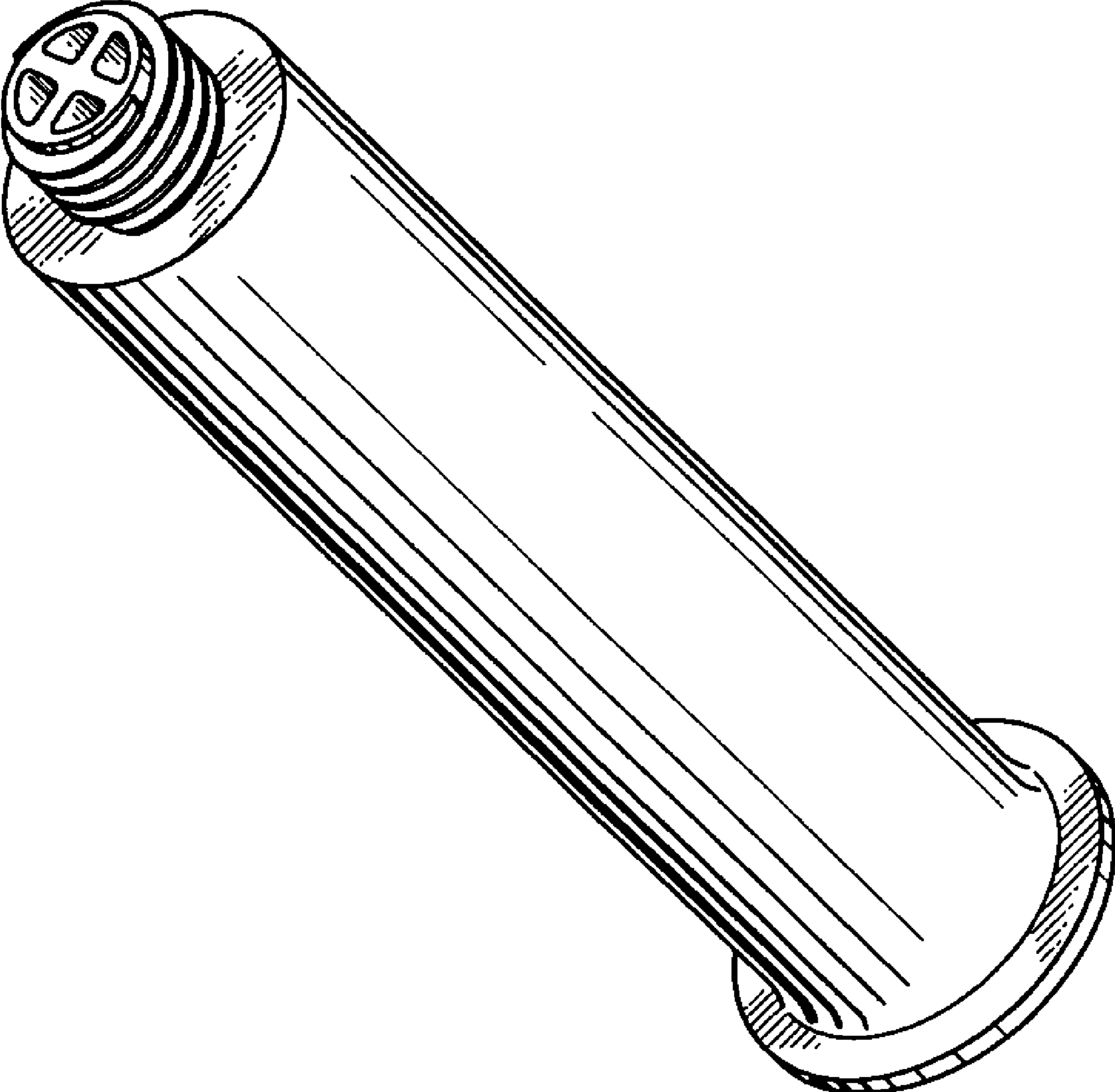


FIG. 2

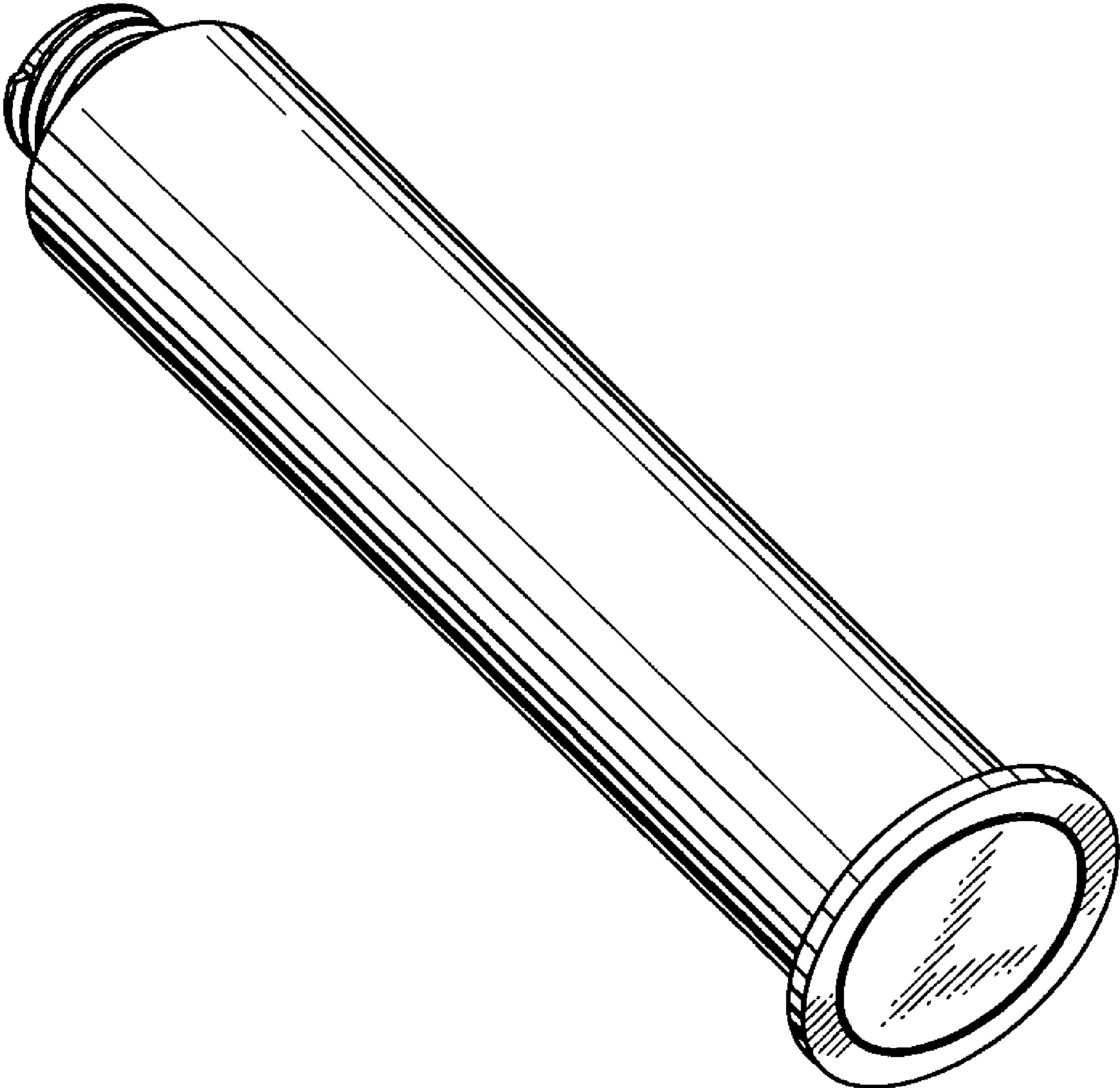


FIG. 3

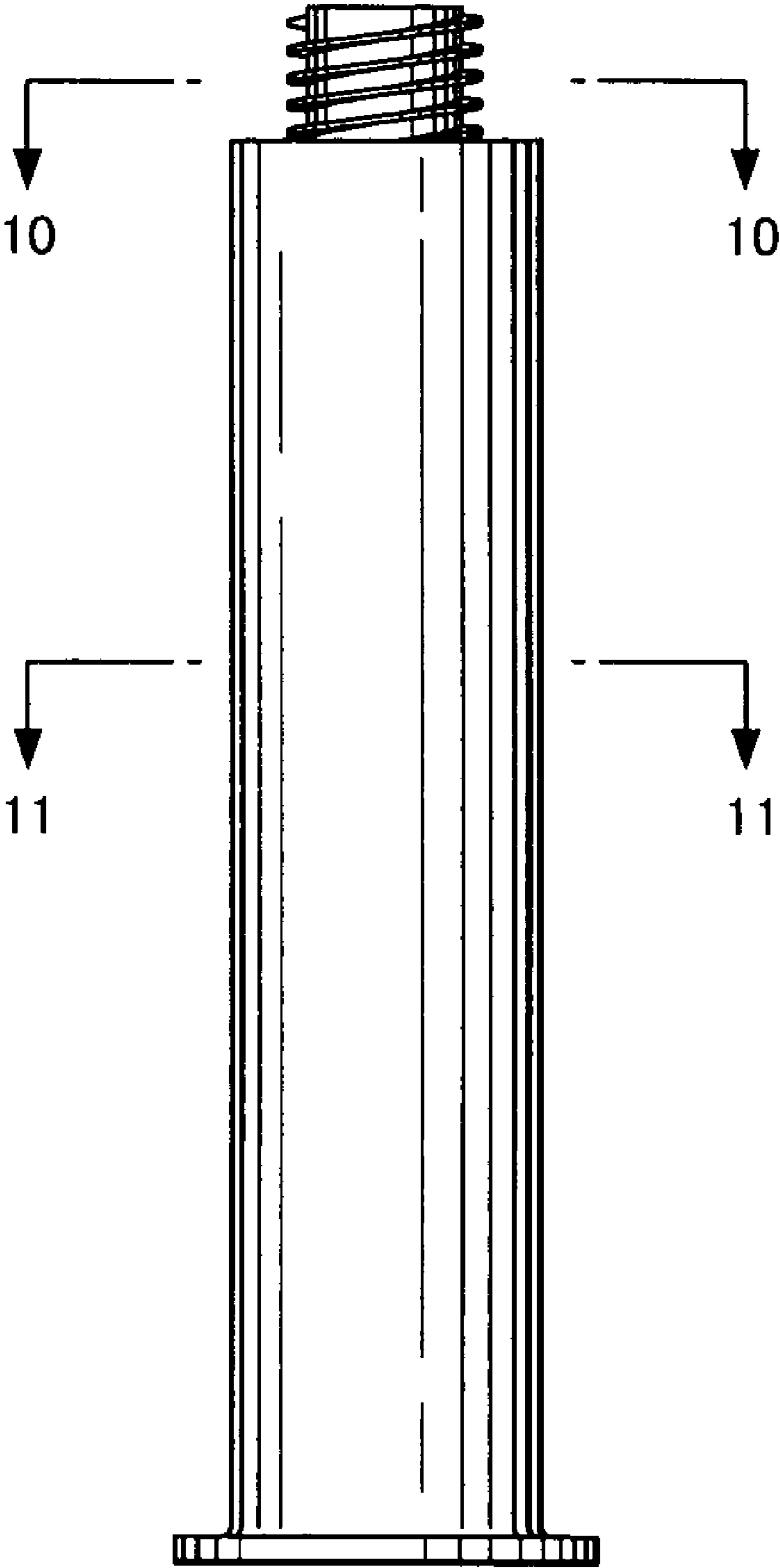


FIG. 4

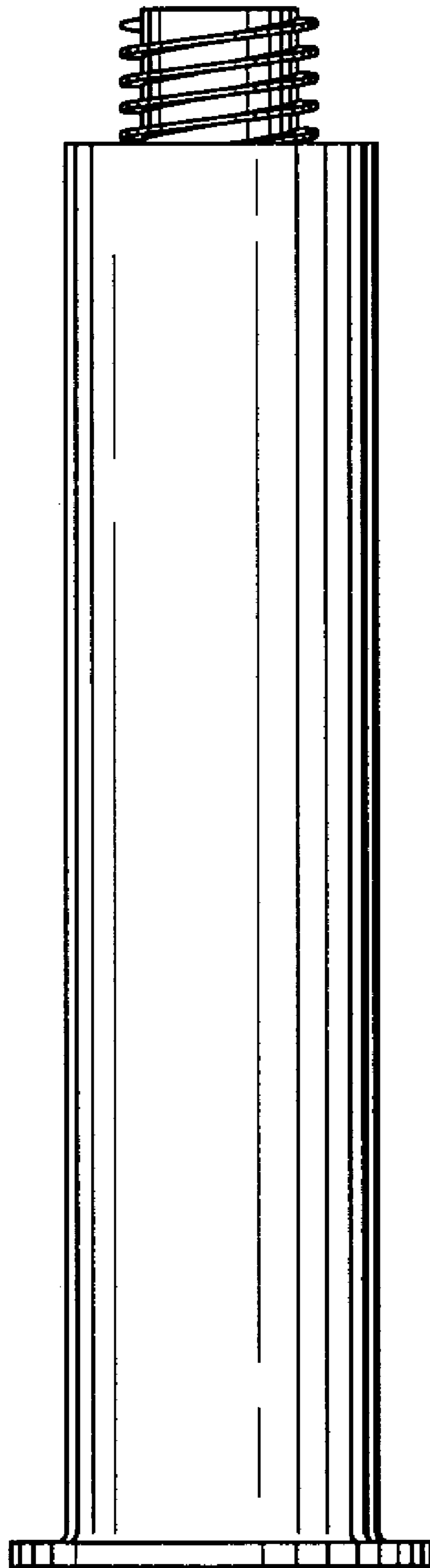


FIG. 5

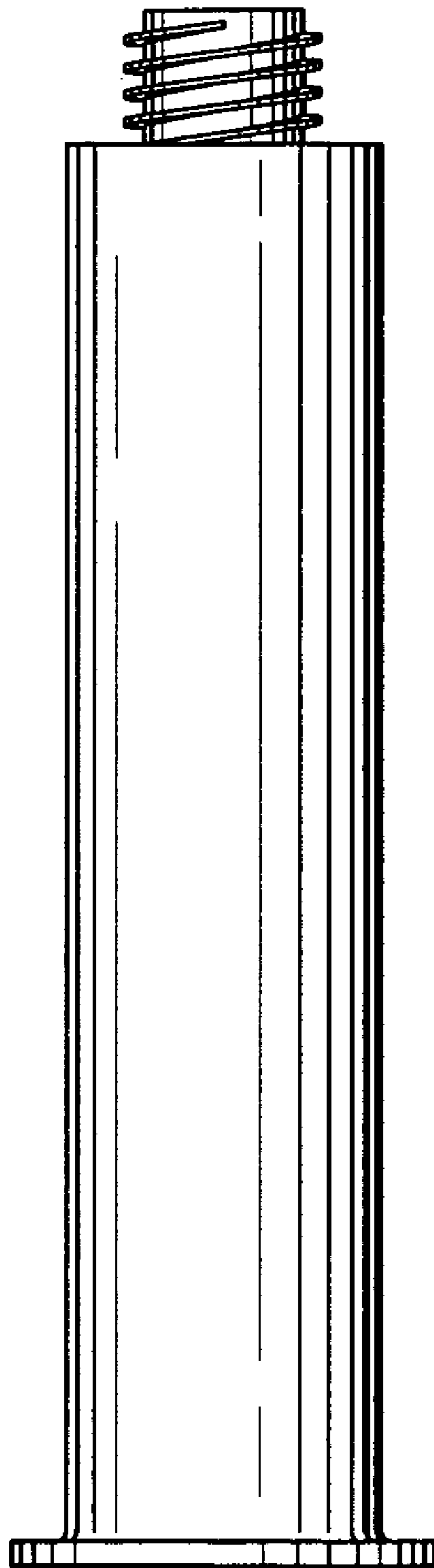


FIG. 6

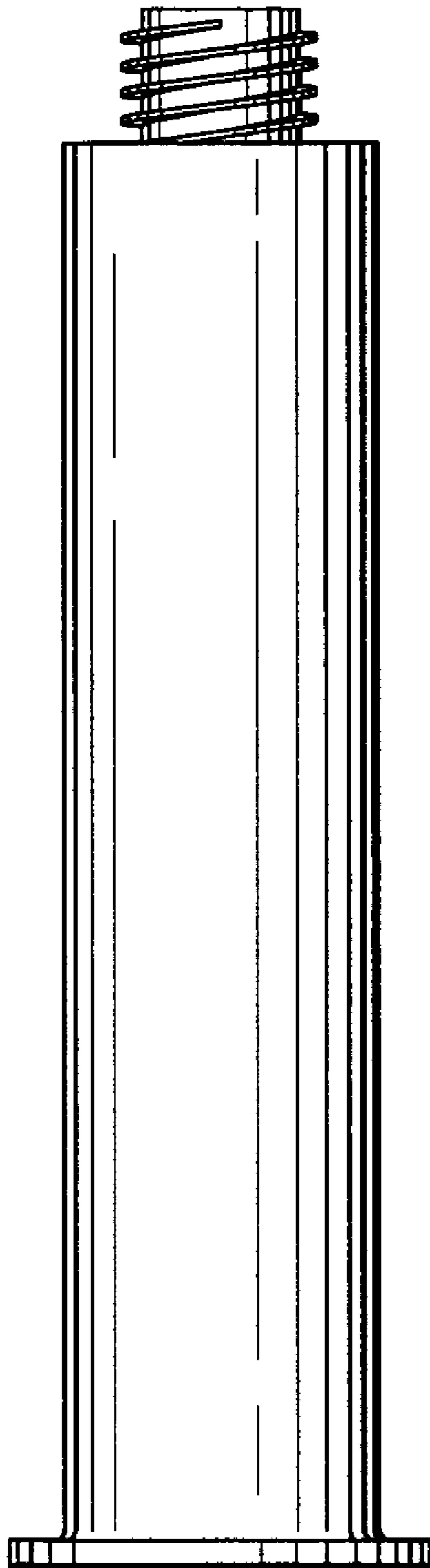


FIG. 7

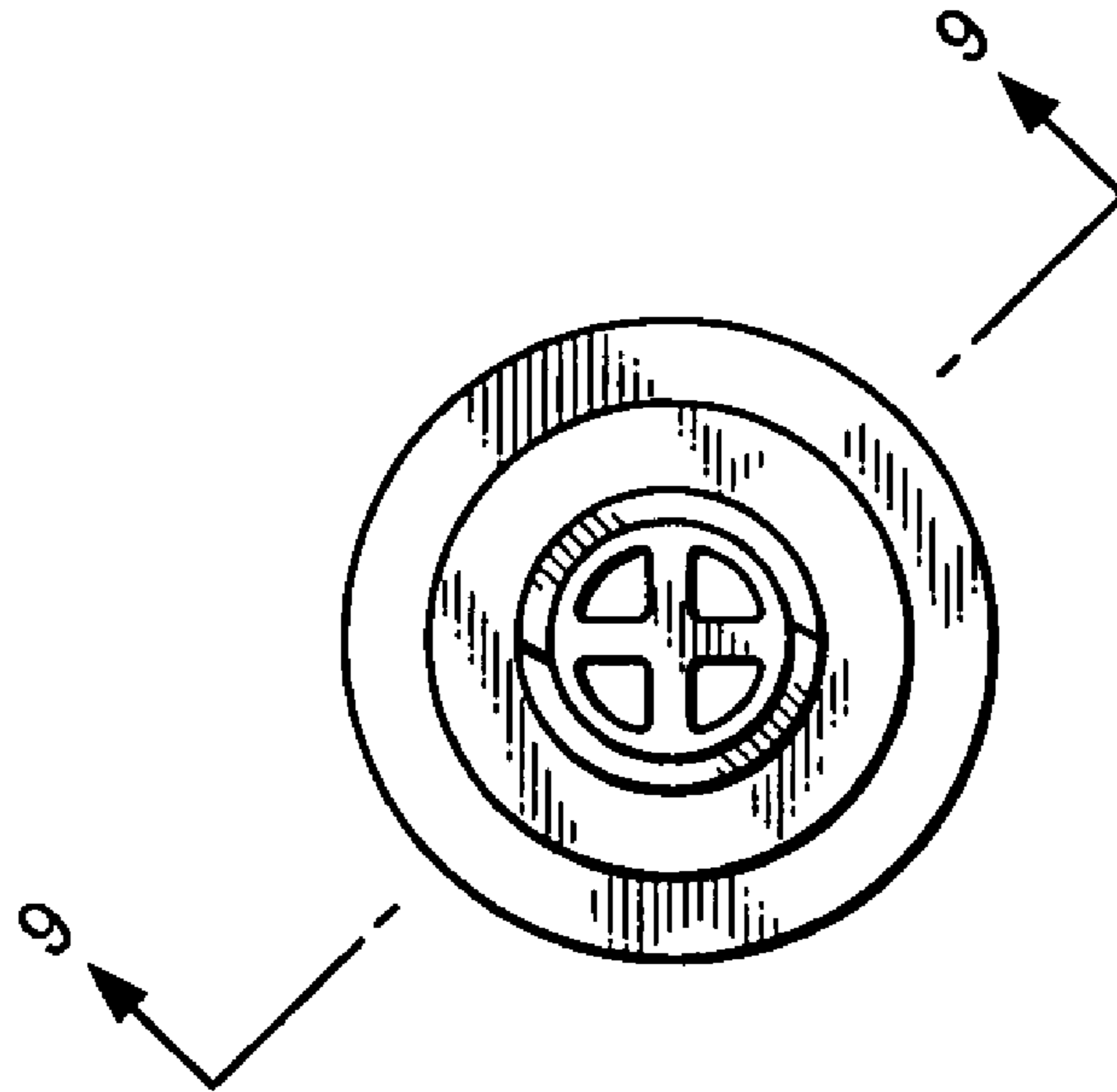


FIG. 8

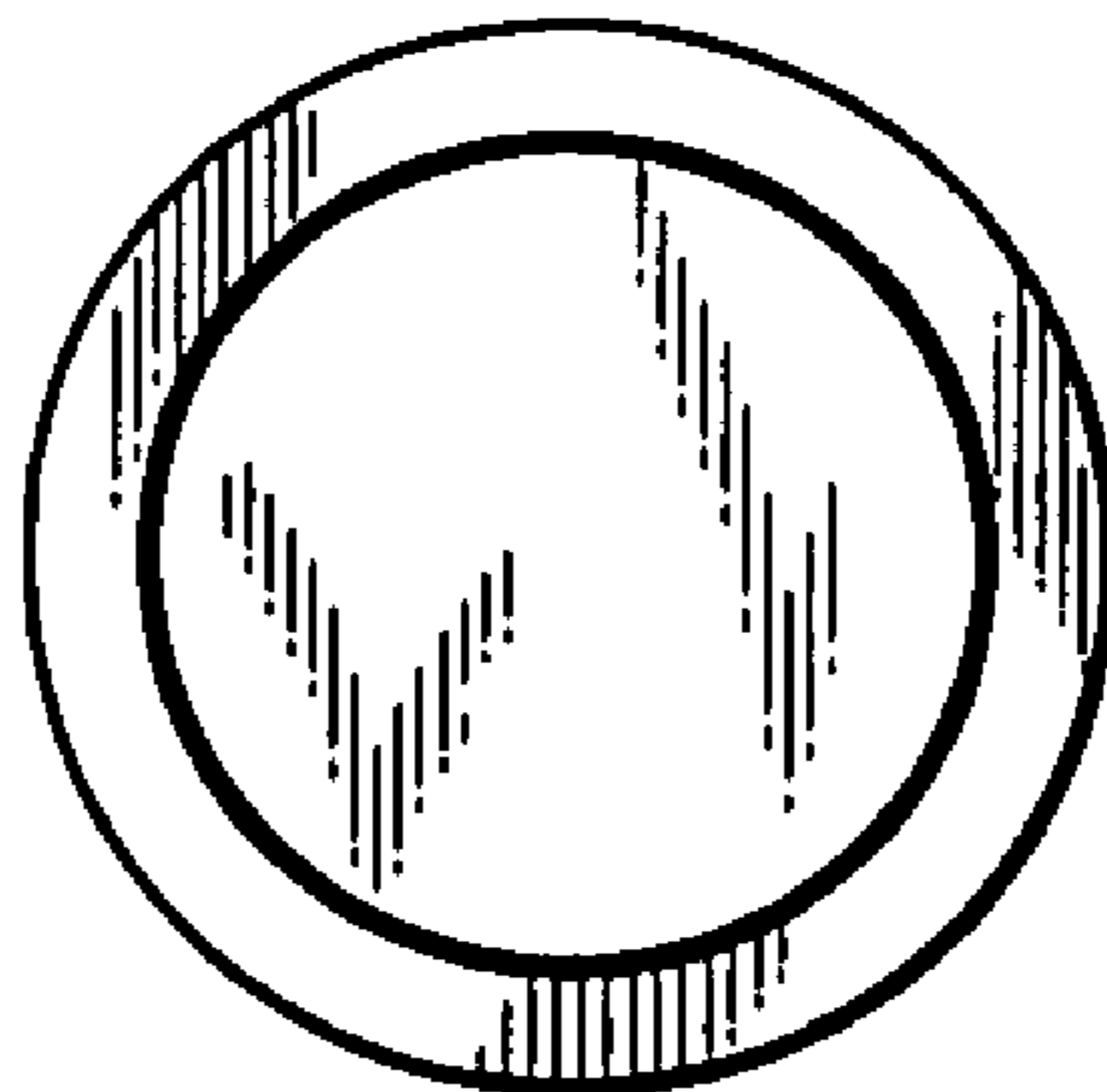


FIG. 9

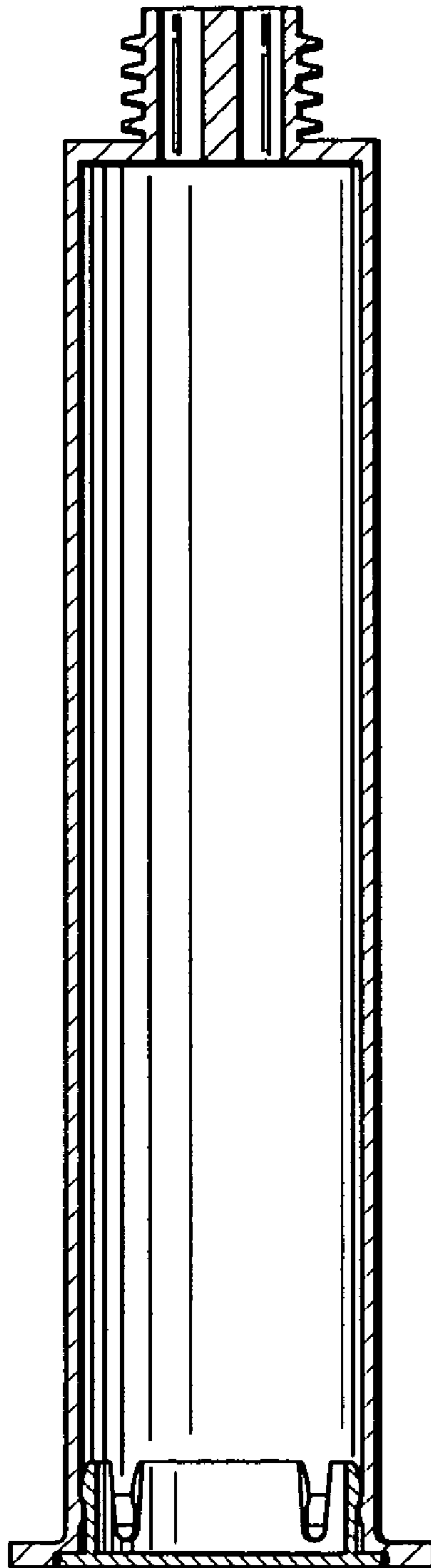


FIG. 10

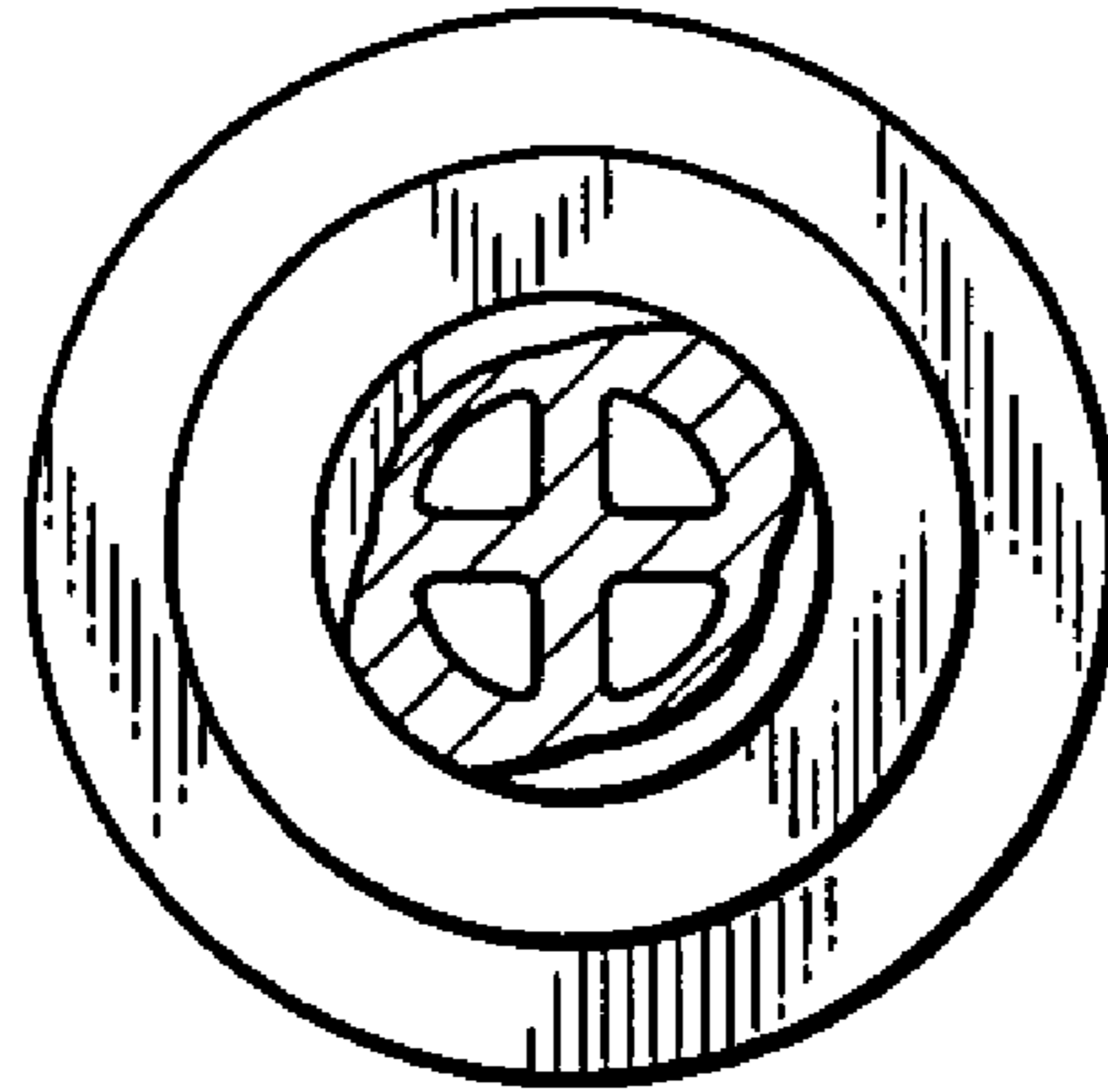


FIG. 11

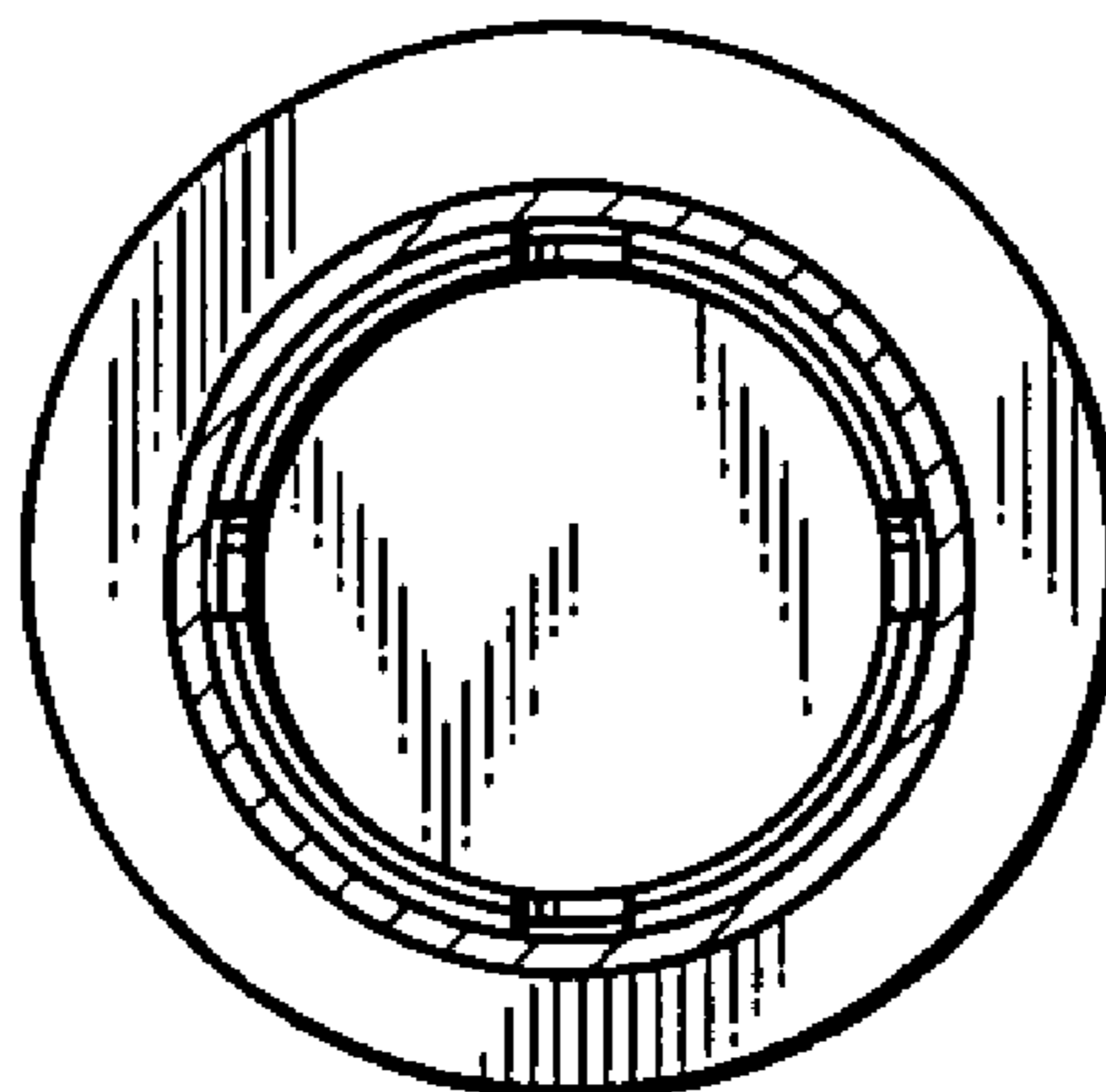


FIG. 12

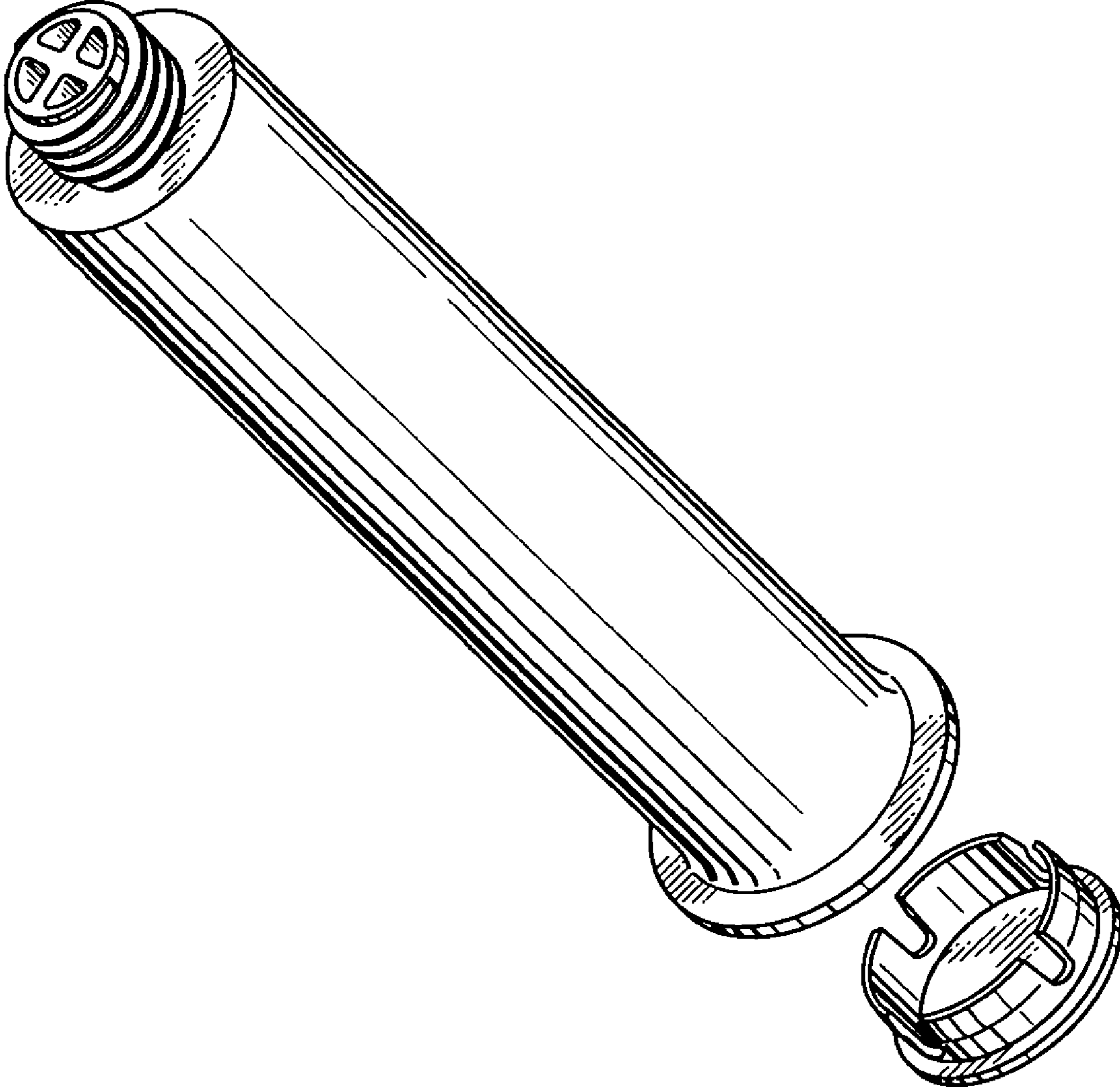


FIG. 13

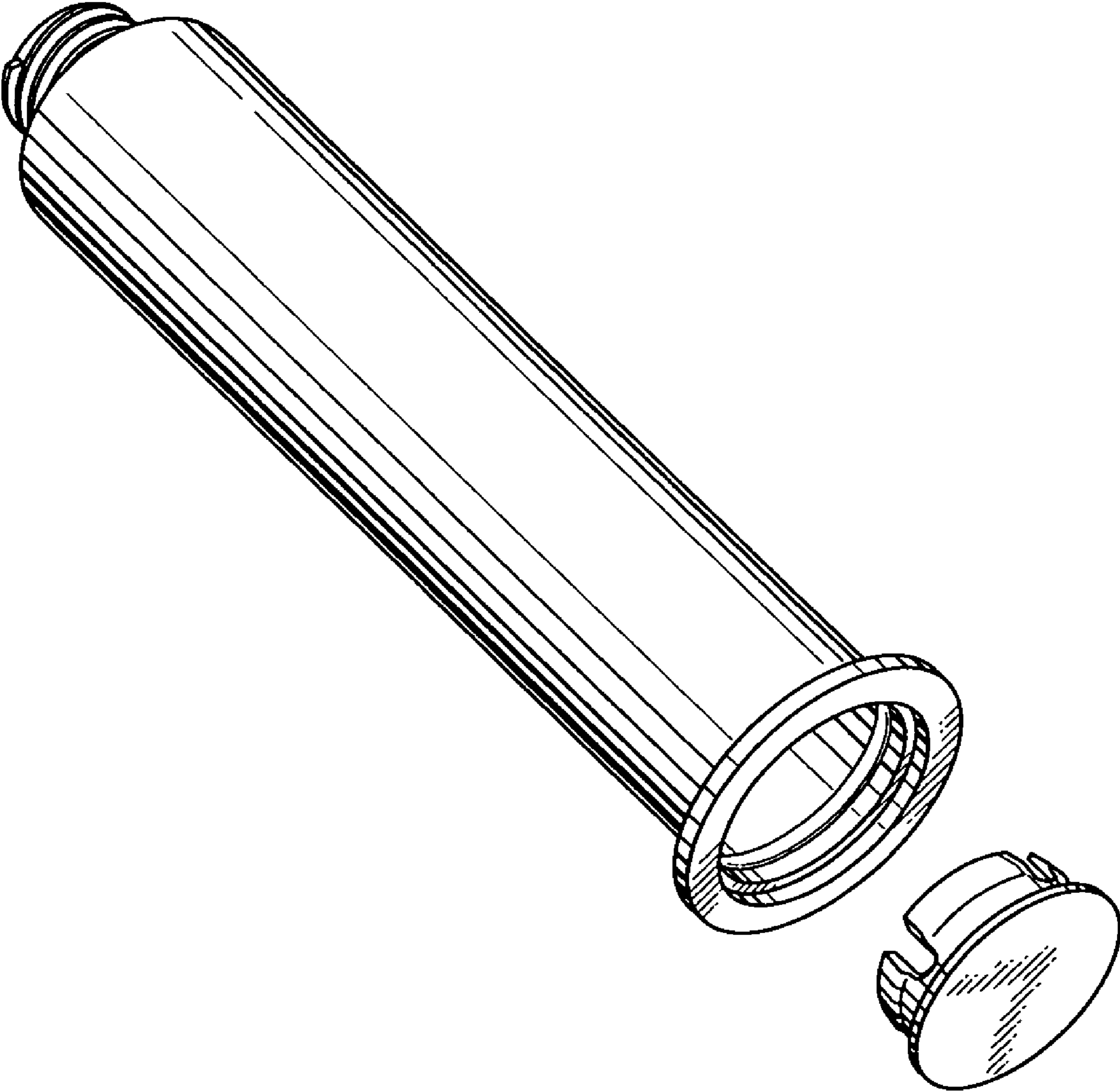


FIG. 14

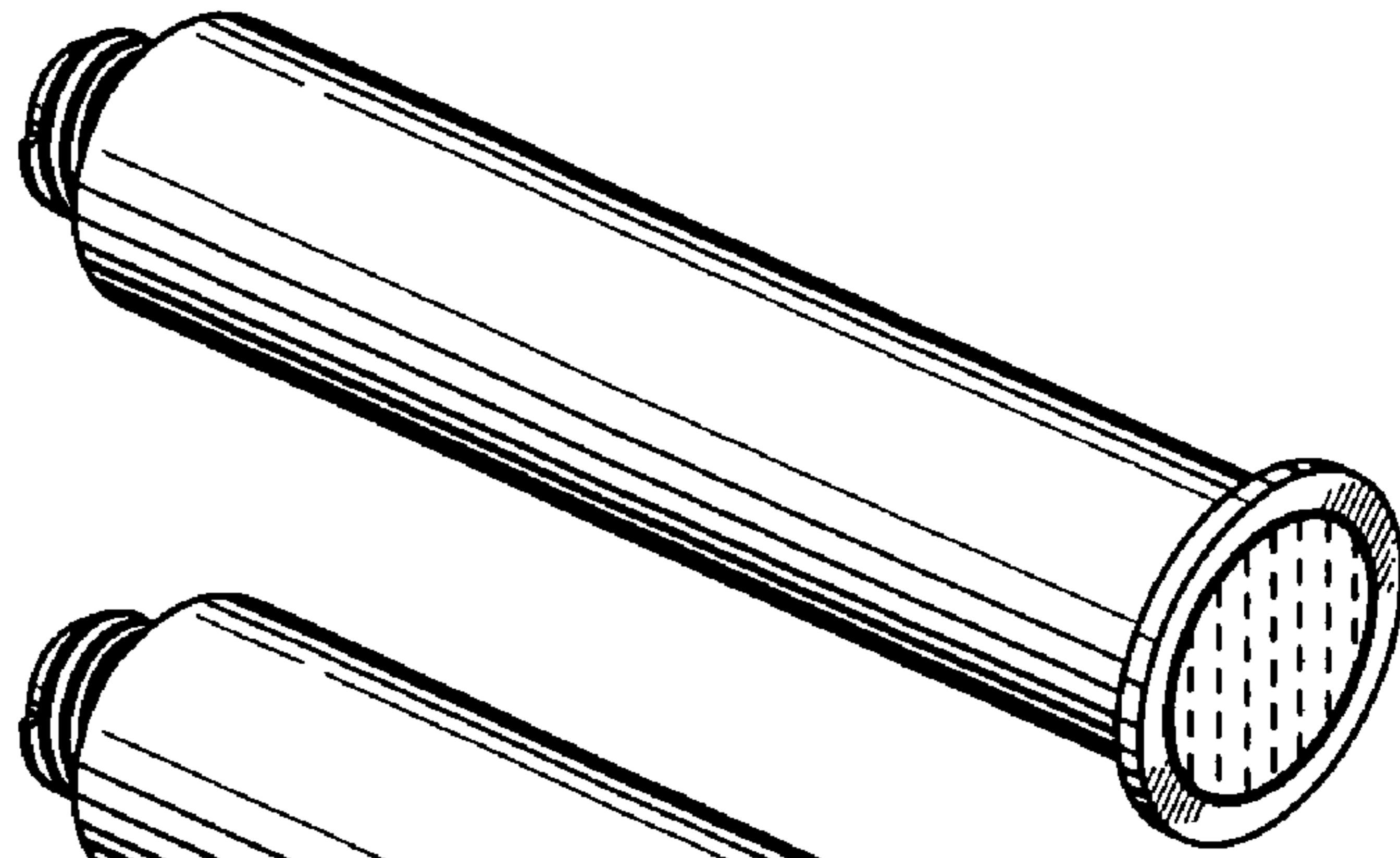


FIG. 15

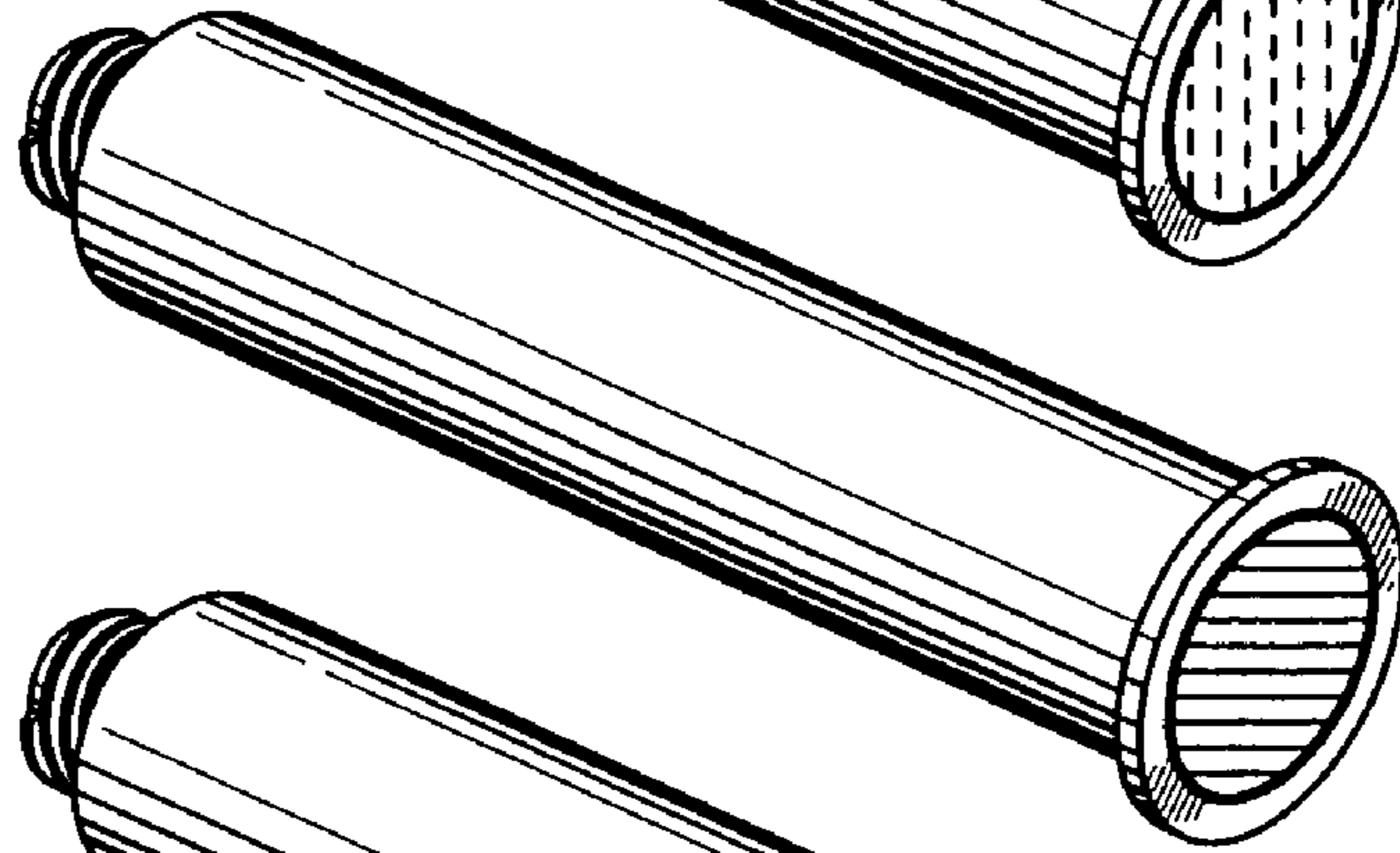


FIG. 16



FIG. 17

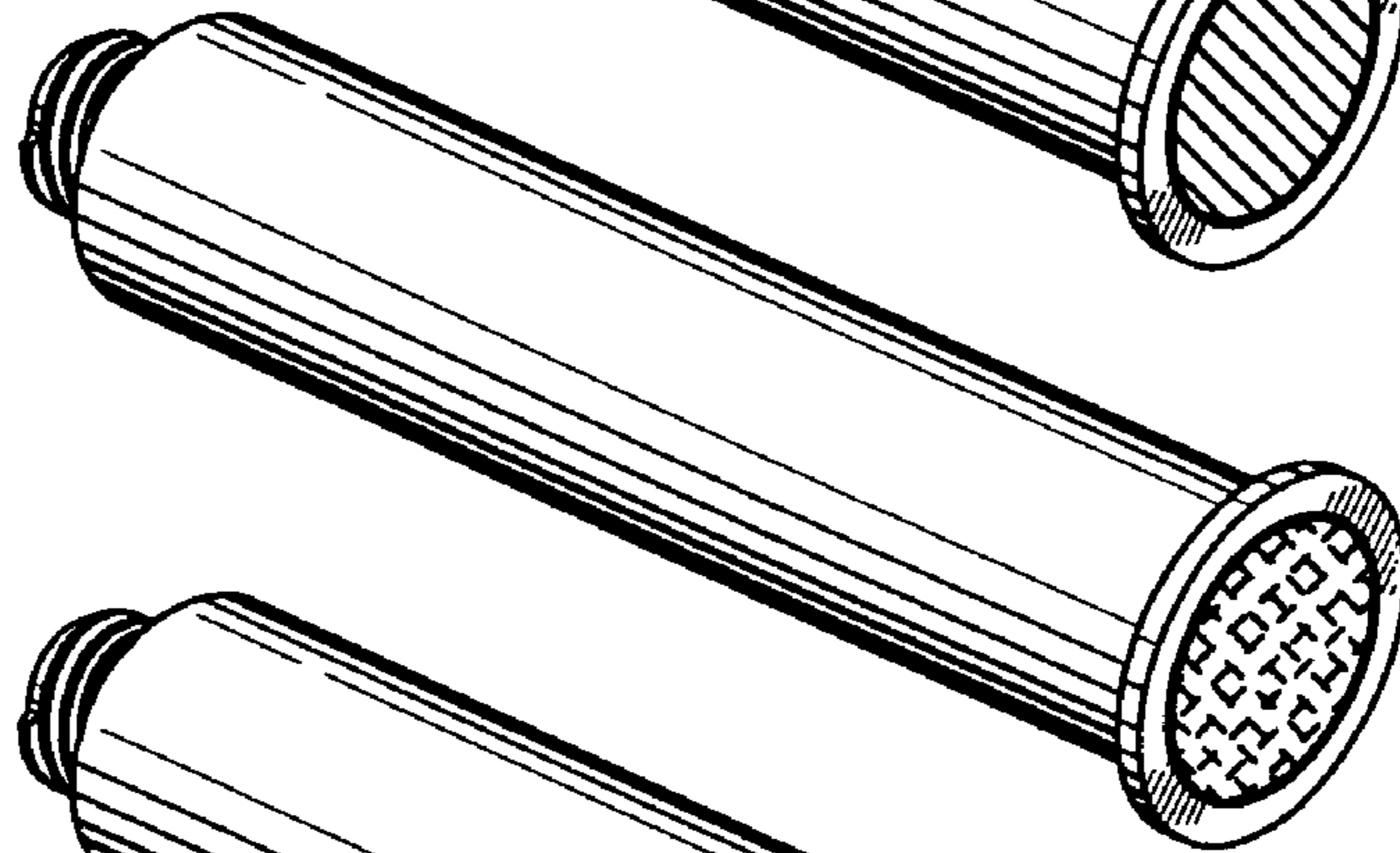


FIG. 18



FIG. 19

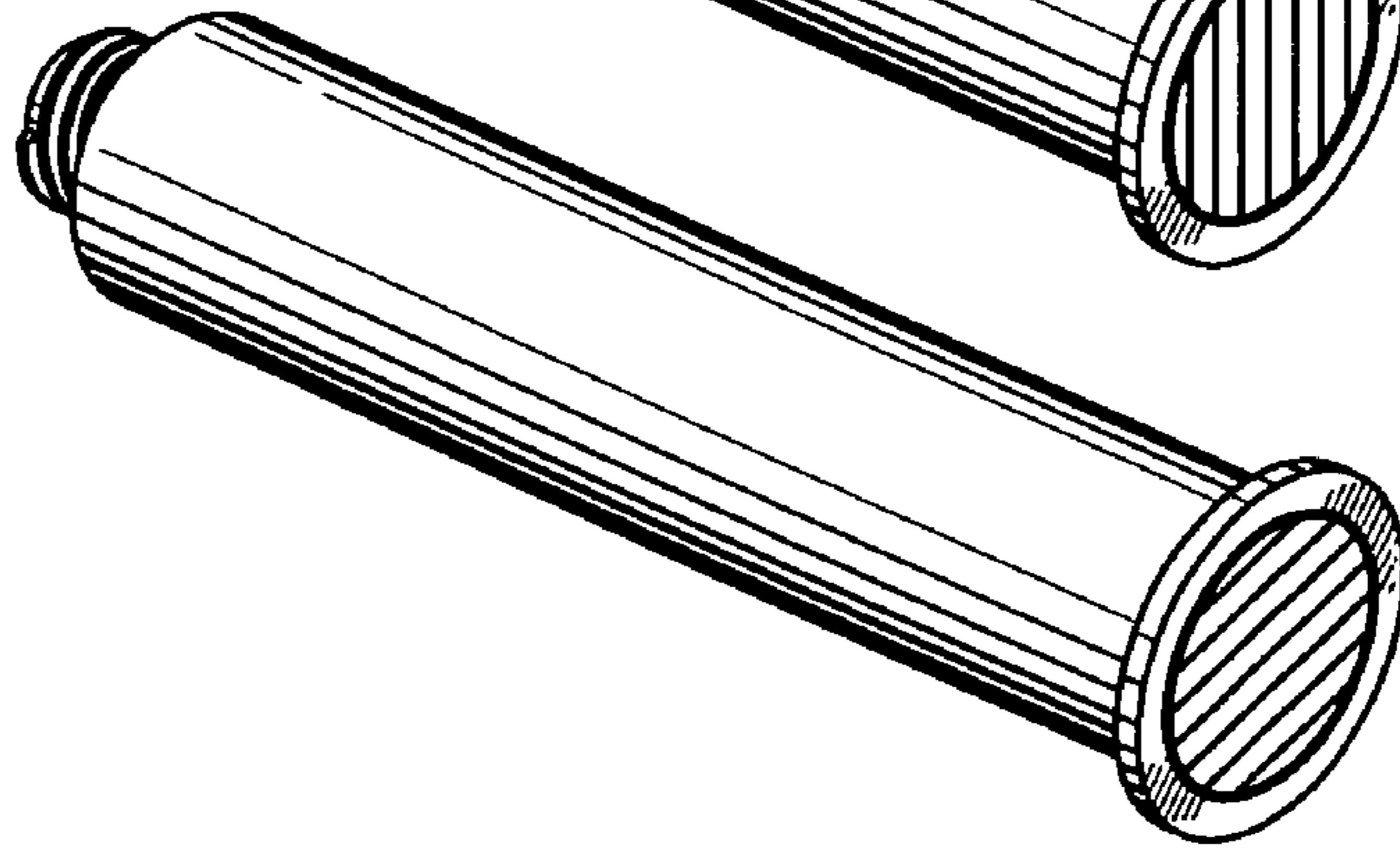


FIG. 20

