



US00D607995S

(12) **United States Design Patent**
Miller

(10) **Patent No.:** **US D607,995 S**
(45) **Date of Patent:** **** Jan. 12, 2010**

(54) **URINE SPECIMEN COLLECTOR FOR USE BY FEMALES**
(76) Inventor: **Jacqueline M. Miller**, 3001 Marshwood Rd., Goshen, IN (US) 46528
(**) Term: **14 Years**

5,457,823 A 10/1995 Mojena
D376,201 S * 12/1996 Norton D24/122
D449,105 S 10/2001 Azo
6,299,606 B1 * 10/2001 Young 604/329
D457,237 S * 5/2002 Azo D24/122
6,651,259 B1 * 11/2003 Hartman et al. 4/144.1
D488,226 S * 4/2004 MacDonald et al. D24/122
6,908,441 B1 * 6/2005 Bernard et al. 600/574

(21) Appl. No.: **29/331,282**

* cited by examiner

(22) Filed: **Jan. 22, 2009**

Primary Examiner—T. Chase Nelson
Assistant Examiner—David G Muller

(51) **LOC (9) Cl.** **24-02**

(52) **U.S. Cl.** **D24/122**

(58) **Field of Classification Search** D24/122,
D24/123, 121, 224, 132; D23/274, 302,
D23/295, 309, 200, 310; 4/144.1–144.4,
4/459, 460, 300.03; 604/329, 317, 318, 334;
600/574, 573; D34/2

See application file for complete search history.

(57) **CLAIM**

The ornamental design for a urine specimen collector for use by females, as shown and described.

(56) **References Cited**

DESCRIPTION

U.S. PATENT DOCUMENTS

1,657,975 A * 1/1928 Shiells 4/144.1
1,928,170 A 9/1933 Dwork
3,579,652 A 5/1971 Ericson
3,964,111 A 6/1976 Packer
D265,586 S * 7/1982 Sloan D24/122
D290,880 S * 7/1987 Blanton D24/122
D303,573 S * 9/1989 Parrish D24/122
RE33,686 E * 9/1991 Parrish 604/318
5,091,998 A 3/1992 Irazabal
D348,731 S * 7/1994 Crawford D24/122
D358,917 S * 5/1995 Keys D34/2

FIG. 1 is a perspective view of a urine specimen collector for use by females;

FIG. 2 is a side view thereof (opposite side view is mirror image of this view);

FIG. 3 is a front view thereof (back is mirror image of this view);

FIG. 4 is a top view thereof; and,

FIG. 5 is a bottom view.

The broken line showing of parts of the drawings is included for the purpose of illustrating use and environment and forms no part of the claimed design.

1 Claim, 3 Drawing Sheets

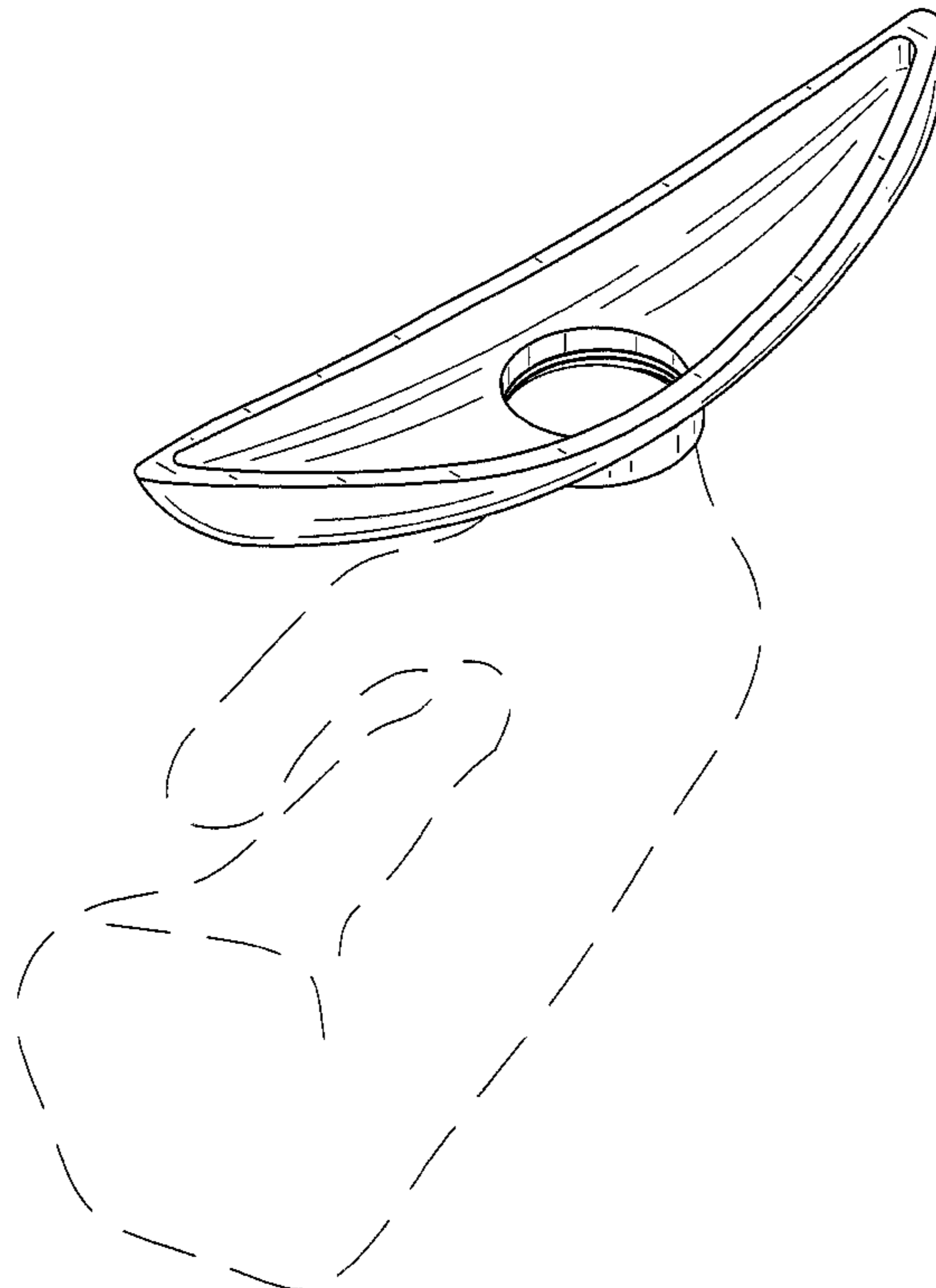




FIG. 1

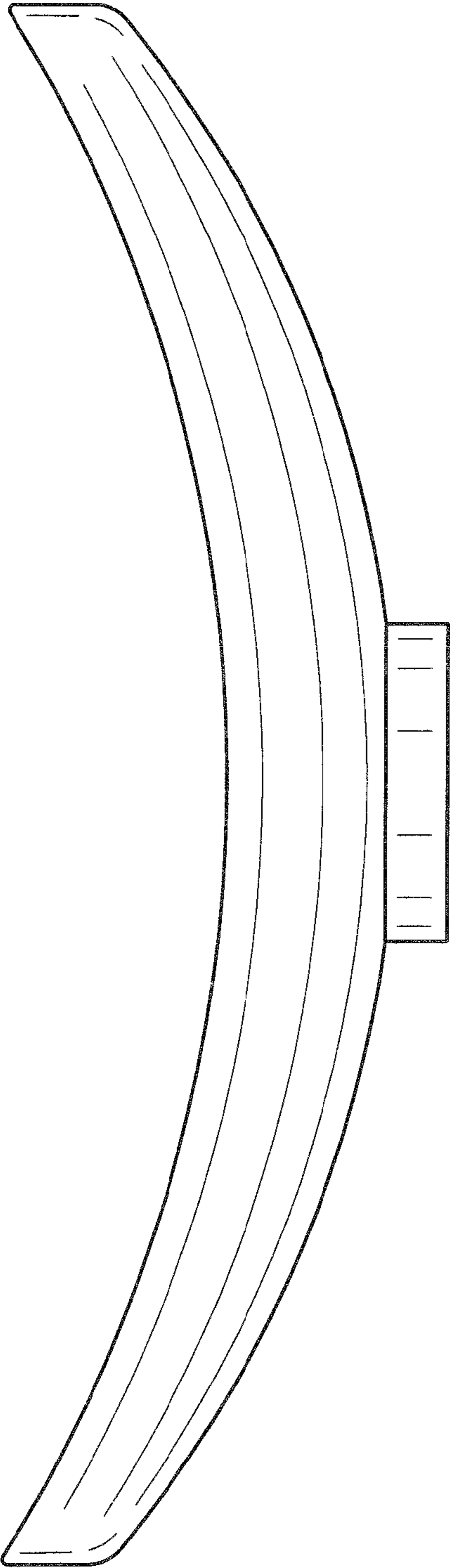


FIG. 2

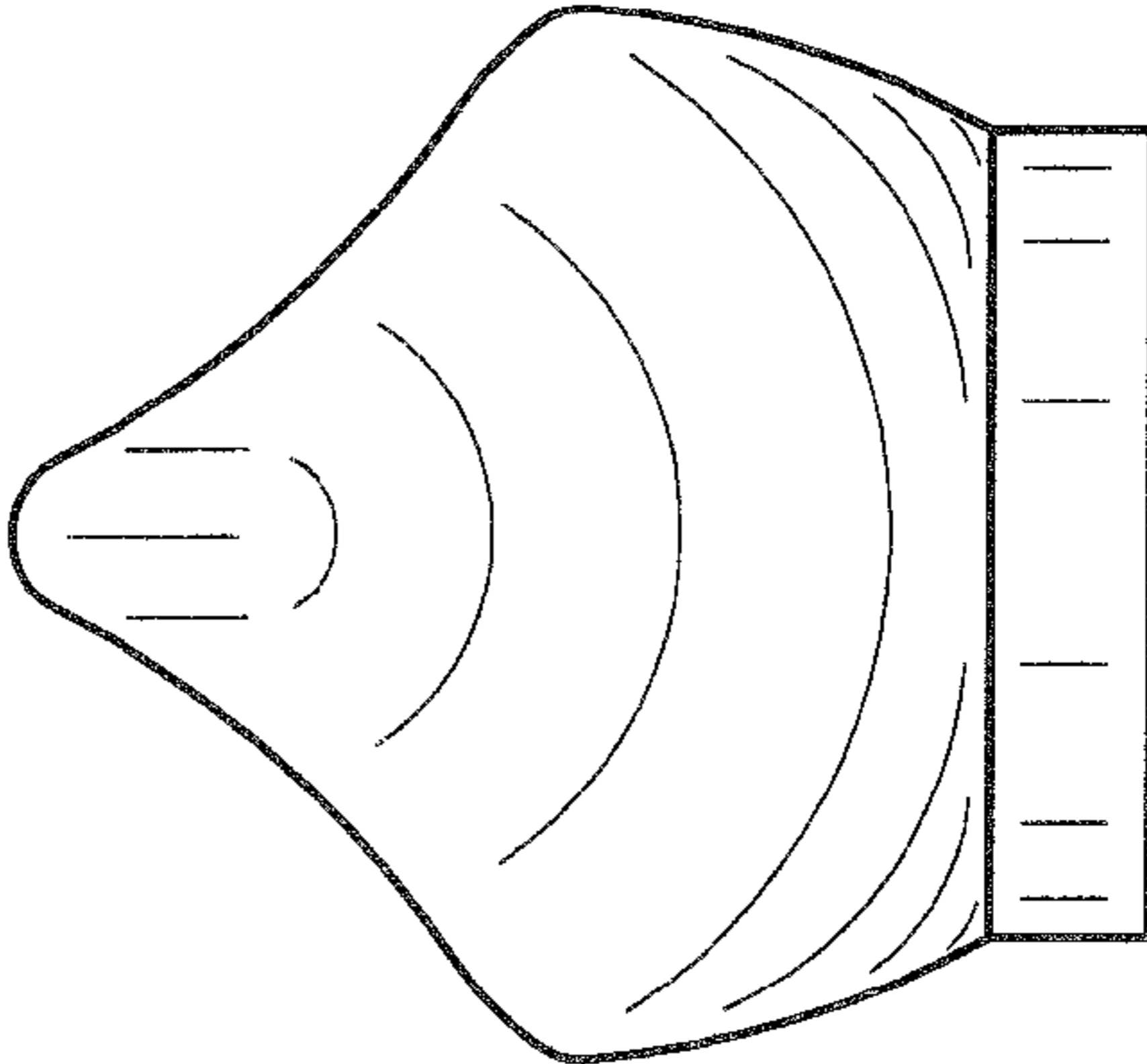


FIG. 3

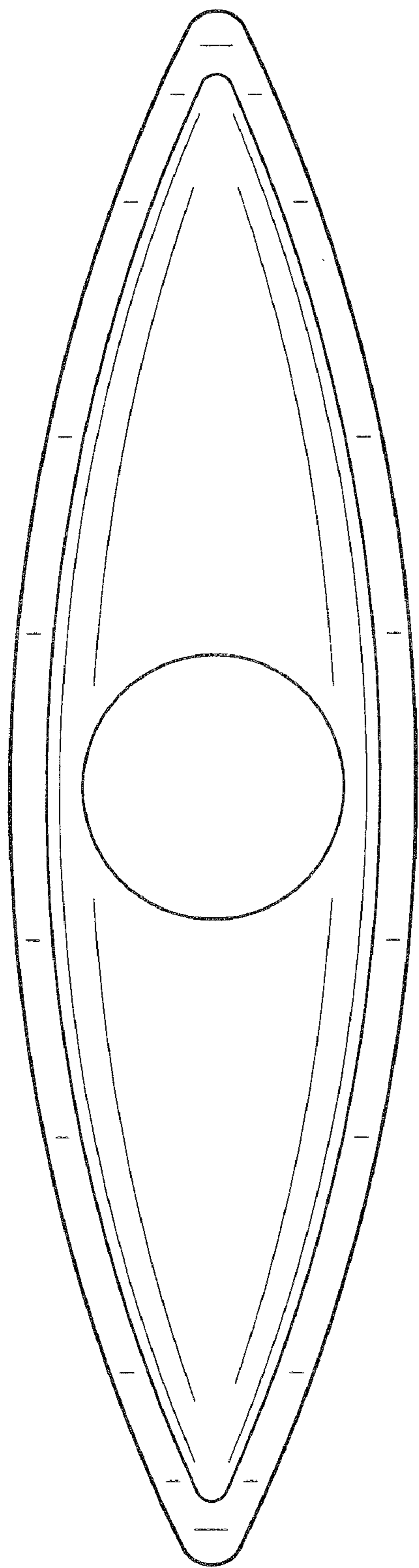


FIG. 4

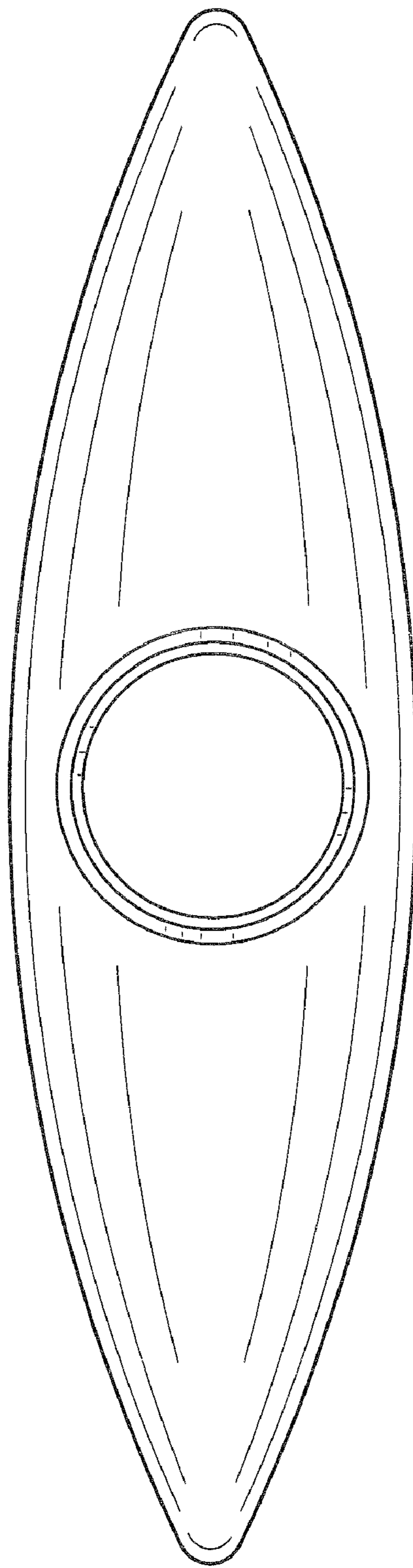


FIG. 5