



US00D607993S

(12) **United States Design Patent**  
**Cowan**

(10) **Patent No.:** **US D607,993 S**  
(45) **Date of Patent:** **\*\* Jan. 12, 2010**

(54) **AIRFLOW SENSOR FOR USE WITH A CANNULA**

(75) Inventor: **James Brent Cowan**, Clayton (CA)

(73) Assignee: **BRAEBON Medical Corporation**, Kanata, Ontario (CA)

(\*\*) Term: **14 Years**

(21) Appl. No.: **29/327,549**

(22) Filed: **Nov. 7, 2008**

**Related U.S. Application Data**

(62) Division of application No. 29/283,430, filed on Aug. 14, 2007, now Pat. No. Des. 590,058.

(51) **LOC (9) Cl.** ..... **29-02**

(52) **U.S. Cl.** ..... **D24/110**

(58) **Field of Classification Search** ..... D24/110, D24/110.5, 110.6; 128/207.18, 200.26, 206.11, 128/205.24, 204.18; 604/94.01

See application file for complete search history.

(56) **References Cited**

**U.S. PATENT DOCUMENTS**

D262,322 S	12/1981	Mizerak	
4,915,105 A *	4/1990	Lee	128/205.27
7,156,097 B2	1/2007	Cardoso	
D559,383 S	1/2008	Nalagatla et al.	
7,337,780 B2	3/2008	Curti et al.	
7,422,014 B1 *	9/2008	Smith	128/204.23
2005/0199242 A1 *	9/2005	Matula et al.	128/207.13
2006/0278232 A1	12/2006	Nichols	
2006/0283463 A1	12/2006	Curti et al.	
2008/0041393 A1	2/2008	Bracken	
2008/0142012 A1	6/2008	Farnsworth et al.	
2008/0216841 A1 *	9/2008	Grimes et al.	128/207.18

\* cited by examiner

*Primary Examiner*—Ian Simmons

*Assistant Examiner*—Christopher Lee

(74) *Attorney, Agent, or Firm*—Anne Kinsman; Borden Ladner Gervais LLP

(57) **CLAIM**

The ornamental design for an airflow sensor for use with a cannula, as shown and described.

**DESCRIPTION**

FIG. 1 shows a perspective view of the airflow sensor of the present invention for use with a cannula;

FIG. 2 shows a perspective view of a second embodiment of the airflow sensor of the present invention for use with a cannula;

FIG. 3 shows a front view of the airflow sensor of the present invention;

FIG. 4 shows a front view of the airflow sensor of the second embodiment;

FIG. 5 shows a top view of the airflow sensor of the present invention;

FIG. 6 shows a top view of the airflow sensor of the second embodiment;

FIG. 7 shows a bottom view of the airflow sensor of the present invention;

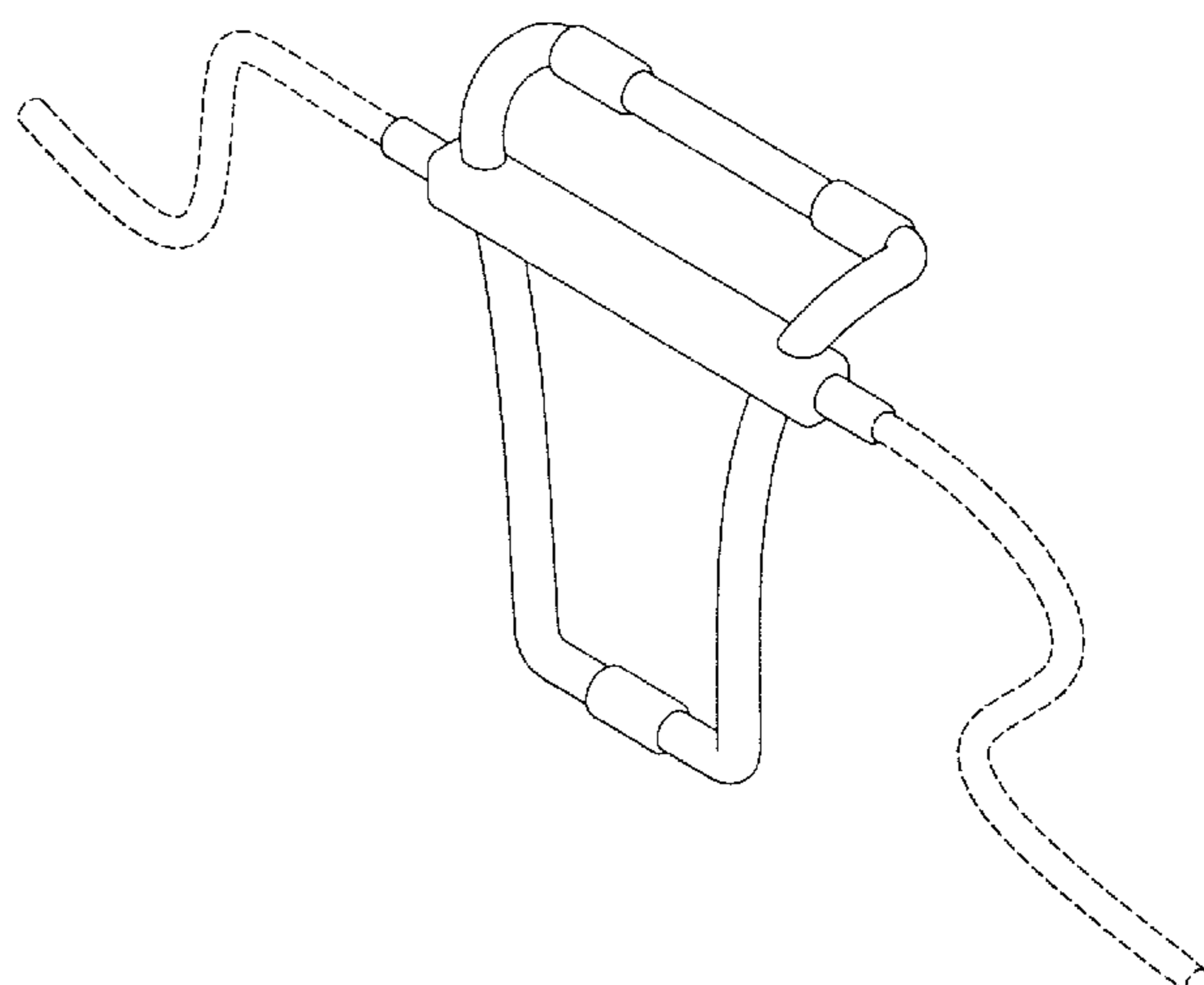
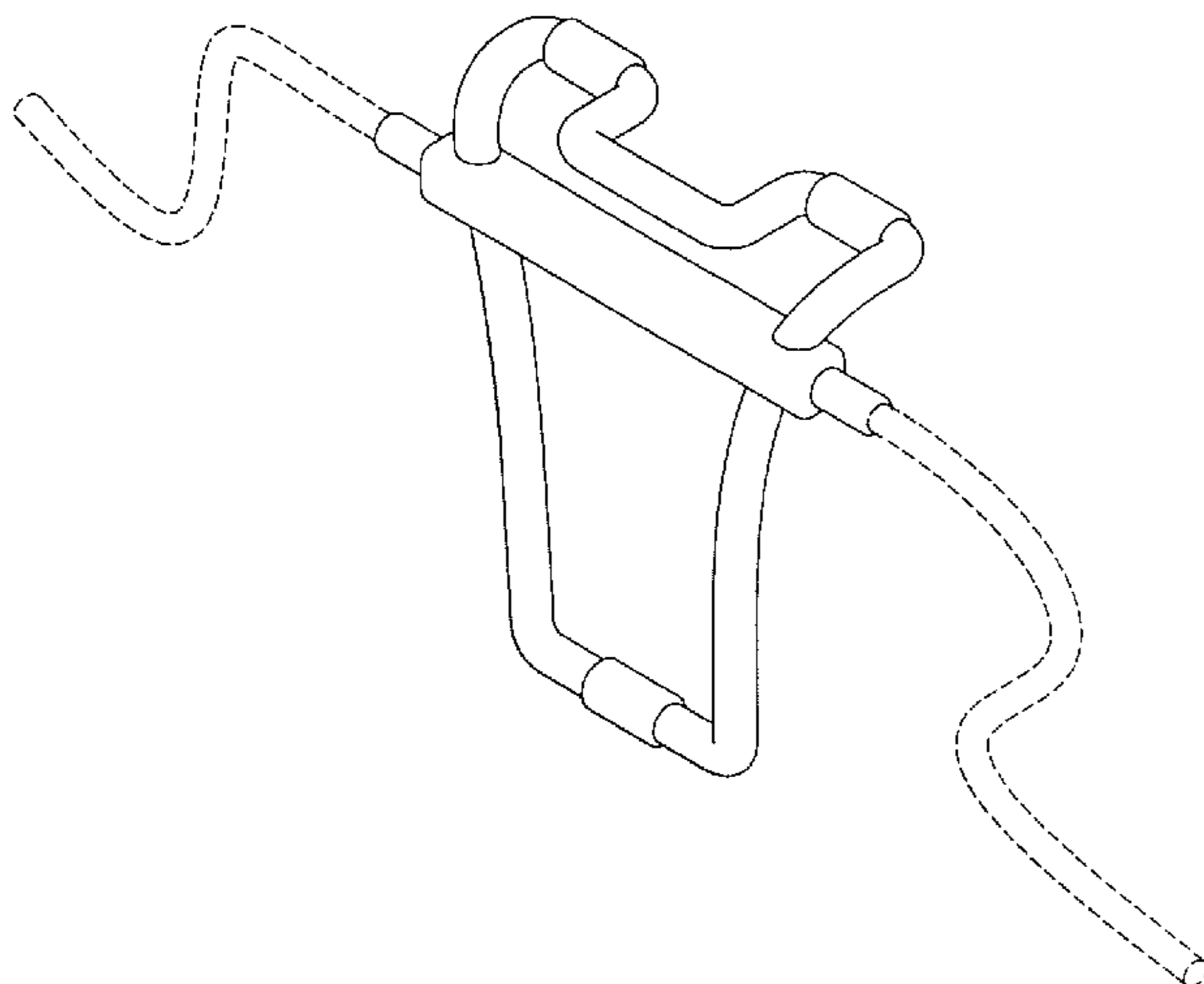
FIG. 8 shows a bottom view of the airflow sensor of the second embodiment;

FIG. 9 shows a left side view of the airflow sensor of the present invention, the right side view being a mirror image; and,

FIG. 10 shows a left side view of the airflow sensor of the second embodiment, the right side view being a mirror image.

The broken line showing of wires for communicating airflow sensor information is for the purpose of illustrating environmental structure and forms no part of the claimed design.

**1 Claim, 10 Drawing Sheets**



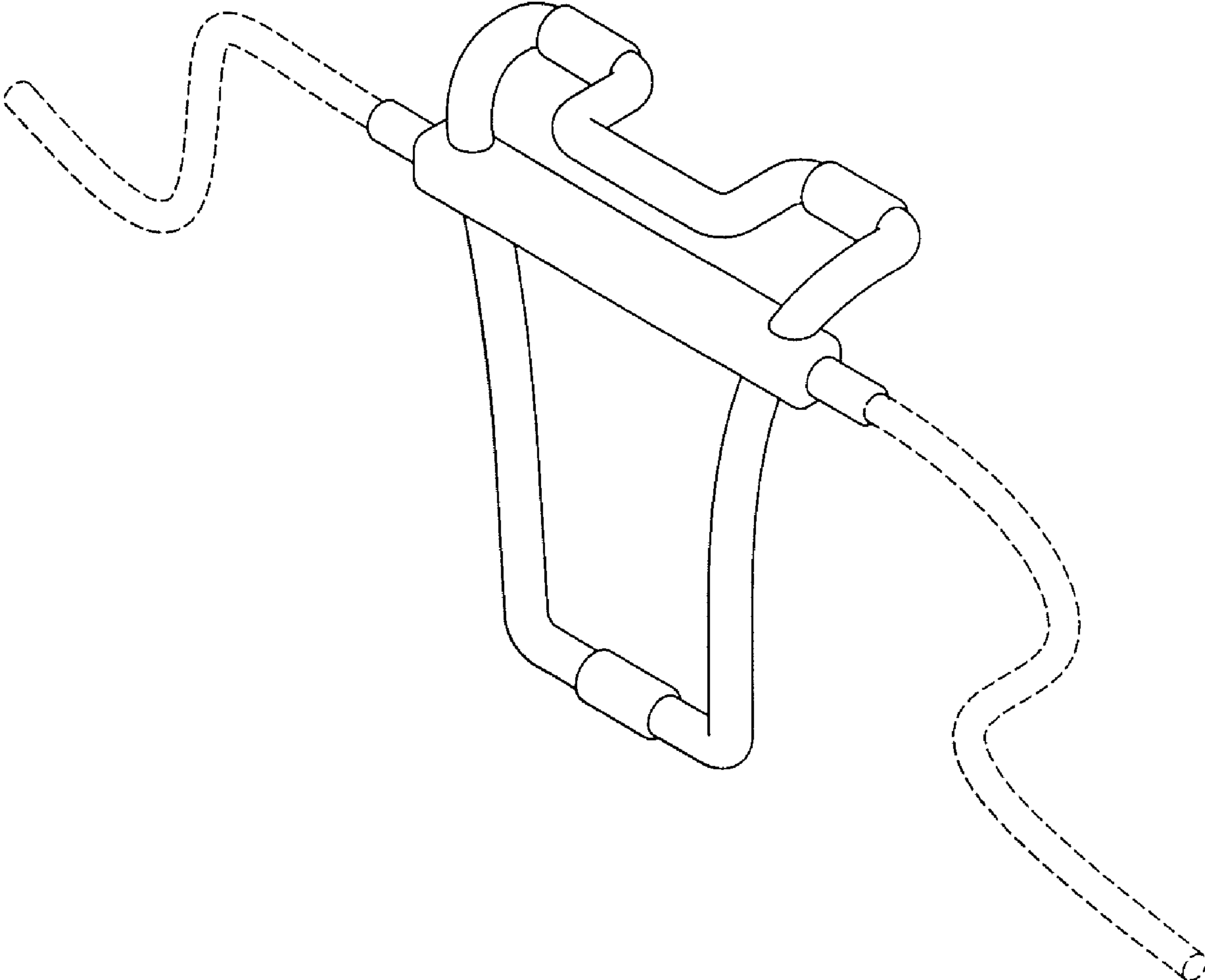


Fig. 1

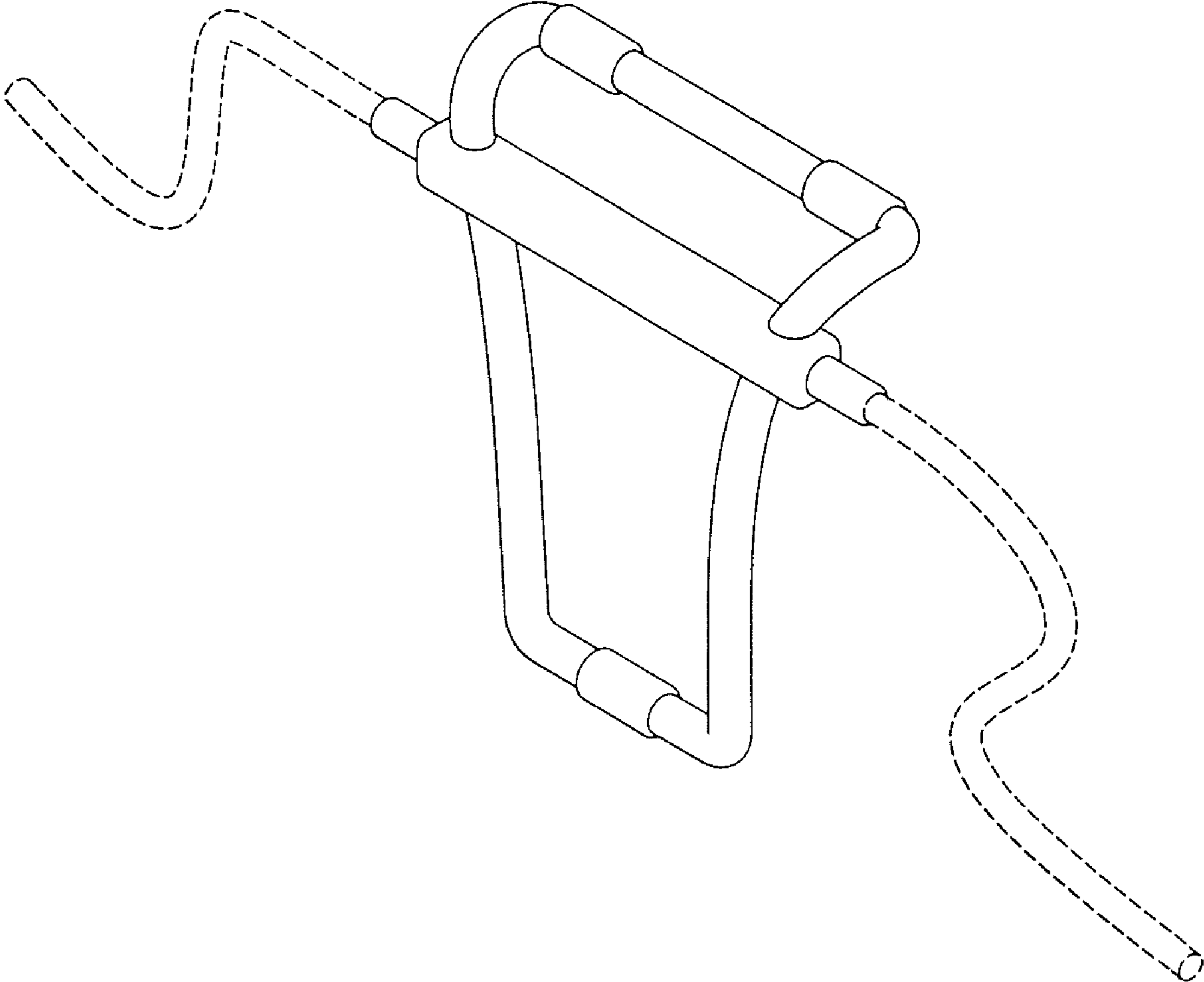


Fig. 2

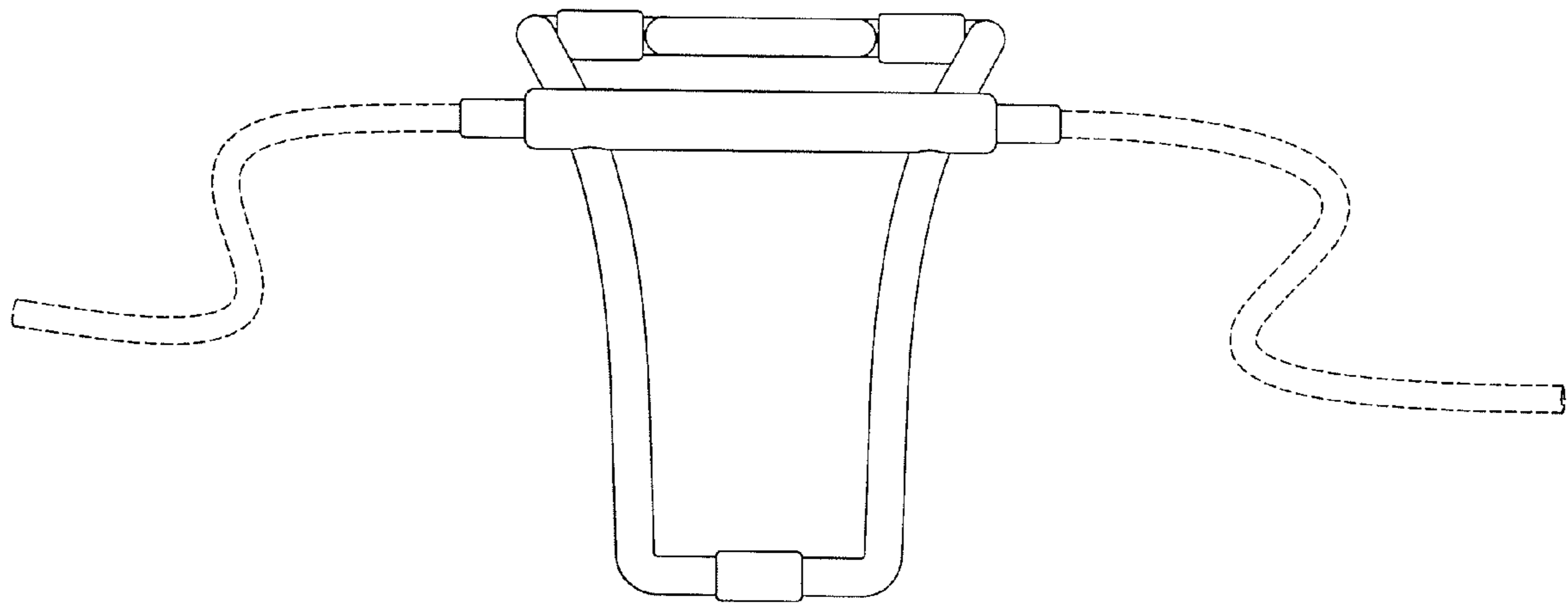


Fig. 3

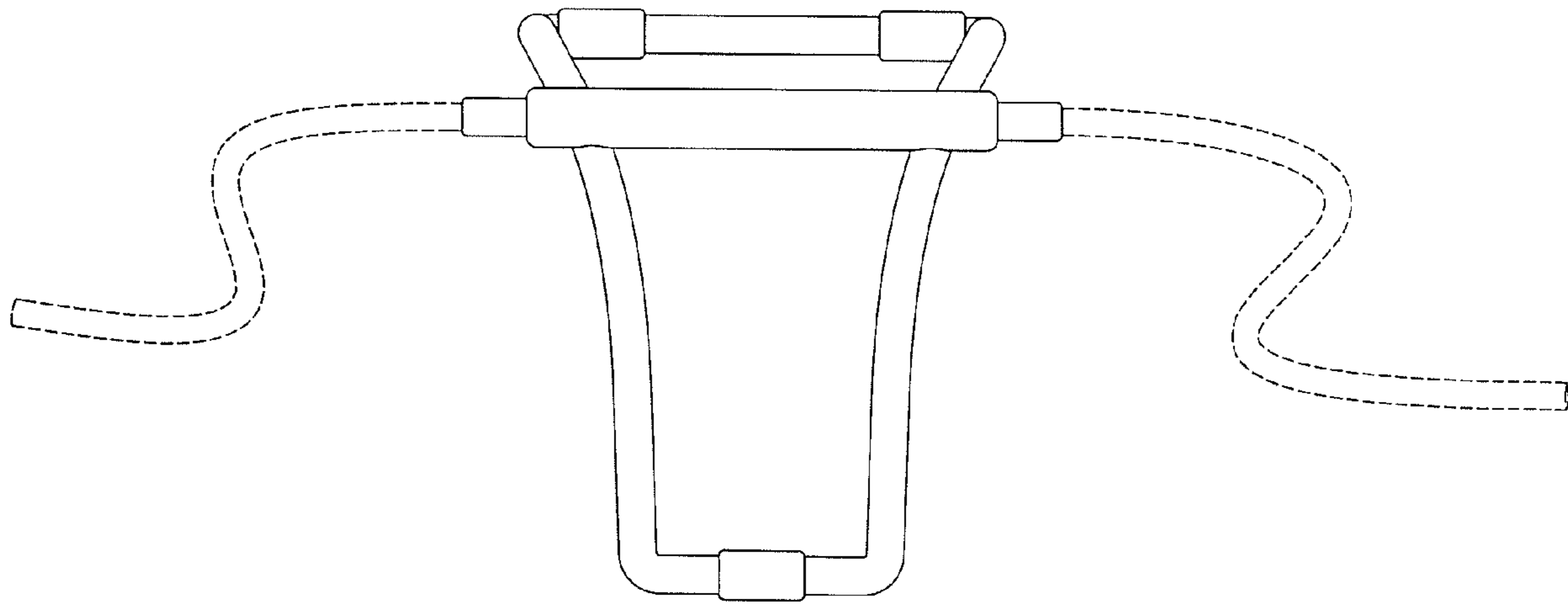


Fig. 4

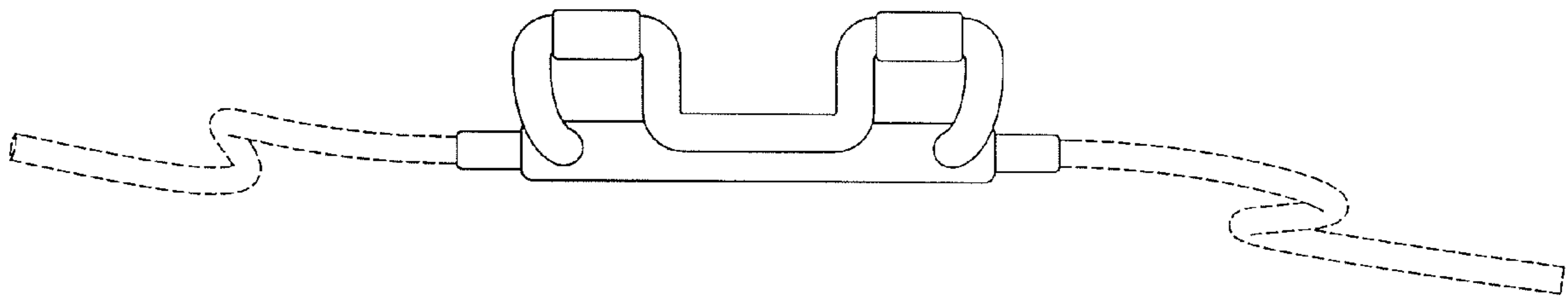


Fig. 5

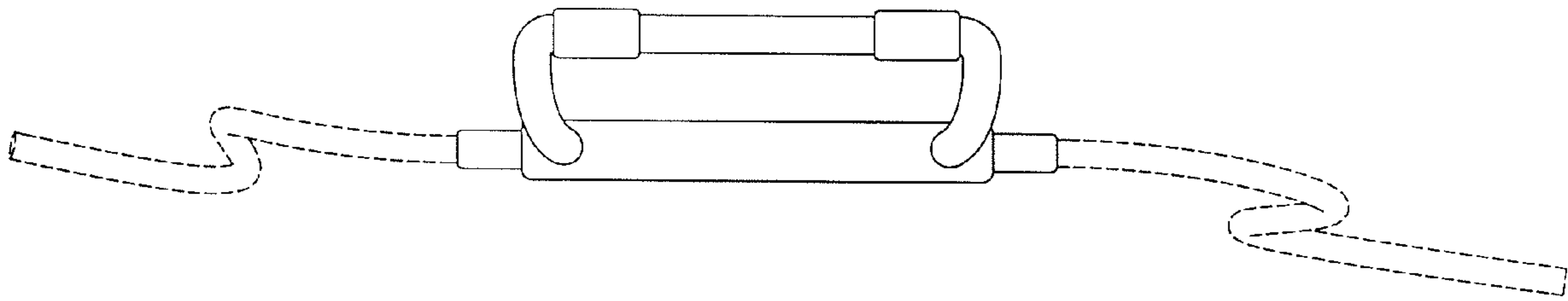


Fig. 6

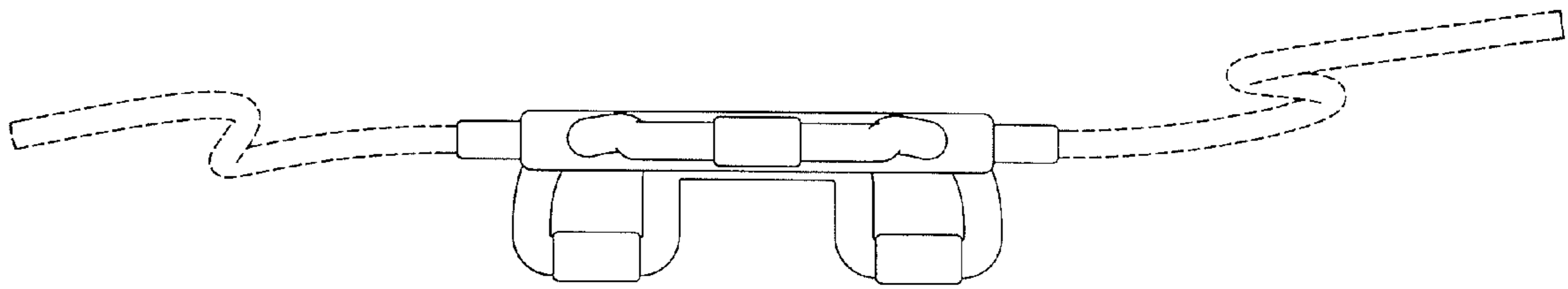


Fig. 7



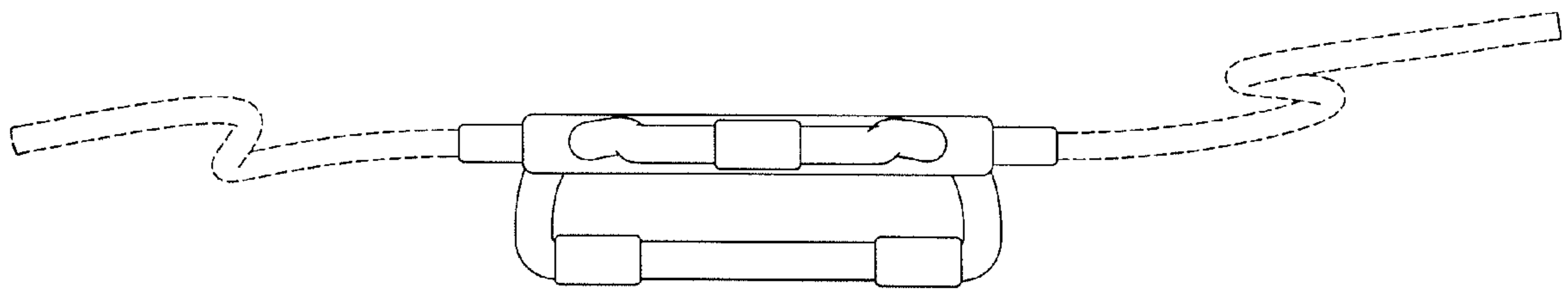


Fig. 8

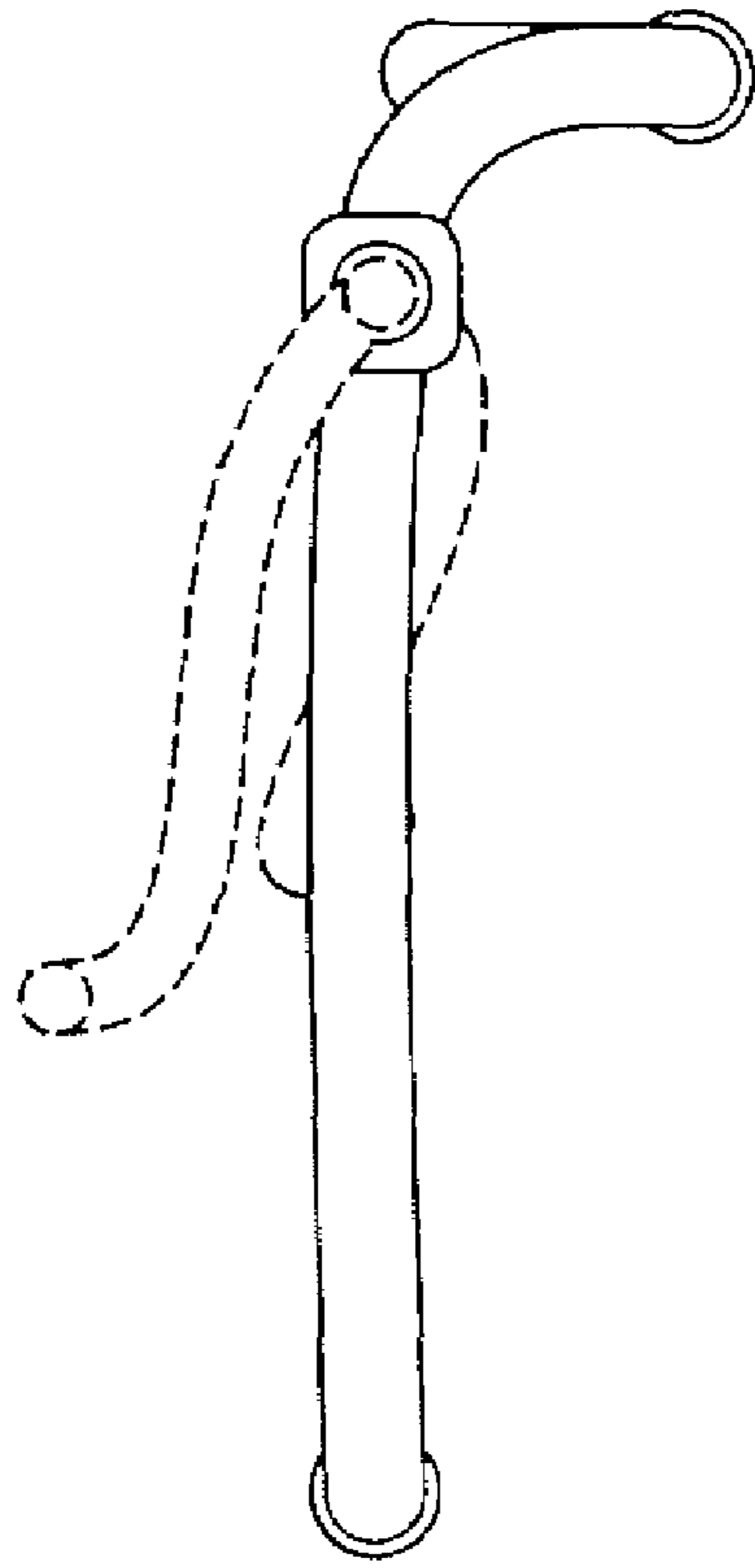


Fig. 9

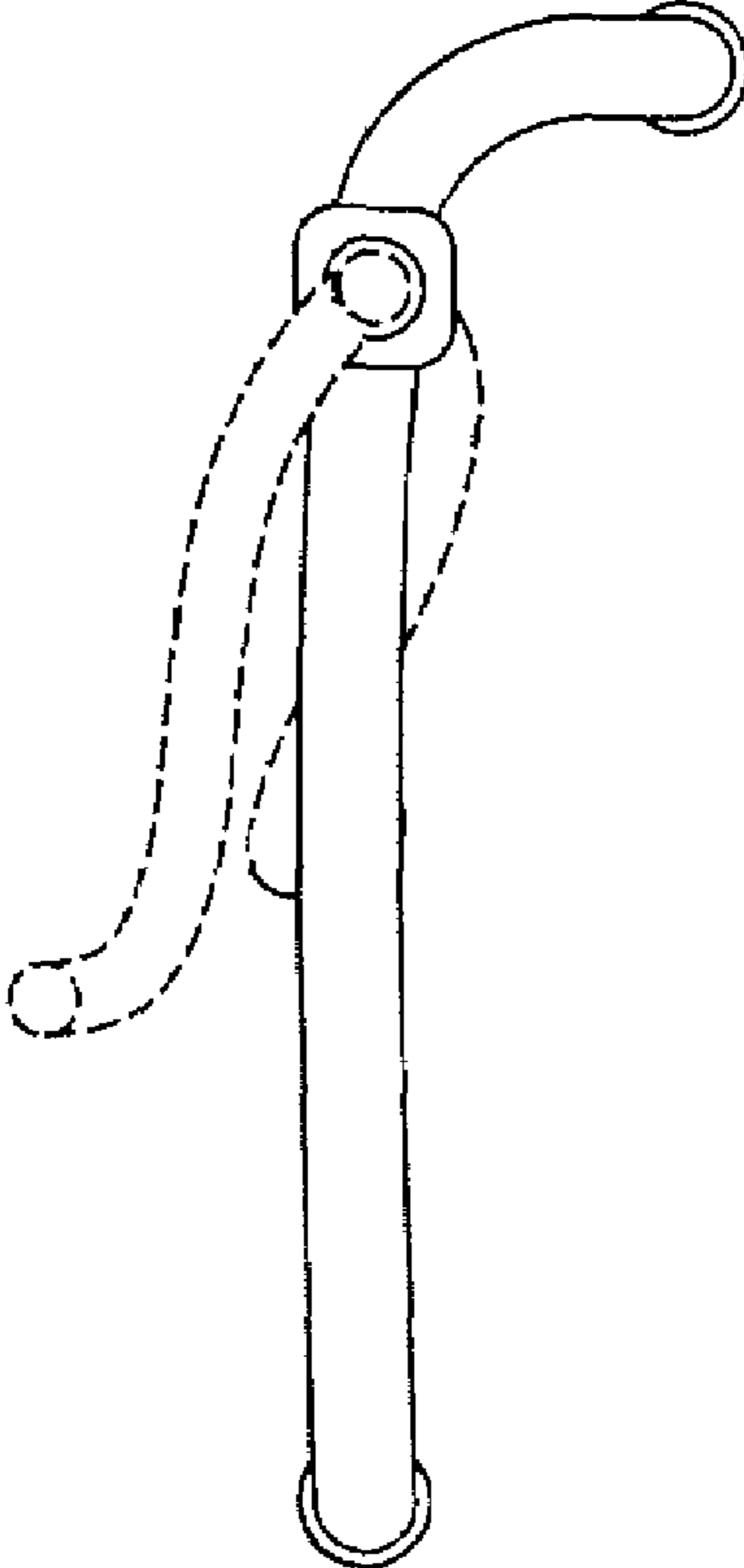


Fig. 10